



SPECIFICATIONS

Model Number	RF44	RF5A RF5C RF6A RF6C
Test Voltage (kV Peak) 60 Hz	6	8
Rated Operating Voltage (kV Peak)		
DC or 60 Hz	3.6	7.5
2.5 MHz	3.6	7.5
16 MHz	3.2	7
32 MHz	2.5	5
Continuous Current, Carry (Amps, RMS)		
DC or 60 Hz	12	12
2.5 MHz	10	10
16 MHz	6	5
32 MHz	5	2
Contact Capacitance (pF) Between Open Contacts	1.6	1.6
Open Contacts to Ground	1.6	1.6
Contact Resistance (mΩ)	12	12
Operate Time (ms. Max.)	4	12
Release Time (ms. Max.)	N/A	12
Pull-in Voltage @ 25° C 26.5 VDC Coil	16	16
12 VDC Coil	N/A	8
Dropout Voltage @ -55 to 125° C 26.5 VDC Coil	N/A	1-10
12 VDC Coil	N/A	1-5
Coil Resistance (Ohms ± 10%) 26.5 VDC Coil	80	920
12 VDC Coil	N/A	205
Shock, 1/2 Sine 11 ms. (Peak g's)	50	30
Vibration, Peak g's 55-1000 Hz	30	10
1000-2000 Hz	30	N/A
Expected Mechanical Life Cycles (X10 ⁶)	1	1
Weight, Ounces (Grams) Max.	1 (28)	1 (28)

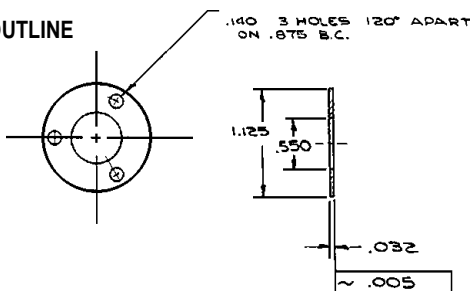
MILITARY CROSS REFERENCE

Model Number	Military Specification	Military Drawing
RF5AD-26S	MIL-R-83725	M83725/18-001
RF5A-26S	MIL-R-83725	M83725/18-002

FLANGE CROSS REFERENCE

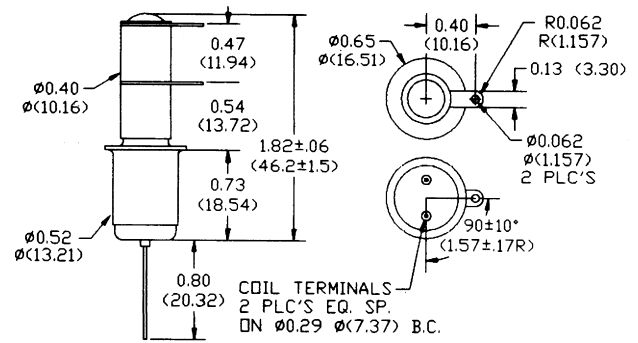
Model Number	Flange Version
RF44-26S	RF44D-26S
RF5A-26S	RF5AD-26S
RF6A-26S	RF6AD-26S

FLANGE OUTLINE



8 kV

- **RF5A-26S**
N/C, ground isolated.
- **RF5C-12S**
12 VDC version of RF5A.
- **RF6A-26S**
N/O version of RF5A.
- **RF6C-12S**
12 VDC version of RF6A.



6 kV

- **RF44-26S**
Latching, ground isolated.
Note: Requires heat sink, consult factory.

