



SPECIFICATIONS

| Model Number | RF4A | RF4B** | RF47 |
|---|-------------|--------|--------|
| Test Voltage (kV Peak) 60 Hz | 10 | | 10 |
| Rated Operating Voltage (kV Peak) | | | |
| DC or 60 Hz | 8 | | 8 |
| 2.5 MHz | 7 | | 8 |
| 16 MHz | 6 | | 6 |
| 32 MHz | 5 | | 5 |
| Continuous Current, Carry (Amps, RMS) | | | |
| DC or 60 Hz | 30 | | 35 |
| 2.5 MHz | 25 | | 35 |
| 16 MHz | 15 | | 18 |
| 32 MHz | 10 | | 12 |
| Contact Capacitance (pF) | | | |
| Between Open Contacts | 4.0 | | 1.6 |
| Open Contacts to Ground | 4.0 | | 1.6 |
| Contact Resistance (mΩ) | 15 | | 4 |
| Operate Time (ms. Max.) | 18,10** | | 4 |
| Release Time (ms. Max.) | 18, N/A** | | N/A |
| Pull-in Voltage @ 25° C | | | |
| 26.5 VDC Coil | 16 | | 16 |
| Dropout Voltage @ -55 to 125° C | | | |
| 26.5 VDC Coil | 1-10, N/A** | | N/A |
| Coil Resistance (Ohms ± 10%) | | | |
| 26.5 VDC Coil | 156, 6.7** | | 80 |
| Shock, 1/2 Sine 11 ms. (Peak g's) | 50 | | 50 |
| Vibration, Peak g's 55-2000 Hz | 10 | | 30 |
| Expected Mechanical Life Cycles (X10 ⁶) | 1 | | 1 |
| Weight, Ounces (Grams) Max. | 2 (57) | | 1 (28) |

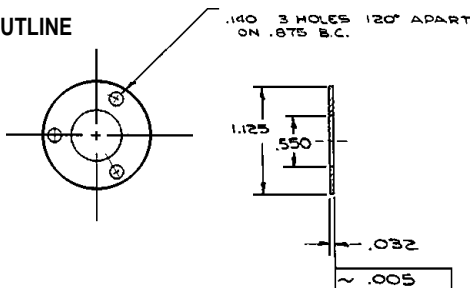
FLANGE CROSS REFERENCE

| Model Number | Flange Version |
|--------------|----------------|
| RF47-26S | RF47D-26S |

OPTIONAL COILS

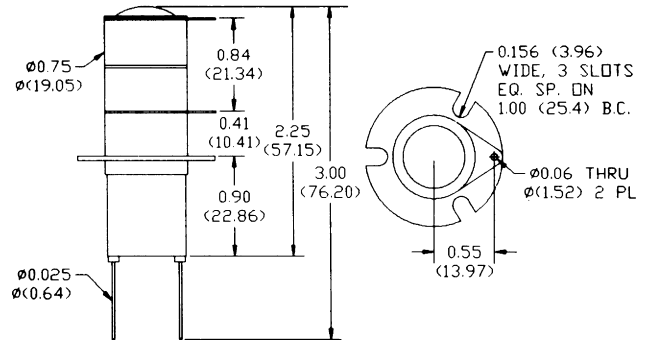
| Model Number | 55 Vdc Coil Resistance (Ohms ± 10%) |
|--------------|--|
| RF4A | 520 |

FLANGE OUTLINE



10 kV

- **RF4A-26S**
N/C, ground isolated. High current ratings. Flange Mount.
- **RF4B-26S**
Latching version of RF4A.



10 kV

- **RF47-26S**
Latching, ground isolated. High current rating. Note: Requires heat sink, consult factory.

