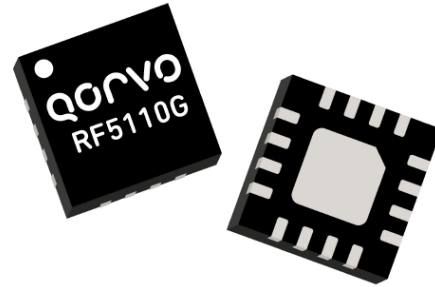


### Product Overview

The RF5110G is a high-power, high-gain, high-efficiency power amplifier. The device is manufactured with an advanced GaAs HBT process. It is designed for use as the final RF amplifier in GSM hand-held equipment in 900 MHz band, and General-Purpose radio application in standard sub-bands from 150 MHz to 960 MHz. An analog on-board power controller provides over 70 dB range of adjustment. Which allows for power down with a voltage equals to the logic “Low” to set the device in standby mode. The RF5110G RF Input is internally matched to 50 Ω. On its RF Output, it can be easily matched externally to obtain optimum power and efficiency for certain applications.



16 Pad 3 x 3 mm QFN Package

### Key Features

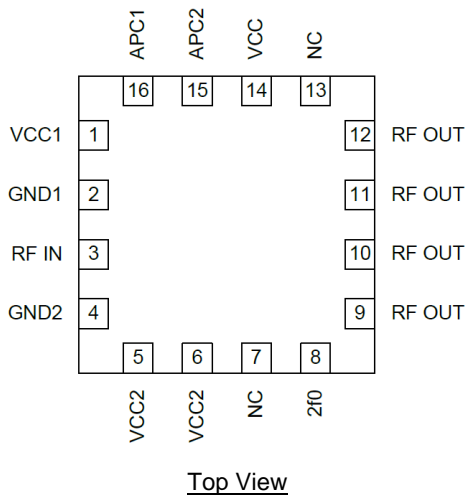
**General Purpose:**

- Single 2.8 V to 3.6 V Supply
- +32 dBm Output Power
- 53% Efficiency
- 150 MHz to 960 MHz Operation

**GSM:**

- Single 2.7 V to 4.8 V Supply
- +36 dBm Output Power at 3.6 V
- 32 dB Gain with Analog Gain Control
- 57% Efficiency
- 800 MHz to 950 MHz Operation
- Supports GSM and E-GSM

### Functional Block Diagram



### Applications

- FM Radio Applications  
150 MHz/220 MHz/450 MHz  
865 MHz to 928 MHz
- 3 V GSM Cellular Handsets
- GPRS Compatible

### Ordering Information

Part No.	Description
RF5110GTR7	2,500 pieces on a 7" reel (standard)
RF5110GPCK-410	GSM900 Fully Tested Evaluation Board

## Absolute Maximum Ratings

Parameter	Rating
Storage Temperature	-55 °C to +150 °C
Device Voltage ( $V_{CC}$ , $V_{CC1}$ , $V_{CC2}$ )	-0.5 V to +6.0 V
Control Voltage ( $V_{APC1}$ , $V_{APC2}$ )	-0.5 V to +3.0 V
Device Current ( $I_{CC}$ , $I_{CC1}$ , $I_{CC2}$ )	2400 mA
RF Input Power	+13 dBm
Duty Cycle at Max Power	50%

Exceeding any one or a combination of the Absolute Maximum Rating conditions may cause permanent damage to the device. Extended application of Absolute Maximum Rating conditions to the device may reduce device reliability. This rating specified for GSM operation.

## Recommended Operating Conditions

Parameter	Min	Typ	Max	Units
Device Voltage ( $V_{CC}$ , $V_{CC1}$ , $V_{CC2}$ )		+3.5		
	+2.7		+4.8 <sup>(1)</sup>	V
			+5.5 <sup>(1)(2)</sup>	V
$T_{CASE}$	-40		+85	°C
$T_J$			+150	°C

Note:

- $P_{OUT} < +35$  dBm
- With maximum output load VSWR 6:1

Electrical specifications are measured at specified test conditions. Specifications are not guaranteed over all recommended operating conditions.

## Electrical Specifications

Parameter	Conditions <sup>(1)</sup>	Min	Typ	Max	Units
Output Power	150 MHz		32		dBm
Gain			31.5		dB
Efficiency			53		%
Output Power	220 MHz		32		dBm
Gain			32		dB
Efficiency			52		%
Output Power	450 MHz; $V_{CC}$ , $V_{CC1}$ and $V_{CC2} = 3.0$ V		32		dBm
Gain			32.5		dB
Efficiency			50.5		%
Output Power	865 MHz to 928 MHz Equals typical at respective frequency corner		32		dBm
Gain		33.0		29.5	dB
Efficiency			49		%

Notes:

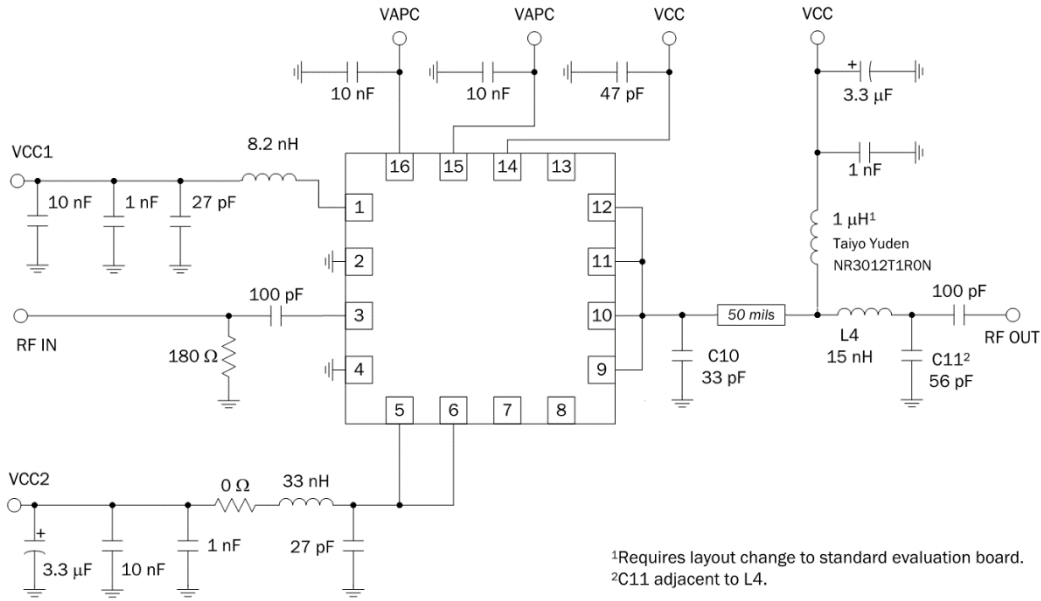
- Test conditions unless otherwise noted:  $V_{APC1}$  and  $V_{APC2} = 2.8$  V;  $V_{CC}$ ,  $V_{CC1}$  and  $V_{CC2} = 3.3$  V; Duty Cycle = 100%; Temp = +25 °C; 50  $\Omega$  system; Refer to application circuits

## Electrical Specifications (continue)

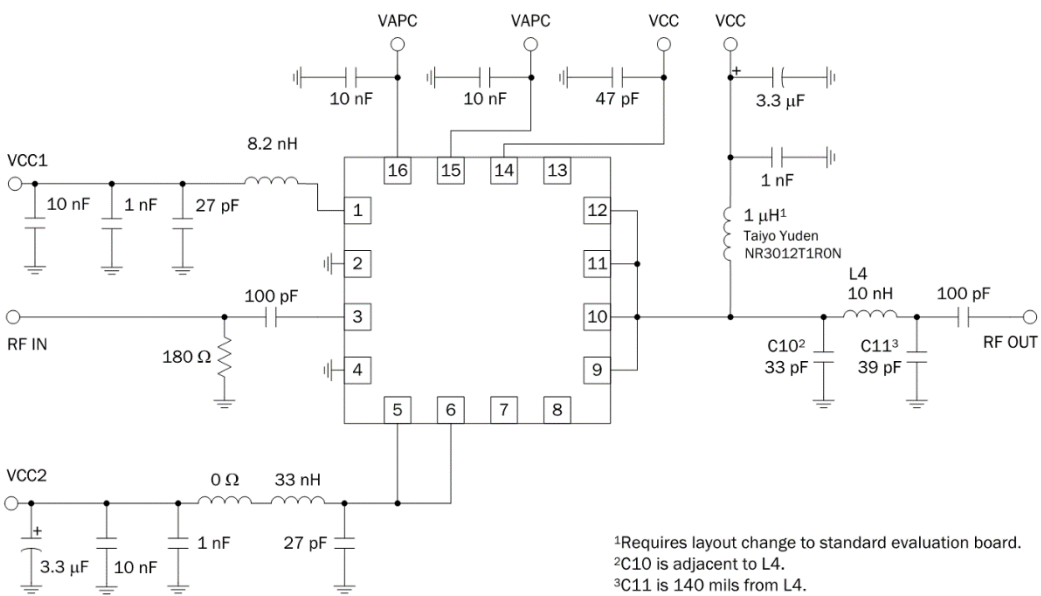
Parameter	Conditions <sup>(1)</sup>	Min	Typ	Max	Units
Operational Frequency Range		880		915	MHz
Usable Frequency Range	Using different EVB tune	800		950	MHz
Maximum Output Power		33.8	34.5		dBm
	Temp = +60 °C, V <sub>CC</sub> , V <sub>CC1</sub> and V <sub>CC2</sub> = 3.3 V	33.1			dBm
Efficiency	At Maximum Output Power	50	57		%
	P <sub>OUT</sub> = +20 dBm		12		%
	P <sub>OUT</sub> = +10 dBm		5		%
Input Power for Max. Output		4.5	7.0	9.5	dBm
Output Noise Power	RBW = 100 KHz; 925-935 MHz; V <sub>CC</sub> , V <sub>CC1</sub> and V <sub>CC2</sub> = 3.3 to 5.0V			-72	dBm
	RBW =100 KHz; 935-960 MHz; V <sub>CC</sub> , V <sub>CC1</sub> and V <sub>CC2</sub> = 3.3 to 5.0V			-81	dBm
Forward Isolation	Standby Mode V <sub>APC1</sub> and V <sub>APC2</sub> = 0.3 V, P <sub>IN</sub> = +9.5 dBm			-22	dBm
Second Harmonic	P <sub>IN</sub> = +9.5 dBm		-20	-7	dBm
Third Harmonic	P <sub>IN</sub> = +9.5 dBm		-25	-7	dBm
Non-Harmonic Spurious				-36	dBm
Input Impedance			50		Ω
Optimum Source Impedance	For best noise performance		40 + j10		Ω
Input VSWR	(P <sub>OUT, MAX</sub> - 5 dB) < P <sub>out</sub> < P <sub>OUT,MAX</sub>			2.5:1	
	P <sub>OUT</sub> < (P <sub>OUT,MAX</sub> - 5 dB)			4.0:1	
Output Load VSWR, Stability	Spurious < -36dBm, RBW=100KHz V <sub>APC1</sub> and V <sub>APC2</sub> from 0.3 V to 2.6 V	8:1			
Output Load VSWR, Ruggedness	No damage	10:1			
Output Load Impedance	Load Impedance presented at RF OUT pad		2.6 – j1.5		Ω
Power Control "ON" Voltage	V <sub>APC1</sub> , V <sub>APC2</sub> ; Maximum P <sub>OUT</sub>	2.6			V
Power Control "OFF" Voltage	V <sub>APC1</sub> , V <sub>APC2</sub> ; Minimum P <sub>OUT</sub>	0.2	0.5		V
Gain Control Range	V <sub>APC1</sub> and V <sub>APC2</sub> from 0.2 V to 2.6 V	75			dB
Gain Control Slope	P <sub>OUT</sub> from -10 dBm to +35 dBm	5	100	150	dB/V
APC Input Capacitance	DC to 2 MHz			10	pF
APC Input Current	V <sub>APC1</sub> and V <sub>APC2</sub> = 2.8V		4.5	5	mA
	V <sub>APC1</sub> and V <sub>APC2</sub> = 0 V			25	μA
Turn ON/OFF Time	V <sub>APC1</sub> and V <sub>APC2</sub> from 0 V to 2.8V			100	ns
Device Current (I <sub>CC</sub> , I <sub>CC1</sub> , and I <sub>CC2</sub> )	At Maximum Output Power		2		A
	Quiescent, P <sub>IN</sub> < -30dBm	15	200	335	mA
	Standby Mode, P <sub>IN</sub> < -30dBm		1	10	μA
	Standby Mode, P <sub>IN</sub> < -30dBm, Temp = +85°C		1	10	μA
Thermal Resistance	CW Mode, Junction to Case		25.6		°C/W

Notes:  
 1. Test conditions unless otherwise noted: V<sub>APC1</sub> and V<sub>APC2</sub> = 2.8 V; V<sub>CC</sub>, V<sub>CC1</sub> and V<sub>CC2</sub> = 3.6 V; P<sub>IN</sub> = +4.5 dBm; Pulse Width = 1731 μs; Duty Cycle = 37.5%; Temp = +25 °C; 50 Ω system; Refer to RF5110GPK-410 GSM900 evaluation board circuit.

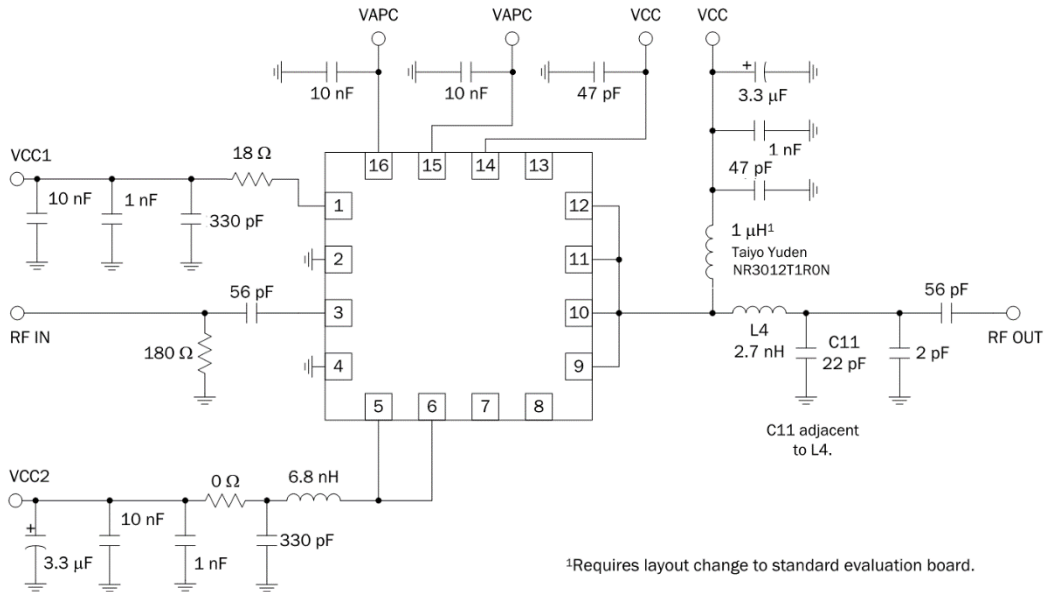
150 MHz FM Band Application Circuit



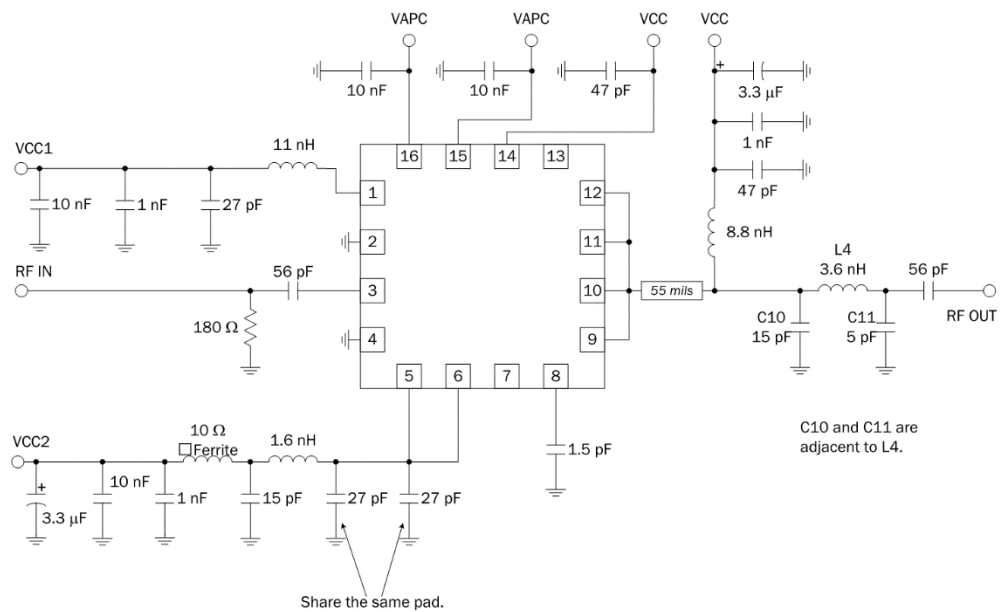
220 MHz FM Band Application Circuit



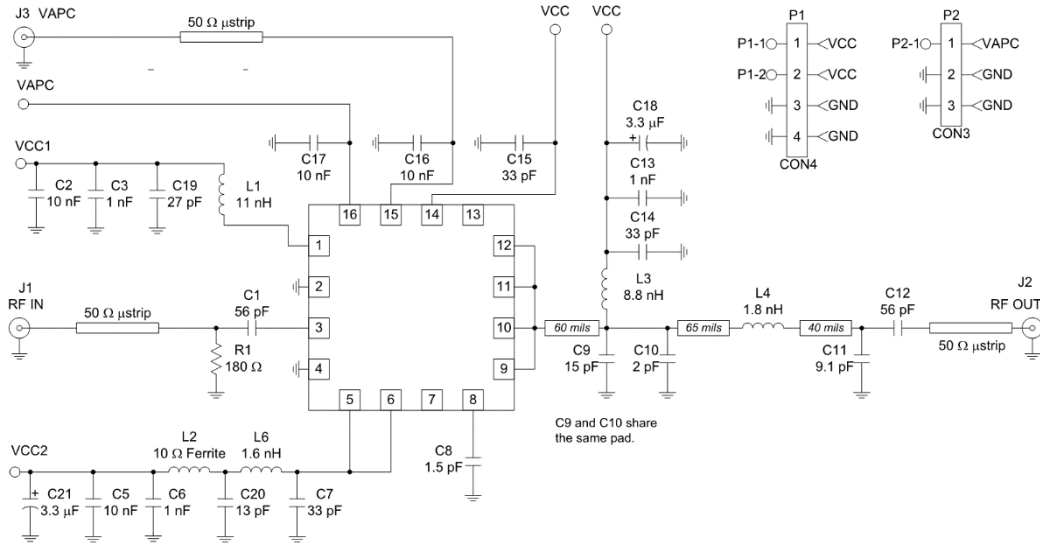
**450 MHz FM Band Application Circuit**



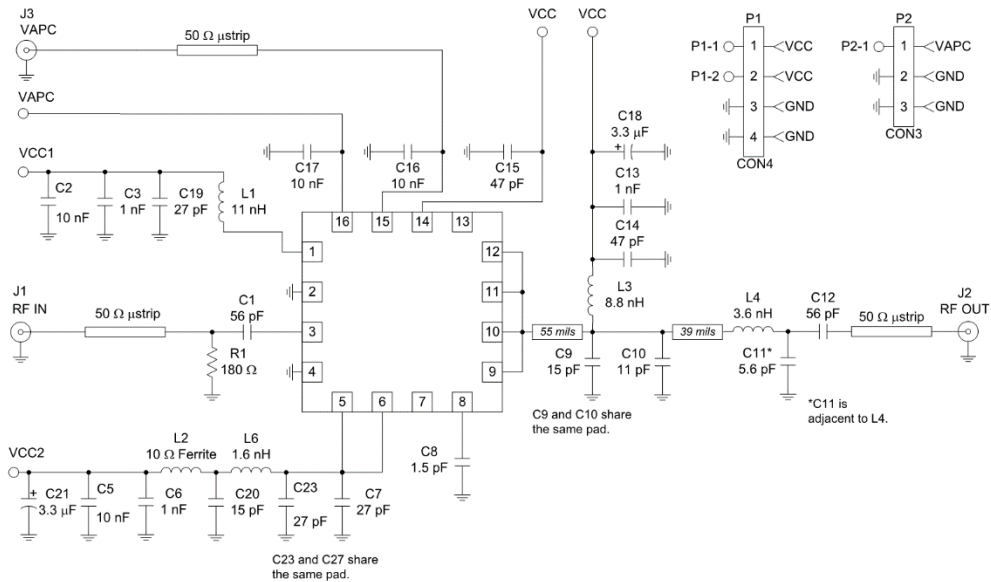
**865 MHz and 902 MHz to 928 MHz ISM Band Application Circuit**



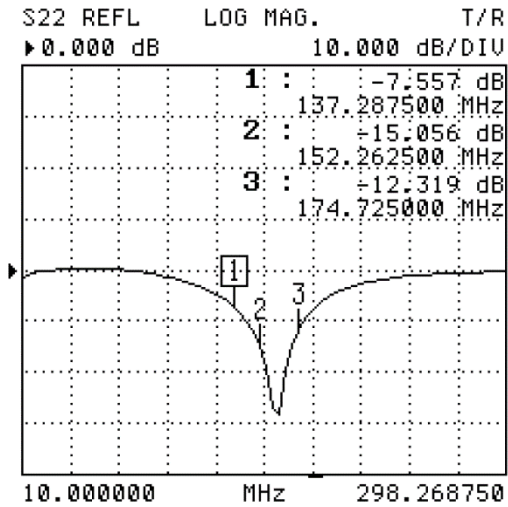
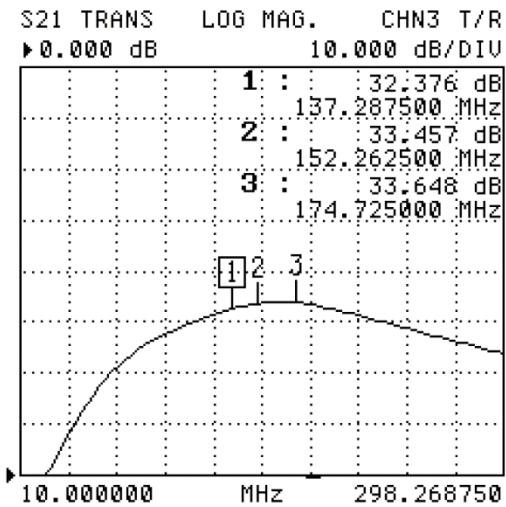
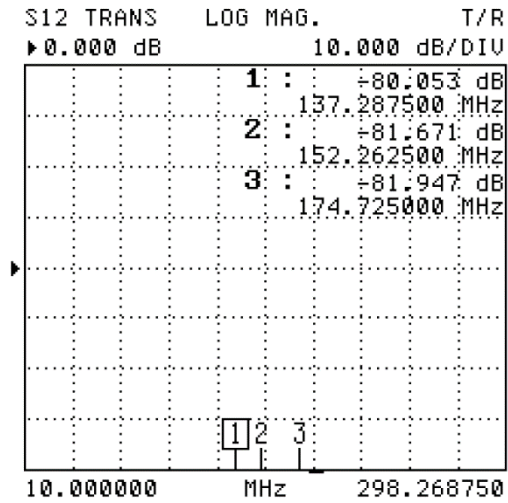
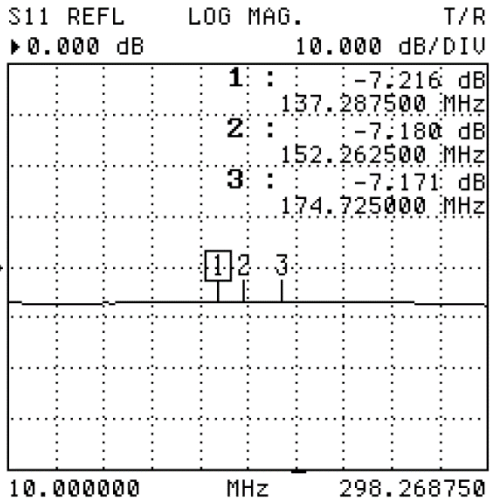
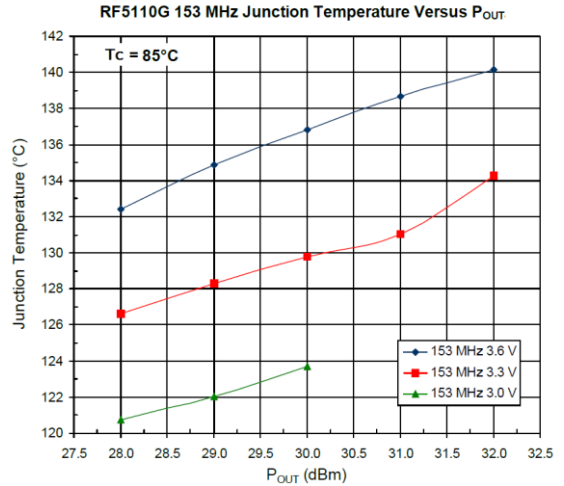
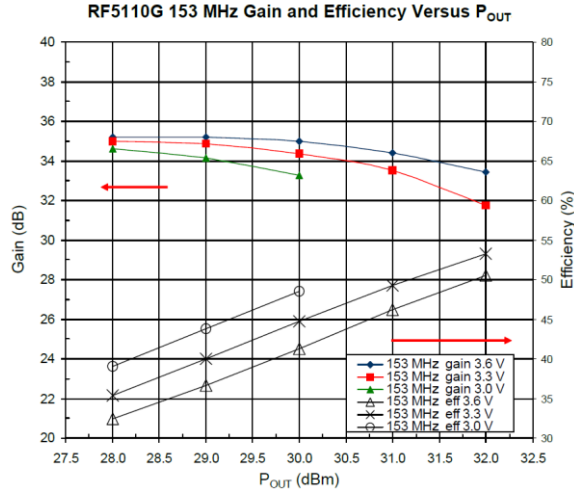
## 850 MHz GSM Band Application Circuit



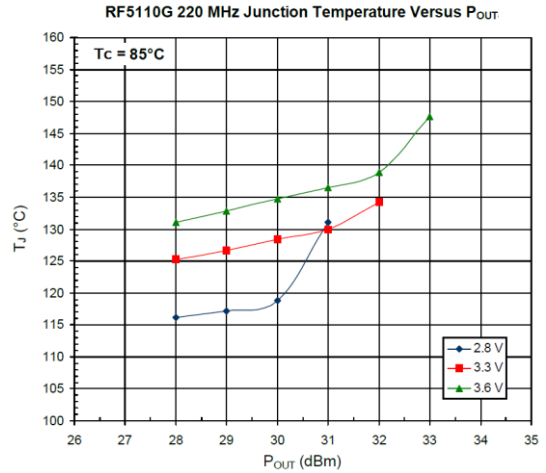
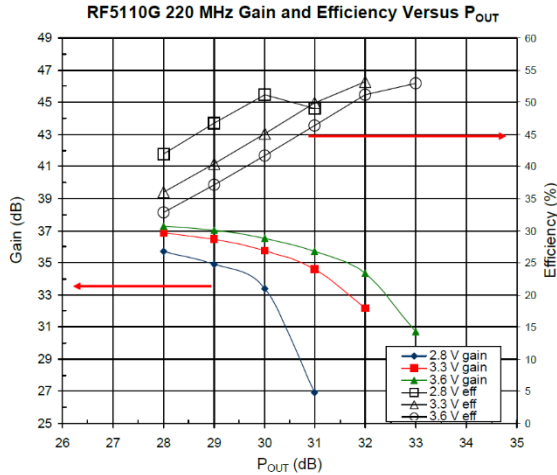
## GSM900 Evaluation Board Circuit, RF5110GPCK-410



Performance Plots – 150 MHz



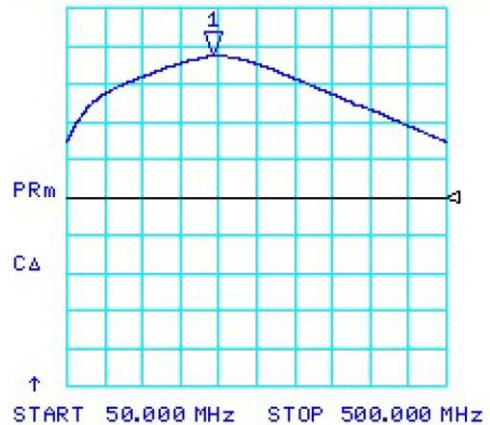
Performance Plots – 220 MHz



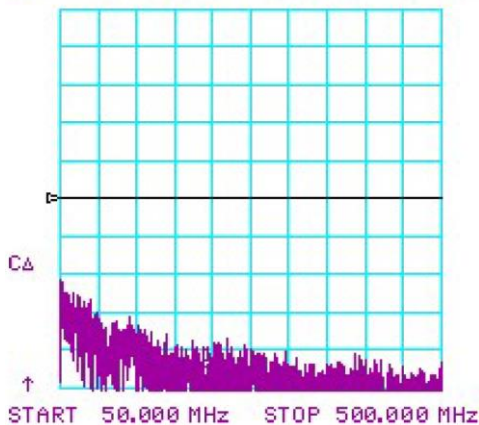
CH1 LOG 10 dB/ REF 0 dB  
S11 1:-7.6950 dB .220 685 000 GHz



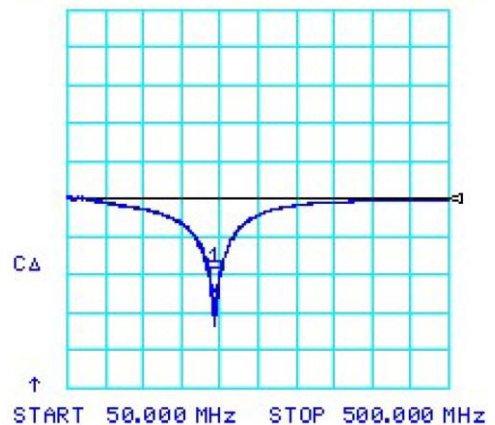
CH2 LOG 10 dB/ REF 0 dB  
S21 1: 37.295 dB .220 685 000 GHz



CH3 LOG 10 dB/ REF 0 dB  
S12 1:-53.175 dB .220 685 000 GHz

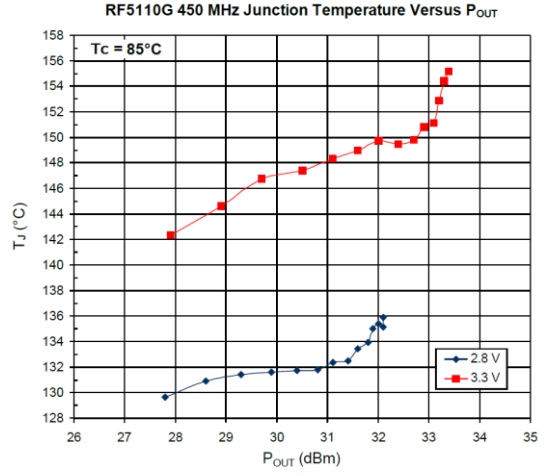
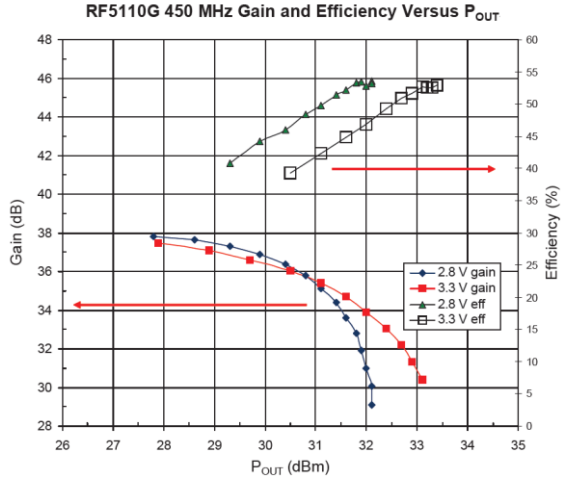


CH4 LOG 10 dB/ REF 0 dB  
S22 1:-24.436 dB .220 685 000 GHz

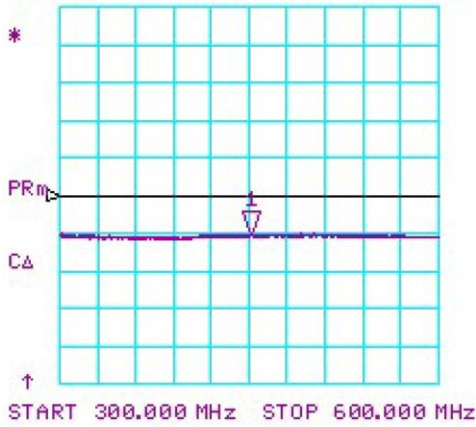




Performance Plots – 450 MHz



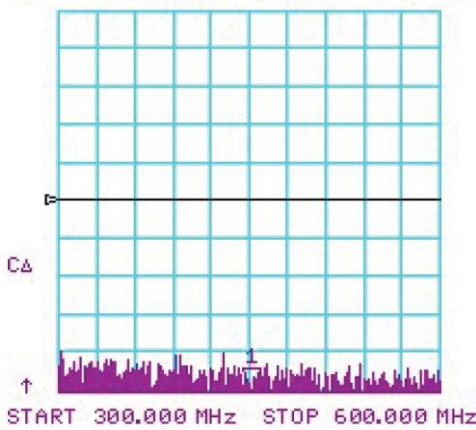
CH1 LOG 10 dB/ REF 0 dB  
S11 1:-10.648 dB .450 000 000 GHz



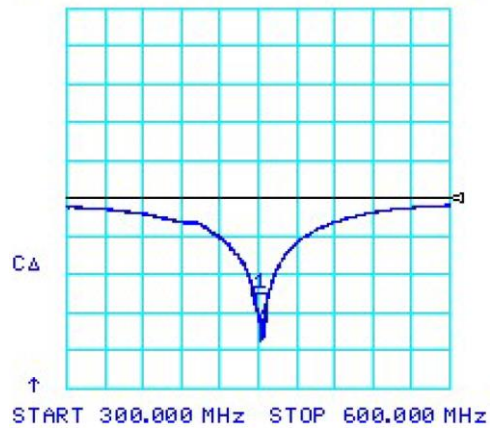
CH2 LOG 10 dB/ REF 0 dB  
S21 1: 37.816 dB .450 000 000 GHz



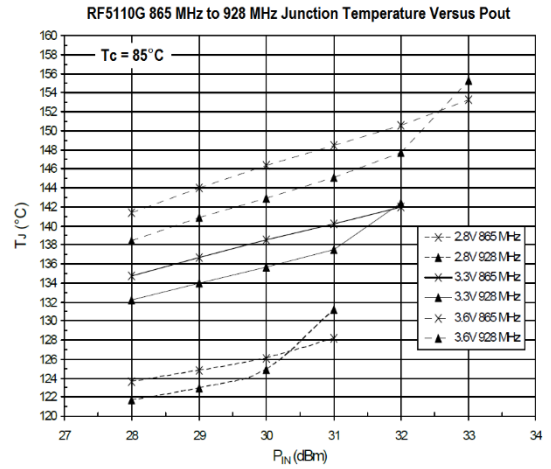
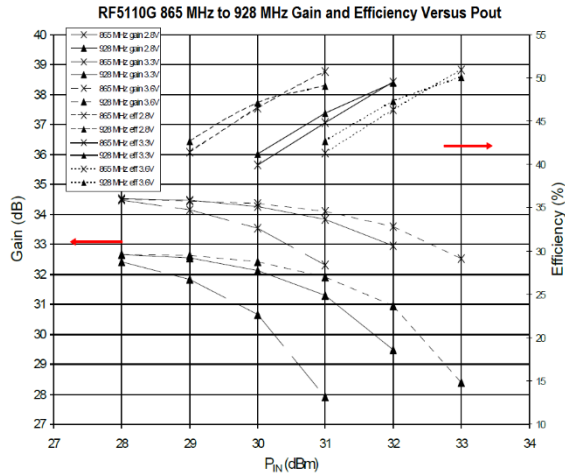
CH3 LOG 10 dB/ REF 0 dB  
S12 1:-53.127 dB .450 000 000 GHz



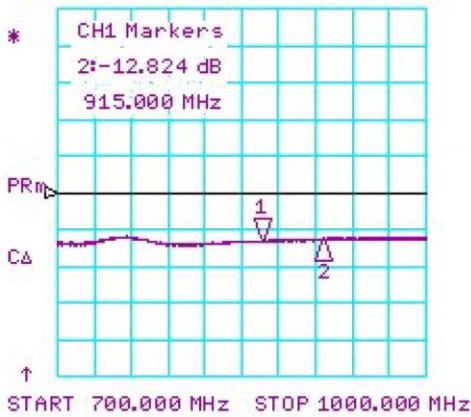
CH4 LOG 10 dB/ REF 0 dB  
S22 1:-31.113 dB .450 000 000 GHz



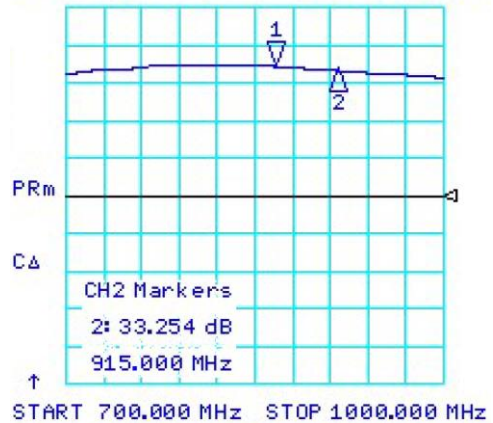
Performance Plots – 865 MHz to 925 MHz



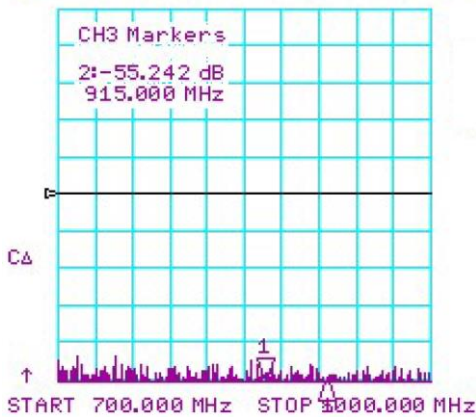
CH1 LOG 10 dB/ REF 0 dB  
S11 1:-13.291 dB .865 000 000 GHz



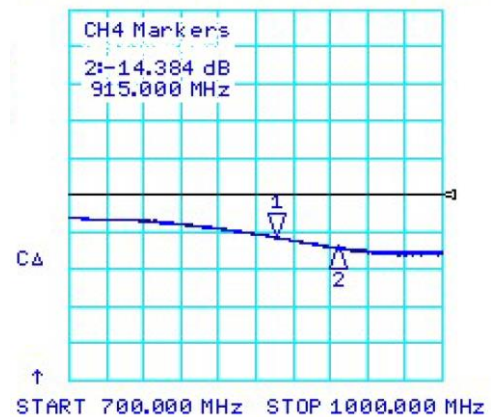
CH2 LOG 10 dB/ REF 0 dB  
S21 1: 34.387 dB .865 000 000 GHz



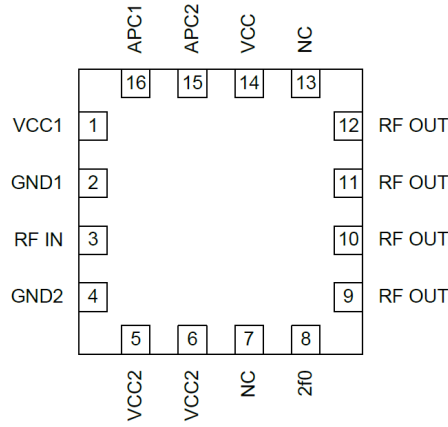
CH3 LOG 10 dB/ REF 0 dB  
S12 1:-64.857 dB .865 000 000 GHz



CH4 LOG 10 dB/ REF 0 dB  
S22 1:-11.314 dB .865 000 000 GHz



## Pad Configuration and Description

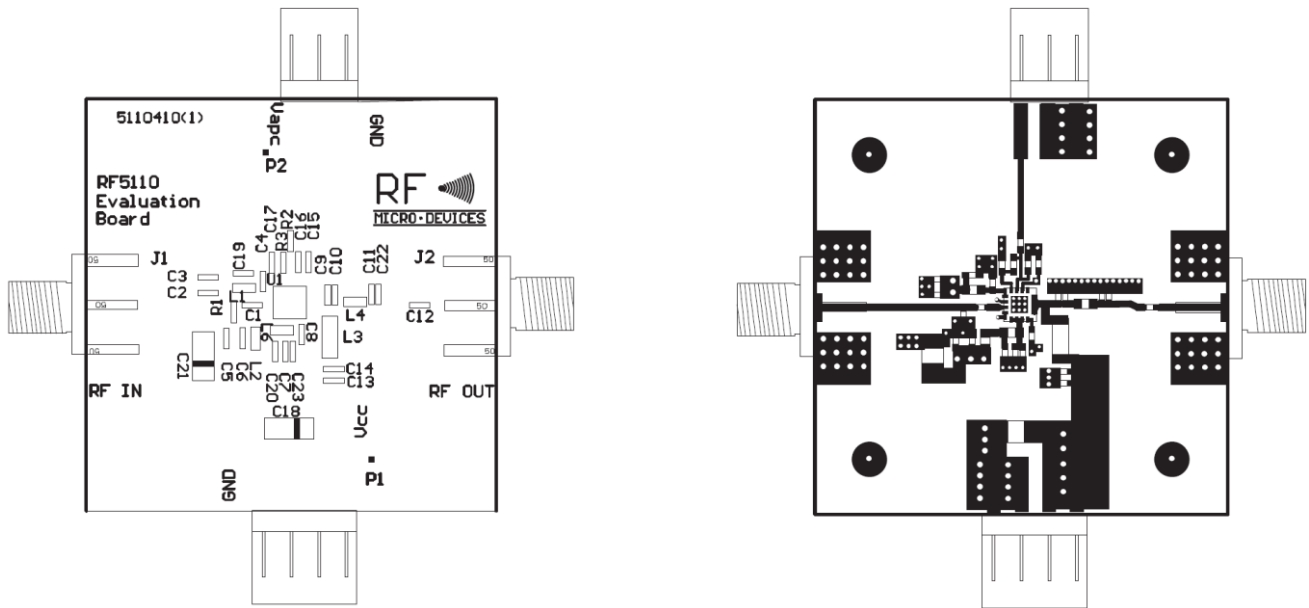


Pad No.	Label	Description	Interface Circuit
1	VCC1	Power supply for the pre-amplifier stage and interstage matching. This pin forms the shunt inductance needed for proper tuning of the interstage match. Refer to the application circuit for proper configuration. Note that position and value of the components are important.	
2	GND1	Ground connection for the pre-amplifier stage. Keep traces physically short and connect immediately to the ground plane for best performance. For stability concert, this pin requires dedicated ground via holes to the ground plane to minimize any common inductance.	
3	RF IN	RF Input. This is a 50Ω input, but the actual impedance could be affected by the interstage matching network connected on pin 1. An external DC blocking capacitor is required.	
4	GND2	Ground connection for the driver stage. To minimize the noise power at the output, it is recommended to connect this pin with a trace of about 40mil long to the ground plane. This will slightly reduce the small signal gain. For stability concert, this pin requires dedicated ground via holes to the ground plane to minimize any common inductance.	
5, 6	VCC2	Power supply for the driver stage and interstage matching. This pin requires a shunt inductance for proper interstage matching. Please refer to the application schematic for proper configuration.	
7, 13	NC	Not connected.	
8	2F0	Connection for the second harmonic trap. This pin is internally connected to the RF OUT pins. With the bonding wire together with an external capacitor form a series resonator. It should provide a second harmonic short termination to improve amplifier efficiency and reduce spurious outputs.	
9, 10, 11, 12	RF OUT	RF Output and power supply for the output stage. Bias voltage for the final stage is provided through this wide output pins. An external matching network is required to provide the optimum performance.	

### Pad Configuration and Description (continue)

Pad No.	Label	Description	Interface Circuit
14	VCC	Power supply for the bias circuits.	
15	APC2	Power Control for the output stage. See pin 16 for more details.	
16	APC1	Power Control for the driver and pre-amplifier stages. When this pin is "low," all circuits shut off. A "low" is typically 0.5V or less at room temperature. A shunt bypass capacitor is required. For a typical power control operation, the $V_{APC1}$ is about 1.0V for -10dBm to 2.6V for +35dBm RF output power. The maximum power that can be achieved depends on the actual output matching; see the application circuit for more details.	
Backside Paddle	GND	RF/DC ground. Ground connection for the output stage. This pad should be connected to the ground plane by ground via holes directly under the device. A short path is required to obtain optimum performance, as well as to provide a good thermal path to the PCB for maximum heat dissipation.	

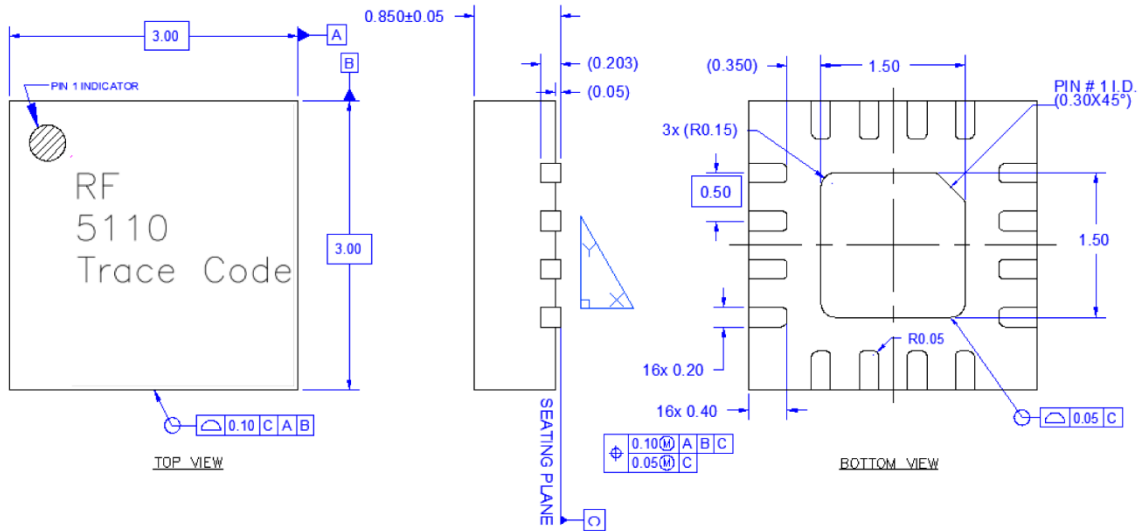
### Evaluation Board PCB Information



Evaluation Board: Size 2.0" x 2.0"; Material FR-4; Multi-Layer; Thickness 0.032"

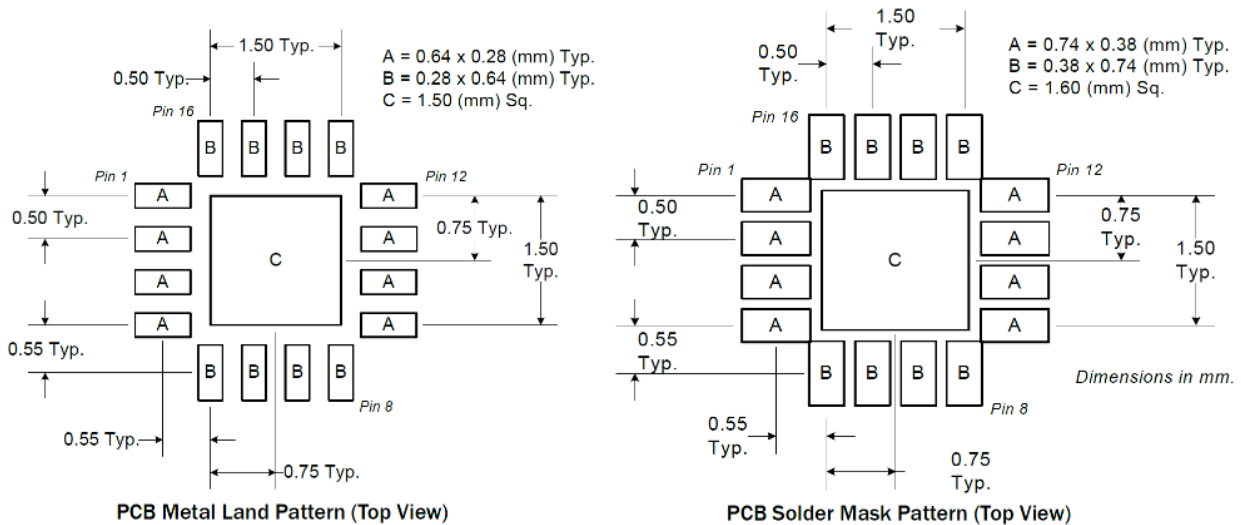
## Package Marking and Dimensions

Marking: Part Number – RF5110  
Trace Code – Assigned by sub-contractor



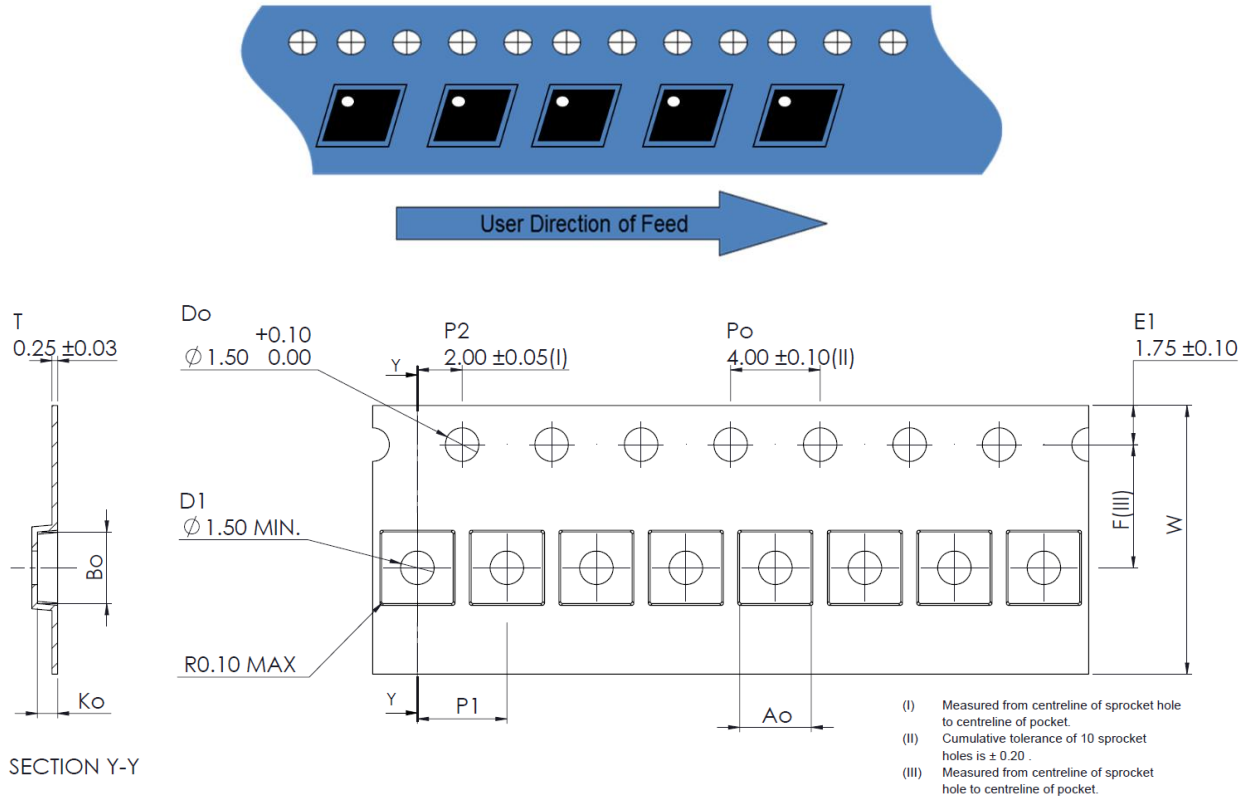
- Notes:
1. All dimensions are in millimeters. Angles are in degrees.
  2. The terminal #1 identifier and terminal numbering conform to JESD 95-1 SPP-012.
  3. Contact plating: Matte Sn

## PCB Mounting Pattern



- Notes:
1. All dimensions are in millimeters. Angles are in degrees.
  2. Use 1 oz. copper minimum for top and bottom layer metal.
  3. ground via holes are required under the backside paddle of this device for proper RF/DC grounding and thermal dissipation. 0.203 mm to 0.330 mm finished hole size and 0.5 mm to 1.2 mm grid pattern recommended.
  4. Ensure good package backside paddle solder attach for reliable operation and best electrical performance.

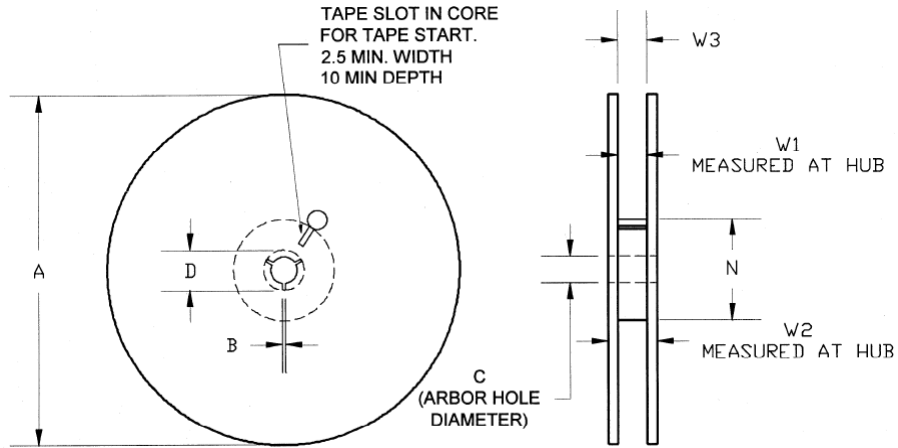
**Tape and Reel Information – Carrier and Cover Tape Dimensions**



Feature	Measure	Symbol	Size (in)	Size (mm)
Cavity	Length	A0	0.125	3.20
	Width	B0	0.125	3.20
	Depth	K0	0.040	1.00
	Pitch	P1	0.157	4.00
Centerline Distance	Cavity to Perforation - Length Direction	P2	0.079	2.00
	Cavity to Perforation - Width Direction	F	0.217	5.50
Cover Tape	Width	C	0.362	9.20
Carrier Tape	Width	W	0.472	12.0

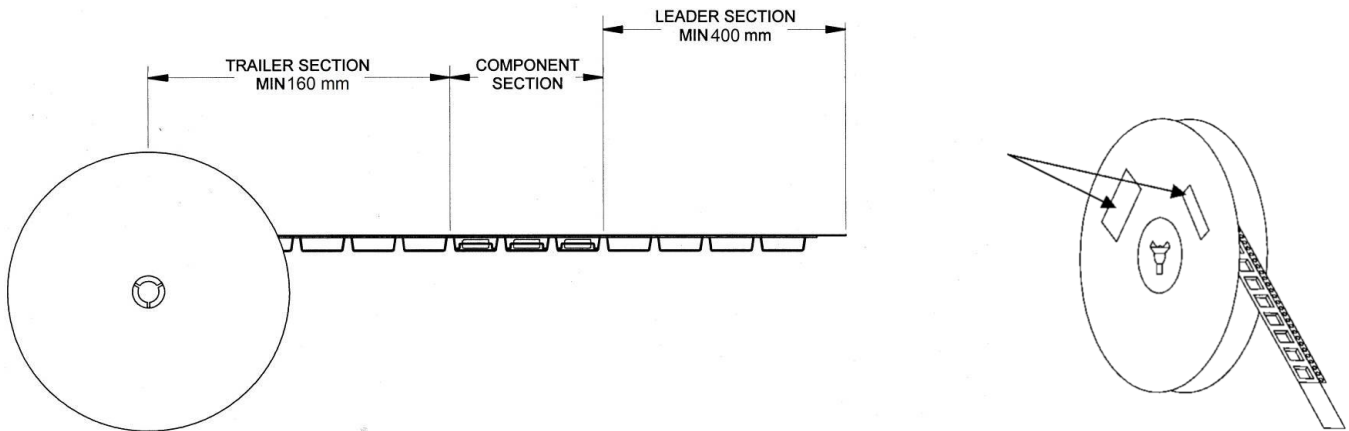
**Tape and Reel Information – Reel Dimensions**

Standard T/R size = 2,500 pieces on a 7" reel.



Feature	Measure	Symbol	Size (in)	Size (mm)
Flange	Diameter	A	6.969	177
	Thickness	W2	0.717	18.2
	Space Between Flange	W1	0.504	12.8
Hub	Outer Diameter	N	2.283	58.0
	Arbor Hole Diameter	C	0.512	13.0
	Key Slit Width	B	0.079	2.0
	Key Slit Diameter	D	0.787	20.0

**Tape and Reel Information – Tape Length and Label Placement**



**Notes:**

1. Empty part cavities at the trailing and leading ends are sealed with cover tape. See EIA 481-1-A.
2. Labels are placed on the flange opposite the sprockets in the carrier tape.

## Handling Precautions

Parameter	Rating	Standard
ESD – Human Body Model (HBM)	Class 0	JESD22-A114
ESD – Machine Model	Class A	JESD22-A115
MSL – Moisture Sensitivity Level	Level 2	IPC/JEDEC J-STD-020



Caution!  
ESD-Sensitive Device

## Solderability

Compatible with both lead-free (260°C max. reflow temp.) and tin/lead (245°C max. reflow temp.) soldering processes. Solder profiles available upon request.

Contact plating: Matte Sn

## RoHS Compliance

This part is compliant with 2011/65/EU RoHS directive (Restrictions on the Use of Certain Hazardous Substances in Electrical and Electronic Equipment) as amended by Directive 2015/863/EU.

This product also has the following attributes:

- Lead Free
- Halogen Free (Chlorine, Bromine)
- Antimony Free
- TBBP-A (C<sub>15</sub>H<sub>12</sub>Br<sub>4</sub>O<sub>2</sub>) Free
- PFOS Free
- SVHC Free



## Contact Information

For the latest specifications, additional product information, worldwide sales and distribution locations:

**Web:** [www.qorvo.com](http://www.qorvo.com)

**Tel:** 1-844-890-8163

**Email:** [customer.support@qorvo.com](mailto:customer.support@qorvo.com)

## Important Notice

The information contained herein is believed to be reliable; however, Qorvo makes no warranties regarding the information contained herein and assumes no responsibility or liability whatsoever for the use of the information contained herein. All information contained herein is subject to change without notice. Customers should obtain and verify the latest relevant information before placing orders for Qorvo products. The information contained herein or any use of such information does not grant, explicitly or implicitly, to any party any patent rights, licenses, or any other intellectual property rights, whether with regard to such information itself or anything described by such information. **THIS INFORMATION DOES NOT CONSTITUTE A WARRANTY WITH RESPECT TO THE PRODUCTS DESCRIBED HEREIN, AND QORVO HEREBY DISCLAIMS ANY AND ALL WARRANTIES WITH RESPECT TO SUCH PRODUCTS WHETHER EXPRESS OR IMPLIED BY LAW, COURSE OF DEALING, COURSE OF PERFORMANCE, USAGE OF TRADE OR OTHERWISE, INCLUDING THE IMPLIED WARRANTIES OF MERCHANTABILITY AND FITNESS FOR A PARTICULAR PURPOSE.**

Without limiting the generality of the foregoing, Qorvo products are not warranted or authorized for use as critical components in medical, life-saving, or life-sustaining applications, or other applications where a failure would reasonably be expected to cause severe personal injury or death.

Copyright 2020 © Qorvo, Inc. | Qorvo is a registered trademark of Qorvo, Inc.