



SPECIFICATIONS

Model Number	RF56 RF57	RF50 RF51
Test Voltage (kV Peak) 60 Hz	12**	12**
Rated Operating Voltage (kV Peak) DC or 60 Hz	10	10
2.5 MHz	7	7
16 MHz	6	6
32 MHz	4	4
Continuous Current, Carry (Amps, RMS) DC or 60 Hz	12	12
2.5 MHz	10	10
16 MHz	6	6
32 MHz	5	5
Contact Capacitance (pF) Between Open Contacts	1.5	1.5
Open Contacts to Ground	1.5	1.5
Contact Resistance (mΩ)	20	20
Operate Time (ms. Max.)	10	15
Release Time (ms. Max.)	10	15
Pull-in Voltage @ 25° C		
26.5 VDC Coil	N/A	16
12 VDC Coil	8	N/A
Dropout Voltage @ -55 to 125° C		
26.5 VDC Coil	N/A	1-10
12 VDC Coil	1-5	N/A
Coil Resistance (Ohms ± 10%)		
26.5 VDC Coil	N/A	290
12 VDC Coil	48	N/A
Shock, 1/2 Sine 11 ms. (Peak g's)	30	50
Vibration, Peak g's 55-2000 Hz	10	10
Expected Mechanical Life Cycles (X10 ⁶)	1	1
Weight, Ounces (Grams) Max.	1 (28)	1 (28)

** 12 kV achieved in an insulating medium such as a fluorocarbon insulating liquid, or tightly adherent and void free encapsulant.

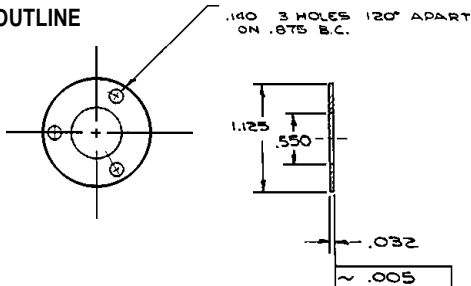
MILITARY CROSS REFERENCE

Model Number	Military Specification	Military Drawing
RF50-26S	MIL-R-83725	M83725/10-001
RF50D-26S	MIL-R-83725	M83725/10-002
RF51-26S	MIL-R-83725	M83725/17-001
RF51D-26S	MIL-R-83725	M83725/17-002

FLANGE CROSS REFERENCE

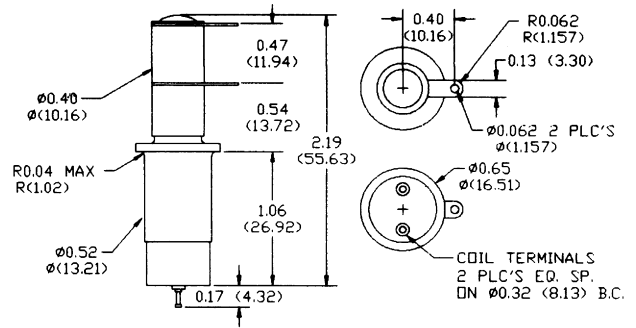
Model Number	Flange Version
RF56-12S	RF56D-12S
RF57-12S	RF57D-12S
RF50-26S	RF50D-26S
RF51-26S	RF51D-26S

FLANGE OUTLINE



12 kV

- **RF56-12S**
N/C, ground isolated.
RF ratings to 32 MHz.
- **RF57-12S**
N/O version of RF56.



12 kV

- **RF50-26S**
26.5 VDC version of RF56.
- **RF51-26S**
26.5 VDC version of RF57.

