

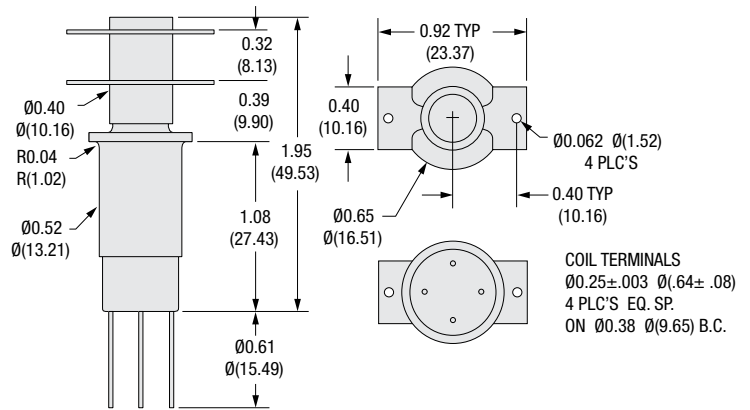
PRODUCT NUMBER	TEST VOLTAGE (kV PEAK) 60 Hz	RATED OPERATING VOLTAGE (kV PEAK)				12 VDC coil versions available; please contact factory for lead times. For available flange versions, the flange diameter is 1.125"											
		MAX CONT.CURRENT (Amps)				CONTACT CAPACITY (pF)		MAX CONTACT RESIST. (mΩ)	MAX OPERATE TIME (ms)	MAX RELEASE TIME (ms)	PULL-IN VOLTAGE @ 25°C (Vdc)	DROP-OUT VOLTAGE @ 25°C (Vdc)	COIL RESISTANCE (Ω ±10%)	SHOCK, 11ms ½ SINE (PEAK g's)	VIBRATION PEAK g's @ FREQ.	MECHANICAL LIFE (10 <sup>6</sup> CYCLES)	WEIGHT, oz. (grams)
		DC OR 60Hz	2.5 MHz	16 MHz	32 MHz	OPEN CONTACT TO OPEN CONTACT	OPEN CONTACTS TO GROUND										
RF72-26S RF72-N1105 RF72-N1107	10	8	8	6	5	1.6	1.6	20	4	4	16*	1-10*	80	50	30 @ 55-2000 Hz	2	1 (28)
RF80-26S	10	8	8	6	4	1.6	1.6	8*	8	3	16	1-10	290	30	10 @ 55-2000 Hz	2	1 (28)
RF88-26S	10	8	8	6	5	1.6	1.6	20	4	4	16	1-10	80	50	10 @ 55-2000 Hz	1	1 (28)

## RF72-26S RF72-N1105 RF72-N1107

All three models —

Form:  
Latching

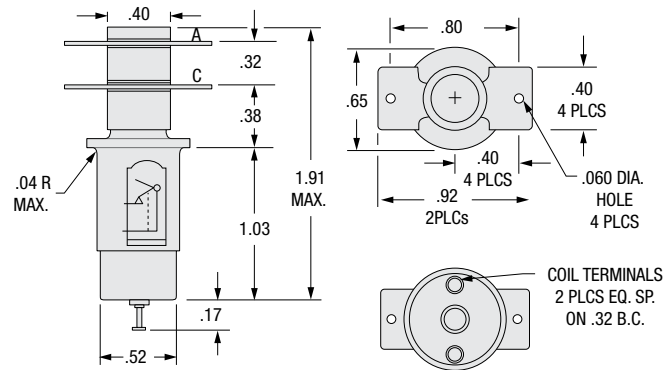
Flange Version Available:  
Yes, please call to order



## RF80-26S

Form:  
N/O

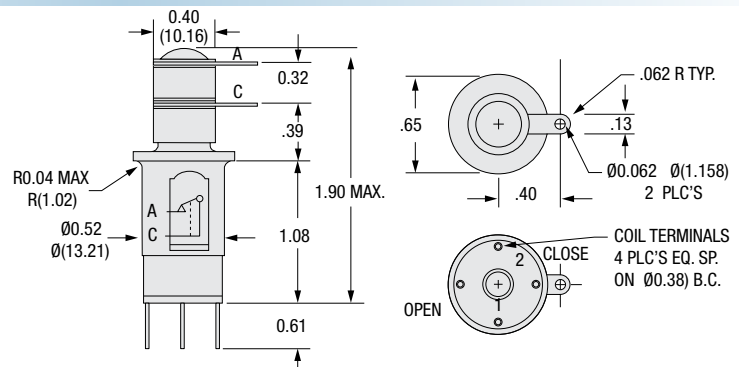
Flange Version Available:  
Yes, please call to order



## RF88-26S

Form:  
N/C

Flange Version Available:  
Yes, please call to order



\* Please contact Jennings Technology for lower/different values.