



Package Style: Module, 10-Pin, 3mm x 3mm x 0.8mm

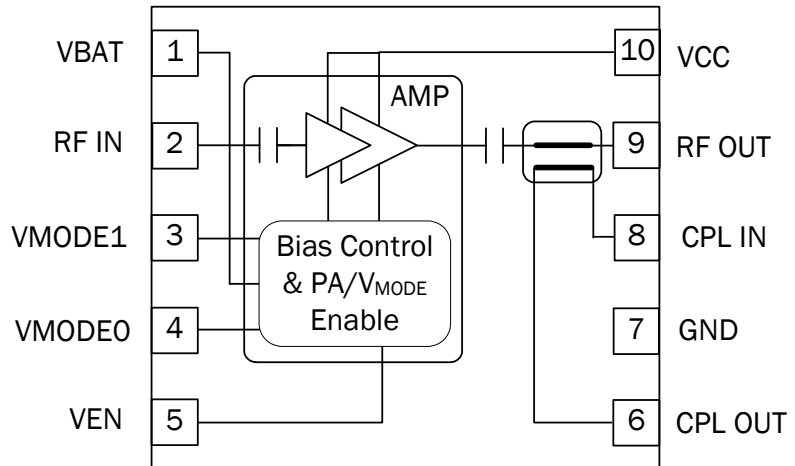


Features

- Multi-mode UMTS/CDMA/ EV-DO
- Best-in-Class Efficiency
- +28.5 dBm, PAE 44%, WCDMA
- +28.25 dBm, PAE 42%, CDMA 2K RC1
- High Coupler Directivity 22dB
- Internal Voltage Regulator
- 3-Mode Power States with Digital Control Interface
- Optimized for DC-DC converter Operation: RF6650 recommended
- Three Power States with Digital Control Interface
- Integrated Power Coupler
- Integrated Blocking and Decoupling Capacitors

Applications

- UMTS/CDMA Wireless Handsets and Datacards



Functional Block Diagram

Product Description

The RF7252 is a high-power, high-efficiency linear power amplifier designed for use as final amplification stage in 3V, 50Ω UMTS/CDMA mobile cellular equipment. This PA is developed for UMTS Band 2 and CDMA PCS band which operates in the 1850MHz to 1910MHz frequency range. The RF7252 has two digital control pins to select one of three power bias states to optimize performance and current drain at lower power levels. The part also has an integrated directional coupler which eliminates the need for an external discrete coupler at the output. The RF7252 meets spectral linearity requirements for CDMA, HSDPA, and HSUPA data transmission. The RF7252 part is assembled in a 10-pin, 3mm x 3mm module.

Ordering Information

RF7252	3V CDMA/WCDMA BAND 2 LINEAR PA MODULE
RF7252PCBA-410	Fully Assembled Evaluation Board

RF MICRO DEVICES®, RFMD®, Optimum Technology Matching®, Enabling Wireless Connectivity™, PowerStar®, POLARIS™ TOTAL RADIO™ and UltimateBlue™ are trademarks of RFMD, LLC. BLUETOOTH is a trademark owned by Bluetooth SIG, Inc., U.S.A. and licensed for use by RFMD. All other trade names, trademarks and registered trademarks are the property of their respective owners. ©2006, RF Micro Devices, Inc.

RF7252



rfmd.com

**Please contact
RFMD Technical Support
at (336) 678-5570
for more information.**