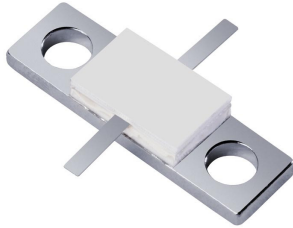




Full Flange Resistor 100 Watts, 50Ω



General Specifications

| | |
|------------------------------|------------------------------------|
| Resistive Element | Thick film |
| Substrate | Beryllium oxide ceramic |
| Cover | Alumina Ceramic |
| Mounting Flange | Copper, Nickel plated per QQ-N-290 |
| Lead(s): | 99.99% pure silver (.006" thick) |
| Operating Temperature | -55 to +150°C (see chart) |

Features:

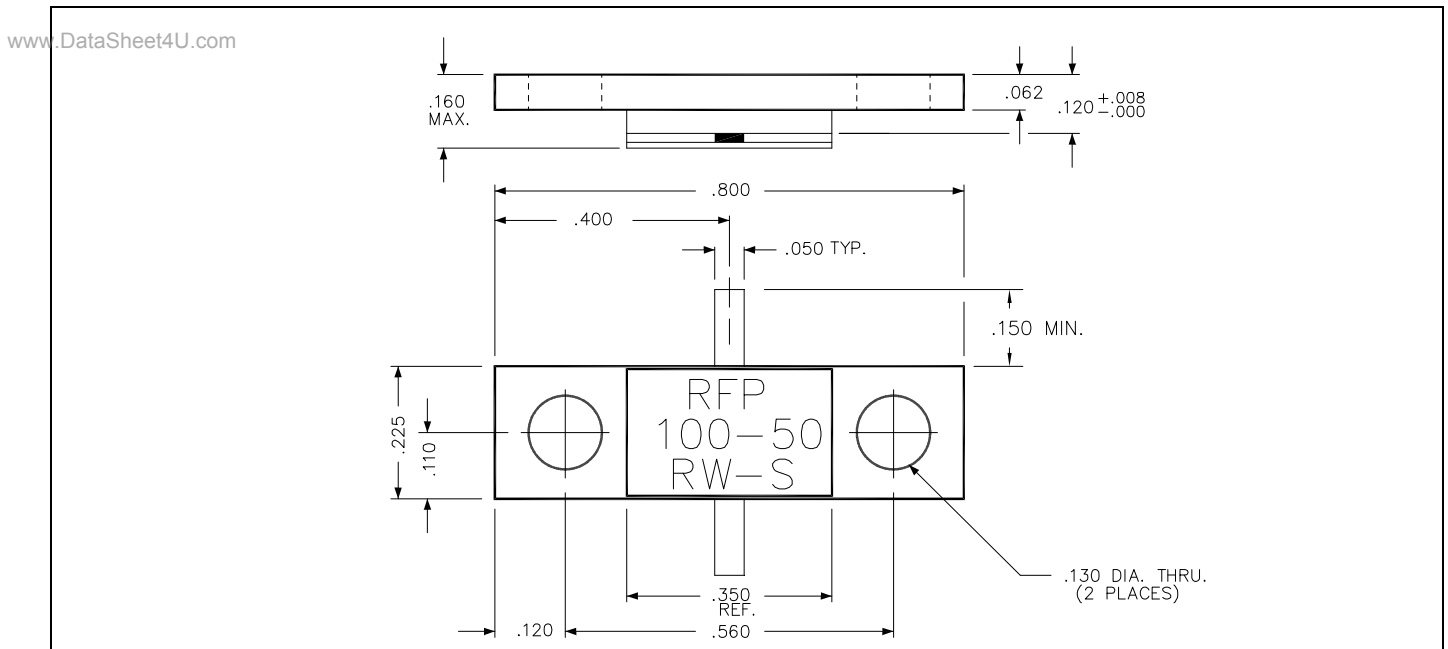
- DC – 2.0 GHz
- 100 Watts
- BeO Ceramic
- Welded Silver Leads
- Non-Nichrome Resistive Element
- 100% Tested
- RoHS Compliant

Electrical Specifications

| | |
|--------------------------|--------------|
| Resistance value: | 50 Ohms ± 5% |
| Frequency Range: | DC – 2.0 GHz |
| Power: | 100 Watts |
| Capacitance: | 3.0 pF |

Notes: Tolerance is ±0.010", unless otherwise specified. Designed to meet or exceed applicable portions of MIL-E-5400. All dimensions in inches. Lead length 0.150" minimum.
Specifications subject to change without notice.

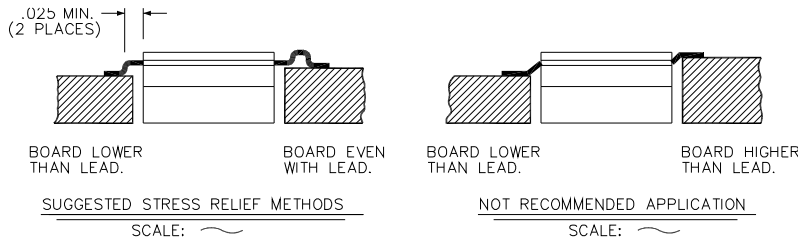
Outline Drawing



100-50RW-S (097) Rev B



Suggested Mounting Procedure

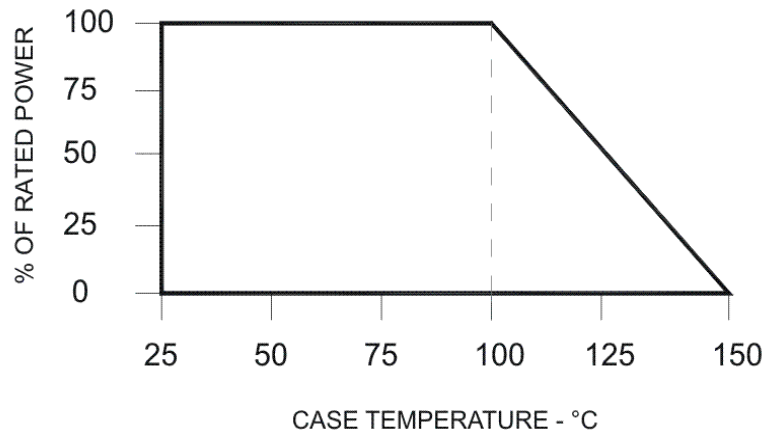


SUGGESTED MOUNTING PROCEDURES:

1. MAKE SURE THAT THE DEVICES ARE MOUNTED ON FLAT SURFACES (.001" UNDER THE DEVICE) TO OPTIMIZE THE HEAT TRANSFER.
2. DRILL & TAP THE HEATSINK FOR THE APPROPRIATE THREAD SIZE TO BE USED.
3. COAT HEATSINK WITH A MINIMUM AMOUNT OF HIGH QUALITY SILICONE GREASE (.001" MAX. THICKNESS).
4. POSITION DEVICE ON MOUNTING SURFACE & SECURE USING SOCKET HEAD SCREWS, FLAT & SPLIT WASHER. TORQUE SCREWS TO THE APPROPRIATE VALUE. MAKE SURE THAT THE DEVICE IS FLAT AGAINST THE HEATSINK. (CARE SHOULD BE TAKEN TO AVOID UPWARD PRESSURE OF THE LEADS TOWARDS THE LID).
5. SOLDER LEADS IN PLACE USING SN96 TYPE SOLDER WITH A CONTROLLED TEMPERATURE IRON.

** FOR MORE DETAILS CONTACT FACTORY **

Power Derating



100-50RW-S (097) Rev B