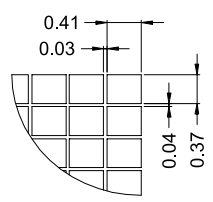
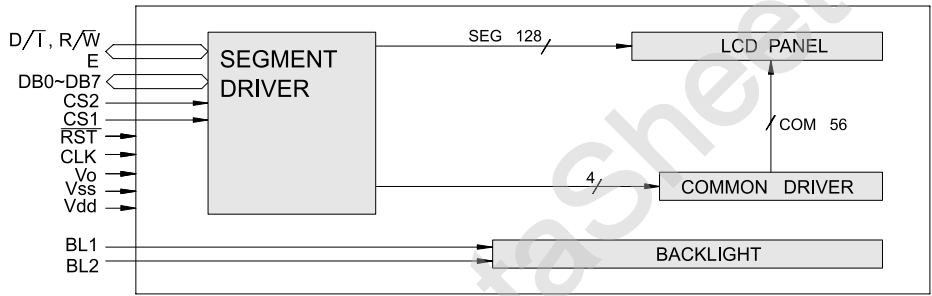
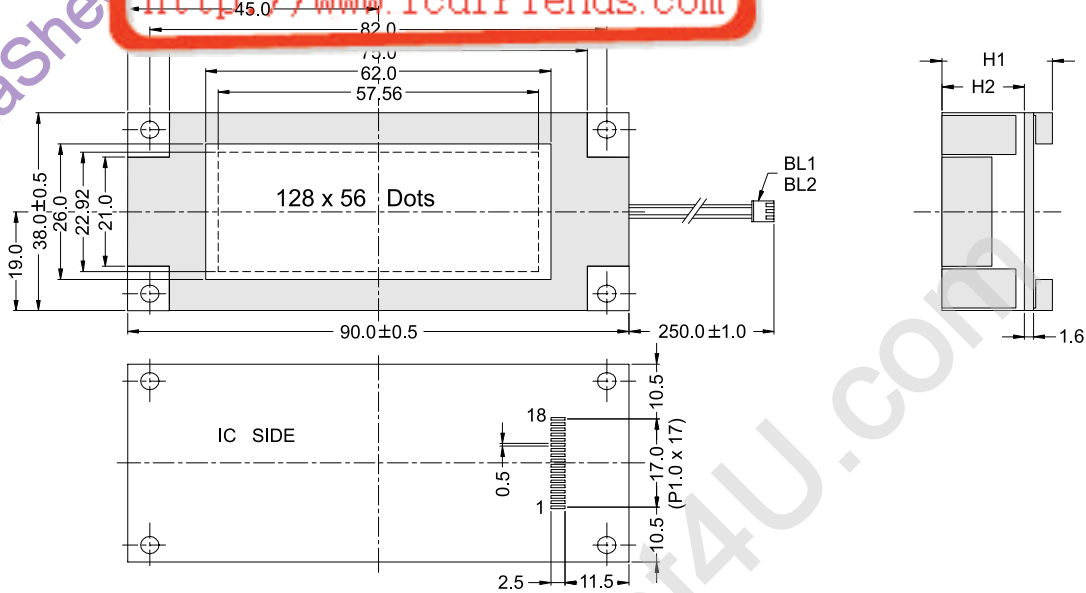


OUTLINE DIMENSION & BLOCK DIAGRAM

液晶之家 电话: 020-33819057  
[Http://www.lcdfriends.com](http://www.lcdfriends.com)



The tolerance unless classified  $\pm 0.3\text{mm}$

MECHANICAL SPECIFICATION			
Overall Size	90.0 x 38.0	Module	H2 / H1
View Area	62.0 x 26.0	W / O B/L	- / -
Dot Size	0.41 x 0.37	EL B/L	- / -
Dot Pitch	0.45 x 0.41	LED B/L	14.8 / 19.8

PIN ASSIGNMENT		
Pin no.	Symbol	Function
1	Vss	Power supply(GND)
2	Vdd	Power supply(+)
3	Vc	Contrast Adjust
4	D/I	Command / Data select
5	R/W	Data read / write
6	E	Chip enable
7-14	DB0-DB7	Data bus line
15	CS1	Chip select driver 1
16	CS2	Chip select driver 2
17	RST	Reset
18	CLK	External clock

ABSOLUTE MAXIMUM RATING							
Item	Symbol	Condition	Min.	Max.	Units		
Supply for logic voltage	Vdd-Vss	25°C	-0.3	7.0	V		
LCD driving supply voltage	Vdd-Vee	25°C	-0.3	19.0	V		
Input voltage	Vin	25°C	-0.3	Vdd+0.3	V		
ELECTRICAL CHARACTERISTICS							
Item	Symbol	Condition	Min.	Typical	Max.	Units	
Power supply voltage	Vdd-Vss	25°C	2.7	-	5.5	V	
LCD operation voltage	Vop	Top	N	W	N	W	V
		-20°C	-	-	-	-	V
		0°C	-	-	-	-	V
		25°C	-	9.2	-	-	V
		50°C	-	-	-	-	V
		70°C	-	-	-	-	V
LCM current consumption (No B/L)	Idd	Vdd=5V	-	1.5	3	mA	
Backlight current consumption	LED/edge	VB/L=4.2V	-	-	-	mA	
	LED/array	VB/L=4.2V	-	-	-	mA	