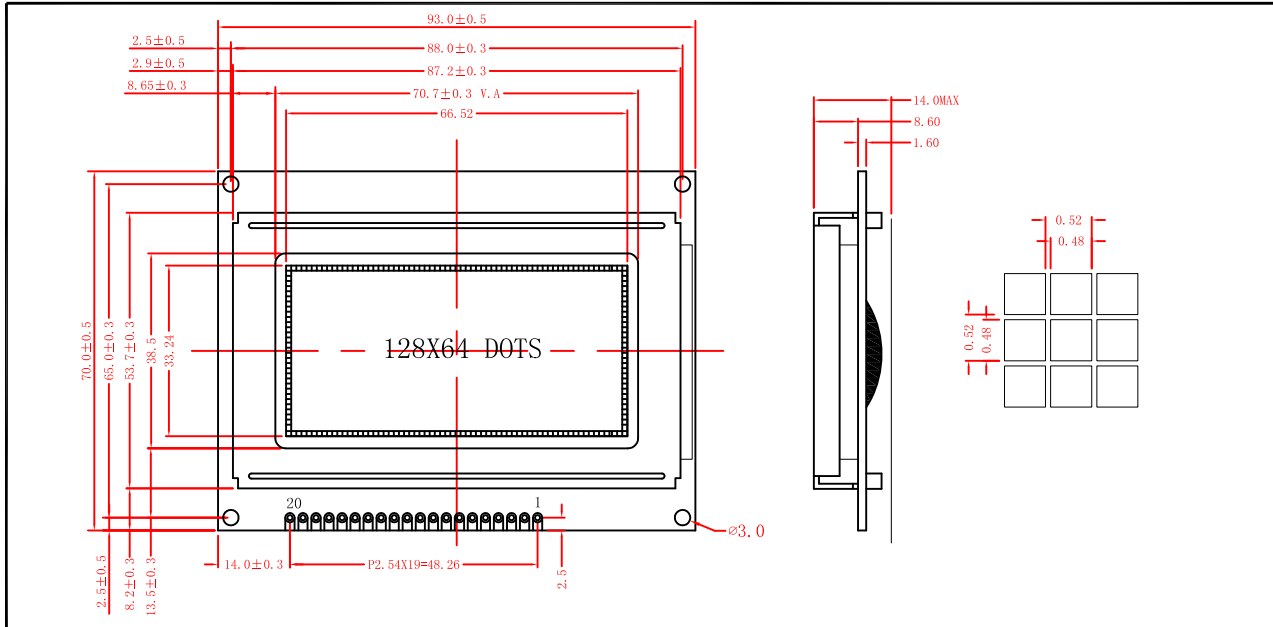


GRAPHIC-COB

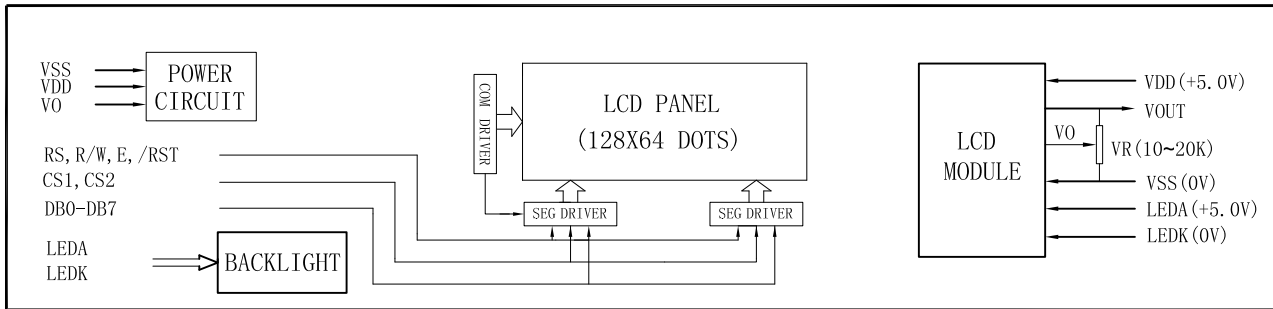
RG12864A Series

128X64 DOTS
1/64 DUTY, 1/9 BIAS

OUTLINE DIMENSIONS



BLOCK DIAGRAM & POWER SUPPLY



MECHANICAL SPECIFICATIONS & FEATURE

LTEM		NORMAL DIMENSIONS (MM)	FEATURE	
MODULE SIZE (W*H*T)		93.0 X 70.0 X 14.0	LCD TYPE	STN FSTN
VIEW AREA (W*H)		70.7 X 38.5	LCD COLOUR	STN: BLUE, GRAY FSTN: GRAY
DOTSxDOTS (W*H)		128 X 64	VIEW ANGLE	6 O' CLOCK, 12 O' CLOCK
DOT PITCH (W*H)		0.52 X 0.52	DISPLAY TYPE	POSITIVE TYPE, NEGATIVE TYPE
DOT SIZE (W*H)		0.48 X 0.48	REAR POLARIZER	TRANSMISSIVE, REFLECTIVE, TRANSFLECTIVE
---		---	OPERATING TEMPERATURE	-10 °C ~ 60 °C -20 °C ~ 70 °C
---		---	BACKLIGHT	LED: WHITE EL: GREEN, BLUE-GREEN, BLUE WITHOUT

ELECTRICAL CHARACTERISTICS

LTEM	SYMBOL	TEST CONDITION	MIN	TYP	MAX	UNIT
OPERATING VOLTAGE	VDD	Ta=25 °C	---	5.0	---	V
OPERATING VOLTAGE FOR LCD	VLCD	Ta=25 °C	---	10.5	---	V
SUPPLY CURRENT	IDD	Ta=25 °C, VDD=5.0V	---	2.0	3.0	MA
SUPPLY CURRENT FOR BACKLIGHT	IF	Ta=25 °C, VF=4.2V	---	300	---	MA

INTERFACE PIN CONNECTIONS

PIN NO	SYMBOL	LEVEL	DESCRIPTION
1	VSS	---	GROUND FOR LOGIC
2	VDD	---	POWER SUPPLY FOR LOGIC
3	VO	---	POWER SUPPLY FOR LCD DRIVE
4	RS	H/L	REGISTER SELECT (H: DATA REGISTER, L: INSTRUCTION REGISTER)
5	R/W	H/L	READ/WRITE SELECTION (H: READ, L: WRITE)
6	E	H/H → L	ENABLE SIGNAL FOR LCM
7-14	DB0-DB7	H/L	DATA BUS LINES
15	CSA	H	CHIP1 SELECT SIGNAL
16	CSB	H	CHIP2 SELECT SIGNAL
17	/RST	L	RESET SIGNAL
18	VEE	---	NEGATIVE VOLTAGE OUTPUT
19	BLA	---	POWER SUPPLY FOR BACKLIGHT(+)
20	BLK	---	POWER SUPPLY FOR BACKLIGHT(-)