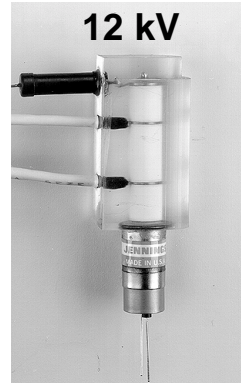




**SPECIFICATIONS**

Model Number	RGF62A	RGH5
Test Voltage (kV Peak)		
60 Hz	12	50
Rated Operating Voltage (kV Peak)		
DC or 60 Hz	10	40
Continuous Current, Carry (Amps, RMS)		
DC or 60 Hz	10	10
Contact Resistance (mΩ)	1000	500 *
Operate Time (ms. Max.)	10	20
Release Time (ms. Max.)	10	15
Pull-in Voltage @ 25° C (26.5 VDC Coil)	16	18
Dropout Voltage @ -55 to 125° C (26.5 VDC Coil)	1-10	1-10
Coil Resistance (Ohms ± 10%) (26.5 VDC Coil)	290	167
Shock, 1/2 Sine 11 ms. (Peak g's)	-	20
Vibration, Peak g's		
55-500 Hz	-	10
Expected Mechanical Life Cycles (X10 <sup>6</sup> )	2	1
Weight, Ounces (Grams) max.	3 (85)	12 (340)

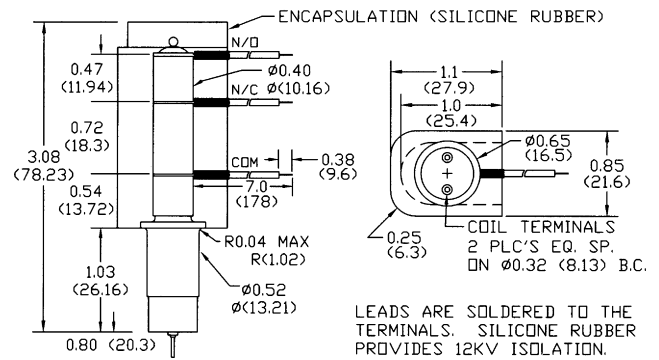
\* Contact Resistance of gas filled relays is measured at 28 VDC, 1 Amp.



**12 kV**

- **RGF62A-26D2828**  
Flying leads, encapsulated in silicone rubber. Designed for automatic high voltage testers.

Note: Photo is of a similar unit and is not an exact representation of the RGF62A.



For a variation of the RGH5 or RGF62 please contact our Sales / Marketing Department for further information.



**50 kV**

- **RGH5-26S**  
Designed for polarity reversal. Ideal for high voltage isolation.

