


## DESCRIPTION

The RH27C combines very low noise with excellent precision and high speed specifications. The low  $1/f$  noise corner frequency of 2.7Hz combined with  $3.5nV/\sqrt{Hz}$  10Hz noise and low offset voltage make the RH27C an excellent choice for low frequency military instrumentation applications. The wafer lots are processed to LTC's in-house Class S flow to yield circuits usable in stringent military applications.

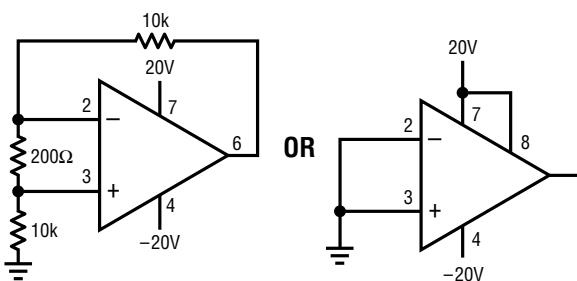
For complete electrical specifications and performance curves see the OP-27/OP-37 data sheet.

## ABSOLUTE MAXIMUM RATINGS

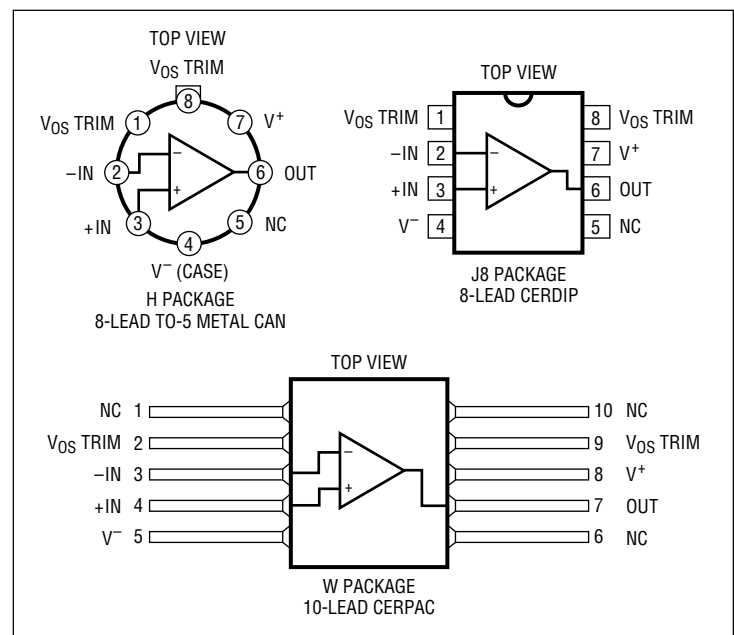
Supply Voltage .....	$\pm 22V$
Internal Power Dissipation .....	500mW
Input Voltage .....	Equal to Supply Voltage
Output Short-Circuit Duration .....	Indefinite
Differential Input Current (Note 8) .....	$\pm 25mA$
Operating Temperature Range .....	$-55^{\circ}C$ to $125^{\circ}C$
Junction Temperature Range .....	$-55^{\circ}C$ to $150^{\circ}C$
Storage Temperature Range .....	$-65^{\circ}C$ to $150^{\circ}C$
Lead Temperature (Soldering, 10 sec) .....	$300^{\circ}C$

 LTC and LT are registered trademarks of Linear Technology Corporation.

## BURN-IN CIRCUIT



## PACKAGE/ORDER INFORMATION



### TABLE 1: ELECTRICAL CHARACTERISTICS (Preirradiation) (Note 9)

SYMBOL	PARAMETER	CONDITIONS	NOTES	$T_A = 25^{\circ}C$			SUB-GROUP	$-55^{\circ}C \leq T_A \leq 125^{\circ}C$			SUB-GROUP	UNITS
				MIN	TYP	MAX		MIN	TYP	MAX		
$V_{OS}$	Input Offset Voltage		1			100	4			300	2, 3	$\mu V$
$\frac{\Delta V_{OS}}{\Delta Temp}$	Average Offset Drift		4, 7							1.8		$\mu V/^{\circ}C$
$\frac{\Delta V_{OS}}{\Delta Time}$	Long-Term Input Offset Voltage Stability		2, 4			2						$\mu V/$ Month
$I_{OS}$	Input Offset Current					75	1			135	2, 3	nA
$I_B$	Input Bias Current					$\pm 80$	1			$\pm 150$	2, 3	nA

**TABLE 1: ELECTRICAL CHARACTERISTICS** (Preirradiation) (Note 9)

SYMBOL	PARAMETER	CONDITIONS	NOTES	$T_A = 25^\circ\text{C}$			SUB-GROUP	$-55^\circ\text{C} \leq T_A \leq 125^\circ\text{C}$			SUB-GROUP	UNITS
				MIN	TYP	MAX		MIN	TYP	MAX		
$e_n$	Input Noise Voltage	0.1Hz to 10Hz	4, 5			0.25						$\mu\text{V}_{\text{P-P}}$
	Input Noise Voltage Density	$f_0 = 10\text{Hz}$	3			8.0						$\text{nV}/\sqrt{\text{Hz}}$
		$f_0 = 30\text{Hz}$	4			5.6						$\text{nV}/\sqrt{\text{Hz}}$
		$f_0 = 1000\text{Hz}$	4			4.5						$\text{nV}/\sqrt{\text{Hz}}$
$i_n$	Input Noise Current Density	$f_0 = 1000\text{Hz}$	4, 6			0.6						$\text{pV}/\sqrt{\text{Hz}}$
	Input Resistance Common Mode				2							$\text{G}\Omega$
	Input Voltage Range		4		$\pm 11$			$\pm 10.2$				V
CMRR	Common Mode Rejection Ratio	$V_{\text{CM}} = \pm 11\text{V}$ $V_{\text{CM}} = \pm 10\text{V}$			100		1	94		2, 3		dB dB
PSRR	Power Supply Rejection Ratio	$V_S = \pm 4\text{V}$ to $\pm 18\text{V}$ $V_S = \pm 4.5\text{V}$ to $\pm 18\text{V}$			94		1	86		2, 3		dB dB
$A_{\text{VOL}}$	Large-Signal Voltage Gain	$R_L \geq 2\text{k}$ , $V_O = \pm 10\text{V}$ $R_L \geq 600\Omega$ , $V_O = \pm 1\text{V}$ $V_S = \pm 4\text{V}$	4		700 200		4	300		5, 6		V/mV V/mV
$V_{\text{OUT}}$	Maximum Output Voltage Swing	$R_L = 2\text{k}$ $R_L = 600\Omega$			$\pm 11.5$ $\pm 10.0$		4 4	$\pm 10.5$		5, 6		V V
SR	Slew Rate	$R_L = 2\text{k}$			1.7		7					$\text{V}/\mu\text{s}$
GBW	Gain-Bandwidth Product	$f_0 = 100\text{kHz}$	4		5							MHz
$Z_0$	Open-Loop Output Resistance	$V_O = 0$ , $I_O = 0$			70							$\Omega$
$P_D$	Power Dissipation						1	170				mW

**TABLE 1A: ELECTRICAL CHARACTERISTICS** (Postirradiation) (Note 10)

SYMBOL	PARAMETER	CONDITIONS	NOTES	10KRAD(Si)		20KRAD(Si)		50KRAD(Si)		100KRAD(Si)		200KRAD(Si)		UNITS
				MIN	MAX	MIN	MAX	MIN	MAX	MIN	MAX	MIN	MAX	
$V_{\text{OS}}$	Input Offset Voltage		1		100		130		180		280		400	$\mu\text{V}$
$I_{\text{OS}}$	Input Offset Current				75		75		90		120		180	nA
$I_B$	Input Bias Current				$\pm 80$		$\pm 80$		$\pm 125$		$\pm 200$		$\pm 400$	nA
	Input Resistance Common Mode				2 (Typ)		2 (Typ)		2 (Typ)		2 (Typ)		2 (Typ)	$\text{G}\Omega$
	Input Voltage Range		4		$\pm 11$		$\pm 11$		$\pm 11$		$\pm 11$		$\pm 11$	V
CMRR	Common Mode Rejection Ratio	$V_{\text{CM}} = \pm 11\text{V}$			100		100		97		94		90	dB
PSRR	Power Supply Rejection Ratio	$V_S = \pm 4\text{V}$ to $\pm 18\text{V}$			94		94		92		90		86	dB
$A_{\text{VOL}}$	Large-Signal Voltage Gain	$R_L \geq 2\text{k}$ , $V_O = \pm 10\text{V}$			700		700		700		700		400	V/mV
$V_{\text{OUT}}$	Maximum Output Voltage Swing	$R_L \geq 10\text{k}$ $R_L \geq 600\Omega$			$\pm 11.5$ $\pm 10.0$		$\pm 11.5$ $\pm 10.0$		$\pm 11.5$ $\pm 10.0$		$\pm 11.5$ $\pm 10.0$		$\pm 11.5$ $\pm 10.0$	V V
$Z_0$	Open-Loop Output Resistance	$V_O = 0$ , $I_O = 0$			70 (Typ)		70 (Typ)		70 (Typ)		70 (Typ)		70 (Typ)	$\Omega$
$P_D$	Power Dissipation				170		170		170		170		170	mW

## TABLE 1A: ELECTRICAL CHARACTERISTICS

**Note 1:** Input offset voltage measurements are performed by automatic test equipment approximately 0.5 seconds after application of power.

**Note 2:** Long-term input offset voltage stability refers to the averaged trend line of offset voltage vs time over extended periods after the first 30 days of operation. Excluding the initial hour of operation, changes in  $V_{OS}$  during the first 30 days are typically  $2.5\mu\text{V}$ . Refer to the typical performance curve.

**Note 3:** Sample tested to an LTPD of 15 on every lot. Contact factory for 100% testing of 10Hz voltage density noise.

**Note 4:** Parameter is guaranteed by design, characterization, or correlation to other tested parameters.

**Note 5:** See test circuit and frequency response curve for 0.1Hz to 10Hz tester on OP-27/OP-37 data sheet.

**Note 6:** See test circuit for current noise measurement on OP-27/OP-37 data sheet.

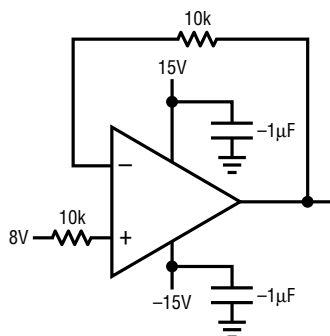
**Note 7:** The average input offset drift performance is within the specifications unnullled or when nulled with a pot having a range  $8\text{k}\Omega$  to  $20\text{k}\Omega$ .

**Note 8:** The RH27C's inputs are protected by back-to-back diodes. Current limiting resistors are not used in order to achieve low noise. If differential input voltage exceeds  $\pm 0.7\text{V}$ , the input current should be limited to 25mA.

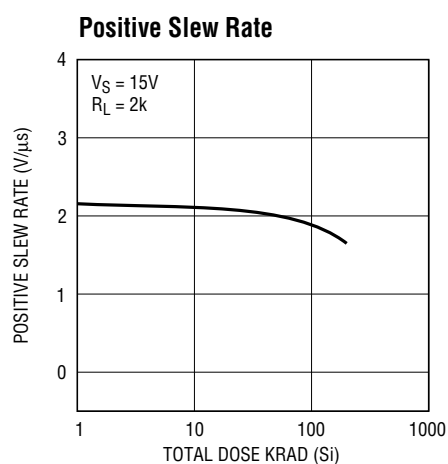
**Note 9:**  $V_S = \pm 15\text{V}$ ,  $V_{CM} = 0\text{V}$  unless otherwise noted.

**Note 10:**  $T_A = 25^\circ\text{C}$ ,  $V_S = \pm 15\text{V}$ ,  $V_{CM} = 0\text{V}$ , unless otherwise noted.

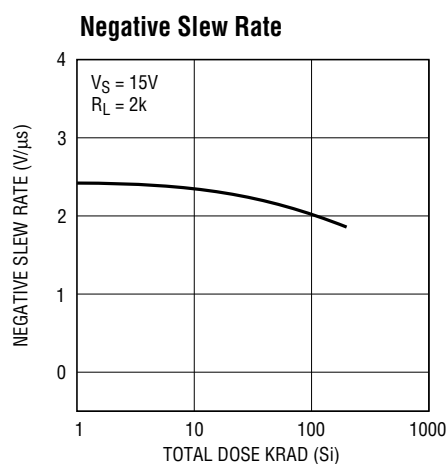
## TOTAL DOSE BIAS CIRCUIT



## TYPICAL PERFORMANCE CHARACTERISTICS

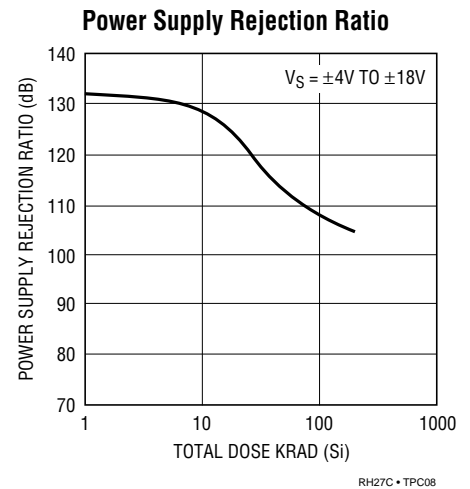
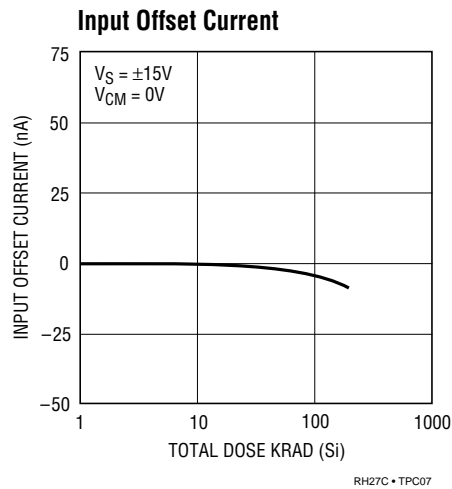
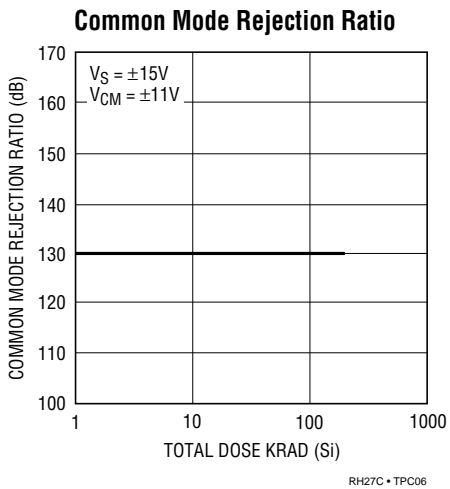
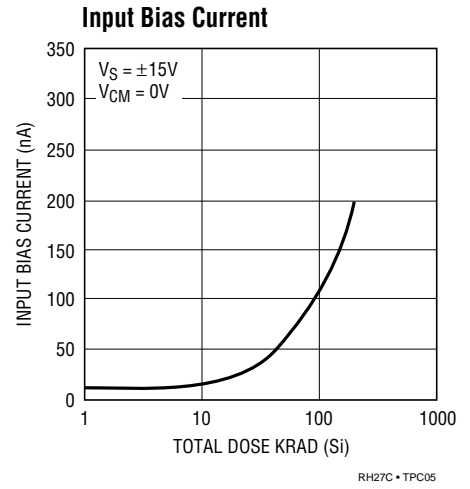
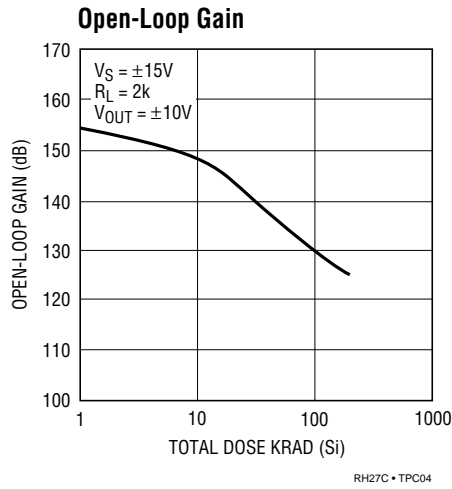
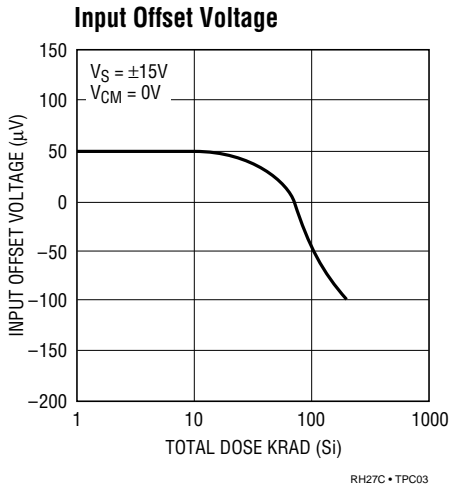


RH27C • TPC01



RH27C • TPC02

# TYPICAL PERFORMANCE CHARACTERISTICS



## TABLE 2: ELECTRICAL TEST REQUIREMENTS

MIL-STD-883 TEST REQUIREMENTS	SUBGROUP
Final Electrical Test Requirements (Method 5004)	1*,2,3,4,5,6,7
Group A Test Requirements (Method 5005)	1,2,3,4,5,6,7
Group B and D for Class S, and Group C and D for Class B End Point Electrical Parameters (Method 5005)	1

\* PDA applies to subgroup 1. See PDA Test Notes.

### PDA Test Notes

The PDA is specified as 5% based on failures from group A, subgroup 1, tests after cooldown as the final electrical test in accordance with method 5004 of MIL-STD-883 Class B. The verified failures of group A, subgroup 1, after burn-in divided by the total number of devices submitted for burn-in in that lot shall be used to determine the percent for the lot.

Linear Technology Corporation reserves the right to test to tighter limits than those given.