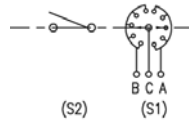
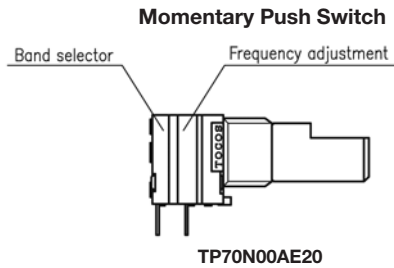


TP7/RH7 ENCODERS

- 1. For Random Frequency Adjustment:
TP70N00E20
- 2. For Random Frequency Adjustment + Frequency Band Selector:
TP70N00AE20



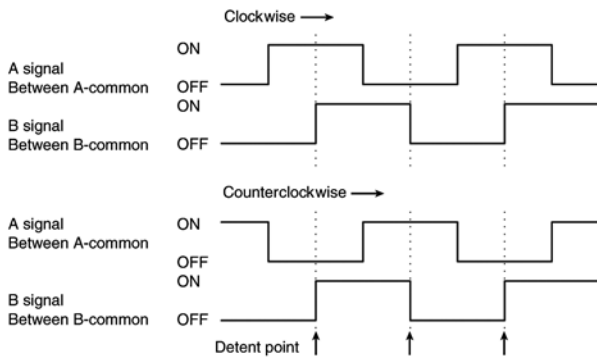
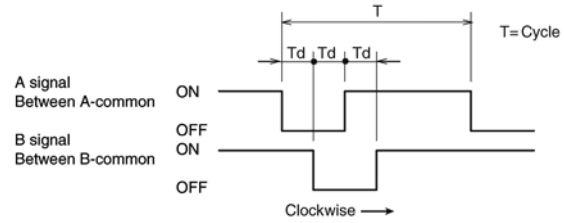
Circuit Diagram

Encoder Specifications

- Voltage rating 5VDC
- Current rating 1mA
- Max. operating current 2.5mA
- Chattering 10ms max. (15 rpm)
- Contact resistance 10Ω max.
- Output signal

- Phase Difference

$T_d = T/4 \pm T/6$



- Duty ratio 50% ± 15% (18° ± 5.4°)
- Step angle 18° ± 3°
- Rotational Life 50,000 cycles
- Rotational torque 2 to 24.5mN • m (0 to +70°C)
(20 to 250gf • cm)
49.1mN • m max. (0 to -20°C)
(500gf • cm max.)

Refer to page 4 for additional 7mm potentiometer specifications.

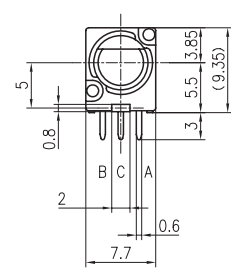
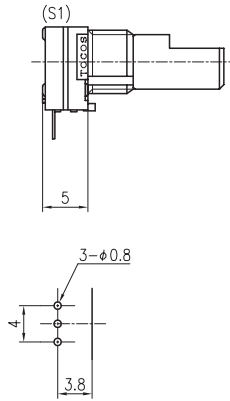
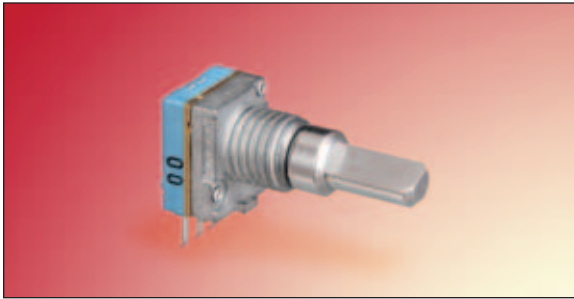
- Resolution 10 pulses
- Detent point 20 detents
A-common: ON or OFF
B-common: Non provisions

◆ All products in this catalog are not for use in life support equipment.

TP/RH Series are NOT board washable.

TP70N00E20 - Encoder

Single Shaft, Single Unit

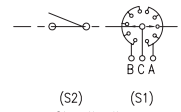
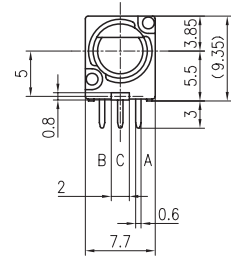
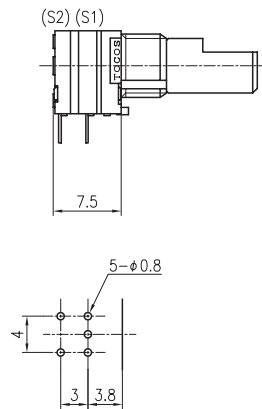
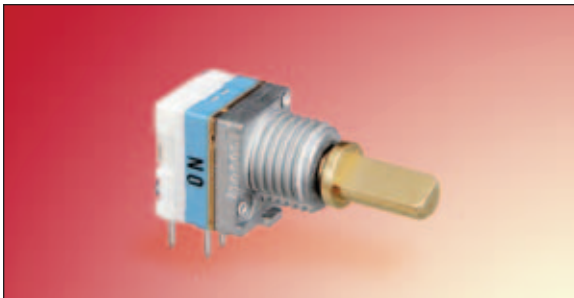


Unit: mm



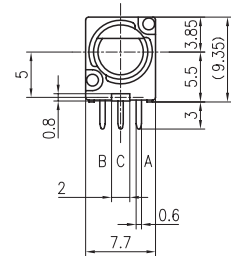
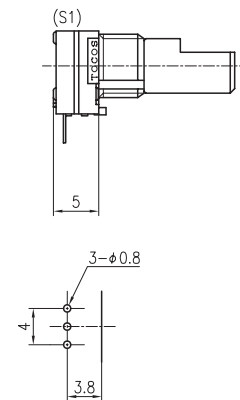
TP70N00AE20 - Encoder

Single Shaft, Single Unit, Momentary Push-on Switch



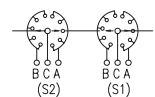
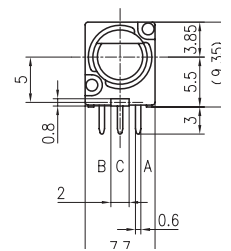
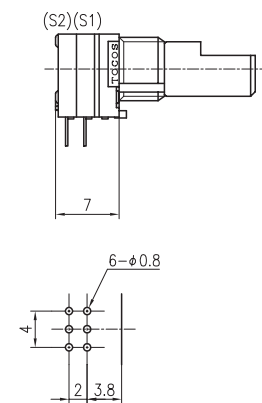
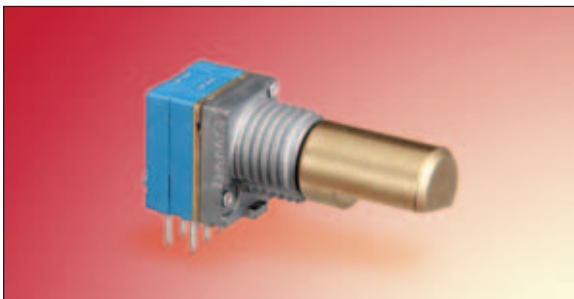
TP70N97E20 - Encoder

Single Shaft, Single Unit, Sealed (shaft O-ring)



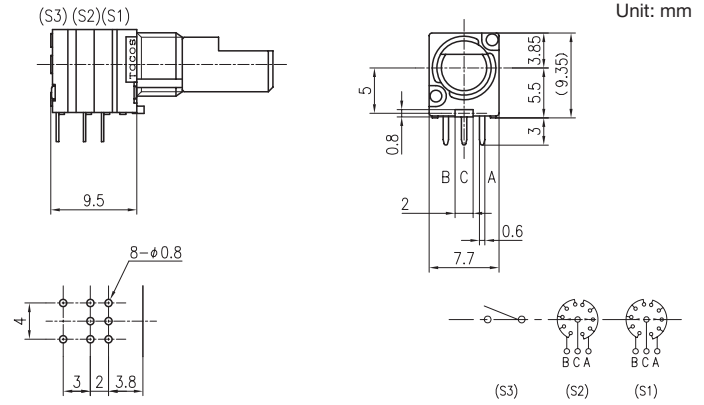
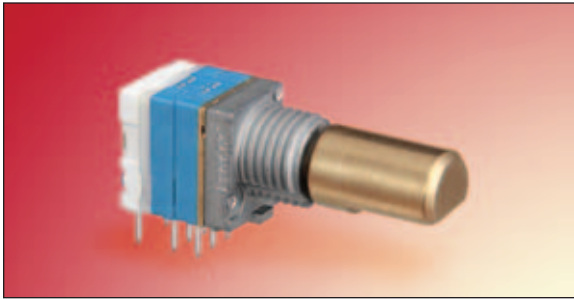
TP70G00E20 - Encoder

Single Shaft, Dual Unit



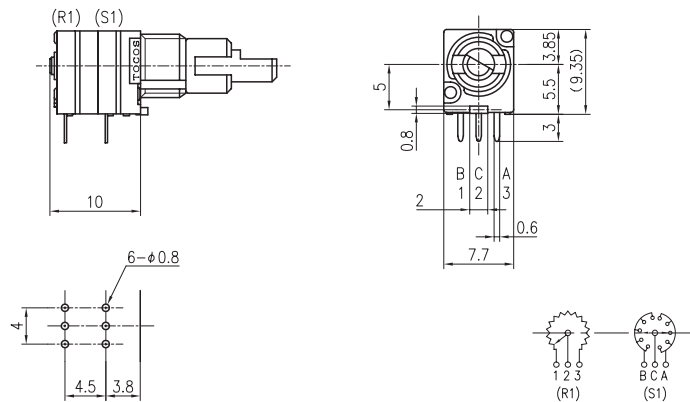
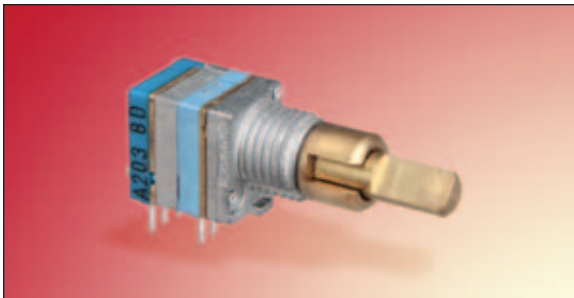
TP70G00AE20 - Encoder

Single Shaft, Dual Unit, Momentary Push-on Switch



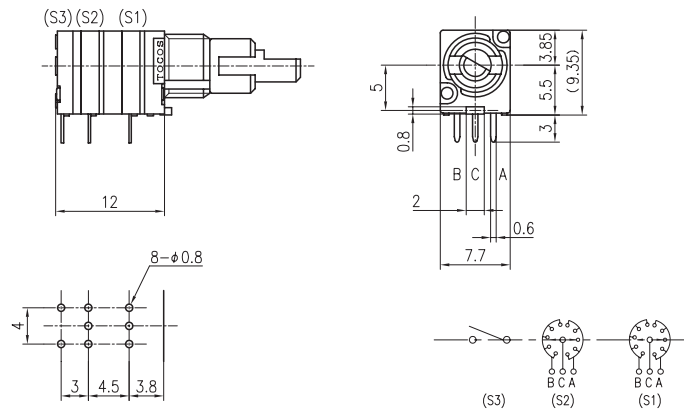
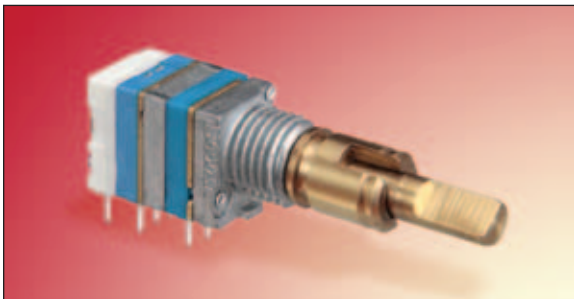
TP70D00E20 - Encoder

Dual Shaft, Dual Unit, 1 Pot, 1 Encoder (outer shaft)



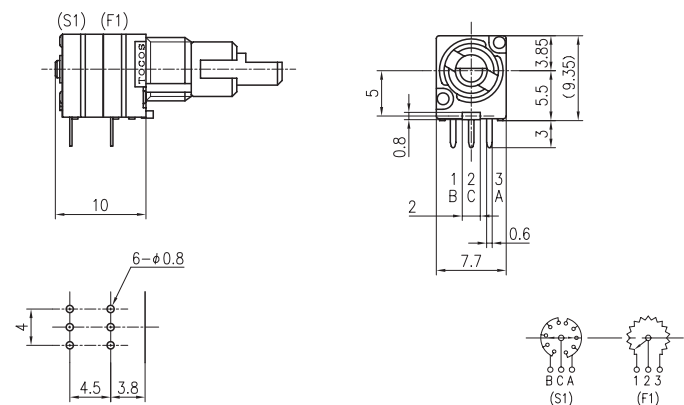
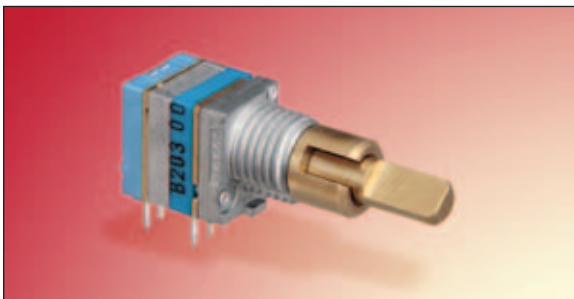
TP70D96AE20 - Encoder

Dual Shaft, Dual Unit, Momentary Push-on Switch, Inner Shaft Encoder



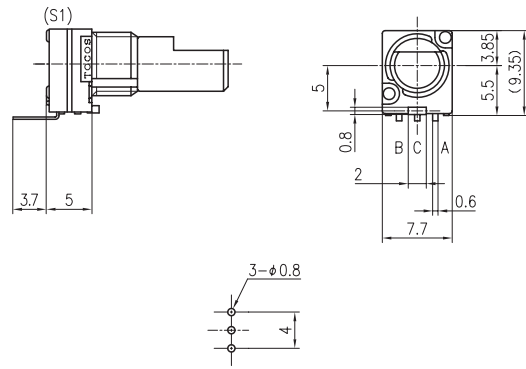
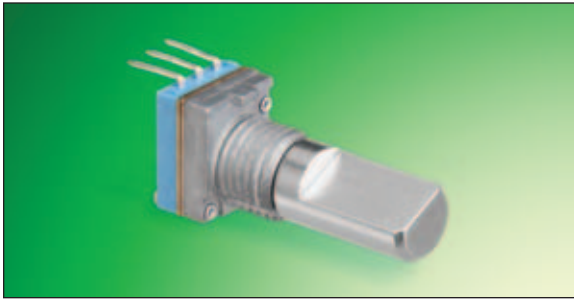
TP76D96E20 - Encoder

Dual Shaft, Dual Unit, 1 Pot, 1 Encoder (inner shaft)



RH70N00E20 - Encoder

Vertical Mount, Single Shaft, Single Unit

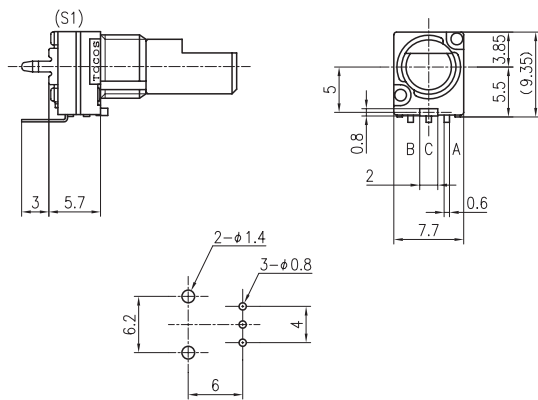
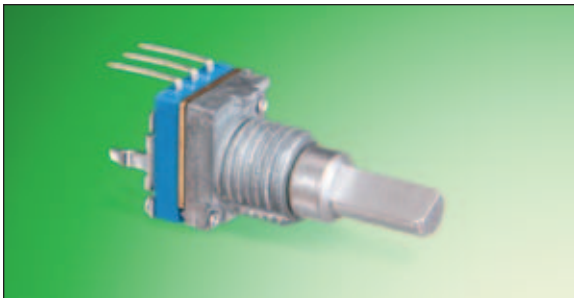


Unit: mm



RH70N74E20 - Encoder

Vertical Mount, Single Shaft, Single Unit, Bracket with Snap-in Mounting Pins



RH70N00AE20 - Encoder

Vertical Mount, Single Shaft, Single Unit, Momentary Push-on Switch

