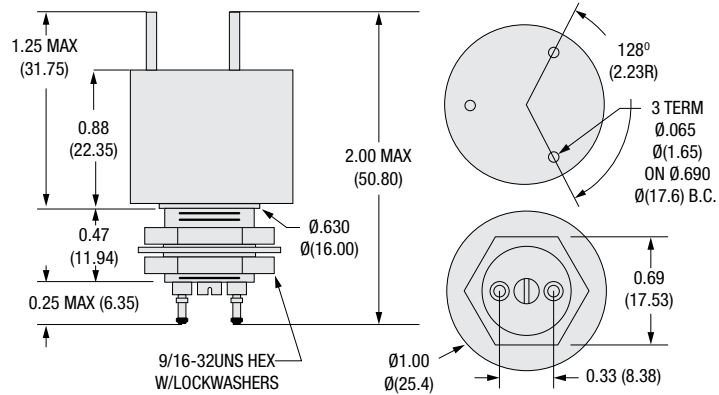


PRODUCT NUMBER	TEST VOLTAGE (kV PEAK) 60 Hz	RATED OPERATING VOLTAGE (kV PEAK)				12 or 115 VDC coil versions available; please contact factory for lead times. For available flange versions, the flange diameter is 1.125"											
		MAX CONT.CURRENT (Amps)				CONTACT CAPACITY (pF)		MAX CONTACT RESIST. (mΩ)	MAX OPERATE TIME (ms)	MAX RELEASE TIME (ms)	PULL-IN VOLTAGE @ 25°C (Vdc)	DROP-OUT VOLTAGE @ 25°C (Vdc)	COIL RESISTANCE (Ω ±10%)	SHOCK, 11ms ½ SINE (PEAK g's)	VIBRATION PEAK g's @ FREQ.	MECHANICAL LIFE (10 ⁶ CYCLES)	WEIGHT, oz. (grams)
		DC OR 60Hz	2.5 MHz	16 MHz	32 MHz	OPEN CONTACT TO OPEN CONTACT	OPEN CONTACTS TO GROUND										
RJ1A-26N696	10	8	—	—	—	2	2.5	10	8	8	16	1-10	335	50	10 @ 55-2000 Hz	2	1 (28)
		18	—	—	—												
RJ2B-26S [†] RJ6B-26S [†]	15	12	10	8	6	0.5 1	1 1.5	12	18	9	16	1-10	270	50	10 @ 55-500 Hz	1 25	3 (85)
		50	30	17	10												
RJ6B-D3136 [†]	15	12	10	8	6	1	1.5	12	18	9	16	1-10	270	50	10 @ 55-500 Hz	25	3 (85)
		50	30	17	10												

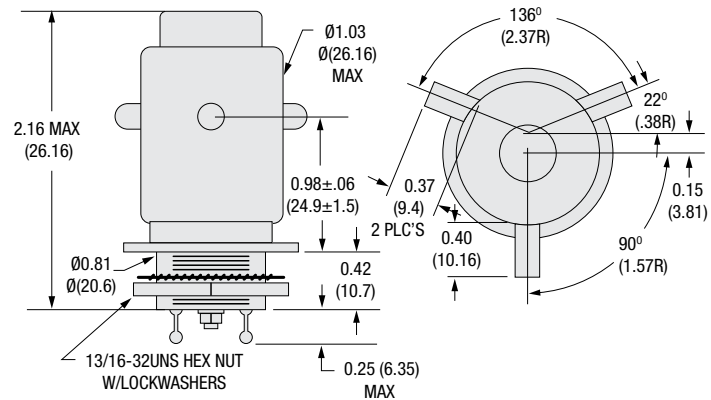
RJ1A-26N696

Form: SPDT
Flange Version Available: None



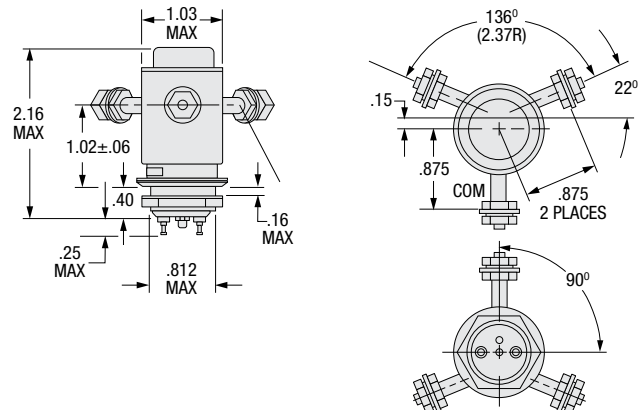
RJ2B-26S[†]

Form: SPDT
Flange Version Available: RJ2C-26S



RJ6B-26S[†]

Form: SPDT
Flange Version Available: RJ6C-26S



[†] Can be used for hot switch applications.