

RK2918 Datasheet

Preliminary

Revision 1.0

Jan. 2011

Rockchip Confidential

Revision History

Date	Revision	Description
2011-1-9	1.0	Initial Release

Rockchip Confidential

Table of Content

Table of Content.....	3
Figure Index.....	4
Table Index	5
Chapter 1 Introduction.....	6
1.1 Features.....	6
1.1.1 Microprocessor	6
1.1.2 Memory Organization	7
1.1.3 Internal Memory	7
1.1.4 External Memory or Storage device	7
1.1.5 System Component.....	9
1.1.6 Video CODEC.....	11
1.1.7 JPEG CODEC	12
1.1.8 Image Enhancement	12
1.1.9 Graphics Engine.....	14
1.1.10 Video IN/OUT	14
1.1.11 Audio Interface.....	16
1.1.12 Connectivity	17
1.1.13 Others.....	19
1.2 Block Diagram.....	19
Chapter 2 Package Description	21
2.1 Ball Map	21
2.2 Pin Number Order.....	25
2.3 RK2918 power/ground IO descriptions	30
2.3.1 RK2918 function IO descriptions	34
2.4 IO pin name descriptions	49
2.4.1 RK2918 IO Type.....	56
2.5 Package information.....	57
2.5.1 Dimension	57
Chapter 3 Electrical Specification	60
3.1 Absolute Maximum Ratings	60
3.2 Recommended Operating Conditions	60
3.3 DC Characteristics	61
3.4 Electrical Characteristics for General IO	62
3.5 Electrical Characteristics for PLL	63
3.6 Electrical Characteristics for SAR-ADC	64
3.7 Electrical Characteristics for USB OTG/Host2.0 Interface.....	64
3.8 Electrical Characteristics for USB Host1.1 Interface	65
3.9 Electrical Characteristics for DDR IO.....	65
3.10 Electrical Characteristics for eFuse.....	65
Chapter 4 Hardware Guideline.....	66
4.1 Reference design for RK2918 oscillator PCB connection	66
4.2 Reference design for PLL PCB connection	66
4.3 Reference design for USB OTG/Host2.0 connection	67
4.4 RK2918 Power up/down sequence requirement	68
4.5 RK2918 Power on reset descriptions.....	68

Figure Index

Fig. 1-1 RK2918 Block Diagram.....	20
Fig. 2-1 RK2908 Ball Mapping Diagram.....	24
Fig. 2-2 RK2908 TFBGA512 Package Top View	58
Fig. 2-3 RK2908 TFBGA512 Package Side View	58
Fig. 2-4 RK2908 TFBGA512 Package Bottom View.....	59
Fig. 2-5 RK2908 TFBGA512 Package Dimension.....	59
Fig. 4-1 External reference circuit for 24MHz/27MHz oscillators.....	66
Fig. 4-2 External reference circuit for 32.768KHz oscillator.....	66
Fig. 4-3 External reference circuit for PLL	67
Fig. 4-4 RK2918 USB OTG/Host2.0 interface reference connection.....	67
Fig. 4-5 RK2918 reset signals sequence.....	68

Rockchip Confidential

Table Index

Table 2-1 RK2908 Pin Number Order Information.....	25
Table 2-2 RK2918 Power/Ground IO informations.....	30
Table 2-3 RK2908 IO descriptions.....	34
Table 2-4 RK2918 IO function description list	49
Table 2-5 RK2918 IO Type List	56
Table 3-1 RK2918 absolute maximum ratings.....	60
Table 3-2 RK2918 recommended operating conditions	60
Table 3-3 RK2918 DC Characteristics	61
Table 3-4 RK2918 Electrical Characteristics for Digital General IO.....	62
Table 3-5 RK2918 Electrical Characteristics for PLL.....	63
Table 3-6 RK2918 Electrical Characteristics for SAR-ADC.....	64
Table 3-7 RK2918 Electrical Characteristics for USB OTG/Host2.0 Interface.....	64
Table 3-8 RK2918 Electrical Characteristics for USB Host1.1 Interface.....	65
Table 3-9 RK2918 Electrical Characteristics for DDR IO	65
Table 3-10 RK2918 Electrical Characteristics for eFuse.....	65

Chapter 1 Introduction

RK2918 is a low power, high performance processor solution for mobile phones, personal mobile internet device and other digital multimedia applications.

RK2918 integrates an ARM Cortex-A8 with one NEON coprocessor. Many embedded powerful hardware accelerators provide optimized hardware performance for high-end application. RK2918 supports almost full-format video decoder by 1080p@30fps such as H264, H263, RMVB, MPEG2, MPEG4, VC1, AVS, VP8 etc. Also supports H.264 encoder by 1080P@30fps, high-quality JPEG encoder/decoder and special image preprocessor and postprocessor.

Embedded 2D/3D hardware engine makes RK2918 completely compatible with OpenGL ES2.0, OpenGL ES1.1 and OpenVG graphics standards.

RK2918 has high-performance external memory interface (DDRIII/DDRII/LPDDR) capable of sustaining demanding memory bandwidths, also provides a complete set of peripheral interface to support very flexible applications as follows:

- 2 banks, 8bits/16bits Nor Flash/SRAM interface
- 8 banks, 8bits/16bits Async NAND FLASH, LBA NANDN Flash, 8bits sync ONFI NAND Flash, all embedded 24bits HW ECC
- 2 ranks, 2GB Memory space, 16bits/32bits DDRIII,DDRII-800,LPDDR-400
- 8bits HS-MMC/SD, 4bits SDIO, 8bits eMMC interface
- 24bits high-performance, 3-layers TFT LCD Controller with post-processor, 1920x1080 maximum display size
- eBook display interface with 2048x2048 maximum resolution
- 8bits sensor/CCIR656 interface and 10bits/12bits Raw data interface
- 2ch I2S interface, 8ch I2S interface, PCM/SPDIF interface
- USB OTG 2.0/USB Host2.0/ USB Host 1.0
- RMII/MII interface
- High-speed ADC interface, TS stream interface
- 8bits/16bits async modem interface
- 4x I2C, 4xUART with hardware flow-control , 2x SPI , PWM

This document will provide guideline on how to use RK2918 correctly and efficiently. In them, the chapter 1 and chapter 2 will introduce the features, block diagram, and signal descriptions and system usage of RK2918, the chapter 3 through chapter 46 will describe the full function of each module in detail.

1.1 Features

1.1.1 Microprocessor

- ARM Cortex-A8 processor is a high-performance, low-power, cached application processor that provides full virtual memory capabilities
- Full implementation of the ARM architecture v7-A instruction set
- superscalar processor featuring technology for enhanced code density and performance
- Embedded NEON technology for multimedia and signal processing by executing Advanced SIMD and VFP instruction sets
- Jazelle RCT Java-acceleration technology for efficient support of ahead-of-time and just-in-time compilation of Java and other byte code language
- Thumb-2 technology for greater performance, energy efficiency and code density
- TrustZone technology for secure transactions and DRM
- 13-stage main integer core pipeline and 10-stage NEON media core pipeline
- Dynamic branch prediction with branch target address cache, global history buffer and 8-entry return stack
- MMU and separate instruction and data TLBs of 32 entries each
- 64-bit high-speed AXI interface supporting multiple outstanding transactions
- Integrated 32KB L1 instruction cache , 32KB L1 data cache, 512KB L2 Cache with parity and ECC check
- ETM support for non-invasive debug, support JTAG and 8-wire trace interface

- ARMv7 debug with watchpoint and breakpoint registers and a 32-bit APB slave interface to a coresight debug system
- Four separate power domain to support Internal power switch on/off based on different application scene(Integer core/ETM&DBG/Neon/L2 Cache)
- Maximum frequency can be up to 650MHz@worst case and 1GHz@typical case

1.1.2 Memory Organization

- Internal on-chip memory
 - 10KB Boot Rom
 - 16KB internal SRAM for security and non-security access, detailed size is programmable
 - 4KB internal SRAM shared with Host slave interface (HIF)
 - 2KB internal SRAM shared with NAND controller
- External off-chip memory[®]
 - DDRIII, DDRII-800, 16/32bits data width, 2 ranks, 1GB(max) address space per rank
 - LPDDR-400, 32bits data width, 2 ranks, 1GB(max) address space per rank
 - Async SRAM/Nor Flash, 8/16bits data width, 2banks, 1MB(max) address space per bank
 - Async NAND Flash(include LBA NAND), 8/16bits data width, 8 banks
 - Sync DDR NAND Flash, 8bits data width, 8 banks

1.1.3 Internal Memory

- Internal Boot Rom
 - Size : 10KB
 - Support system boot from the following device :
 - ◆ 8bits/16bits Async NAND Flash
 - ◆ SPI0 interface
 - ◆ eMMC interface
 - Support system code download by the following interface:
 - ◆ USB OTG
 - ◆ UART1
- Internal SRAM
 - Size : 16KB
 - Support security and non-security access
 - Security or non-security space is software programmable , used together with TZMA module
 - Security space can be 0KB, 4KB, 8KB, 12KB, 16KB continuous size

1.1.4 External Memory or Storage device

- Dynamic Memory Interface (DDRIII/DDRII/LPDDR)
 - Compatible with JEDEC standard DDRIII/DDRII/LPDDR SDRAM
 - Data rates of up to 800Mbps(400MHz) for DDRII and up to 400Mbps(200MHz) for LPDDR
 - Support up to 2 ranks (chip selects), maximum 1GB address space per rank
 - 16bits/32bits data width is software programmable
 - 5 host ports with 64bits AXI bus interface for system access, AXI bus clock asynchronous with DDR clock
 - Programmable timing parameters support DDRIII/DDRII/LPDDR SDRAM from various vendor
 - Advanced command reordering and scheduling to maximize bus utilization
 - Low power modes, such as power-down and self-refresh for DDRII/LPDDR SDRAM; clock stop and deep power-down for LPDDR SDRAM
 - Programmable ultra-high priority port(port0), typically a CPU port
 - Compensation for board delays and variable latencies through programmable pipelines
 - Embedded dynamic drift detection in the PHY to get dynamic drift compensation

- with the controller
- Programmable output and ODT impedance with dynamic PVT compensation
- Support one low-power work mode: power down DDR PHY and most of DDR IO except two CS and two CKE output signals, make SDRAM still in self-refresh state to prevent data missing.
- Static Memory Interface (ASRAM/Nor Flash)
 - Compatible with standard async SRAM or Nor Flash
 - Support up to 2 banks (chip selects), maximum 1MB address space per bank
 - For bank0, 8bits/16bits data width is software programmable; For bank1, 16bits data width is fixed
 - Support separately data and address bus, also support shared data and address bus to save IO numbers
- NAND Flash Interface
 - Support 8bits/16bits async NAND flash, up to 8 banks
 - Support 8bits sync DDR NAND flash, up to 8 banks
 - Support LBA NAND flash in async or sync mode
 - 16bit/1KB HW ECC, compatible with 8bit/512B
 - 24bit/1KB HW ECC, compatible with 12bit/512B
 - For DDR NAND flash, support DLL bypass and 1/4 or 1/8 clock adjust, maximum clock rate is 75MHz
 - For async NAND flash, support configurable interface timing , maximum data rate is 16bit/cycle
 - Embedded two 256x32bits buffers to support ping-pong operation
 - Embedded AHB master interface to do data transfer by DMA method
 - Also support data transfer by AHB slave interface together with external DMAC1
- eMMC Interface
 - Compatible with standard INAND interface
 - Support MMC4.2 protocol
 - Provide eMMC boot sequence to receive boot data from external eMMC device
 - One AHB slave interface to complete data transfer together with external DMAC1 or CPU
 - Support combined single FIFO(32x32bits) for both transmit and receive operations
 - Support FIFO over-run and under-run prevention by stopping card clock automatically
 - Support CRC generation and error detection
 - Embedded clock frequency division control to provide programmable baud rate
 - Support host pull-up control, card detection and initialization, write protection
 - Support block size from 1 to 65535Bytes
 - Data bus width is 8bits
- SD/MMC Interface
 - Compatible with SD ver2.00, CE-ATA ver1.1, MMC ver4.2
 - One AHB slave interface to complete data transfer together with external DMAC1 or CPU
 - Support combined single FIFO(32x32bits) for both transmit and receive operations
 - Support FIFO over-run and under-run prevention by stopping card clock automatically
 - Support CRC generation and error detection
 - Embedded clock frequency division control to provide programmable baud rate
 - Support host pull-up control, card detection and initialization, write protection
 - Support block size from 1 to 65535Bytes
 - Data bus width is flexible to support 1bit/4bits for SD mode and 1bit/4bits/8bits for MMC mode

1.1.5 System Component

- CRU (clock & reset unit)
 - Support clock gating control for individual components inside RK2918
 - Support soft-reset control for individual components inside RK2918
 - Support flexible clock solution, including clock source, clock MUX, clock frequency division
 - Four embedded PLLs, source can be from two external 24MHz or 27MHz oscillator input, also support two-level cascaded PLL to meet special clock frequency requirement
 - Up to 1.6GHz clock output for ARM PLL, up to 1.0GHz clock output for another three PLLs
- PMU(power management unit)
 - Provide five work modes(slow mode, normal mode, idle mode, stop mode, power-down mode) to save power by different frequency or automatically clock gating control or power domain on/off control
 - Idle mode can be wakeup by any interrupt from every on-chip components or external GPIO
 - Stop mode and power-down mode can be wakeup by external dedicated IO or 96 different GPIOs or RTC alarm
 - Provide 9 separately power domains, which can be power up/down by software based on different application scenes
- RTC
 - Provides Year, Month, Day, Weekday, Hours, Minutes and Seconds Information based on 32.768KHz input clock
 - Programmable alarm with interrupt generation, which can be maskable
 - Programmable alarm to wake up external PMU device by output control pin
 - Provide some registers for storage system information in RK2918 power off mode
 - Only need 1.2V power supply if not talk with external PMU
- Timer
 - Four on-chip 32bits Timers with interrupt-based operation
 - Provide two operation modes: free-running and user-defined count
 - Support timer work state checkable
 - timer0 and timer1 are for CPU system domain, timer2 and timer3 are for peri system domain
 - support independent fixed clock for timer0 and timer1 from external 24MHz clock input, asynchronous with APB bus clock
 - support dependent clock for timer2 and timer3 from system, same as APB bus clock
- PWM
 - Four on-chip PWMs with interrupt-based operation
 - Programmable 4-bit pre-scalar from apb bus clock
 - Embedded 32-bit timer/counter facility
 - Support single-run or continuous-run PWM mode
 - Support maskable interrupt
 - Provides reference mode and output various duty-cycle waveform
 - Provides capture mode and measure the duty-cycle of input waveform
- WatchDog
 - 32 bits watchdog counter width
 - Counter clock is from APB bus clock
 - Counter counts down from a preset value to 0 to indicate the occurrence of a timeout

- WDT can perform two types of operations when timeout occurs:
 - ◆ Generate a system reset
 - ◆ First generate an interrupt and if this is not cleared by the service routine by the time a second timeout occurs then generate a system reset
- Programmable reset pulse length
- Totally 16 defined-ranges of main timeout period
- Bus Architecture
 - 64-bit multi-layer AXI/AHB composite bus architecture
 - Six embedded AXI interconnect
 - ◆ CPU L1 interconnect with two 64-bits AXI masters and six 32/64bits AXI slaves
 - ◆ CPU L2 interconnect with one 32-bits AXI master, 32-bits AXI slave and lots of 32-bits AHB /APB slaves
 - ◆ Peri interconnect with two 64-bits AXI masters, one 64-bits AXI slave, one 32-bits AXI slave, two 32-bits AHB masters and lots of 32-bits AHB/APB slaves
 - ◆ Display interconnect with three 64-bits AXI masters, two 32-bits AHB masters and one 64-bits AXI slave
 - ◆ GPU and VCODEC interconnect also with one 64-bits AXI master and one 64-bits AXI slave ,they are point-to-point AXI-lite architecture
 - For each interconnect with AXI/AHB/APB composite bus, clocks for AXI/AHB/APB domains are always synchronous, and different integer ratio is supported for them.
 - For CPU L1/CPU L2/Peri three interconnects, provide GPV registers to be programmed by software to support different application scenes
- Interrupt Controller
 - Support 71 interrupt sources input from different components inside RK2918 or GPIO
 - Support 16 software-triggered interrupts
 - Two AXI slave interfaces for shared distributor and cpu to manage individual registers with different intention
 - Input interrupt level is fixed , only high-level sensitive
 - Two interrupt output (nFIQ and nIRQ) to Cortex-A8, both are low-level sensitive
 - Support different interrupt priority for each interrupt source, and they are always software-programmable
 - Support security extension to make some registers only be accessed in system security mode
- DMAC
 - Micro-code programming based DMA
 - The specific instruction set provides flexibility for programming DMA transfers
 - Linked list DMA function is supported to complete scatter-gather transfer
 - Support internal instruction cache
 - Embedded DMA manager thread
 - Support data transfer types with memory-to-memory, memory-to-peripheral, peripheral-to-memory
 - Signals the occurrence of various DMA events using the interrupt output signals
 - Mapping relationship between each channel and different interrupt outputs is software-programmable
 - Two embedded DMA controller , DMAC0 is for CPU system, DMAC1 is for peri system
 - DMAC0 features:
 - ◆ 6 channels totally
 - ◆ 8 hardware request from peripherals
 - ◆ 3 interrupt output
 - ◆ Dual APB slave interface for register configure, designated as secure and

- non-secure
 - ◆ Support trustzone technology and programmable secure state for each DMA channel
 - DMAC1 features:
 - ◆ 7 channels totally
 - ◆ 20 hardware request from peripherals
 - ◆ 4 interrupt output
 - ◆ Not support trustzone technology
- Security system
 - Support trustzone technology for the following components inside RK2918
 - ◆ Cortex-A8, support security and non-security mode, switch by software
 - ◆ Interrupt controller, support some registers and dedicated interrupt sources to work only in security mode
 - ◆ DMAC0, support some dedicated channels work only in security mode
 - ◆ eFuse, only accessed by Cortex-A8 in security mode
 - ◆ Internal memory , part of space is addressed only in security mode, detailed size is software-programmable together with TZMA(trustzone memory adapter) and TZPC(trustzone protection controller)

1.1.6 Video CODEC

- Shared internal memory and bus interface for video decoder and encoder[®]
- Video Decoder
 - Real-time video decoder of MPEG-1, MPEG-2, MPEG-4, H.263, H.264 , AVS , VC-1 , RV , VP8 , Sorenson Spark
 - Error detection and concealment support for all video formats
 - Output data structure after decoder is YCbCr 4:2:0 semi-planar to have more efficient bus usage, For H.264, YCbCr 4:0:0(monochrome) is also supported
 - Minimum image size is 48x48 for all video formats
 - H.264 up to HP level 4.2 : 1080p@60fps (1920x1088)[®]
 - MPEG-4 up to ASP level 5 : 1080p@60fps (1920x1088)
 - MPEG-2 up to MP : 1080p@60fps (1920x1088)
 - MPEG-1 up to MP : 1080p@60fps (1920x1088)
 - H.263 : 576p@60fps (720x576)
 - Sorenson Spark : 1080p@60fps (1920x1088)
 - VC-1 up to AP level 3 : 1080p@30fps (1920x1088)
 - RV8/RV9/RV10 : 1080p@60fps (1920x1088)
 - VP6/VP7/VP8 : 1080p@60fps (1920x1088)
 - AVS : 1080p@60fps (1920x1088)
 - For AVS, 4:4:4 sampling not supported
 - For H.264, Image cropping not supported
 - For MPEG-4, GMC(global motion compensation) not supported
 - For VC-1, upscaling and range mapping are supported in image post-processor
 - For MPEG-4 SP/H.263/Sorenson spark, using a modified H.264 in-loop filter to implement deblocking filter in post-processor unit
- Video Encoder
 - Encoder only for H.264 ([BP@level4.0](#), [MP@level4.0](#), [HP@level4.0](#)) standard
 - Only support I and P slices, not B slices
 - Entropy encoding is CAVLC in BP and CABAC in MP
 - Support error resilience based on constrained intra prediction and slices
 - Maximum MV length is +/- 14 pixels in vertical direction and +/-30 pixels in horizontal direction
 - Motion vector pixel accuracy is up to 1/4 pixels in 720p resolution and 1/2 pixels in 1080p resolution
 - 12 intra prediction modes
 - Number of reference frames is 1
 - Maximum number of slice groups is 1

- Input data format :
 - ◆ YCbCr 4:2:0 planar
 - ◆ YCbCr 4:2:0 semi-planar
 - ◆ YCbYCr 4:2:2
 - ◆ CbYCrY 4:2:2 interleaved
 - ◆ RGB444 and BGR444
 - ◆ RGB555 and BGR555
 - ◆ RGB565 and BGR565
 - ◆ RGB888 and BRG888
 - ◆ RGB101010 and BRG101010
- Output data format : H.264 byte unit stream and H.264 NAL unit stream
- Image size is from 96x96 to 1920x1088(Full HD)
- Maximum frame rate is up to 30fps@1920x1080[®]
- Bit rate supported is from 10Kbps to 20Mbps

1.1.7 JPEG CODEC

- JPEG decoder
 - Input JPEG file : YCbCr 4:0:0, 4:2:0, 4:2:2, 4:4:0, 4:1:1 and 4:4:4 sampling formats
 - Output raw image : YCbCr 4:0:0, 4:2:0, 4:2:2, 4:4:0, 4:1:1 and 4:4:4 semi-planar
 - Decoder size is from 48x48 to 8176x8176(66.8Mpixels)
 - Maximum data rate[®] is up to 76million pixels per second
 - Thumbnail decoding and error detection is supported
 - Non-interleaved data order not supported
- JPEG encoder
 - Input raw image :
 - ◆ YCbCr 4:2:0 planar
 - ◆ YCbCr 4:2:0 semi-planar
 - ◆ YCbYCr 4:2:2
 - ◆ CbYCrY 4:2:2 interleaved
 - ◆ RGB444 and BGR444
 - ◆ RGB555 and BGR555
 - ◆ RGB565 and BGR565
 - ◆ RGB888 and BRG888
 - ◆ RGB101010 and BRG101010
 - Output JPEG file : JFIF file format 1.02 or Non-progressive JPEG
 - Encoder image size up to 8192x8192(64million pixels) from 96x32
 - Maximum data rate[®] up to 90million pixels per second
 - Support thumbnail insertion with RGB8bits, RGB24bits and JPEG compressed thumbnails

1.1.8 Image Enhancement

- Image pre-processor
 - Only used together with video encoder inside RK2918 , not support stand-alone mode
 - Provides RGB to YCbCr 4:2:0 color space conversion, compatible with BT.601 , BT.709 or user defined coefficients
 - Provides YCbCr4:2:2 to YCbCr4:2:0 color space conversion
 - Support cropping operation from 8192x8192 to any supported encoding size
 - Support rotation with 90 or 270 degrees
- Video stabilization
 - Work in combined mode with video encoder inside RK2918 and stand-alone mode
 - Maximum stabilization displacement in pixels for two sequential input video

- pictures is +/- 16 pixels
- Adaptive motion compensation filter
- Offset around stabilized picture is minimum 8 pixels in standalone mode and 16 pixels in combined mode
- Support scene detection from video sequence, encodes key frame when scene change noticed
- Image post-processor
 - Combined with video/jpeg decoder, post-processor can read input data directly from decoder output to reduce bus bandwidth
 - Also work as a stand-alone mode, its input data is from a camera interface or other image data stored in external memory
 - Input data format :
 - ◆ any format generated by video decoder in combined mode
 - ◆ YCbCr 4:2:0 semi-planar
 - ◆ YCbCr 4:2:0 planar
 - ◆ YCbYCr 4:2:2
 - ◆ YCrYCb 4:2:2
 - ◆ CbYCrY 4:2:2
 - ◆ CrYCbY 4:2:2
 - Output data format:
 - ◆ YCbCr 4:2:0 semi-planar
 - ◆ YCbYCr 4:2:2
 - ◆ YCrYCb 4:2:2
 - ◆ CbYCrY 4:2:2
 - ◆ CrYCbY 4:2:2
 - ◆ Fully configurable ARGB channel lengths and locations inside 32bits, such as ARGB 32bit(8-8-8-8),RGB 16bit(5-6-5),ARGB 16bit(4-4-4-4)
 - Input image size:
 - ◆ Combined mode : from 48x48 to 8176x8176 (66.8Mpixels)
 - ◆ Stand-alone mode : width from 48 to 8176,height from 48 to 8176, and maximum size limited to 16.7Mpixels
 - ◆ Step size is 16 pixels
 - Output image size: from 16x16 to 1920x1088 (horizontal step size 8,vertical step size 2)
 - Support image up-scaling :
 - ◆ Bicubic polynomial interpolation with a four-tap horizontal kernel and a two-tap vertical kernel
 - ◆ Arbitrary non-integer scaling ratio separately for both dimensions
 - ◆ Maximum output width is 3x input width
 - ◆ Maximum output height is 3x input height, and 2.5x input height when running RV/VP7/VP8 format decoder
 - Support image down-scaling:
 - ◆ Arbitrary non-integer scaling ratio separately for both dimensions
 - ◆ Unlimited down-scaling ratio
 - Not allowed to perform horizontal up-scaling and vertical down-scaling at the same time
 - Support YCbCr to RGB color conversion, compatible with BT.601-5 ,BT.709 and user definable conversion coefficient
 - Support dithering (2x2 ordered spatial dithering for 4,5,6bit RGB channel precision)
 - Support programmable alpha channel and alpha blending operation with the following overlay input formats:
 - ◆ 8bit alpha value+YCbCr4:4:4,big endian channel order being AYCbCr, 8bits each
 - ◆ 8bit alpha value+24bit RGB,big endian channel order being ARGB,8bits each
 - Support deinterlacing with conditional spatial deinterlace filtering, only compatible with YCbCr4:2:0 input format

- Support RGB image contrast / brightness / color saturation adjustment
- Support image cropping & digital zoom only for JPEG or stand-alone mode
- Support picture in picture
- Support image rotation (horizontal flip, vertical flip, rotation 90,180 or 270 degrees)

1.1.9 Graphics Engine

- Compatible with OpenGL ES2.0 , OpenGL ES1.1, OpenVG1.1, DirectFB, GDI/DirectDraw, EGL1.4
- Support shader model3.0
- Geometry rate : 60M tri/s
- Depth-only Pixel rate : 600M pix/s
- Textured Pixel rate : 600M pix/s
- Vertex rate : 300M vert/s
- 2D Graphics Engine :
 - Bit Blit, Stretch Blit, Filter Blit
 - Rectangle fill and clear
 - Line drawing
 - Copy bit
 - Filter
 - High-performance stretch and shrink
 - Monochrome expansion for text rendering
 - ROP2,ROP3,ROP4 full alpha blending and transparency
 - Alpha blending modes including Java 2 Porter-Duff compositing blending rules, chroma key, and pattern mask
 - Transparency by monochrome mask
 - 32K x 32K raster 2D coordinate system
 - 90,180 and 270 degrees rotation on every 2D primitive
 - Programmable high quality 9-tap,32-phase filter to support image scaling
 - Blending, scaling and rotation are supported in one pass for stretch Blit
 - Source format :
 - ◆ RGBA4444,5551,8888
 - ◆ RGBX4444,5551,8888
 - ◆ RGB565
 - ◆ UYVY4:2:2, YUY2(4:2:2),YV12(4:2:0)
 - Destination formats :
 - ◆ RGBA4444,5551,8888
 - ◆ RGBX4444,5551,8888
 - ◆ RGB565
- 3D Graphics Engine :
 - IEEE 32-bit floating-point pipeline
 - Ultra-threaded, unified vertex and fragment shaders
 - Low CPU loading and low bandwidth at both high and low data rates
 - Up to 12 programmable elements per vertex
 - Dependent texture operation with high-performance
 - Alpha blending
 - Support video texture
 - Depth and stencil compare
 - Support for 8 fragment shader simultaneous textures
 - Support for 12 vertex shader simultaneous textures
 - Point sampling,bit-linear sampling,tri-linear filtering and cubic textures
 - Resolve and fast clear
 - 8k x 8k texture size and 8k x 8k rendering target

1.1.10 Video IN/OUT

- Camera Interface
 - Support CMOS type image sensor interface

- Support CCIR656 interface
 - Support CCIR656 YCbCr 4:2:2 raster video input for 8bit mode in 525/60 NTSC and 625/50 PAL video system
 - Data input clock is 27MHz for CCIR656 and 24MHz/48MHz for sensor, and max up to 96MHz for raw data
 - Provide YUV 4:2:2/4:2:0 output
 - Support up to 3856x2764 resolution and maximum 10M pixels
 - Support YUYV/UYYV format input
 - Support 10/12-bit raw data input
 - In sensor mode, support software-programmable vsync and href high active or low active
 - Embedded AXI 64bits master interface to improve performance, also compatible with AHB 32bits master interface
- Display Interface
 - Image Post-Processor (IPP)
 - ◆ memory to memory mode
 - ◆ input data format and size
 - RGB888 : 16x16 to 8191x8191
 - RGB565 : 16x16 to 8191x8191
 - YUV422/YUV420 : 16x16 to 8190x8190
 - YUV444 : 16x16 to 8190x8190
 - ◆ pre scaler
 - integer down-scaling(ratio: 1/2,1/3,1/4,1/5,1/6,1/7,1/8) with linear filter
 - deinterlace(up to 1080i) to support YUV422&YUV420 input format
 - ◆ post scaler
 - down-scaling with 1/2 ~ 1 arbitrary non-integer ratio
 - up-scaling with 1~4 arbitrary non-integer ratio
 - 4-tap vertical, 2-tap horizontal filter
 - The max output image width of post scaler is 4096
 - ◆ Support rotation with 90/180/270 degrees and x-mirror, y-mirror
 - LCD Controller
 - ◆ Display Interface
 - Parallel RGB LCD Interface:
 - 24bit(RGB888)
 - 18bit(RGB666)
 - 16bit(RGB565)
 - Serial RGB LCD Interface:
 - 3x8bit (RGB delta support)
 - 3x8bit + dummy
 - 16bit + 8bit
 - MCU LCD interface:
 - I-8080 (up to 24-bit RGB)
 - Hold/Auto/Bypass modes
 - TV interface : ITU-R BT.656(8-bits, 480i/576i/1080i)
 - ◆ Display Process
 - One background layer: programmable 24-bit color
 - One video layer(win0)
 - ARGB888, RGB565, YCbCr422, YCbCr420, YCbCr444, AYCbCr
 - maximum resolution is 1920x1080
 - virtual display
 - 1/8 to 8 scaling-down and scaling-up engine with arbitrary non-integer ratio
 - 256 level alpha blending(no scaling in ARGB/AYCbCr mode)
 - transparency color key
 - deflicker support for interlace output
 - sharp/smooth filter

- One graphic layer(win1)
 - RGB888, ARGB888, RGB565
 - maximum resolution is 1920x1080
 - virtual display
 - 256 level alpha blending
 - transparency color key
- One OSD layer(win2)
 - 1/2/4/8bpp palette mode
 - maximum resolution is 1920x1080
 - 8-bit alpha Alpha
 - transparency color key
- Hardware cursor(HWC)
 - 32x32x2bpp
 - 3-color and transparent mode
 - 2-color + transparency + tran_invert mode
 - 16 level alpha blending
- ◆ 3 x 256 x 8 bits display LUTs
- ◆ Graphic layer and video layer overlay exchangeable
- ◆ Support color space conversion : YCbCr-to-RGB(rec601-mpeg/rec601-jpeg/rec709) and RGB-to-YCbCr
- ◆ Support replication(16-bit to 24-bit) and dithering(24-bit to 16-bit/18-bit) operation
- ◆ Blank and black display
- ◆ Standby mode
- eBook display controller
 - ◆ System interface
 - AHB slave for register configuration
 - AHB master for frame data transfer (DMA)
 - Interrupt output
 - ◆ EPD interface
 - up to 2048x2048 resolution
 - up to 16 level gray scale
 - LUT can be updated
 - direct mode and LUT mode
 - all-update mode and diff-update mode
 - single-phase and multi-phase mode
 - support window display
 - source driver interface
 - gate driver interface

1.1.11 Audio Interface

- I2S/PCM with 8ch
 - Compatible audio resolution from 16bits to 32bits
 - Sample rate up to 192KHz
 - Provides master and slave work mode, software configurable
 - Embedded 4 TX FIFO and 1 RX FIFO with 32x32bits size
 - Support I2S normal , left-justified , right-justified three data formats in I2S mode
 - Support early , late1 , late2 , late3 four data formats in PCM mode
 - For I2S mode only, support software-configurable channel number(TX : 2/4/6/8; RX:2)
 - For PCM mode only, support software-configurable channel number(TX : 2/4/6/8; RX:2)
 - In master TX mode, Support I2S and PCM work simultaneously in condition of same audio data and same sample rate , and only use two channels separately for I2S and PCM
 - Support SCLK and LRCK polarity software-configurable
 - SCLK can be even-divided by 2 to 64 from i2s main clock

- I2S/PCM with 2ch
 - Compatible audio data width from 16bits to 32bits
 - Sample rate up to 192KHz
 - Provides master and slave work mode, software configurable
 - Embedded 1 TX FIFO and 1 RX FIFO with 32x32bits size
 - Support I2S normal mode, I2S left-justified mode , I2S right-justified mode
 - Support PCM early mode , late1 mode, late2 mode , late3 mode
 - I2S and PCM cannot be used at the same time
 - Support SCLK and LRCK polarity software-configurable
 - SCLK can be even-divided by 2 to 64 from i2s main clock
- SPDIF
 - Embedded one 32x32bits buffer
 - Provides audio data with biphasic encode
 - Support stereo voice replay with 2 channels
 - Support software configurable sample rates (48KHz, 44.1KHz, 32KHz)
 - Support audio data width 16bits/20bits/24bits
 - Frame frequency is 128x audio data sample rates

1.1.12 Connectivity

- SDIO interface
 - Compatible with SDIO ver1.00
 - One AHB slave interface to complete data transfer together with external DMAC1 or CPU
 - Support combined single FIFO(32x32bits) for both transmit and receive operations
 - Support FIFO over-run and under-run prevention by stopping card clock automatically
 - Support CRC generation and error detection
 - Embedded clock frequency division control to provide programmable baud rate
 - Support host pull-up control, card detection and initialization, write protection
 - Support block size from 1 to 65535Bytes
 - Data bus width is flexible to support 1bit/4bits
 - Support SDIO suspend and resume operation
 - Support SDIO read wait
- Host Slave Interface
 - Asynchronous 8bits/16bits 68/80 series MCU interface
 - Support direct and indirect access mode
 - On-chips 4KB dual-port SRAM buffer for direct access
 - In indirect mode, host interface can access any of space inside or outside of RK2918
- High-speed ADC & TS stream interface
 - Only support one-channel (only I, not Q channel) 8bits/10bits data input
 - DMA-based and interrupt-based operation
 - Support 8bits TS stream data receive
 - Support PID filter operation
 - ◆ Combined with high-speed ADC interface to implement filter from original TS data
 - ◆ Provide PID filter up to 64 channels PID simultaneously
 - ◆ Support sync-byte detection in transport packet head
 - ◆ Support packet lost mechanism in condition of limited bandwidth
- MAC 10/100M Ethernet Controller
 - IEEE802.3u compliant Ethernet Media Access Controller(MAC)
 - 10Mbps and 100Mbps compatible

- Automatic retry and automatic collision frame deletion
- Full duplex support
- PAUSE full-duplex flow-control support
- Address filtering(broadcast, multicast, logical, physical)
- Support RMII(Reduced MII) and MII(Media Independent Interface) mode
- In RMII mode, clock can be from RK2918 or external Ethernet PHY

- SPI Controller
 - Two on-chip SPI controller inside RK2918
 - Support serial-master and serial-slave mode, software-configurable
 - DMA-based or interrupt-based operation
 - Embedded two 32x16bits FIFO for TX and RX operation respectively
 - Support 2 chip-selects output in serial-master mode

- UART Controller
 - Four on-chip UART controller inside RK2918
 - DMA-based or interrupt-based operation
 - Embedded two 32Bytes FIFO for TX and RX operation respectively
 - Support 5bit,6bit,7bit,8bit serial data transmit or receive
 - Standard asynchronous communication bits such as start, stop and parity
 - Support different input clock for UART operation to get up to 4Mbps or other special baud rate
 - Support non-integer clock divides for baud clock generation
 - Support IrDA1.0 SIR(115.2Kbps) mode for UART1
 - Auto flow control mode is only for UART0,UART2,UART3

- I2C controller
 - Four on-chip I2C controller in RK2918
 - Multi-master I2C operation
 - Support 7bits and 10bits address mode
 - Software programmable clock frequency and transfer rate up to 400Kbit/s in the fast mode
 - Serial 8bits oriented and bidirectional data transfers can be made at up to 100Kbit/s in the standard mode

- GPIO
 - 7 groups of GPIO (GPIO0~GPIO6) , 32 GPIOs per group, totally have 224 GPIOs
 - All of GPIOs can be used to generate interrupt to cortex-A8
 - In power-down mode, status(IO direction and output level) of GPIO0~GPIO5 can be controlled by another registers in always-on domain
 - Totally 96 GPIOs(GPIO0,GPIO4,GPIO6) can be used to wakeup system from stop mode or power-down mode
 - All of pull-up GPIOs are software-programmable for pull-up resistor or not
 - All of pull-down GPIOs are software-programmable for pull-down resistor or not
 - All of GPIOs are pull-up or pull-down in default except GPIO1[5] MUX with PWM3 after power-on-reset
 - All of GPIOs are always in input direction in default after power-on-reset

- USB Host1.1
 - Compatible with USB host1.1 specification
 - Only supports full-speed transfer up to 12Mbps
 - Provides 6 host mode channels
 - Support periodic out channel

- USB Host2.0
 - Compatible with USB host2.0 specification
 - Supports high-speed(480Mbps), full-speed(12Mbps) and low-speed(1.5Mbps) mode

- Provides 3 host mode channels
- USB OTG2.0
 - Compatible with USB otg2.0 specification
 - Supports high-speed(480Mbps), full-speed(12Mbps) and low-speed(1.5Mbps) mode
 - Support up to 6 device mode endpoints in addition to control endpoint 0
 - Support up to 4 device mode IN endpoints including control endpoint 0
 - Endpoints 1/3/5 can be used only as data IN endpoint
 - Endpoints 2/4/6 can be used only as data OUT endpoint
 - Provides 6 host mode channels
 - Support periodic out channel in host mode

1.1.13 Others

- SAR-ADC(Successive Approximation Register)
 - 4-channel single-ended 10-bit SAR analog-to-digital converter
 - Conversion speed range is from 0.1 to 1 MSPS
 - SAR-ADC clock must be less than 1MHz
 - DNL less than ± 1 LSB , INL less than ± 2.0 LSB
 - Power down current is about 1uA
 - 2.5V Power supply for analog interface
- eFuse
 - 1024bits (128x8) high-density electrical Fuse
 - Programming condition : VQPS must be 2.5V($\pm 10\%$)
 - Program time is about 4~6us
 - Read condition : VQPS must be 0V or floating or 2.5V($\pm 10\%$)
 - Provide power-down and standby mode
- Package Type
 - TFBGA512 (body: 16mm x 16mm ; ball size : 0.3mm ; ball pitch : 0.65mm)

Notes : ①: DDRII and LPDDR are not used simultaneously as well as async and sync DDR NAND flash

②: In RK2918, Video decoder and encoder are not used simultaneously because of shared internal buffer

③: Actual maximum frame rate will depend on the clock frequency and system bus performance

④: Actual maximum data rate will depend on the clock frequency and JPEG compression rate

1.2 Block Diagram

The following diagram shows the basic block diagram for RK2918.

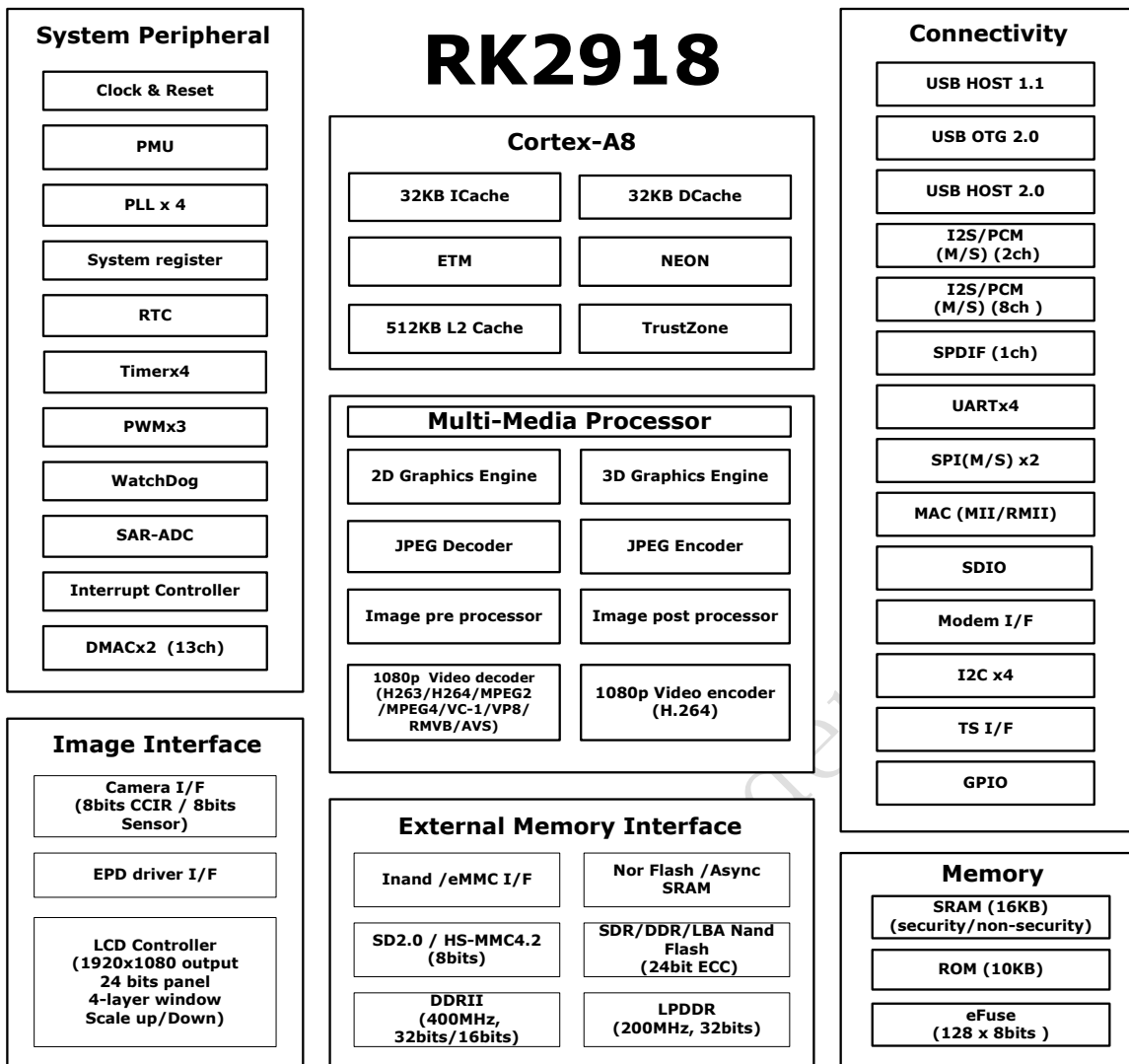


Fig. 1-1 RK2918 Block Diagram

Chapter 2 Package Description

2.1 Ball Map

	1	2	3	4	5	6	7	8	9	10	11	12
A	GPIO6_A[0]	GPIO6_B[7]	GPIO1_C[0]/ UART0_CTS_N/ SDMMC1_DETECT_N	GPIO3_A[5]/ I2S1_LRCK_TX	GPIO3_A[4]/ I2S1_SDO	GPIO5_D[6]/ SDMMC1_PWR_EN	GPIO5_D[5]/ SDMMC0_PWR_EN	GPIO2_B[2]/ UART3_SIN	GPIO1_A[5]/ EMMC_PWR_EN/ PWM3	GPIO1_A[4]/EMMC _WRITE_PRT/SPI0_ CSN1	GPIO6_C[2]	GPIO1_A[6]/ I2C1_SDA
B	GPIO6_B[6]	GPIO6_B[5]	GPIO6_A[1]	GPIO2_A[7]/ UART2_RTS_N	GPIO3_A[3]/ I2S1_SDI	GPIO3_A[1]/ I2S1_SCLK	GPIO5_D[2]/ PWM1/ UART1_SIR_IN	GPIO5_D[3]/ I2C2_SDA	GPIO2_A[3]/ SDMMC0_WRITE_P RT/ PWM2/ UART1_SIR_OUT	GPIO2_A[2]/ SDMMC0_DETECT_N	GPIO4_A[6]/ OTG1_DRV_VBUS	GPIO1_A[7]/ I2C1_SCL
C	GPIO6_A[5]	GPIO6_B[4]	GPIO6_A[2]	GPIO1_C[1]/ UART0_RTS_N/ SDMMC1_WRITE_P RT	GPIO2_A[6]/ UART2_CTS_N	GPIO3_A[2]/ I2S1_LRCK_RX	GPIO2_A[4]/ UART1_SIN	GPIO1_B[5]/ PWM0	GPIO2_B[6]/ I2C0_SDA	GPIO4_D[4]	GPIO6_C[6]	GPIO6_C[0]
D	GPIO6_A[6]	GPIO6_A[7]	GPIO6_B[3]	GPIO6_A[3]	GPIO1_B[7]/ UART0_SOUT	GPIO2_B[4]/ UART3_CTS_N/ I2C3_SDA	GPIO3_A[0]/ I2S1_CLK	GPIO1_B[6]/ UART0_SIN	GPIO5_D[4]/ I2C2_SCL	GPIO2_B[7]/ I2C0_SCL	GPIO0_A[7]/ MII_MDCLK	GPIO4_D[0]
E	GPIO6_B[0]	GPIO5_A[0]	GPIO6_B[2]	GPIO5_A[2]	GPIO6_A[4]	GPIO2_B[0]/ UART2_SIN	GPIO2_B[5]/ UART3_RTS_N/ I2C3_SCL	GPIO2_B[1]/ UART2_SOUT	GPIO2_A[5]/ UART1_SOUT	GPIO6_C[5]	GPIO4_D[1]	GPIO6_C[1]
F	GPIO6_B[1]	GPIO0_A[1]	GPIO5_A[1]	GPIO0_A[0]	AVDD_DPLL	AHVDD_APLL	AHVSS_APLL	GPIO2_B[3]/ UART3_SOUT	GPIO4_D[3]	GPIO4_D[2]	GPIO4_D[5]	GPIO5_D[7]
G	XOUT24M	XIN24M	GPIO0_A[2]	GPIO0_A[4]	DVDD_APLL	AVSS_DPLL	DVSS_APLL	VDDIO_AP1	VDDIO_AP0	VDDCORE	VDDIO6	VDDCORE
H	XOUT27M	XIN27M	GPIO0_A[3]	GPIO4_A[3]	DVDD_DPLL	DVSS_DPLL	DVSS_CGPLL	NP	NP	NP	NP	NP
J	GPIO4_A[0]	GPIO4_A[1]	GPIO4_A[2]	GPIO4_A[4]	AVDD_CGPLL	DVDD_CGPLL	AVSS_CGPLL	NP	NP	NP	NP	NP
K	DQ[3]	DQ[2]	DQ[1]	DQ[0]	TRST_N	NPOR	VDDIO0	NP	NP	GND	GND	GND
L	DQS[0]	DQS_b[0]	DQ[5]	DQ[4]	TCK	TDI	VDDCORE	NP	NP	GND	GND	GND
M	DQ[7]	DQ[6]	DQ[17]	DM[0]	VSSIO_DDR0	TMS	TDO	NP	NP	GND	GND	GND

13	14	15	16	17	18	19	20	21	22	23	24	
GPIO2_C[5]/ SPI1_CSN0	GPIO3_C[2]/ SMC_ADDR[13]/ HOST_DATA[13]	GPIO3_D[1]/ SMC_ADDR[19]/ HOST_ADDR1	GPIO3_C[4]/ SMC_ADDR[11]/ HOST_DATA[11]	GPIO5_B[3]/ HSADC_DATA6	GPIO4_C[5]/ RMII_CRSDVVALID / MII_RXD_VALID	GPIO5_A[7]/ HSADC_DATA2	GPIO4_C[0]/ RMII_CLKOUT/ RMII_CLKIN	GPIO2_D[2]/ I2S0_LRCK_RX/ MII_TX_ERR	GPIO4_C[1]/ RMII_TX_EN/ MII_TX_EN	GPIO2_D[5]/ I2S0_SDO1/ MII_RXD3	GPIO2_D[6]/ I2S0_SDO2/ MII_TXD2	A
GPIO3_A[7]/ SMC_ADDR[15]/ HOST_DATA[15]	GPIO3_C[6]/ SMC_ADDR[16]/ HOST_DATA[16]	GPIO3_C[5]/ SMC_ADDR[12]/ HOST_DATA[12]	GPIO2_C[6]/ SPI1_TXD	GPIO5_B[2]/ HSADC_DATA5	GPIO5_A[3]/ MII_TX_CLKIN	GPIO5_B[5]/ HSADC_DATA8/ TS_VALID	GPIO5_A[5]/ HSADC_DATA0	GPIO4_D[7]/ I2S0_LRCK_TX1	GPIO2_D[3]/ I2S0_SDI/ MII_COL	GPIO4_C[6]/ RMII_RXD1/ MII_RXD1	GPIO1_D[4]/ SDMMC0_DATA2	B
GPIO5_B[6]/ HSADC_DATA9/ TS_FAIL	GPIO2_C[7]/ SPI1_RXD	GPIO4_A[7]/ SPDIF_TX	GPIO5_A[4]/ TS_SYNC	GPIO5_B[4]/ HSADC_DATA7	GPIO4_C[4]/ RMII_RX_ERR/ MII_RX_ERR	GPIO4_C[2]/ RMII_TXD1/ MII_TXD1	GPIO5_B[1]/ HSADC_DATA4	GPIO2_D[4]/ I2S0_SDO0/ MII_RXD2	GPIO2_A[0]/ SDMMC0_DATA6	GPIO1_D[6]/ SDMMC0_DATA4	GPIO2_D[7]/ I2S0_SDO3/ MII_TXD3	C
GPIO6_C[3]	GPIO2_C[0]/ SPI0_CLK	GPIO2_C[3]/ SPI0_RXD	GPIO3_C[7]/ SMC_ADDR[17]/ HOST_DATA[17]	GPIO3_D[2]/ HOST_CSN	GPIO0_A[6]/ MII_MD	GPIO3_D[4]/ HOST_WRN	GPIO1_D[2]/ SDMMC0_DATA0	GPIO4_C[3]/ RMII_TXD0/ MII_TXD0	GPIO1_D[0]/ SDMMC0_CLKOUT	GPIO3_B[7]/ EMMC_DATA5	GPIO1_C[2]/ SDMMC1_CMD	D
GPIO6_C[7]	GPIO2_C[1]/ SPI0_CSN0	GPIO2_C[2]/ SPI0_TXD	GPIO3_C[3]/ SMC_ADDR[10]/ HOST_DATA[10]	GPIO3_D[7]/ SMC_ADDR[9]/ HOST_DATA[9]	GPIO3_D[3]/ HOST_RDN	GPIO4_C[7]/ RMII_RXD0/ MII_RXD0	GPIO1_D[7]/ SDMMC0_DATA5	GPIO5_B[0]/ HSADC_DATA3	GPIO3_B[0]/ EMMC_CLKOUT	GPIO2_A[1]/ SDMMC0_DATA7	GPIO2_D[0]/ I2S0_CLK/ MII_RX_CLKIN	E
GPIO6_C[4]	GPIO3_D[0]/ SMC_ADDR[18]/ HOST_ADDR0	GPIO1_A[3]/ EMMC_DETECT_N/ SPI1_CSN1	GPIO2_C[4]/ SPI1_CLK	GPIO3_A[6]/ SMC_ADDR[14]/ HOST_DATA[14]	GPIO5_A[6]/ HSADC_DATA1	GPIO5_B[7]/ HSADC_CLKOUT	GPIO4_D[6]/ I2S0_LRCK_TX0	GPIO3_C[0]/ EMMC_DATA6	GPIO3_B[2]/ EMMC_DATA0	GPIO3_B[4]/ EMMC_DATA2	GPIO3_B[5]/ EMMC_DATA3	F
VDDIO5	VDDCORE	VDDIO4	VDDCORE	GPIO4_A[5]/ OTG0_DRV_VBUS	VDDIO3	GPIO1_D[5]/ SDMMC0_DATA3	GPIO1_D[1]/ SDMMC0_CMD	GPIO3_C[1]/ EMMC_DATA7	GPIO1_D[3]/ SDMMC0_DATA1	GPIO3_B[6]/ EMMC_DATA4	GPIO1_C[7]/ SDMMC1_CLKOUT	G
NP	NP	NP	NP	NP	GPIO1_C[5]/ SDMMC1_DATA2	GPIO1_C[6]/ SDMMC1_DATA3	GPIO2_D[1]/ I2S0_SCLK/ MII_CRSD	GPIO3_B[1]/ EMMC_CMD	GPIO1_C[3]/ SDMMC1_DATA0	GPIO1_C[4]/ SDMMC1_DATA1	GPIO3_B[3]/ EMMC_DATA1	H
NP	NP	NP	NP	NP	VDDCORE	GPIO0_D[6]/ FLASH_CSN5	GPIO1_A[0]/ FLASH_CSN7/ MDDR_TQ	GPIO0_A[5]/ FLASH_DQS	GPIO0_D[5]/ FLASH_CSN4	GPIO4_B[2]/ FLASH_DATA[10]	GPIO4_B[3]/ FLASH_DATA[11]	J
GND	GND	GND	NP	NP	VDDIO2	FLASH_WP	FLASH_WRN	GPIO4_B[6]/ FLASH_DATA[14]	GPIO0_D[3]/ FLASH_CSN2	GPIO0_D[4]/ FLASH_CSN3	GPIO0_D[2]/ FLASH_CSN1	K
GND	GND	GND	NP	NP	VDDCORE	FLASH_DATA[6]	GPIO4_B[0]/ FLASH_DATA[8]	FLASH_DATA[7]	FLASH_DATA[2]	FLASH_DATA[3]	GPIO0_D[7]/ FLASH_CSN6	L
GND	GND	GND	NP	NP	VDDIO_FLASH1	GPIO4_B[7]/ FLASH_DATA[15]	GPIO4_B[5]/ FLASH_DATA[13]	FLASH_CLE	GPIO4_B[11]/ FLASH_DATA[9]	FLASH_DATA[5]	FLASH_CSN0	M

N	DQ[19]	DQ[18]	DM[2]	DQ[16]	VDDIO_DDR0	BTMODE	VDDCORE	NP	NP	GND	GND	GND
P	DQS[2]	DQS_B[2]	DQ[21]	DQ[20]	VSSIO_DDR1	VREF0	EWAKEUP_STOP	NP	NP	GND	GND	GND
R	DQ[23]	DQ[22]	BA[0]	ZQ_PIN	VDDIO_DDR1	LCDC_BYP	VDDCORE	NP	NP	GND	GND	GND
T	A[1]	A[0]	BA[1]	BA[2]	VSSIO_DDR2	ANALOG_TEST_PIN	EWAKEUP_POWER	NP	NP	NP	NP	NP
U	A[2]	A[3]	NC0	NC1	VDDIO_DDR2	VREF1	VDDCORE	NP	NP	NP	NP	NP
V	A[6]	CS_B0	A[4]	A[5]	VSSIO_DDR3	RESET	TEST	GPIO6_D[2]	GPIO6_D[0]	VDDCORE	VDDIO_LCD0	VDDCORE
W	CS_B1	ODT0	CKE1	RET_EN	VDDIO_DDR3	VREF2	GPIO6_D[3]	GPIO6_D[1]	NC6	LCDC_DATA[0]/ EBC_SDDO[0]	LCDC_HSYNC/ EBC_SDLE	LCDC_DATA[23]/ EBC_GDRL
Y	CK	CK_B	CKE0	DLL_TEST_PIN[1]	VSSIO_DDR4	VDDIO_DDR4	VSSIO_DDR5	VDDIO_DDR5	VSSIO_DDR6	VDDIO_DDR6	LCDC_DATA[18]/ EBC_GDPWR2	LCDC_DATA[9]/ EBC_SDCE1
AA	WE_B	CAS_B	ODT1	NC3	DLL_TEST_PIN[0]	DQ[12]	DQ[13]	NC4	DQ[28]	DQ[27]	LCDC_DATA[20]/ EBC_SDSHR	LCDC_DCLK/ EBC_SDCLK
AB	A[10]	RAS_B	NC2	A[14]	DQ[9]	DQ[10]	DM[3]	NC5	DQ[26]	DQ[30]	LCDC_DATA[5]/ EBC_SDDO[5]	LCDC_DATA[3]/ EBC_SDDO[3]
AC	A[8]	A[13]	A[7]	DQ[8]	DM[1]	DQS_b[1]	DQ[14]	DQ[24]	DQS_B[3]	DQ[29]	LCDC_DATA[1]/ EBC_SDDO[1]	LCDC_DATA[2]/ EBC_SDDO[2]
AD	A[11]	A[15]	A[9]	A[12]	DQ[11]	DQS[1]	DQ[15]	DQ[25]	DQS[3]	DQ[31]	LCDC_DATA[4]/ EBC_SDDO[4]	LCDC_DATA[6]/ EBC_SDDO[6]
	1	2	3	4	5	6	7	8	9	10	11	12

GND	GND	GND	NP	NP	VDDCORE	FLASH_DATA[1]	FLASH_RDY	FLASH_RDN	GPIO4_B[4]/ FLASH_DATA[12]	FLASH_DATA[0]	FLASH_DATA[4]	N
GND	GND	GND	NP	NP	VDDIO_FLASH0	FLASH_ALE	VDDCORE_EFUSE	VDDIO_RTC	RTCINT_OUT	XOUT32K	XIN32K	P
GND	GND	GND	NP	NP	VDDCORE	GPIO3_D[6]/ SMC_ADDR[8]/ HOST_DATA[8]	EFUSE_VQPS	VSSIO_UHOST	VDDIO_UHOST	USBHOST_DN	USBHOST_DP	R
NP	NP	NP	NP	NP	VDDIO1	VDDIO_EFUSE	OTG1_ID	OTG1_VSSA	OTG1_VDD25	OTG1_DM	OTG1_DP	T
NP	NP	NP	NP	NP	VDDCORE_RTC	OTG1_DVDD	OTG1_VSSAC	OTG1_DVSS	OTG1_VBUS	OTG1_VDD33	OTG1_RKELVIN	U
VDDIO_LCD1	VDDCORE	VDDIO_VIP	VDDCORE	VDDIO_SMC0	VDDIO_SMC1	OTG0_DVDD	OTG0_ID	OTG0_VSSA	OTG0_VDD25	OTG0_DM	OTG0_DP	V
LCDC_DATA[22]/ EBC_GDSP	LCDC_DATA[21]/ EBC_GDOE	VIP_DATAIN[4]	GPIO1_B[4]/ VIP_CLKOUT	GPIO1_A[1]/ SMC_CSN0	GPIO5_C[4]/ EBC_SDDO[4]/ SMC_DATA[4]	GPIO5_D[1]/ EBC_SDCLK/ SMC_ADDR[6]/ HOST_DATA[6]	OTG0_VSSAC	OTG0_DVSS	OTG0_VBUS	OTG0_VDD33	OTG0_RKELVIN	W
LCDC_DATA[19]/ EBC_VCOM	LCDC_DEN/ EBC_GDCLK	VIP_DATAIN[11]	VIP_DATAIN[7]	GPIO0_B[5]/ EBC_VCOM/ SMC_BLSN0	GPIO5_C[0]/ EBC_SDDO[0]/ SMC_DATA[0]	GPIO5_D[0]/ EBC_SDLE/ SMC_ADDR[5]/ HOST_DATA[5]	GPIO0_C[4]/ EBC_GDPWR2/ SMC_DATA[12]	GPIO1_A[2]/ SMC_CSN1	GPIO3_D[5]/ SMC_ADDR[7]/ HOST_DATA[7]	SARADC_AIN[1]	SARADC_AIN[2]	Y
LCDC_DATA[10]/ EBC_SDCE2	LCDC_DATA[14]/ EBC_BORDER0	VIP_DATAIN[10]	GPIO1_B[0]/ VIP_DATAIN[0]	GPIO1_B[1]/ VIP_DATAIN[1]	GPIO5_C[1]/ EBC_SDDO[1]/ SMC_DATA[1]	GPIO0_B[6]/ EBC_SDSHR/ SMC_BLSN1/ HOST_INT	GPIO5_C[5]/ EBC_SDDO[5]/ SMC_DATA[5]	GPIO0_B[1]/ EBC_SDCE1/ SMC_ADDR[1]/ HOST_DATA[1]	GPIO0_C[5]/ EBC_SDCE3/ SMC_DATA[13]	SARADC_AIN[0]	SARADC_AIN[3]	AA
LCDC_VSYNC/ EBC_SDOE	LCDC_DATA[11]/ EBC_SDCE3	LCDC_DATA[15]/ EBC_BORDER1	VIP_DATAIN[5]	VIP_DATAIN[8]	VIP_VSYNC	GPIO0_C[2]/ EBC_GDPWR0/ SMC_DATA[10]	GPIO5_C[6]/EBC _SDDO[6]/SMC_ DATA[6]	GPIO0_D[0]/ EBC_SDOE/ SMC_ADVN	GPIO0_B[7]/ EBC_GDOE/ SMC_OEN	GPIO0_C[3]/ EBC_GDPWR1/ SMC_DATA[11]	VDDA_SARADC	AB
LCDC_DATA[7]/ EBC_SDDO[7]	LCDC_DATA[12]/ EBC_SDCE4	LCDC_DATA[16]/ EBC_GDPWR0	VIP_DATAIN[6]	VIP_HREF	GPIO1_B[3]/ VIP_DATAIN[3]	GPIO5_C[2]/ EBC_SDDO[2]/ SMC_DATA[2]	GPIO5_C[7]/ EBC_SDDO[7]/ SMC_DATA[7]	GPIO0_D[1]/ EBC_GDCLK/ SMC_ADDR[4]/ HOST_DATA[4]	GPIO0_B[3]/ EBC_BORDER0/ SMC_ADDR[3]/ HOST_DATA[3]	GPIO0_C[0]/ EBC_GDSP/ SMC_DATA[8]	GPIO0_C[6]/ EBC_SDCE4/ SMC_DATA[14]	AC
LCDC_DATA[8]/ EBC_SDCE0	LCDC_DATA[13]/ EBC_SDCE5	LCDC_DATA[17]/ EBC_GDPWR1	VIP_DATAIN[9]	VIP_CLKIN	GPIO1_B[2]/ VIP_DATAIN[2]	GPIO5_C[3]/ EBC_SDDO[3]/ SMC_DATA[3]	GPIO0_B[0]/EBC _SDCE0/SMC_A DDR[0]/HOST_D ATA[0]	GPIO0_B[2]/ EBC_SDCE2/ SMC_ADDR[2]/ HOST_DATA[2]	GPIO0_B[4]/ EBC_BORDER1/ SMC_WEN	GPIO0_C[1]/ EBC_GDRL/ SMC_DATA[9]	GPIO0_C[7]/ EBC_SDCE5/ SMC_DATA[15]	AD
13	14	15	16	17	18	19	20	21	22	23	24	

Fig. 2-1 RK2908 Ball Mapping Diagram

2.2 Pin Number Order

Table 2-1 RK2908 Pin Number Order Information

Ball #	Pin Name	Ball #	Pin Name
A1	GPIO6_A[0]	B1	GPIO6_B[6]
A2	GPIO6_B[7]	B2	GPIO6_B[5]
A3	GPIO1_C[0]/UART0_CTS_N/SDIO_DETECT_N	B3	GPIO6_A[1]
A4	GPIO3_A[5]/I2S1_LRCK_TX	B4	GPIO2_A[7]/UART2_RTS_N
A5	GPIO3_A[4]/I2S1_SDO	B5	GPIO3_A[3]/I2S1_SDI
A6	GPIO5_D[6]/SDIO_PWR_EN	B6	GPIO3_A[1]/I2S1_SCLK
A7	GPIO5_D[5]/SDMMC_PWR_EN	B7	GPIO5_D[2]/PWM1/UART1_SIR_IN
A8	GPIO2_B[2]/UART3_SIN	B8	GPIO5_D[3]/I2C2_SDA
A9	GPIO1_A[5]/EMMC_PWR_EN/PWM3	B9	GPIO2_A[3]/SDMMC_WRITE_PRT/PWM2/UART1_SIR_OUT
A10	GPIO1_A[4]/EMMC_WRITE_PRT/SPI0_CSN1	B10	GPIO2_A[2]/SDMMC_DETECT_N
A11	GPIO6_C[2]	B11	GPIO4_A[6]/OTG1_DRV_VBUS
A12	GPIO1_A[6]/I2C1_SDA	B12	GPIO1_A[7]/I2C1_SCL
A13	GPIO2_C[5]/SPI1_CSN0	B13	GPIO3_A[7]/SMC_ADDR[15]/HOST_DATA[15]
A14	GPIO3_C[2]/SMC_ADDR[13]/HOST_DATA[13]	B14	GPIO3_C[6]/SMC_ADDR[16]/HOST_DATA[16]
A15	GPIO3_D[1]/SMC_ADDR[19]/HOST_ADDR1	B15	GPIO3_C[5]/SMC_ADDR[12]/HOST_DATA[12]
A16	GPIO3_C[4]/SMC_ADDR[11]/HOST_DATA[11]	B16	GPIO2_C[6]/SPI1_TXD
A17	GPIO5_B[3]/HSADC_DATA6	B17	GPIO5_B[2]/HSADC_DATA5
A18	GPIO4_C[5]/RMII_CRS_DVALID/MII_RXD_VALID	B18	GPIO5_A[3]/MII_TX_CLKIN
A19	GPIO5_A[7]/HSADC_DATA2	B19	GPIO5_B[5]/HSADC_DATA8/TS_VALID
A20	GPIO2_D[2]/I2S0_LRCK_RX/MII_TX_ERR	B20	GPIO5_A[5]/HSADC_DATA0
A21	GPIO2_D[5]/I2S0_SDO1/MII_RXD3	B21	GPIO4_D[7]/I2S0_LRCK_TX1
A22	GPIO2_D[6]/I2S0_SDO2/MII_TXD2	B22	GPIO2_D[3]/I2S0_SDI/MII_COL
A23	GPIO4_C[0]/RMII_CLKOUT/RMII_CLKIN	B23	GPIO4_C[6]/RMII_RXD1/MII_RXD1
A24	GPIO4_C[1]/RMII_TX_EN/MII_TX_EN	B24	GPIO1_D[4]/SDMMC_DATA2
C1	GPIO6_A[5]	D1	GPIO6_A[6]
C2	GPIO6_B[4]	D2	GPIO6_A[7]
C3	GPIO6_A[2]	D3	GPIO6_B[3]
C4	GPIO1_C[1]/UART0_RTS_N/SDIO_WRITE_PRT	D4	GPIO6_A[3]
C5	GPIO2_A[6]/UART2_CTS_N	D5	GPIO1_B[7]/UART0_SOUT
C6	GPIO3_A[2]/I2S1_LRCK_RX	D6	GPIO2_B[4]/UART3_CTS_N/I2C3_SDA
C7	GPIO2_A[4]/UART1_SIN	D7	GPIO3_A[0]/I2S1_CLK
C8	GPIO1_B[5]/PWM0	D8	GPIO1_B[6]/UART0_SIN
C9	GPIO2_B[6]/I2C0_SDA	D9	GPIO5_D[4]/I2C2_SCL
C10	GPIO4_D[4]	D10	GPIO2_B[7]/I2C0_SCL
C11	GPIO6_C[6]	D11	GPIO0_A[7]/MII_MDCLK
C12	GPIO6_C[0]	D12	GPIO4_D[0]
C13	GPIO5_B[6]/HSADC_DATA9/TS_FAIL	D13	GPIO6_C[3]
C14	GPIO2_C[7]/SPI1_RXD	D14	GPIO2_C[0]/SPI0_CLK
C15	GPIO4_A[7]/SPDIF_TX	D15	GPIO2_C[3]/SPI0_RXD
C16	GPIO5_A[4]/TS_SYNC	D16	GPIO3_C[7]/SMC_ADDR[17]/HOST_DATA[17]
C17	GPIO5_B[4]/HSADC_DATA7	D17	GPIO3_D[2]/HOST_CSN
C18	GPIO4_C[4]/RMII_RX_ERR/MII_RX_ERR	D18	GPIO0_A[6]/MII_MD

C19	GPIO4_C[2]/RMII_TXD1/MII_TXD1	D19	GPIO3_D[4]/HOST_WRN
C20	GPIO5_B[1]/HSADC_DATA4	D20	GPIO1_D[2]/SDMMC_DATA0
C21	GPIO2_D[4]/I2S0_SDO0/MII_RXD2	D21	GPIO4_C[3]/RMII_TXD0/MII_TXD0
C22	GPIO2_A[0]/SDMMC_DATA6	D22	GPIO1_D[0]/SDMMC_CLKOUT
C23	GPIO1_D[6]/SDMMC_DATA4	D23	GPIO3_B[7]/EMMC_DATA5
C24	GPIO2_D[7]/I2S0_SDO3/MII_TXD3	D24	GPIO1_C[2]/SDIO_CMD
E1	GPIO6_B[0]	F1	GPIO6_B[1]
E2	GPIO5_A[0]	F2	GPIO0_A[1]
E3	GPIO6_B[2]	F3	GPIO5_A[1]
E4	GPIO5_A[2]	F4	GPIO0_A[0]
E5	GPIO6_A[4]	F5	AVDD_DPLL
E6	GPIO2_B[0]/UART2_SIN	F6	AHVDD_APLL
E7	GPIO2_B[5]/UART3_RTS_N/I2C3_SCL	F7	AHVSS_APLL
E8	GPIO2_B[1]/UART2_SOUT	F8	GPIO2_B[3]/UART3_SOUT
E9	GPIO2_A[5]/UART1_SOUT	F9	GPIO4_D[3]
E10	GPIO6_C[5]	F10	GPIO4_D[2]
E11	GPIO4_D[1]	F11	GPIO4_D[5]
E12	GPIO6_C[1]	F12	GPIO5_D[7]
E13	GPIO6_C[7]	F13	GPIO6_C[4]
E14	GPIO2_C[1]/SPI0_CSN0	F14	GPIO3_D[0]/SMC_ADDR[18]/HOST_ADDR0
E15	GPIO2_C[2]/SPI0_TXD	F15	GPIO1_A[3]/EMMC_DETECT_N/SPI1_CSN1
E16	GPIO3_C[3]/SMC_ADDR[10]/HOST_DATA[10]	F16	GPIO2_C[4]/SPI1_CLK
E17	GPIO3_D[7]/SMC_ADDR[9]/HOST_DATA[9]	F17	GPIO3_A[6]/SMC_ADDR[14]/HOST_DATA[14]
E18	GPIO3_D[3]/HOST_RDN	F18	GPIO5_A[6]/HSADC_DATA1
E19	GPIO4_C[7]/RMII_RXD0/MII_RXD0	F19	GPIO5_B[7]/HSADC_CLKOUT/GPS_CLK
E20	GPIO1_D[7]/SDMMC_DATA5	F20	GPIO4_D[6]/I2S0_LRCK_TX0
E21	GPIO5_B[0]/HSADC_DATA3	F21	GPIO3_C[0]/EMMC_DATA6
E22	GPIO3_B[0]/EMMC_CLKOUT	F22	GPIO3_B[2]/EMMC_DATA0
E23	GPIO2_A[1]/SDMMC_DATA7	F23	GPIO3_B[4]/EMMC_DATA2
E24	GPIO2_D[0]/I2S0_CLK/MII_RX_CLKIN	F24	GPIO3_B[5]/EMMC_DATA3
G1	XOUT24M	H1	XOUT27M
G2	XIN24M	H2	XIN27M
G3	GPIO0_A[2]	H3	GPIO0_A[3]
G4	GPIO0_A[4]	H4	GPIO4_A[3]
G5	DVDD_APLL	H5	DVDD_DPLL
G6	AVSS_DPLL	H6	DVSS_DPLL
G7	DVSS_APLL	H7	DVSS_CGPLL
G8	VDDIO_AP1	H18	GPIO1_C[5]/SDIO_DATA2
G9	VDDIO_AP0	H19	GPIO1_C[6]/SDIO_DATA3
G10	VDDCORE	H20	GPIO2_D[1]/I2S0_SCLK/MII_CRS
G11	VDDIO6	H21	GPIO3_B[1]/EMMC_CMD
G12	VDDCORE	H22	GPIO1_C[3]/SDIO_DATA0
G13	VDDIO5	H23	GPIO1_C[4]/SDIO_DATA1
G14	VDDCORE	H24	GPIO3_B[3]/EMMC_DATA1
G15	VDDIO4	K1	DQ[3]
G16	VDDCORE	K2	DQ[2]

G17	GPIO4_A[5]/OTG0_DRV_VBUS	K3	DQ[1]
G18	VDDIO3	K4	DQ[0]
G19	GPIO1_D[5]/SDMMC_DATA3	K5	TRST_N
G20	GPIO1_D[1]/SDMMC_CMD	K6	NPOR
G21	GPIO3_C[1]/EMMC_DATA7	K7	VDDIO0
G22	GPIO1_D[3]/SDMMC_DATA1	K10	GND
G23	GPIO3_B[6]/EMMC_DATA4	K11	GND
G24	GPIO1_C[7]/SDIO_CLKOUT	K12	GND
J1	GPIO4_A[0]	K13	GND
J2	GPIO4_A[1]	K14	GND
J3	GPIO4_A[2]	K15	GND
J4	GPIO4_A[4]	K18	VDDIO2
J5	AVDD_CGPLL	K19	FLASH_WP
J6	DVDD_CGPLL	K20	FLASH_WRN
J7	AVSS_CGPLL	K21	GPIO4_B[6]/FLASH_DATA[14]
J18	VDDCORE	K22	GPIO0_D[3]/FLASH_CSN2
J19	GPIO0_D[6]/FLASH_CSN5	K23	GPIO0_D[4]/FLASH_CSN3
J20	GPIO1_A[0]/FLASH_CSN7/MDDR_TQ	K24	GPIO0_D[2]/FLASH_CSN1
J21	GPIO0_A[5]/FLASH_DQS	M1	DQ[7]
J22	GPIO0_D[5]/FLASH_CSN4	M2	DQ[6]
J23	GPIO4_B[2]/FLASH_DATA[10]	M3	DQ[17]
J24	GPIO4_B[3]/FLASH_DATA[11]	M4	DM[0]
L1	DQS[0]	M5	VSSIO_DDR0
L2	DQS_B[0]	M6	TMS
L3	DQ[5]	M7	TDO
L4	DQ[4]	M10	GND
L5	TCK	M11	GND
L6	TDI	M12	GND
L7	VDDCORE	M13	GND
L10	GND	M14	GND
L11	GND	M15	GND
L12	GND	M18	VDDIO_FLASH1
L13	GND	M19	GPIO4_B[7]/FLASH_DATA[15]
L14	GND	M20	GPIO4_B[5]/FLASH_DATA[13]
L15	GND	M21	FLASH_CLE
L18	VDDCORE	M22	GPIO4_B[1]/FLASH_DATA[9]
L19	FLASH_DATA[6]	M23	FLASH_DATA[5]
L20	GPIO4_B[0]/FLASH_DATA[8]	M24	FLASH_CSN0
L21	FLASH_DATA[7]	P1	DQS[2]
L22	FLASH_DATA[2]	P2	DQS_B[2]
L23	FLASH_DATA[3]	P3	DQ[21]
L24	GPIO0_D[7]/FLASH_CSN6	P4	DQ[20]
N1	DQ[19]	P5	VSSIO_DDR1
N2	DQ[18]	P6	VREF0
N3	DM[2]	P7	EWAKEUP_STOP
N4	DQ[16]	P10	GND

N5	VDDIO_DDR0	P11	GND
N6	BTMODE	P12	GND
N7	VDDCORE	P13	GND
N10	GND	P14	GND
N11	GND	P15	GND
N12	GND	P18	VDDIO_FLASH0
N13	GND	P19	FLASH_ALE
N14	GND	P20	VDDCORE_EFUSE
N15	GND	P21	VDDIO_RTC
N18	VDDCORE	P22	RTCINT_OUT
N19	FLASH_DATA[1]	P23	XOUT32K
N20	FLASH_RDY	P24	XIN32K
N21	FLASH_RDN	T1	A[1]
N22	GPIO4_B[4]/FLASH_DATA[12]	T2	A[0]
N23	FLASH_DATA[0]	T3	BA[1]
N24	FLASH_DATA[4]	T4	BA[2]
R1	DQ[23]	T5	VSSIO_DDR2
R2	DQ[22]	T6	ANALOG_TEST_PIN
R3	BA[0]	T7	EWAKEUP_POWER
R4	ZQ_PIN	T18	VDDIO1
R5	VDDIO_DDR1	T19	VDDIO_EFUSE
R6	LCDC_BYP	T20	OTG1_ID
R7	VDDCORE	T21	OTG1_VSSA
R10	GND	T22	OTG1_VDD25
R11	GND	T23	OTG1_DM
R12	GND	T24	OTG1_DP
R13	GND	V1	A[6]
R14	GND	V2	CS_B0
R15	GND	V3	A[4]
R18	VDDCORE	V4	A[5]
R19	GPIO3_D[6]/SMC_ADDR[8]/HOST_DATA[8]	V5	VSSIO_DDR3
R20	EFUSE_VQPS	V6	RESET
R21	VSSIO_UHOST	V7	TEST
R22	VDDIO_UHOST	V8	GPIO6_D[2]
R23	USBHOST_DN	V9	GPIO6_D[0]
R24	USBHOST_DP	V10	VDDCORE
U1	A[2]	V11	VDDIO_LCD0
U2	A[3]	V12	VDDCORE
U3	NC0	V13	VDDIO_LCD1
U4	NC1	V14	VDDCORE
U5	VDDIO_DDR2	V15	VDDIO_VIP
U6	VREF1	V16	VDDCORE
U7	VDDCORE	V17	VDDIO_SMC0
U18	VDDCORE_RTC	V18	VDDIO_SMC1
U19	OTG1_DVDD	V19	OTG0_DVDD
U20	OTG1_VSSAC	V20	OTG0_ID

U21	OTG1_DVSS	V21	OTG0_VSSA
U22	OTG1_VBUS	V22	OTG0_VDD25
U23	OTG1_VDD33	V23	OTG0_DM
U24	OTG1_RKELVIN	V24	OTG0_DP
W1	CS_B1	Y1	CK
W2	ODT0	Y2	CK_B
W3	CKE1	Y3	CKE0
W4	RET_EN	Y4	DLL_TEST_PIN[1]
W5	VDDIO_DDR3	Y5	VSSIO_DDR4
W6	VREF2	Y6	VDDIO_DDR4
W7	GPIO6_D[3]	Y7	VSSIO_DDR5
W8	GPIO6_D[1]	Y8	VDDIO_DDR5
W9	NC6	Y9	VSSIO_DDR6
W10	LCDC_DATA[0]/EBC_SDDO[0]	Y10	VDDIO_DDR6
W11	LCDC_HSYNC/EBC_SDLE	Y11	LCDC_DATA[18]/EBC_GDPWR2
W12	LCDC_DATA[23]/EBC_GDRL	Y12	LCDC_DATA[9]/EBC_SDCE1
W13	LCDC_DATA[22]/EBC_GDSP	Y13	LCDC_DATA[19]/EBC_VCOM
W14	LCDC_DATA[21]/EBC_GDOE	Y14	LCDC_DEN/EBC_GDCLK
W15	VIP_DATAIN[4]	Y15	VIP_DATAIN[11]
W16	GPIO1_B[4]/VIP_CLKOUT	Y16	VIP_DATAIN[7]
W17	GPIO1_A[1]/SMC_CSN0	Y17	GPIO0_B[5]/EBC_VCOM/SMC_BLSN0
W18	GPIO5_C[4]/EBC_SDDO[4]/SMC_DATA[4]	Y18	GPIO5_C[0]/EBC_SDDO[0]/SMC_DATA[0]
W19	GPIO5_D[1]/EBC_SDCLK/SMC_ADDR[6]/HOST_DATA[6]	Y19	GPIO5_D[0]/EBC_SDLE/SMC_ADDR[5]/HOST_DATA[5]
W20	OTG0_VSSAC	Y20	GPIO0_C[4]/EBC_GDPWR2/SMC_DATA[12]
W21	OTG0_DVSS	Y21	GPIO1_A[2]/SMC_CSN1
W22	OTG0_VBUS	Y22	GPIO3_D[5]/SMC_ADDR[7]/HOST_DATA[7]
W23	OTG0_VDD33	Y23	SARADC_AIN[1]
W24	OTG0_RKELVIN	Y24	SARADC_AIN[2]
AA1	WE_B	AB1	A[10]
AA2	CAS_B	AB2	RAS_B
AA3	ODT1	AB3	NC2
AA4	NC3	AB4	A[14]
AA5	DLL_TEST_PIN[0]	AB5	DQ[9]
AA6	DQ[12]	AB6	DQ[10]
AA7	DQ[13]	AB7	DM[3]
AA8	NC4	AB8	NC5
AA9	DQ[28]	AB9	DQ[26]
AA10	DQ[27]	AB10	DQ[30]
AA11	LCDC_DATA[20]/EBC_SDSHR	AB11	LCDC_DATA[5]/EBC_SDDO[5]
AA12	LCDC_DCLK/EBC_SDCLK	AB12	LCDC_DATA[3]/EBC_SDDO[3]
AA13	LCDC_DATA[10]/EBC_SDCE2	AB13	LCDC_VSYNC/EBC_SDOE
AA14	LCDC_DATA[14]/EBC_BORDER0	AB14	LCDC_DATA[11]/EBC_SDCE3
AA15	VIP_DATAIN[10]	AB15	LCDC_DATA[15]/EBC_BORDER1
AA16	GPIO1_B[0]/VIP_DATAIN[0]	AB16	VIP_DATAIN[5]
AA17	GPIO1_B[1]/VIP_DATAIN[1]	AB17	VIP_DATAIN[8]
AA18	GPIO5_C[1]/EBC_SDDO[1]/SMC_DATA[1]	AB18	VIP_VSYNC

AA19	GPIO0_B[6]/EBC_SDSHR/SMC_BLSN1/HOST_INT	AB19	GPIO0_C[2]/EBC_GDPWR0/SMC_DATA[10]
AA20	GPIO5_C[5]/EBC_SDDO[5]/SMC_DATA[5]	AB20	GPIO5_C[6]/EBC_SDDO[6]/SMC_DATA[6]
AA21	GPIO0_B[1]/EBC_SDCE1/SMC_ADDR[1]/HOST_DATA[1]	AB21	GPIO0_D[0]/EBC_SDOE/SMC_ADVN
AA22	GPIO0_C[5]/EBC_SDCE3/SMC_DATA[13]	AB22	GPIO0_B[7]/EBC_GDOE/SMC_OEN
AA23	SARADC_AIN[0]	AB23	GPIO0_C[3]/EBC_GDPWR1/SMC_DATA[11]
AA24	SARADC_AIN[3]	AB24	VDDA_SARADC
AC1	A[8]	AD1	A[11]
AC2	A[13]	AD2	A[15]
AC3	A[7]	AD3	A[9]
AC4	DQ[8]	AD4	A[12]
AC5	DM[1]	AD5	DQ[11]
AC6	DQS_B[1]	AD6	DQS[1]
AC7	DQ[14]	AD7	DQ[15]
AC8	DQ[24]	AD8	DQ[25]
AC9	DQS_B[3]	AD9	DQS[3]
AC10	DQ[29]	AD10	DQ[31]
AC11	LCDC_DATA[1]/EBC_SDDO[1]	AD11	LCDC_DATA[4]/EBC_SDDO[4]
AC12	LCDC_DATA[2]/EBC_SDDO[2]	AD12	LCDC_DATA[6]/EBC_SDDO[6]
AC13	LCDC_DATA[7]/EBC_SDDO[7]	AD13	LCDC_DATA[8]/EBC_SDCE0
AC14	LCDC_DATA[12]/EBC_SDCE4	AD14	LCDC_DATA[13]/EBC_SDCE5
AC15	LCDC_DATA[16]/EBC_GDPWR0	AD15	LCDC_DATA[17]/EBC_GDPWR1
AC16	VIP_DATAIN[6]	AD16	VIP_DATAIN[9]
AC17	VIP_HREF	AD17	VIP_CLKIN
AC18	GPIO1_B[3]/VIP_DATAIN[3]	AD18	GPIO1_B[2]/VIP_DATAIN[2]
AC19	GPIO5_C[2]/EBC_SDDO[2]/SMC_DATA[2]	AD19	GPIO5_C[3]/EBC_SDDO[3]/SMC_DATA[3]
AC20	GPIO5_C[7]/EBC_SDDO[7]/SMC_DATA[7]	AD20	GPIO0_B[0]/EBC_SDCE0/SMC_ADDR[0]/HOST_DATA[0]
AC21	GPIO0_D[1]/EBC_GDCLK/SMC_ADDR[4]/HOST_DATA[4]	AD21	GPIO0_B[2]/EBC_SDCE2/SMC_ADDR[2]/HOST_DATA[2]
AC22	GPIO0_B[3]/EBC_BORDER0/SMC_ADDR[3]/HOST_DATA[3]	AD22	GPIO0_B[4]/EBC_BORDER1/SMC_WEN
AC23	GPIO0_C[0]/EBC_GDSP/SMC_DATA[8]	AD23	GPIO0_C[1]/EBC_GDRL/SMC_DATA[9]
AC24	GPIO0_C[6]/EBC_SDCE4/SMC_DATA[14]	AD24	GPIO0_C[7]/EBC_SDCE5/SMC_DATA[15]

2.3 RK2918 power/ground IO descriptions

Table 2-2 RK2918 Power/Ground IO informations

Group	Ball #	Min(V)	Typ(V)	Max(V)	Descriptions
GND	K10,K11,K12,K13,K14,K15, L10,L11,L12,L13,L14,L15, M10,M11,M12,M13,M14,M15, N10,N11,N12,N13,N14,N15, P10,P11,P12,P13,P14,P15, R10,R11,R12,R13,R14,R15		0		Internal Core Ground and digital IO Ground
VDDCORE	G10,G12,G14,G16, L7,J18,N7,L18, R7,N18,U7,R18, V10,V12,V14,V16	1.08	1.2	1.32	Internal Core Power (@ CPU frequency <= 1GHz)

VDDIO0	K7	3	3.3	3.6	Digital GPIO Power
VDDIO1	T18	3	3.3	3.6	Digital GPIO Power
VDDIO2	K18	3	3.3	3.6	
VDDIO3	G18	3	3.3	3.6	
VDDIO4	G15	3	3.3	3.6	
VDDIO5	G13	3	3.3	3.6	
VDDIO6	G11	3	3.3	3.6	
VDDIO_LCD0	V11	3 1.62	3.3 1.8	3.6 1.98	LCD/EC Digital IO Power
VDDIO_LCD1	V13	3 1.62	3.3 1.8	3.6 1.98	
VDDIO_VIP	V15	3 1.62	3.3 1.8	3.6 1.98	Camera Digital IO Power
VDDIO_SMC0	V17	3	3.3	3.6	SMC/EC Digital IO Power
VDDIO_SMC1	V18	3	3.3	3.6	
VDDIO_FLASH0	P18	3 1.62	3.3 1.8	3.6 1.98	Nand Flash Digital IO Power
VDDIO_FLASH1	M18	3 1.62	3.3 1.8	3.6 1.98	
VDDIO_AP0	G9	3 1.62	3.3 1.8	3.6 1.98	I2S/UART/I2C for Mobile phone Digital IO Power
VDDIO_AP1	G8	3 1.62	3.3 1.8	3.6 1.98	
VDDIO_DDR0	N5	1.7 1.65	1.8 1.8	1.9 1.95	DDRII (data lane0/2/cmd lane) LPDDR (data lane0/2 cmd lane) Digital IO Power
VDDIO_DDR1	R5	1.7 1.65	1.8 1.8	1.9 1.95	
VDDIO_DDR2	U5	1.7 1.65	1.8 1.8	1.9 1.95	
VSSIO_DDR0	M5		0		DDRII/LPDDR(data lane0/2/cmd lane) Digital IO Ground
VSSIO_DDR1	P5		0		
VSSIO_DDR2	T5		0		
VDDIO_DDR3	W5	1.7 1.65	1.8 1.8	1.9 1.95	DDRII (cke/cs/ret) LPDDR(cke/cs/ret) Digital IO Power
VSSIO_DDR3	V5		0		DDRII/LPDDR(cke/cs/ret) Digital IO Ground

VDDIO_DDR4	Y6	1.7 1.65	1.8 1.8	1.9 1.95	DDRII (data lane1/3/cmd lane) LPDDR (data lane1/3 cmd lane) Digital IO Power
VDDIO_DDR5	Y8	1.7 1.65	1.8 1.8	1.9 1.95	
VDDIO_DDR6	Y10	1.7 1.65	1.8 1.8	1.9 1.95	
VSSIO_DDR4	Y5		0		DDRII/LPDDR(data lane1/3/cmd lane) Digital IO Ground
VSSIO_DDR5	Y7		0		
VSSIO_DDR6	Y9		0		
AHVSS_APLL	F7		0		ARM PLL(1.6GHz) Analog Ground
AHVDD_APLL	F6	2.25	2.5	2.75	ARM PLL(1.6GHz) Analog Power
DVDD_APLL	G5	1.08	1.2	1.32	ARM PLL(1.6GHz) Digital Power
DVSS_APLL	G7		0		ARM PLL(1.6GHz) Digital Ground
AVSS_DPLL	G6		0		DDR PLL(1.0GHz) Analog Ground
AVDD_DPLL	F5	1.08	1.2	1.32	DDR PLL(1.0GHz) Analog Power
DVDD_DPLL	H5	1.08	1.2	1.32	DDR PLL(1.0GHz) Digital Power
DVSS_DPLL	H6		0		DDR PLL(1.0GHz) Digital Ground
AVSS_CGPLL	J7		0		CODEC/GENERAL PLL(1.0GHz) Analog Ground
AVDD_CGPLL	J5	1.08	1.2	1.32	CODEC/GENERAL PLL(1.0GHz) Analog Power
DVDD_CGPLL	J6	1.08	1.2	1.32	CODEC/GENERAL PLL(1.0GHz) Digital Power
DVSS_CGPLL	H7	N/A	N/A	N/A	CODEC/GENERAL PLL(1.0GHz) Digital Ground
VDDA_SARADC	AB24	2.25	2.5	2.75	SAR-ADC Analog Power
OTG0_VSSAC	W20		0		USB OTG Analog Ground
OTG0_DVSS	W21		0		USB OTG Digital Ground
OTG0_DVDD	V19	1.116	1.2	1.32	USB OTG Digital Power
OTG0_VDD25	V22	2.325	2.5	2.75	USB OTG Analog Power
OTG0_VSSA	V21		0		USB OTG Analog Ground
OTG0_VDD33	W23	3.069	3.3	3.63	USB OTG Analog Power
OTG1_VDD33	U23	3.069	3.3	3.63	USB Host2.0 Analog Power
OTG1_VSSA	T21		0		USB Host2.0 Analog Ground
OTG1_VDD25	T22	2.325	2.5	2.75	USB Host2.0 Analog Power
OTG1_DVDD	U19	1.116	1.2	1.32	USB Host2.0 Digital Power
OTG1_DVSS	U21		0		USB Host2.0 Digital Ground
OTG1_VSSAC	U20		0		USB Host2.0 Analog Ground

VDDIO_UHOST	R22	3	3.3	3.6	USB Host1.0 Digital Power
VSSIO_UHOST	R21		0		USB Host1.0 Digital Ground
VDDCORE_RTC	U18	1.08	1.2	1.32	RTC logic Digital Power
VDDIO_RTC	P21	3	3.3	3.6	RTC IO Digital Power
		1.62	1.8	1.98	
VDDIO_EFUSE	T19	3	3.3	3.6	eFuse IO Digital Power
VDDCORE_EFUSE	P20	1.08	1.2	1.32	eFuse logic Digital Power

Rockchip Confidential

2.3.1 RK2918 function IO descriptions

Table 2-3 RK2908 IO descriptions

Pin Name	Ball #	func0	func1	func2	func3	Pad types ^①	Drive ^②	pull up/down	Reset state ^③	Power supply ^④
Left Side ^④										
AHVSS_APLL	F7	Analog Ground				AG	N/A	N/A	N/A	PLL Domain
AHVDD_APLL	F6	2.5V				AP	N/A	N/A	N/A	
DVDD_APLL	G5	1.2V				DP	N/A	N/A	N/A	
DVSS_APLL	G7	Digital Ground				DG	N/A	N/A	N/A	
AVSS_DPLL	G6	Analog Ground				AG	N/A	N/A	N/A	
AVDD_DPLL	F5	1.2V				AP	N/A	N/A	N/A	
DVDD_DPLL	H5	1.2V				DP	N/A	N/A	N/A	
DVSS_DPLL	H6	Digital Ground				DG	N/A	N/A	N/A	
AVSS_CGPLL	J7	Analog Ground				AG	N/A	N/A	N/A	
AVDD_CGPLL	J5	1.2V				AP	N/A	N/A	N/A	
DVDD_CGPLL	J6	1.2V				DP	N/A	N/A	N/A	
DVSS_CGPLL	H7	Digital Ground				DG	N/A	N/A	N/A	
XIN24M	G2	XIN24M				I	N/A	N/A	I	VDDIO0
XOUT24M	G1	XOUT24M				O	N/A	N/A	O	
XIN27M	H2	XIN27M				I	N/A	N/A	I	
XOUT27M	H1	XOUT27M				O	N/A	N/A	O	
TRST_N	K5	TRST_N				I	8	Down	I Down	
TDI	L6	TDI				I	8	Up	I Up	
TCK	L5	TCK				I	8	Up	I Up	
TMS	M6	TMS				I/O	8	Up	I Up	
TDO	M7	TDO				O	8	Down	O Down	
BTMODE	N6	BTMODE				I	8	Down	I Down	
EWAKEUP_STOP	P7	EWAKEUP_STOP				I	8	Down	I Down	
EWAKEUP_POWER	T7	EWAKEUP_POWER				I	8	Down	I Down	
LCDC_BYP	R6	LCDC_BYP				I	8	Down	I Down	
NPOR	K6	NPOR				I	8	Down	I Down	

TEST	V7	TEST				I	8	Down	I Down	
DQ[0]	K4	DQ[0]				I/O	N/A	N/A	I	VDDIO_DDR0 VDDIO_DDR1 VDDIO_DDR2
DQ[1]	K3	DQ[1]				I/O	N/A	N/A	I	
DQ[2]	K2	DQ[2]				I/O	N/A	N/A	I	
DQ[3]	K1	DQ[3]				I/O	N/A	N/A	I	
DM[0]	M4	DM[0]				O	N/A	N/A	O	
DQS_B[0]	L2	DQS_b[0]				I/O	N/A	N/A	I	
DQS[0]	L1	DQS[0]				I/O	N/A	N/A	I	
DQ[4]	L4	DQ[4]				I/O	N/A	N/A	I	
DQ[5]	L3	DQ[5]				I/O	N/A	N/A	I	
DQ[6]	M2	DQ[6]				I/O	N/A	N/A	I	
DQ[7]	M1	DQ[7]				I/O	N/A	N/A	I	
VREF0	P6	VREF4				DP	N/A	N/A	N/A	
DQ[16]	N4	DQ[16]				I/O	N/A	N/A	I	
DQ[17]	M3	DQ[17]				I/O	N/A	N/A	I	
DQ[18]	N2	DQ[18]				I/O	N/A	N/A	I	
DQ[19]	N1	DQ[19]				I/O	N/A	N/A	I	
DM[2]	N3	DM[2]				O	N/A	N/A	O	
DQS_B[2]	P2	DQS_B[2]				I/O	N/A	N/A	I	
DQS[2]	P1	DQS[2]				I/O	N/A	N/A	I	
DQ[20]	P4	DQ[20]				I/O	N/A	N/A	I	
DQ[21]	P3	DQ[21]				I/O	N/A	N/A	I	
DQ[22]	R2	DQ[22]				I/O	N/A	N/A	I	
DQ[23]	R1	DQ[23]				I/O	N/A	N/A	I	
ANALOG_TEST_PIN	T6	ANALOG_TEST_PIN				A	N/A	N/A	N/A	
ZQ_PIN	R4	ZQ_PIN				A	N/A	N/A	N/A	
BA[0]	R3	BA[0]				O	N/A	N/A	O	
BA[1]	T3	BA[1]				O	N/A	N/A	O	
BA[2]	T4	BA[2]				O	N/A	N/A	O	
A[0]	T2	A[0]				O	N/A	N/A	O	

A[1]	T1	A[1]				O	N/A	N/A	O	
A[2]	U1	A[2]				O	N/A	N/A	O	
A[3]	U2	A[3]				O	N/A	N/A	O	
A[4]	V3	A[4]				O	N/A	N/A	O	
A[5]	V4	A[5]				O	N/A	N/A	O	
A[6]	V1	A[6]				O	N/A	N/A	O	
RET_EN	W4	RET_EN				I	N/A	N/A	I	
CKE0	Y3	CKE0				O	N/A	N/A	O	VDDIO_DDR3
CKE1	W3	CKE1				O	N/A	N/A	O	
RESET	V6	RESET				O	N/A	N/A	O	
CS_B0	V2	CS_B0				O	N/A	N/A	O	
CS_B1	W1	CS_B1				O	N/A	N/A	O	
VREF1	U6	VREF4				DP	N/A	N/A	N/A	
CK	Y1	CK				O	N/A	N/A	O	VDDIO_DDR4 VDDIO_DDR5 VDDIO_DDR6
CK_B	Y2	CK_B				O	N/A	N/A	O	
ODT0	W2	ODT0				O	N/A	N/A	O	
WE_B	AA1	WE_B				O	N/A	N/A	O	
RAS_B	AB2	RAS_B				O	N/A	N/A	O	
CAS_B	AA2	CAS_B				O	N/A	N/A	O	
ODT1	AA3	ODT1				O	N/A	N/A	O	
A[7]	AC3	A[7]				O	N/A	N/A	O	
A[8]	AC1	A[8]				O	N/A	N/A	O	
A[9]	AD3	A[9]				O	N/A	N/A	O	
A[10]	AB1	A[10]				O	N/A	N/A	O	
A[11]	AD1	A[11]				O	N/A	N/A	O	
A[15]	AD2	A[15]				O	N/A	N/A	O	
A[12]	AD4	A[12]				O	N/A	N/A	O	
A[13]	AC2	A[13]				O	N/A	N/A	O	
A[14]	AB4	A[14]				O	N/A	N/A	O	
DLL_TEST_PIN[1]	Y4	DLL_TEST_PIN[1]				O	N/A	N/A	O	

DLL_TEST_PIN[0]	AA5	DLL_TEST_PIN[0]				O	N/A	N/A	O	
DQ[8]	AC4	DQ[8]				I/O	N/A	N/A	I	
DQ[9]	AB5	DQ[9]				I/O	N/A	N/A	I	
DQ[10]	AB6	DQ[10]				I/O	N/A	N/A	I	
DQ[11]	AD5	DQ[11]				I/O	N/A	N/A	I	
DM[1]	AC5	DM[1]				O	N/A	N/A	O	
DQS_B[1]	AC6	DQS_b[1]				I/O	N/A	N/A	I	
DQS[1]	AD6	DQS[1]				I/O	N/A	N/A	I	
DQ[12]	AA6	DQ[12]				I/O	N/A	N/A	I	
DQ[13]	AA7	DQ[13]				I/O	N/A	N/A	I	
DQ[14]	AC7	DQ[14]				I/O	N/A	N/A	I	
DQ[15]	AD7	DQ[15]				I/O	N/A	N/A	I	VDDIO_DDR4
VREF2	W6	VREF				DP	N/A	N/A	N/A	VDDIO_DDR5
DQ[24]	AC8	DQ[24]				I/O	N/A	N/A	I	VDDIO_DDR6
DQ[25]	AD8	DQ[25]				I/O	N/A	N/A	I	
DQ[26]	AB9	DQ[26]				I/O	N/A	N/A	I	
DQ[27]	AA10	DQ[27]				I/O	N/A	N/A	I	
DM[3]	AB7	DM[3]				O	N/A	N/A	O	
DQS_B[3]	AC9	DQS_B[3]				I/O	N/A	N/A	I	
DQS[3]	AD9	DQS[3]				I/O	N/A	N/A	I	
DQ[28]	AA9	DQ[28]				I/O	N/A	N/A	I	
DQ[29]	AC10	DQ[29]				I/O	N/A	N/A	I	
DQ[30]	AB10	DQ[30]				I/O	N/A	N/A	I	
DQ[31]	AD10	DQ[31]				I/O	N/A	N/A	I	
LCDC_DATA[0]	W10	LCDC_DATA[0]	ebc_sddo0			I/O	12	Down	I Down	VDDIO_LCD0
LCDC_DATA[1]	AC11	LCDC_DATA[1]	ebc_sddo1			I/O	12	Down	I Down	VDDIO_LCD1
LCDC_DATA[2]	AC12	LCDC_DATA[2]	ebc_sddo2			I/O	12	Down	I Down	VDDIO_LCD1
LCDC_DATA[3]	AB12	LCDC_DATA[3]	ebc_sddo3			I/O	12	Down	I Down	VDDIO_LCD1
LCDC_DATA[4]	AD11	LCDC_DATA[4]	ebc_sddo4			I/O	12	Down	I Down	VDDIO_LCD1
LCDC_DATA[5]	AB11	LCDC_DATA[5]	ebc_sddo5			I/O	12	Down	I Down	VDDIO_LCD1

LCDC_DATA[6]	AD12	LCDC_DATA[6]	ebc_sddo6			I/O	12	Down	I Down	
LCDC_DATA[7]	AC13	LCDC_DATA[7]	ebc_sddo7			I/O	12	Down	I Down	
LCDC_HSYNC	W11	LCDC_HSYNC	ebc_sdle			O	12	Down	O Down	
LCDC_DCLK	AA12	LCDC_DCLK	ebc_sdclk			O	12	Down	O Down	
LCDC_VSYNC	AB13	LCDC_VSYNC	ebc_sdoe			I/O	12	Down	I Down	
LCDC_DEN	Y14	LCDC_DEN	ebc_gdclk			I/O	12	Down	I Down	
LCDC_DATA[8]	AD13	LCDC_DATA[8]	ebc_sdce0			I/O	12	Down	I Down	
LCDC_DATA[9]	Y12	LCDC_DATA[9]	ebc_sdce1			I/O	12	Down	I Down	
LCDC_DATA[10]	AA13	LCDC_DATA[10]	ebc_sdce2			I/O	12	Down	I Down	
LCDC_DATA[11]	AB14	LCDC_DATA[11]	ebc_sdce3			I/O	12	Down	I Down	
LCDC_DATA[12]	AC14	LCDC_DATA[12]	ebc_sdce4			I/O	12	Down	I Down	
LCDC_DATA[13]	AD14	LCDC_DATA[13]	ebc_sdce5			I/O	12	Down	I Down	
LCDC_DATA[14]	AA14	LCDC_DATA[14]	ebc_border0			I/O	12	Down	I Down	
LCDC_DATA[15]	AB15	LCDC_DATA[15]	ebc_border1			I/O	12	Down	I Down	
LCDC_DATA[16]	AC15	LCDC_DATA[16]	ebc_gdpwr0			I/O	12	Down	I Down	
LCDC_DATA[17]	AD15	LCDC_DATA[17]	ebc_gdpwr1			I/O	12	Down	I Down	
LCDC_DATA[18]	Y11	LCDC_DATA[18]	ebc_gdpwr2			I/O	12	Down	I Down	
LCDC_DATA[19]	Y13	LCDC_DATA[19]	ebc_vcom			I/O	12	Down	I Down	
LCDC_DATA[20]	AA11	LCDC_DATA[20]	ebc_sdshr			I/O	12	Down	I Down	
LCDC_DATA[21]	W14	LCDC_DATA[21]	ebc_gdoe			I/O	12	Down	I Down	
LCDC_DATA[22]	W13	LCDC_DATA[22]	ebc_gdsp			I/O	12	Down	I Down	
LCDC_DATA[23]	W12	LCDC_DATA[23]	ebc_gdrl			I/O	12	Down	I Down	
VIP_DATAIN[4]	W15	VIP_DATAIN[4]				I	8	Down	I Down	
VIP_DATAIN[5]	AB16	VIP_DATAIN[5]				I	8	Down	I Down	
VIP_DATAIN[6]	AC16	VIP_DATAIN[6]				I	8	Down	I Down	
VIP_DATAIN[7]	Y16	VIP_DATAIN[7]				I	8	Down	I Down	
VIP_DATAIN[8]	AB17	VIP_DATAIN[8]				I	8	Down	I Down	
VIP_DATAIN[9]	AD16	VIP_DATAIN[9]				I	8	Down	I Down	
VIP_DATAIN[10]	AA15	VIP_DATAIN[10]				I	8	Down	I Down	
VIP_DATAIN[11]	Y15	VIP_DATAIN[11]				I	8	Down	I Down	

VIP_VSYNC	AB18	VIP_VSYNC				I	8	Down	I Down	
VIP_HREF	AC17	VIP_HREF				I	8	Down	I Down	
VIP_CLKIN	AD17	VIP_CLKIN				I	8	Down	I Down	
GPIO1_B[4]	W16	GPIO1_B[4]	vip_clkout			I/O	12	Down	I Down	
GPIO1_B[0]	AA16	GPIO1_B[0]	vip_data0			I/O	8	Down	I Down	
GPIO1_B[1]	AA17	GPIO1_B[1]	vip_data1			I/O	8	Down	I Down	
GPIO1_B[2]	AD18	GPIO1_B[2]	vip_data2			I/O	8	Down	I Down	
GPIO1_B[3]	AC18	GPIO1_B[3]	vip_data3			I/O	8	Down	I Down	
GPIO5_C[0]	Y18	GPIO5_C[0]	ebc_sddo0	smc_data0		I/O	8	Down	I Down	
GPIO5_C[1]	AA18	GPIO5_C[1]	ebc_sddo1	smc_data1		I/O	8	Down	I Down	
GPIO5_C[2]	AC19	GPIO5_C[2]	ebc_sddo2	smc_data2		I/O	8	Down	I Down	
GPIO5_C[3]	AD19	GPIO5_C[3]	ebc_sddo3	smc_data3		I/O	8	Down	I Down	
GPIO5_C[4]	W18	GPIO5_C[4]	ebc_sddo4	smc_data4		I/O	8	Down	I Down	
GPIO5_C[5]	AA20	GPIO5_C[5]	ebc_sddo5	smc_data5		I/O	8	Down	I Down	
GPIO5_C[6]	AB20	GPIO5_C[6]	ebc_sddo6	smc_data6		I/O	8	Down	I Down	
GPIO5_C[7]	AC20	GPIO5_C[7]	ebc_sddo7	smc_data7		I/O	8	Down	I Down	
GPIO5_D[0]	Y19	GPIO5_D[0]	ebc_sdle	smc_addr5	host_data5	I/O	8	Down	I Down	
GPIO5_D[1]	W19	GPIO5_D[1]	ebc_sdclk	smc_addr6	host_data6	I/O	8	Down	I Down	
GPIO0_D[0]	AB21	GPIO0_D[0]	ebc_sdoe	smc_adv_n		I/O	8	Up	I Up	VDDIO_SMC0
GPIO0_D[1]	AC21	GPIO0_D[1]	ebc_gdclk	smc_addr4	host_data4	I/O	8	Down	I Down	VDDIO_SMC1
GPIO0_B[0]	AD20	GPIO0_B[0]	ebc_sdce0	smc_addr0	host_data0	I/O	8	Down	I Down	
GPIO0_B[1]	AA21	GPIO0_B[1]	ebc_sdce1	smc_addr1	host_data1	I/O	8	Down	I Down	
GPIO0_B[2]	AD21	GPIO0_B[2]	ebc_sdce2	smc_addr2	host_data2	I/O	8	Down	I Down	
GPIO0_B[3]	AC22	GPIO0_B[3]	ebc_border0	smc_addr3	host_data3	I/O	8	Down	I Down	
GPIO0_B[4]	AD22	GPIO0_B[4]	ebc_border1	smc_we_n		I/O	8	Up	I Up	
GPIO1_A[1]	W17	GPIO1_A[1]	smc_csn0			I/O	8	Up	I Up	
GPIO0_B[5]	Y17	GPIO0_B[5]	ebc_vcom	smc_bls_n_0		I/O	8	Up	I Up	
GPIO0_B[7]	AB22	GPIO0_B[7]	ebc_gdoe	smc_oe_n		I/O	8	Up	I Up	
GPIO0_C[0]	AC23	GPIO0_C[0]	ebc_gdsp	smc_data8		I/O	8	Down	I Down	
GPIO0_C[1]	AD23	GPIO0_C[1]	ebc_gdrl	smc_data9		I/O	8	Down	I Down	

GPIO0_C[2]	AB19	GPIO0_C[2]	ebc_gdpwr0	smc_data10		I/O	8	Down	I Down		
GPIO0_C[3]	AB23	GPIO0_C[3]	ebc_gdpwr1	smc_data11		I/O	8	Down	I Down		
GPIO0_C[4]	Y20	GPIO0_C[4]	ebc_gdpwr2	smc_data12		I/O	8	Down	I Down		
GPIO0_C[5]	AA22	GPIO0_C[5]	ebc_sdce3	smc_data13		I/O	8	Down	I Down		
GPIO0_C[6]	AC24	GPIO0_C[6]	ebc_sdce4	smc_data14		I/O	8	Down	I Down		
GPIO0_C[7]	AD24	GPIO0_C[7]	ebc_sdce5	smc_data15		I/O	8	Down	I Down		
GPIO3_D[5]	Y22	GPIO3_D[5]	smc_addr7	host_data7		I/O	8	Down	I Down		
GPIO3_D[6]	R19	GPIO3_D[6]	smc_addr8	host_data8		I/O	8	Down	I Down		
GPIO0_B[6]	AA19	GPIO0_B[6]	ebc_sdshr	smc_bls_n_1	ap2bb_int	I/O	8	Up	I Up		
GPIO1_A[2]	Y21	GPIO1_A[2]	smc_csn1			I/O	8	Up	I Up		
SARADC_AIN[0]	AA23	SARADC_AIN[0]				A	N/A	N/A	N/A		SARADC Domain
SARADC_AIN[1]	Y23	SARADC_AIN[1]				A	N/A	N/A	N/A		
SARADC_AIN[2]	Y24	SARADC_AIN[2]				A	N/A	N/A	N/A		
SARADC_AIN[3]	AA24	SARADC_AIN[3]				A	N/A	N/A	N/A		
VDDA_SARADC	AB24	2.5V				AP	N/A	N/A	N/A		
OTG0_VSSAC	W20	Analog Ground				AG	N/A	N/A	N/A	USB OTG2.0 Domain	
OTG0_DVSS	W21	Digital Ground				DG	N/A	N/A	N/A		
OTG0_DVDD	V19	1.2V				DP	N/A	N/A	N/A		
OTG0_VDD25	V22	2.5V				AP	N/A	N/A	N/A		
OTG0_DM	V23	OTG0_DM				A	N/A	N/A	N/A		
OTG0_RKELVIN	W24	OTG0_RKELVIN				A	N/A	N/A	N/A		
OTG0_DP	V24	OTG0_DP				A	N/A	N/A	N/A		
OTG0_VSSA	V21	Analog Ground				AG	N/A	N/A	N/A		
OTG0_VBUS	W22	OTG0_VBUS				A	N/A	N/A	N/A		
OTG0_VDD33	W23	3.3V				AP	N/A	N/A	N/A		
OTG0_ID	V20	OTG0_ID				A	N/A	N/A	N/A	USB Host2.0 Domain	
OTG1_ID	T20	OTG1_ID				A	N/A	N/A	N/A		
OTG1_VDD33	U23	3.3V				AP	N/A	N/A	N/A		
OTG1_VBUS	U22	OTG1_VBUS				A	N/A	N/A	N/A		
OTG1_VSSA	T21	Analog Ground				AG	N/A	N/A	N/A		

OTG1_DP	T24	OTG1_DP				A	N/A	N/A	N/A	
OTG1_RKELVIN	U24	OTG1_RKELVIN				A	N/A	N/A	N/A	
OTG1_DM	T23	OTG1_DM				A	N/A	N/A	N/A	
OTG1_VDD25	T22	2.5V				AP	N/A	N/A	N/A	
OTG1_DVDD	U19	1.2V				DP	N/A	N/A	N/A	
OTG1_DVSS	U21	Digital Ground				DG	N/A	N/A	N/A	
OTG1_VSSAC	U20	Analog Ground				AG	N/A	N/A	N/A	
VDDIO_UHOST	R22	3.3V				DP	N/A	N/A	N/A	USB Host1.1 Domain
USBHOST_DN	R23	USBHOST_DN				A	N/A	N/A	N/A	
USBHOST_DP	R24	USBHOST_DP				A	N/A	N/A	N/A	
VSSIO_UHOST	R21	Digital Ground				DG	N/A	N/A	N/A	
VDDCORE_RTC	U18	1.2V				DP	N/A	N/A	N/A	RTC Domain
XIN32K	P24	XIN32K				I	N/A	N/A	I	
XOUT32K	P23	XOUT32K				O	N/A	N/A	O	
RTCINT_OUT	P22	RTCINT_OUT				O	8	Down	O Down	
VDDIO_RTC	P21	3.3V/1.8V				DP	N/A	N/A	N/A	efuse Domain
VDDIO_EFUSE	T19	3.3V				DP	N/A	N/A	N/A	
EFUSE_VQPS	R20	EFUSE_VQPS				A	N/A	N/A	N/A	
VDDCORE_EFUSE	P20	1.2V				DP	N/A	N/A	N/A	
FLASH_DATA[0]	N23	FLASH_DATA[0]				I/O	8	Down	I Down	VDDIO_FLASH0 VDDIO_FLASH1
FLASH_DATA[1]	N19	FLASH_DATA[1]				I/O	8	Down	I Down	
FLASH_DATA[2]	L22	FLASH_DATA[2]				I/O	8	Down	I Down	
FLASH_DATA[3]	L23	FLASH_DATA[3]				I/O	8	Down	I Down	
FLASH_DATA[4]	N24	FLASH_DATA[4]				I/O	8	Down	I Down	
FLASH_DATA[5]	M23	FLASH_DATA[5]				I/O	8	Down	I Down	
FLASH_DATA[6]	L19	FLASH_DATA[6]				I/O	8	Down	I Down	
FLASH_DATA[7]	L21	FLASH_DATA[7]				I/O	8	Down	I Down	
FLASH_RDY	N20	FLASH_RDY				I	8	Up	I Up	
FLASH_ALE	P19	FLASH_ALE				O	8	Down	O Down	
FLASH_CLE	M21	FLASH_CLE				O	8	Down	O Down	

FLASH_RDN	N21	FLASH_RDN				O	8	Up	O Up	
FLASH_WRN	K20	FLASH_WRN				O	8	Up	O Up	
FLASH_WP	K19	FLASH_WP				O	8	Down	O Down	
GPIO4_B[0]	L20	GPIO4_B[0]	flash_data8			I/O	8	Down	I Down	
GPIO4_B[1]	M22	GPIO4_B[1]	flash_data9			I/O	8	Down	I Down	
GPIO4_B[2]	J23	GPIO4_B[2]	flash_data10			I/O	8	Down	I Down	
GPIO4_B[3]	J24	GPIO4_B[3]	flash_data11			I/O	8	Down	I Down	
GPIO4_B[4]	N22	GPIO4_B[4]	flash_data12			I/O	8	Down	I Down	
GPIO4_B[5]	M20	GPIO4_B[5]	flash_data13			I/O	8	Down	I Down	
GPIO4_B[6]	K21	GPIO4_B[6]	flash_data14			I/O	8	Down	I Down	
GPIO4_B[7]	M19	GPIO4_B[7]	flash_data15			I/O	8	Down	I Down	
FLASH_CSN0	M24	FLASH0_CSN				O	8	Up	O Up	
GPIO0_D[2]	K24	GPIO0_D[2]	flash_csn1			I/O	8	Up	I Up	
GPIO0_D[3]	K22	GPIO0_D[3]	flash_csn2			I/O	8	Up	I Up	
GPIO0_D[4]	K23	GPIO0_D[4]	flash_csn3			I/O	8	Up	I Up	
GPIO0_D[5]	J22	GPIO0_D[5]	flash_csn4			I/O	8	Up	I Up	
GPIO0_D[6]	J19	GPIO0_D[6]	flash_csn5			I/O	8	Up	I Up	
GPIO0_D[7]	L24	GPIO0_D[7]	flash_csn6			I/O	8	Up	I Up	
GPIO1_A[0]	J20	GPIO1_A[0]	flash_csn7	mddr_tq		I/O	8	Up	I Up	
GPIO0_A[5]	J21	GPIO0_A[5]	flash_dqs			I/O	8	Up	I Up	
GPIO3_B[1]	H21	GPIO3_B[1]	emmc_cmd			I/O	8	Up	I Up	
GPIO3_B[0]	E22	GPIO3_B[0]	emmc_clkout			I/O	12	Down	I Down	
GPIO3_B[2]	F22	GPIO3_B[2]	emmc_data0			I/O	8	Up	I Up	VDDIO1
GPIO3_B[3]	H24	GPIO3_B[3]	emmc_data1			I/O	8	Up	I Up	VDDIO2
GPIO3_B[4]	F23	GPIO3_B[4]	emmc_data2			I/O	8	Up	I Up	VDDIO3
GPIO3_B[5]	F24	GPIO3_B[5]	emmc_data3			I/O	8	Up	I Up	VDDIO4
GPIO3_B[6]	G23	GPIO3_B[6]	emmc_data4			I/O	8	Up	I Up	VDDIO5
GPIO3_B[7]	D23	GPIO3_B[7]	emmc_data5			I/O	8	Up	I Up	VDDIO6
GPIO3_C[0]	F21	GPIO3_C[0]	emmc_data6			I/O	8	Up	I Up	
GPIO3_C[1]	G21	GPIO3_C[1]	emmc_data7			I/O	8	Up	I Up	

GPIO1_C[2]	D24	GPIO1_C[2]	sdio_cmd			I/O	8	Up	I Up
GPIO1_C[3]	H22	GPIO1_C[3]	sdio_data0			I/O	8	Up	I Up
GPIO1_C[4]	H23	GPIO1_C[4]	sdio_data1			I/O	8	Up	I Up
GPIO1_C[5]	H18	GPIO1_C[5]	sdio_data2			I/O	8	Up	I Up
GPIO1_C[6]	H19	GPIO1_C[6]	sdio_data3			I/O	8	Up	I Up
GPIO1_C[7]	G24	GPIO1_C[7]	sdio_clkout			I/O	12	Down	I Down
GPIO1_D[0]	D22	GPIO1_D[0]	sdmmc_clkout			I/O	12	Down	I Down
GPIO1_D[1]	G20	GPIO1_D[1]	sdmmc_cmd			I/O	8	Up	I Up
GPIO1_D[2]	D20	GPIO1_D[2]	sdmmc_data0			I/O	8	Up	I Up
GPIO1_D[3]	G22	GPIO1_D[3]	sdmmc_data1			I/O	8	Up	I Up
GPIO1_D[4]	B24	GPIO1_D[4]	sdmmc_data2			I/O	8	Up	I Up
GPIO1_D[5]	G19	GPIO1_D[5]	sdmmc_data3			I/O	8	Up	I Up
GPIO1_D[6]	C23	GPIO1_D[6]	sdmmc_data4			I/O	8	Up	I Up
GPIO1_D[7]	E20	GPIO1_D[7]	sdmmc_data5			I/O	8	Up	I Up
GPIO2_A[0]	C22	GPIO2_A[0]	sdmmc_data6			I/O	8	Up	I Up
GPIO2_A[1]	E23	GPIO2_A[1]	sdmmc_data7			I/O	8	Up	I Up
GPIO2_D[0]	E24	GPIO2_D[0]	i2s0_clk	mii_rx_clkin		I/O	12	Down	I Down
GPIO2_D[1]	H20	GPIO2_D[1]	i2s0_sclk	mii_crs		I/O	8	Down	I Down
GPIO2_D[2]	A21	GPIO2_D[2]	i2s0_lrck_rx	mii_tx_err		I/O	8	Down	I Down
GPIO2_D[3]	B22	GPIO2_D[3]	i2s0_sdi	mii_col		I/O	8	Down	I Down
GPIO2_D[4]	C21	GPIO2_D[4]	i2s0_sdo0	mii_rxd2		I/O	8	Down	I Down
GPIO2_D[5]	A23	GPIO2_D[5]	i2s0_sdo1	mii_rxd3		I/O	8	Down	I Down
GPIO2_D[6]	A24	GPIO2_D[6]	i2s0_sdo2	mii_txd2		I/O	8	Down	I Down
GPIO2_D[7]	C24	GPIO2_D[7]	i2s0_sdo3	mii_txd3		I/O	8	Down	I Down
GPIO4_D[6]	F20	GPIO4_D[6]	i2s0_lrck_tx0			I/O	8	Down	I Down
GPIO4_D[7]	B21	GPIO4_D[7]	i2s0_lrck_tx1			I/O	8	Down	I Down
GPIO4_C[0]	A20	GPIO4_C[0]	rmii_clkout	rmii_clkin		I/O	12	Down	I Down
GPIO4_C[1]	A22	GPIO4_C[1]	rmii_tx_en	mii_tx_en		I/O	8	Down	I Down
GPIO4_C[2]	C19	GPIO4_C[2]	rmii_txd1	mii_txd1		I/O	8	Down	I Down
GPIO4_C[3]	D21	GPIO4_C[3]	rmii_txd0	mii_txd0		I/O	8	Down	I Down

GPIO4_C[4]	C18	GPIO4_C[4]	rmii_rx_err	mii_rx_err		I/O	8	Down	I Down	
GPIO4_C[5]	A18	GPIO4_C[5]	rmii_crs_dvalid	mii_rxd_valid		I/O	8	Down	I Down	
GPIO4_C[6]	B23	GPIO4_C[6]	rmii_rxd1	mii_rxd1		I/O	8	Down	I Down	
GPIO4_C[7]	E19	GPIO4_C[7]	rmii_rxd0	mii_rxd0		I/O	8	Down	I Down	
GPIO5_A[3]	B18	GPIO5_A[3]	mii_tx_clkin			I/O	8	Up	I Up	
GPIO5_A[5]	B20	GPIO5_A[5]	hsadc_data0			I/O	8	Down	I Down	
GPIO5_A[6]	F18	GPIO5_A[6]	hsadc_data1			I/O	8	Down	I Down	
GPIO5_A[7]	A19	GPIO5_A[7]	hsadc_data2			I/O	8	Down	I Down	
GPIO5_B[0]	E21	GPIO5_B[0]	hsadc_data3			I/O	8	Down	I Down	
GPIO5_B[1]	C20	GPIO5_B[1]	hsadc_data4			I/O	8	Down	I Down	
GPIO5_B[2]	B17	GPIO5_B[2]	hsadc_data5			I/O	8	Down	I Down	
GPIO5_B[3]	A17	GPIO5_B[3]	hsadc_data6			I/O	8	Down	I Down	
GPIO5_B[4]	C17	GPIO5_B[4]	hsadc_data7			I/O	8	Down	I Down	VDDIO1
GPIO5_B[5]	B19	GPIO5_B[5]	hsadc_data8/ts_valid			I/O	8	Down	I Down	VDDIO2
GPIO5_B[6]	C13	GPIO5_B[6]	hsadc_data9/ts_fail			I/O	8	Down	I Down	VDDIO3
GPIO5_A[4]	C16	GPIO5_A[4]	ts_sync			I/O	8	Down	I Down	VDDIO4
GPIO5_B[7]	F19	GPIO5_B[7]	hsadc_clkout	gps_clk		I/O	8	Down	I Down	VDDIO5
GPIO3_D[7]	E17	GPIO3_D[7]	smc_addr9	host_data9		I/O	8	Down	I Down	VDDIO6
GPIO3_C[3]	E16	GPIO3_C[3]	smc_addr10	host_data10		I/O	8	Down	I Down	
GPIO3_C[4]	A16	GPIO3_C[4]	smc_addr11	host_data11		I/O	8	Down	I Down	
GPIO3_C[5]	B15	GPIO3_C[5]	smc_addr12	host_data12		I/O	8	Down	I Down	
GPIO3_C[2]	A14	GPIO3_C[2]	smc_addr13	host_data13		I/O	8	Down	I Down	
GPIO3_A[6]	F17	GPIO3_A[6]	smc_addr14	host_data14		I/O	8	Down	I Down	
GPIO3_A[7]	B13	GPIO3_A[7]	smc_addr15	host_data15		I/O	8	Down	I Down	
GPIO3_C[6]	B14	GPIO3_C[6]	smc_addr16	host_data16		I/O	8	Down	I Down	
GPIO3_C[7]	D16	GPIO3_C[7]	smc_addr17	host_data17		I/O	8	Down	I Down	
GPIO3_D[0]	F14	GPIO3_D[0]	smc_addr18	host_addr0		I/O	8	Down	I Down	
GPIO3_D[1]	A15	GPIO3_D[1]	smc_addr19	host_addr1		I/O	8	Down	I Down	
GPIO2_C[1]	E14	GPIO2_C[1]	spi0_csn0			I/O	8	Up	I Up	
GPIO2_C[2]	E15	GPIO2_C[2]	spi0_txd			I/O	8	Down	I Down	

GPIO2_C[0]	D14	GPIO2_C[0]	spi0_clk			I/O	12	Down	I Down
GPIO2_C[3]	D15	GPIO2_C[3]	spi0_rxd			I/O	8	Down	I Down
GPIO2_C[4]	F16	GPIO2_C[4]	spi1_clk			I/O	12	Down	I Down
GPIO2_C[5]	A13	GPIO2_C[5]	spi1_csn0			I/O	8	Up	I Up
GPIO2_C[6]	B16	GPIO2_C[6]	spi1_txd			I/O	8	Down	I Down
GPIO2_C[7]	C14	GPIO2_C[7]	spi1_rxd			I/O	8	Down	I Down
GPIO4_A[7]	C15	GPIO4_A[7]	spdif_tx			I/O	8	Down	I Down
GPIO0_A[6]	D18	GPIO0_A[6]	mii_md			I/O	8	Down	I Down
GPIO0_A[7]	D11	GPIO0_A[7]	mii_mdclk			I/O	8	Down	I Down
GPIO3_D[2]	D17	GPIO3_D[2]	host_csn			I/O	8	Up	I Up
GPIO3_D[3]	E18	GPIO3_D[3]	host_rdn			I/O	8	Up	I Up
GPIO3_D[4]	D19	GPIO3_D[4]	host_wrn			I/O	8	Up	I Up
GPIO5_D[7]	F12	GPIO5_D[7]				I/O	8	Up	I Up
GPIO6_D[0]	V9	GPIO6_D[0]				I/O	8	Down	I Down
GPIO6_D[1]	W8	GPIO6_D[1]				I/O	8	Down	I Down
GPIO6_D[2]	V8	GPIO6_D[2]				I/O	8	Down	I Down
GPIO6_D[3]	W7	GPIO6_D[3]				I/O	8	Down	I Down
GPIO6_C[0]	C12	GPIO6_C[0]				I/O	8	Down	I Down
GPIO6_C[1]	E12	GPIO6_C[1]				I/O	8	Down	I Down
GPIO6_C[2]	A11	GPIO6_C[2]				I/O	8	Down	I Down
GPIO6_C[3]	D13	GPIO6_C[3]				I/O	8	Down	I Down
GPIO6_C[4]	F13	GPIO6_C[4]	trace_data4			I/O	8	Down	I Down
GPIO6_C[5]	E10	GPIO6_C[5]	trace_data5			I/O	8	Down	I Down
GPIO6_C[6]	C11	GPIO6_C[6]	trace_data6			I/O	8	Down	I Down
GPIO6_C[7]	E13	GPIO6_C[7]	trace_data7			I/O	8	Down	I Down
GPIO1_A[6]	A12	GPIO1_A[6]	i2c1_sda			I/O	8	Up	I Up
GPIO1_A[7]	B12	GPIO1_A[7]	i2c1_scl			I/O	8	Up	I Up
GPIO4_A[5]	G17	GPIO4_A[5]	otg0_drv_vbus			I/O	8	Down	I Down
GPIO4_A[6]	B11	GPIO4_A[6]	otg1_drv_vbus			I/O	8	Down	I Down
GPIO4_D[0]	D12	GPIO4_D[0]	trace_data0			I/O	8	Up	I Up

GPIO4_D[1]	E11	GPIO4_D[1]	trace_data1			I/O	8	Up	I Up	
GPIO4_D[2]	F10	GPIO4_D[2]	trace_data2			I/O	8	Up	I Up	
GPIO4_D[3]	F9	GPIO4_D[3]	trace_data3			I/O	8	Up	I Up	
GPIO4_D[4]	C10	GPIO4_D[4]	trace_clk			I/O	8	Down	I Down	
GPIO4_D[5]	F11	GPIO4_D[5]	trace_ctl			I/O	8	Down	I Down	
GPIO1_A[3]	F15	GPIO1_A[3]	emmc_detect_n	spi1_csn1		I/O	8	Up	I Up	
GPIO1_A[4]	A10	GPIO1_A[4]	emmc_write_prt	spi0_csn1		I/O	8	Up	I Up	
GPIO1_A[5]	A9	GPIO1_A[5]	emmc_pwr_en	pwm3		I/O	8	Down	I	
GPIO1_B[5]	C8	GPIO1_B[5]	pwm0			I/O	8	Down	I Down	
GPIO2_A[2]	B10	GPIO2_A[2]	sdmmc_detect_n			I/O	8	Up	I Up	
GPIO2_A[3]	B9	GPIO2_A[3]	sdmmc_write_prt	pwm2	uart1_sir_out_n	I/O	8	Down	I Down	
GPIO2_A[4]	C7	GPIO2_A[4]	uart1_sin			I/O	8	Down	I Down	
GPIO2_A[5]	E9	GPIO2_A[5]	uart1_sout			I/O	8	Down	I Down	
GPIO2_B[6]	C9	GPIO2_B[6]	i2c0_sda			I/O	8	Up	I Up	
GPIO2_B[7]	D10	GPIO2_B[7]	i2c0_scl			I/O	8	Up	I Up	
GPIO5_D[3]	B8	GPIO5_D[3]	i2c2_sda			I/O	8	Up	I Up	
GPIO5_D[4]	D9	GPIO5_D[4]	i2c2_scl			I/O	8	Up	I Up	
GPIO6_B[5]	B2	GPIO6_B[5]				I/O	8	Down	I Down	
GPIO6_B[6]	B1	GPIO6_B[6]				I/O	8	Down	I Down	
GPIO6_B[7]	A2	GPIO6_B[7]				I/O	8	Down	I Down	
GPIO5_D[2]	B7	GPIO5_D[2]	pwm1	uart1_sir_in		I/O	8	Down	I Down	
GPIO5_D[5]	A7	GPIO5_D[5]	sdmmc_pwr_en			I/O	8	Down	I Down	
GPIO5_D[6]	A6	GPIO5_D[6]	sdio_pwr_en			I/O	8	Down	I Down	
GPIO3_A[0]	D7	GPIO3_A[0]	i2s1_clk			I/O	12	Down	I Down	
GPIO3_A[1]	B6	GPIO3_A[1]	i2s1_sclk			I/O	8	Down	I Down	
GPIO3_A[2]	C6	GPIO3_A[2]	i2s1_lrck_rx			I/O	8	Down	I Down	
GPIO3_A[3]	B5	GPIO3_A[3]	i2s1_sdi			I/O	8	Down	I Down	VDDIO_AP0 VDDIO_AP1
GPIO3_A[4]	A5	GPIO3_A[4]	i2s1_sdo			I/O	8	Down	I Down	
GPIO3_A[5]	A4	GPIO3_A[5]	i2s1_lrck_tx			I/O	8	Down	I Down	
GPIO2_A[6]	C5	GPIO2_A[6]	uart2_cts_n			I/O	8	Up	I Up	

GPIO2_A[7]	B4	GPIO2_A[7]	uart2_rts_n			I/O	8	Up	I Up
GPIO2_B[0]	E6	GPIO2_B[0]	uart2_sin			I/O	8	Down	I Down
GPIO2_B[1]	E8	GPIO2_B[1]	uart2_sout			I/O	8	Down	I Down
GPIO2_B[2]	A8	GPIO2_B[2]	uart3_sin			I/O	8	Down	I Down
GPIO2_B[3]	F8	GPIO2_B[3]	uart3_sout			I/O	8	Down	I Down
GPIO2_B[4]	D6	GPIO2_B[4]	uart3_cts_n	i2c3_sda		I/O	8	Up	I Up
GPIO2_B[5]	E7	GPIO2_B[5]	uart3_rts_n	i2c3_scl		I/O	8	Up	I Up
GPIO1_B[6]	D8	GPIO1_B[6]	uart0_sin			I/O	8	Down	I Down
GPIO1_B[7]	D5	GPIO1_B[7]	uart0_sout			I/O	8	Down	I Down
GPIO1_C[0]	A3	GPIO1_C[0]	uart0_cts_n	sdio_detect_n		I/O	8	Up	I Up
GPIO1_C[1]	C4	GPIO1_C[1]	uart0_rts_n	sdio_write_prt		I/O	8	Up	I Up
GPIO6_A[0]	A1	GPIO6_A[0]				I/O	8	Down	I Down
GPIO6_A[1]	B3	GPIO6_A[1]				I/O	8	Down	I Down
GPIO6_A[2]	C3	GPIO6_A[2]				I/O	8	Down	I Down
GPIO6_A[3]	D4	GPIO6_A[3]				I/O	8	Down	I Down
GPIO6_A[4]	E5	GPIO6_A[4]				I/O	8	Down	I Down
GPIO6_A[5]	C1	GPIO6_A[5]				I/O	8	Down	I Down
GPIO6_A[6]	D1	GPIO6_A[6]				I/O	8	Down	I Down
GPIO6_A[7]	D2	GPIO6_A[7]				I/O	8	Down	I Down
GPIO6_B[0]	E1	GPIO6_B[0]				I/O	8	Down	I Down
GPIO6_B[1]	F1	GPIO6_B[1]				I/O	8	Down	I Down
GPIO6_B[2]	E3	GPIO6_B[2]				I/O	8	Down	I Down
GPIO6_B[3]	D3	GPIO6_B[3]				I/O	8	Down	I Down
GPIO6_B[4]	C2	GPIO6_B[4]				I/O	8	Down	I Down
GPIO5_A[0]	E2	GPIO5_A[0]				I/O	8	Up	I Up
GPIO5_A[1]	F3	GPIO5_A[1]				I/O	8	Up	I Up
GPIO5_A[2]	E4	GPIO5_A[2]				I/O	8	Up	I Up
GPIO0_A[0]	F4	GPIO0_A[0]				I/O	8	Up	I Up
GPIO0_A[1]	F2	GPIO0_A[1]				I/O	8	Up	I Up
GPIO0_A[2]	G3	GPIO0_A[2]				I/O	8	Up	I Up

GPIO0_A[3]	H3	GPIO0_A[3]				I/O	8	Up	I Up
GPIO0_A[4]	G4	GPIO0_A[4]				I/O	8	Up	I Up
GPIO4_A[0]	J1	GPIO4_A[0]				I/O	8	Up	I Up
GPIO4_A[1]	J2	GPIO4_A[1]				I/O	8	Up	I Up
GPIO4_A[2]	J3	GPIO4_A[2]				I/O	8	Up	I Up
GPIO4_A[3]	H4	GPIO4_A[3]				I/O	8	Up	I Up
GPIO4_A[4]	J4	GPIO4_A[4]				I/O	8	Down	I Down
NC0	U3	--	--	--	--	--	--	--	--
NC1	U4	--	--	--	--	--	--	--	--
NC2	AB3	--	--	--	--	--	--	--	--
NC3	AA4	--	--	--	--	--	--	--	--
NC4	AA8	--	--	--	--	--	--	--	--
NC5	AB8	--	--	--	--	--	--	--	--
NC6	W9	--	--	--	--	--	--	--	--

- Notes :
- ①: Pad types : I = input , O = output , I/O = input/output (bidirectional) ,
 AP = Analog Power , AG = Analog Ground
 DP = Digital Power , DG = Digital Ground
 A = Analog
 - ②: Output Drive Unit is mA , only Digital IO have drive value
 - ③: Reset state : I = input without any pull resistor , O = output without any pull resistor ,
 I Up = input with weak pullup resistor , I Down = Input with weak pulldown resistor
 O Up =output with weak pullup resistor ,O Down =output with weak pulldown resistor
 - ④: It is die location. For examples, "Left side" means that all the related IOs are always in left side of die
 - ⑤: Power supply means that all the related IOs is in these IO power domain. If multiple powers is included, they are connected together in one IO power ring

2.4 IO pin name descriptions

This sub-chapter will focus on the detailed function description of every pins based on different interface.

Table 2-4 RK2918 IO function description list

Interface	Pin Name	Direction	Description
Misc	EWAKEUP_STOP	I	PMU stop mode dedicated external wakeup source
	EWAKEUP_POWER	I	PMU power down mode dedicated external wakeup source
	TEST	I	chip test mode enable
	BTMODE	I	chip boot device select (BootRom or Nor Flash)
	LCDC_BYP	I	host interface bypass to lcdc interface enable
	NPOR	I	Power on reset for chip

Interface	Pin Name	Direction	Description
Debug	TRST_N	I	JTAG interface reset input
	TCK	I	JTAG interface clock input/SWD interface clock input
	TDI	I	JTAG interface TDI input
	TMS	I/O	JTAG interface TMS input/SWD interface data out
	TDO	O	JTAG interface TDO output

Interface	Pin Name	Direction	Description
ETM Trace	trace_clk	O	Cortex-A8 ETM trace port clk
	trace_ctl	O	Cortex-A8 ETM trace port control
	trace_data <i>i</i> (<i>i</i> =0~7)	O	Cortex-A8 ETM trace port data

Interface	Pin Name	Direction	Description
SD/MMC Host Controller	sdmmc_clkout	O	sdmmc card clock.
	sdmmc_cmd	I/O	sdmmc card command output and reponse input.
	sdmmc_data <i>i</i> (<i>i</i> =0~7)	I/O	sdmmc card data input and output.
	sdmmc_detect_n	I	sdmmc card detect signal, a 0 represents presence of card.
	sdmmc_write_prt	I	sdmmc card write protect signal, a 1 represents write is protected.
	sdmmc_pwr_en	O	sdmmc card power-enable control signal

Interface	Pin Name	Direction	Description
SDIO Host Controller	sdio_clkout	O	sdio card clock.
	sdio_cmd	I/O	sdio card command output and reponse input.

	sdio_data <i>i</i> (<i>i</i> =0~3)	I/O	sdio card data input and output.
	sdio_detect_n	I	sdio card detect signal, a 0 represents presence of card.
	sdio_write_prt	I	sdio card write protect signal, a 1 represents write is protected.
	sdio_pwr_en	O	sdio card power-enable control signal

Interface	Pin Name	Direction	Description
eMMC Interface	emmc_clkout	O	emmc card clock.
	emmc_cmd	I/O	emmc card command output and reponse input.
	emmc_data <i>i</i> (<i>i</i> =0~7)	I/O	emmc card data input and output.
	emmc_detect_n	I	emmc card detect signal, a 0 represents presence of card.
	emmc_write_prt	I	emmc card write protect signal, a 1 represents write is protected.
	emmc_pwr_en	O	emmc card power-enable control signal

Interface	Pin Name	Direction	Description
DMC	CK	O	Active-high clock signal to the memory device.
	CK_B	O	Active-low clock signal to the memory device.
	CKE <i>i</i> (<i>i</i> =0,1)	O	Active-high clock enable signal to the memory device for two chip select.
	CS_B <i>i</i> (<i>i</i> =0,1)	O	Active-low chip select signal to the memory device. AThere are two chip select.
	RAS_B	O	Active-low row address strobe to the memory device.
	CAS_B	O	Active-low column address strobe to the memory device.
	WE_B	O	Active-low write enable strobe to the memory device.
	BA[2:0]	O	Bank address signal to the memory device.
	A[15:0]	O	Address signal to the memory device.
	DQ[31:0]	I/O	Bidirectional data line to the memory device.
	DQS[3:0]	I/O	Active-high bidirectional data strobes to the memory device.
	DQS_B[3:0]	I/O	Active-low bidirectional data strobes to the memory device.
	DM[3:0]	O	Active-low data mask signal to the memory device.
	ODT <i>i</i> (<i>i</i> =0,1)	O	On-Die Termination output signal for two chip select.
RET_EN	I	Active-low retention latch enable input	

	VREF _i (i=0,1,2)	N/A	Reference Voltage input for three regions of DDR IO
	ZQ_PIN	N/A	ZQ calibration pad which connects 240ohm±1% resistor
	mddr_tq	I	LPDDR temperature output signal to DDR controller
	DLL_TEST_PIN[1:0]	O	DLL digital test output.
	ANALOG_TEST_PIN	N/A	DLL analog test output.

Interface	Pin Name	Direction	Description
SMC	smc_oe_n	O	SMC output enable signal.
	smc_bls_ni (i=0,1)	O	SMC byte lane strobe signal for two bytes.
	smc_we_n	O	SMC write enable signal.
	smc_csni (i=0,1)	O	SMC chip enable signal.
	smc_adv_n	O	SMC address valid signal in shared mode
	smc_addr _i (i=0~19)	O	SMC address signal.
	smc_data _i (i=0~15)	I/O	SMC directional data line to memory device.

Interface	Pin Name	Direction	Description
HIF	ap2bb_int	O	Interrupt signal from RK2918 to modem in indirect access mode.
	host_wrn	I	Host write enable signal in i80 interface and host enable signal in i68 interface
	host_rdn	I	Host read enable signal in i80 interface and host read/write indication in i68 interface
	host_csn	I	Host chip select signal
	host_addr _i (i=0,1)	I	host address signal
	host_data _i (i=0~17)	I/O	host data bus, host_data[15:0] is for host access , host_data[17:16] is only for lcd bypass

Interface	Pin Name	Direction	Description
NandC	IO_FLASH_WP	O	Flash write-protected signal
	IO_FLASH_ALE	O	Flash address latch enable signal
	IO_FLASH_CLE	O	Flash command latch enable signal
	IO_FLASH_WRN	O	Flash write enable and clock signal
	IO_FLASH_RDN	O	Flash read enable and write/read signal
	IO_FLASH_DATA[_i](i=0~7)	I/O	Low 8bits of flash data inputs/outputs signal
	flash_data _i (i=8~15)	I/O	High 8bits of flash data inputs/outputs signal
	flash_dqs	I/O	Flash data strobe signal
	IO_FLASH_RDY	I	Flash ready/busy signal
	IO_FLASH0_CSN	O	Flash chip enable signal for chip 0
	flash_csni(i=1~7)	O	Flash chip enable signal for chip i, i=1~7

Interface	Pin Name	Direction	Description
HSADC Interface	hsadc_clkout	O	hsadc/tsi/gps reference clock
	hsadc_data <i>i</i> (<i>i</i> =0~9)	I	hsadc(<i>i</i> =0~9)/tsi(<i>i</i> =0~7)/gps data(<i>i</i> =0,1)
	ts_sync	I	ts synchronizer signal

Interface	Pin Name	Direction	Description
I2S/PCM0 Controller (8 channel)	i2s0_clk	O	I2S/PCM0 clock source
	i2s0_sclk	I/O	I2S/PCM0 serial clock
	i2s0_lrck_rx	I/O	I2S/PCM0 left & right channel signal for receiving serial data, synchronous left & right channel in I2S mode and the beginning of a group of left & right channels in PCM mode
	i2s0_sdi	I	I2S/PCM0 serial data input
	i2s0_sdoi (<i>i</i> =0,1,2,3)	O	I2S/PCM0 serial data output
	i2s0_lrck_tx <i>i</i> (<i>i</i> =0,1)	I/O(<i>i</i> =0) O(<i>i</i> =1)	I2S/PCM0 left & right channel signal for transmitting serial data, synchronous left & right channel in I2S mode (<i>i</i> =0) and the beginning of a group of left & right channels in PCM mode (<i>i</i> =0,1)

Interface	Pin Name	Direction	Description
I2S/PCM1 Controller (2 channel)	i2s1_clk	O	I2S/PCM1 clock source
	i2s1_sclk	I/O	I2S/PCM1 serial clock
	i2s1_lrck_rx	I/O	I2S/PCM1 left & right channel signal for receiving serial data, synchronous left & right channel in I2S mode and the beginning of a group of left & right channels in PCM mode
	i2s1_sdi	I	I2S/PCM1 serial data input
	i2s1_sdo	O	I2S/PCM1 serial data output
	i2s1_lrck_tx	I/O	I2S/PCM1 left & right channel signal for transmitting serial data, synchronous left & right channel in I2S mode and the beginning of a group of left & right channels in PCM mode

Interface	Pin Name	Direction	Description
SPDIF transmitter	spdif_tx	O	spdif biphasic data output

Interface	Pin Name	Direction	Description
SPI Controller	spix_clk (<i>x</i> =0,1)	I/O	spi serial clock
	spix_csny (<i>x</i> =0,1) (<i>y</i> =0,1)	I/O	spi chip select signal, low active
	spix_txd (<i>x</i> =0,1)	O	spi serial data output
	spix_rxd (<i>x</i> =0,1)	I	spi serial data input

Interface	Pin Name	Direction	Description
-----------	----------	-----------	-------------

LCDC	LCDC_DCLK	O	LCDC RGB interface display clock out, MCU i80 interface RS signal
	LCDC_VSYNC	O	LCDC RGB interface vertical sync pulse, MCU i80 interface CSN signal
	LCDC_HSYNC	O	LCDC RGB interface horizontal sync pulse, MCU i80 interface WEN signal
	LCDC_DEN	O	LCDC RGB interface data enable, MCU i80 interface REN signal
	LCDC_DATA[23:0]	I/O	LCDC data output/input

Interface	Pin Name	Direction	Description
Camera IF	VIP_CLKIN	I	Camera interface input pixel clock
	vip_clkout	O	Camera interface output work clock
	VIP_VSYNC	I	Camera interface vertical sync signal
	VIP_HREF	I	Camera interface horizontal sync signal
	vip_data[3:0]	I	Camera interface low 4-bit input pixel data
	VIP_DATAIN[11:4]	I	Camera interface high 8-bit input pixel data

Interface	Pin Name	Direction	Description
EBC	ebc_sdclk	O	Eink panel source clock
	ebc_sdle	O	Eink panel source latch pulse
	ebc_sdoe	O	Eink panel source data output enable
	ebc_sdce[5:0]	O	Eink panel source data shift enable
	ebc_sdd0[7:0]	O	Eink panel source data
	ebc_sdshr	O	Eink panel source scan direction
	ebc_gdclk	O	Eink panel gate clock
	ebc_gdoe	O	Eink panel gate output mode
	ebc_gdsp	O	Eink panel gate start pulse
	ebc_gdrl	O	Eink panel gate scan direction
	ebc_vcom	O	Eink panel com voltage enable
	ebc_border[1:0]	O	Eink panel border output signal
	ebc_power[2:0]	O	Eink panel power control signal

Interface	Pin Name	Direction	Description
MII/RMII	rmii_clkout	O	RMII REC_CLK output
	rmii_clkin	I	RMII REF_CLK input
	rmii_tx_en	O	rmii transfer enable
	rmii_txd1	O	rmii transfer data
	rmii_txd0	O	rmii transfer data
	rmii_rx_err	I	rmii receive error
	rmii_crs_dvalid	I	rmii carrier sense / receive data valid input
	rmii_rxd1	I	rmii receive data
	rmii_rxd0	I	rmii receive data
	mii_col	I	mii collision detect

	mii_crs	I	mii carrier sense detect
	mii_rx_clkln	I	mii receive clock from emac phy
	mii_rxd3	I	mii receive data
	mii_rxd2	I	mii receive data
	mii_rxd1	I	mii receive data
	mii_rxd0	I	mii receive data
	mii_rx_err	I	mii receive error
	mii_rxd_valid	I	mii receive data valid
	mii_tx_clkln	I	mii transfer clock from emac phy
	mii_txd3	O	mii transfer data
	mii_txd2	O	mii transfer data
	mii_txd1	O	mii transfer data
	mii_txd0	O	mii transfer data
	mii_tx_en	O	mii transfer data enable
	mii_tx_err	O	mii transfer error
	mii_md	I/O	mii management interface data
	mii_mdclk	O	mii management interface clock

Interface	Pin Name	Direction	Description
RTC	XIN32K	I	clock input of 32k crystal
	XOUT32K	O	clock output of 32k crystal
	RTCINT_OUT	O	RTC wakeup signal
	PWR_GOOD	I	power status signal, 0 means power off, 1 means power on

Interface	Pin Name	Direction	Description
PWM	pwm3	I/O	Pulse Width Modulation output
	pwm2	I/O	Pulse Width Modulation output
	pwm1	I/O	Pulse Width Modulation output
	pwm0	I/O	Pulse Width Modulation output

Interface	Pin Name	Direction	Description
I2C	i2c0_sda	I/O	I2C0 data
	i2c0_scl	I/O	I2C0 clock
	i2c1_sda	I/O	I2C1 data
	i2c1_scl	I/O	I2C1 clock
	i2c2_sda	I/O	I2C2 data
	i2c2_scl	I/O	I2C2 clock
	i2c3_sda	I/O	I2C3 data
	i2c3_scl	I/O	I2C3 clock

Interface	Pin Name	Direction	Description
UART	uart0_sin	I	UART0 serial data input

	uart0_sout	O	UART0 searial data output
	uart0_cts_n	I	UART0 clear to send
	uart0_rts_n	O	UART0 request to send
	uart1_sir_out_n	O	UART1 IRDA SIR data output
	uart1_sin	I	UART1 searial data input
	uart1_sout	O	UART1 searial data output
	uart1_sir_in	I	UART1 IRDA SIR data input
	uart2_cts_n	I	UART2 clear to send
	uart2_rts_n	O	UART2 request to send
	uart2_sin	I	UART2 searial data input
	uart2_sout	O	UART2 searial data output
	uart3_sin	I	UART3 searial data input
	uart3_sout	O	UART3 searial data output
	uart3_cts_n	I	UART3 clear to send
	uart3_rts_n	O	UART3 request to send

Interface	Pin Name	Direction	Description
USB OTG	OTG0_DM	N/A	USB OTG 2.0 Data signal DM
	OTG0_RKELVIN	N/A	USB OTG 2.0 Transmitter Kelvin Connection to Resistor Tune Pin
	OTG0_DP	N/A	USB OTG 2.0 Data signal DP
	OTG0_VBUS	N/A	USB OTG 2.0 5-V power supply pin
	otg0_drv_vbus	O	USB OTG 2.0 drive VBUS

Interface	Pin Name	Direction	Description
USB Host 2.0	OTG1_DM	N/A	USB HOST 2.0 Data signal DM
	OTG1_RKELVIN	N/A	USB HOST 2.0 Transmitter Kelvin Connection to Resistor Tune Pin
	OTG1_DP	N/A	USB HOST 2.0 Data signal DP
	OTG1_VBUS	N/A	USB HOST 2.0 5-V power supply pin
	otg1_drv_vbus	O	USB HOST 2.0 drive VBUS

Interface	Pin Name	Direction	Description
USB Host 1.1	USBHOST_DN	N/A	UHOST DN data-line
	USBHOST_DP	N/A	UHOST DP data-line

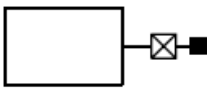
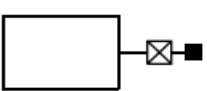
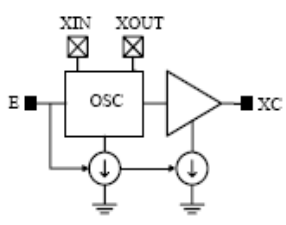
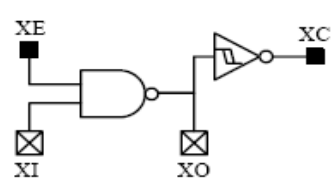
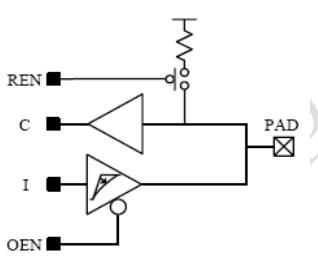
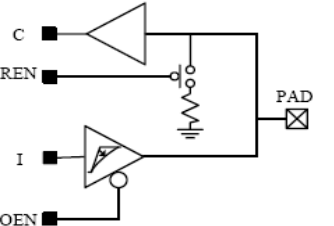
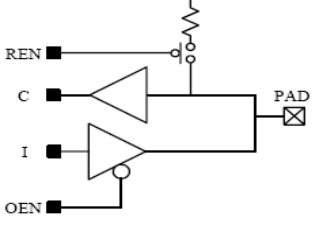
Interface	Pin Name	Direction	Description
SAR-ADC	SARADC_AIN[i] (i=0~3)	N/A	SAR-ADC input signal for 4 channel

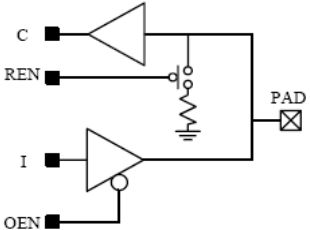
Interface	Pin Name	Direction	Description
eFuse	EFUSE_VQPS	N/A	eFuse program and sense power

2.4.1 RK2918 IO Type

The following list shows IO type except DDR IO and all of Power/Ground IO .

Table 2-5 RK2918 IO Type List

Type	Diagram	Description	Pin Name
A		Analog IO Cell with IO voltage	EFUSE_VQPS
B		Dedicated Power supply to Internal Macro with IO voltage	SARADC_AIN[3:0]
C		32.768KHz Crystal Oscillator IO with high enable	XIN32K/XOUT32K
D		Crystal Oscillator with high enable	XIN24M/XOUT24M XIN27M/XOUT27M
E		Tri-state output pad with input, limited slew rate and enable controlled pull-up	Part of digital GPIO
F		Tri-state output pad with input, limited slew rate and enable controlled pull-down	Part of digital GPIO
G		Tri-state output pad with input, and enable controlled pull-up	Part of digital GPIO

<p>H</p>		<p>Tri-state output pad with input, and enable controlled pull-down</p>	<p>Part of digital GPIO</p>
----------	---	---	-----------------------------

2.5 Package information

RK2908 package is TFBGA512
 (body: 16mm x 16mm ; ball size : 0.3mm ; ball pitch : 0.65mm)

2.5.1 Dimension

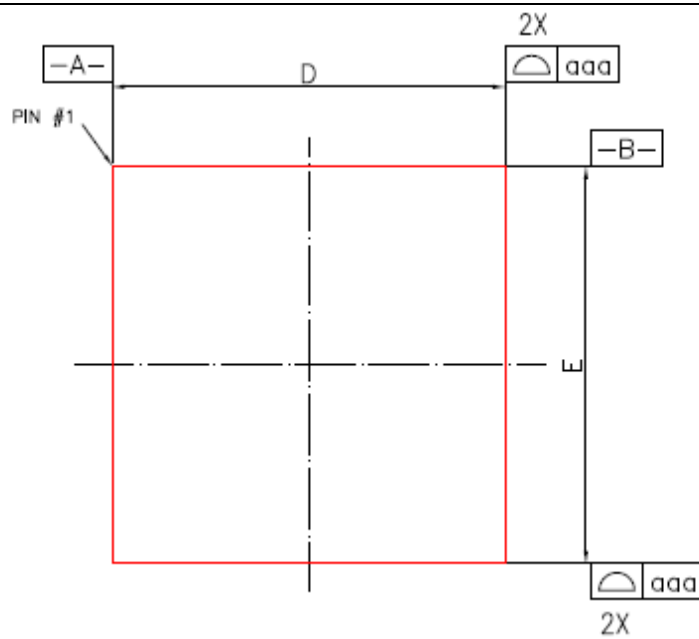


Fig. 2-2 RK2908 TFBGA512 Package Top View

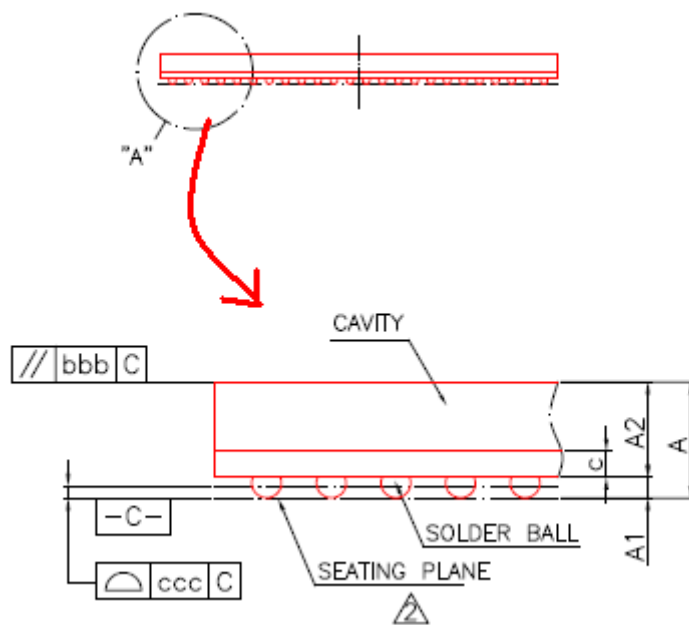


Fig. 2-3 RK2908 TFBGA512 Package Side View

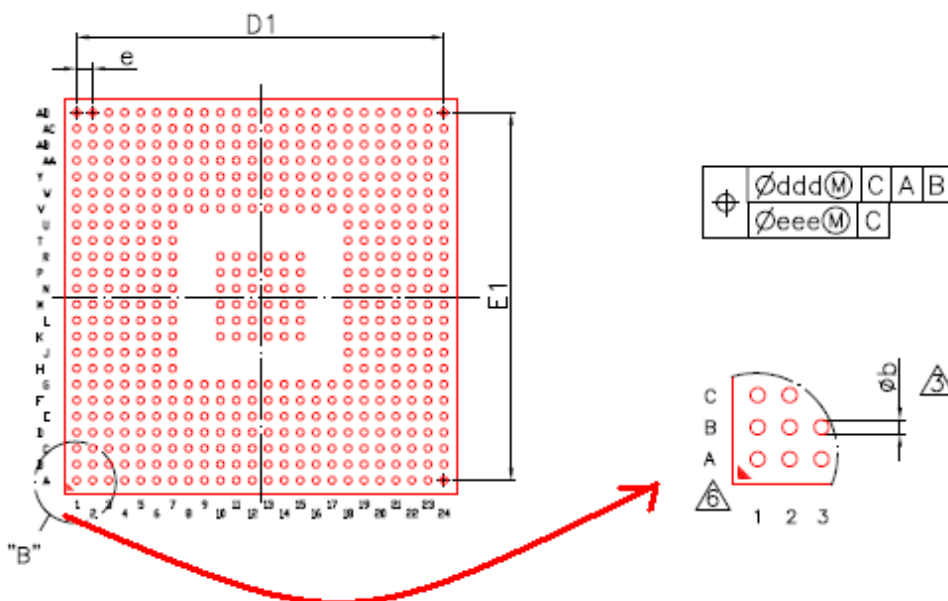


Fig. 2-4 RK2908 TFBGA512 Package Bottom View

Symbol	Dimension in mm			Dimension in inch		
	MIN	NOM	MAX	MIN	NOM	MAX
A	---	---	1.30	---	---	0.051
A1	0.16	0.21	0.26	0.006	0.008	0.010
A2	0.91	0.96	1.01	0.036	0.038	0.040
c	0.22	0.26	0.30	0.009	0.010	0.012
D	15.90	16.00	16.10	0.626	0.630	0.634
E	15.90	16.00	16.10	0.626	0.630	0.634
D1	---	14.95	---	---	0.589	---
E1	---	14.95	---	---	0.589	---
e	---	0.65	---	---	0.026	---
b	0.25	0.30	0.35	0.010	0.012	0.014
aaa		0.15			0.006	
bbb		0.20			0.008	
ccc		0.10			0.004	
ddd		0.15			0.006	
eee		0.08			0.003	
MD/ME		24/24			24/24	

Fig. 2-5 RK2908 TFBGA512 Package Dimension

Chapter 3 Electrical Specification

3.1 Absolute Maximum Ratings

Table 3-1 RK2918 absolute maximum ratings

Parameters	Related Power Group	Max	Unit
DC supply voltage for Internal digital logic	VDDCORE,VDDCORE_RTC, VDDCORE_EFUSE, OTG0_DVDD, OTG1_DVDD, DVDD_APLL, DVDD_DPLL, DVDD_CGPLL	1.32	V
DC supply voltage for Digital GPIO (except for SAR-ADC, PLL, USB, DDR IO)	VDDIO0~VDDIO6 VDDIO_LCD0, VDDIO_LCD1, VDDIO_VIP, VDDIO_SMC0, VDDIO_SMC1, VDDIO_FLASH0 , VDDIO_FLASH1, VDDIO_APO, VDDIO_AP1, VDDIO_UHOST, VDDIO_RTC, VDDIO_EFUSE	3.6	V
DC supply voltage for DDR IO	VDDIO_DDR0~VDDIO_DDR6	1.95	V
DC supply voltage for Analog part of SAR-ADC	VDDA_SARADC	2.75	V
DC supply voltage for Analog part of PLL	AHVDD_APLL	2.75	V
	AVDD_DPLL, AVDD_CGPLL	1.32	
DC supply voltage for Analog part of USB OTG/Host2.0	OTG0_VDD25,OTG1_VDD25	2.75	V
	OTG0_VDD33,OTG1_VDD33	3.63	
Analog Input voltage for SAR-ADC		2.75	V
Analog Input voltage for DP/DM/VBUS of USB OTG/Host2.0		5	V
Analog input voltage for RKELVIN/ID of USB OTG/Host2.0		2.75	V
Analog Input voltage for DP/DM of USB Host1.1		3.6	V
Digital input voltage for input buffer of GPIO		3.6	V
Digital output voltage for output buffer of GPIO		3.6	V
Storage Temperature		150	°C

Absolute maximum ratings specify the values beyond which the device may be damaged permanently. Long-term exposure to absolute maximum ratings conditions may affect device reliability.

3.2 Recommended Operating Conditions

Table 3-2 RK2918 recommended operating conditions

Parameters	Symbol [®]	Min	Typ	Max	Units
Internal digital logic Power (except USB OTG)	VDDCORE, VDDCORE_RTC, VDDCORE_EFUSE, DVDD_APLL, DVDD_DPLL, DVDD_CGPLL	1.08	1.2	1.32	V
USB Host1.1 IO Power	VDDIO_UHOST	3	3.3	3.6	V

Digital GPIO Power(3.3V)	VDDIO0~VDDIO6 VDDIO_SMC0, VDDIO_SMC1 VDDIO_EFUSE	3	3.3	3.6	V
Digital GPIO Power(3.3V/1.8V)	VDDIO_LCD0, VDDIO_LCD1 VDDIO_VIP, VDDIO_RTC VDDIO_FLASH0 , VDDIO_FLASH1 VDDIO_AP0, VDDIO_AP1	3 1.62	3.3 1.8	3.6 1.98	V
DDR IO (DDR II mode) Power	VDDIO_DDR0~VDDIO_DDR6	1.7	1.8	1.9	V
DDR IO (DDR III mode) Power	VDDIO_DDR0~VDDIO_DDR6	1.425	1.5	1.575	V
DDR IO (LPDDR mode) Power	VDDIO_DDR0~VDDIO_DDR6	1.65	1.8	1.95	V
DDR reference supply (VREF) Input	VREF0,VREF1,VREF2	0.49*VDDIO_DDR	0.5*VDDIO_DDR	0.51*VDDIO_DDR	V
DDR External termination voltage		$VREF_i - 40mV$ ($i=0\sim2$)	$VREF_i$ ($i=0\sim2$)	$VREF_i + 40mV$ ($i=0\sim2$)	V
PLL(1.6GHz) Analog Power	AHVDD_APLL	2.25	2.5	2.75	V
PLL(1.0GHz) Analog Power	AVDD_DPLL,AVDD_CGPLL	1.08	1.2	1.32	V
SAR-ADC Analog Power	VDDA_SARADC	2.25	2.5	2.75	V
USB OTG/Host2.0 Digital Power	OTG0_DVDD, OTG1_DVDD	1.116	1.2	1.32	V
USB OTG/Host2.0 Analog Power(2.5V)	OTG0_VDD25,OTG1_VDD25	2.325	2.5	2.75	V
USB OTG/Host2.0 Analog Power(3.3V)	OTG0_VDD33,OTG1_VDD33	3.069	3.3	3.63	V
USB OTG/Host2.0 external resistor	REXT	42.768	43.2	43.632	Ohm
PLL input clock frequency		N/A	24 27	N/A	MHz
Operating Temperature		-40	25	85	°C

Notes : [Ⓢ] Symbol name is same as the pin name in the io descriptions

3.3 DC Characteristics

Table 3-3 RK2918 DC Characteristics

Parameters		Symbol	Min	Typ	Max	Units
Digital GPIO @3.3V	Input Low Voltage	V_{il}	-0.3	0	0.8	V
	Input High Voltage	V_{ih}	2	3.3	3.6	V
	Output Low Voltage	V_{ol}	N/A	0	0.4	V
	Output High Voltage	V_{oh}	2.4	3.3	N/A	V
	Threshold Point	V_t	1.41	1.54	1.68	V
	Threshold Point with Pullup Resistor Enabled	V_{tpu}	1.4	1.52	1.67	V
	Threshold Point with Pulldown Resistor Enabled	V_{tpd}	1.42	1.55	1.69	V
	Pullup Resistor	R_{pu}	34	50	80	Kohm
	Pulldown Resistor	R_{pd}	35	51	84	Kohm
Digital GPIO @1.8V	Input Low Voltage	V_{il}	-0.3	0	0.63	V
	Input High Voltage	V_{ih}	1.17	1.8	3.6	V

	Output Low Voltage	V_{ol}	N/A	0	0.45	V
	Output High Voltage	V_{oh}	1.35	1.8	N/A	V
	Threshold Point	V_t	0.8	0.89	0.98	V
	Threshold Point with Pullup Resistor Enabled	V_{tpu}	0.79	0.88	0.97	V
	Threshold Point with Pulldown Resistor Enabled	V_{tpd}	0.8	0.89	0.98	V
	Pullup Resistor	R_{pu}	64	111	204	Kohm
	Pulldown Resistor	R_{pd}	60	106	202	Kohm
DDR IO @DDRIII mode	Input High Voltage	V_{ih_ddr}	$V_{REF} + 0.1$		V_{DDQ}	V
	Input Low Voltage	V_{il_ddr}	VSS-0.3		$V_{REF} - 0.1$	V
	Output High Voltage	V_{oh_ddr}	$0.8 * V_{DDQ}$			V
	Output Low Voltage	V_{ol_ddr}			$0.2 * V_{DDQ}$	V
	Input termination resistance(ODT) to VDDIO_DDRi/2 (i=0~6)	R_{tt}	100 54 36	120 60 40	140 66 44	Ohm
DDR IO @DDRII mode	Input High Voltage	V_{ih_ddr}	$V_{REF\ i} + 0.125$ (i=0~2)	1.8	$V_{DDIO_DDR\ i} + 0.3$ (i=0~6)	V
	Input Low Voltage	V_{il_ddr}	-0.3	0	$V_{REF\ i} - 0.125$ (i=0~2)	V
	Output High Voltage	V_{oh_ddr}	$V_{DDIO_DDR\ i} - 0.28$ (i=0~6)	1.8	N/A	V
	Output Low Voltage	V_{ol_ddr}	N/A	0	0.28	V
	Input termination resistance(ODT) to VDDIO_DDRi/2 (i=0~6)	R_{tt}	120 60 40	150 75 50	180 90 60	Ohm
DDR IO @LPDDR mode	Input High Voltage	V_{ih_ddr}	$0.7 * V_{DDIO_DDR\ i}$ (i=0~6)	1.8	N/A	V
	Input Low Voltage	V_{il_ddr}	N/A	0	$0.3 * V_{DDIO_DDR\ i}$ (i=0~6)	V
PLL	Input High Voltage	V_{ih_pll}	$0.8 * DV_{DD_i_PLL}$ (i=A,D,CG)	$DV_{DD_i_PLL}$ (i=A,D,CG)	$DV_{DD_i_PLL}$ (i=A,D,CG)	V
	Input Low Voltage	V_{il_pll}	0	0	$0.2 * DV_{DD_i_PLL}$ (i=A,D,CG)	V
USB Host1.1 IO	Input High Voltage	V_{ih_uhost}	2	3.3	N/A	V
	Input Low Voltage	V_{il_uhost}	N/A	0	0.8	V

3.4 Electrical Characteristics for General IO

Table 3-4 RK2918 Electrical Characteristics for Digital General IO

Parameters		Symbol	Test condition	Min	Typ	Max	Units
Digital	Input leakage current	I_i	$V_{in} = 3.3V$ or $0V$	-10	N/A	10	μA
GPIO @3.3V	Tri-state output leakage current	I_{oz}	$V_{out} = 3.3V$ or $0V$	-10	N/A	10	μA
	High level input current	I_{ih}	$V_{in} = 3.3V$, pulldown disabled	TBD	N/A	TBD	μA

			Vin = 3.3V, pulldown enabled	39	65	94	uA
	Low level input current	I _{il}	Vin = 0V, pullup disabled	TBD	N/A	TBD	uA
			Vin = 0V, pullup enabled	41	66	97	uA
Digital GPIO @1.8V	Input leakage current	I _i	Vin = 1.8V or 0V	-10	N/A	10	uA
	Tri-state output leakage current	I _{oz}	Vout = 1.8V or 0V	-10	N/A	10	uA
	High level input current	I _{ih}	Vin = 1.8V, pulldown disabled	TBD	N/A	TBD	uA
			Vin = 1.8V, pulldown enabled	9	17	30	uA
	Low level input current	I _{il}	Vin = 0V, pullup disabled	TBD	N/A	TBD	uA
			Vin = 0V, pullup enabled	8.8	16	28	uA

3.5 Electrical Characteristics for PLL

Table 3-5 RK2918 Electrical Characteristics for PLL

Parameters		Symbol	Test condition	Min	Typ	Max	Units
PLL(1.6G) ②	Input clock frequency	F _{in}	F _{in} = F _{ref} * NR ^① @2.5V/1.2V	10	24/27	400	MHz
	Comparison frequency	F _{ref}	F _{ref} = F _{in} /NR @2.5V/1.2V	10	N/A	50	MHz
	VCO operating range	F _{vco}	F _{vco} = F _{ref} * NF ^① @2.5V/1.2V	800	N/A	1600	MHz
	Output clock frequency	F _{out}	F _{out} = F _{vco} /NO ^① @2.5V/1.2V	100	N/A	1600	MHz
	Lock time	T _{lt}	@ 2.5V/1.2V	N/A	N/A	0.2	ms
	Power consumption (normal mode)	N/A	F _{in} = 50MHz, F _{out} = 1600MHz, @2.5V/1.2V, 25 °C	N/A	2.3	N/A	mW
	Power consumption (bypass mode)	N/A	BP=HIGH, PD= LOW, F _{in} = 50MHz, F _{out} = 50MHz, @2.5V/1.2V, 25 °C	N/A	85.6	N/A	uW
Power consumption (power-down mode)	N/A	PD=HIGH, @2.75V/1.32V, 125 °C	N/A	1.36	N/A	uW	
PLL(1.0G) ②	Input clock frequency	F _{in}	F _{in} = F _{ref} * NR ^① @1.2V	10	24/27	400	MHz
	Comparison frequency	F _{ref}	F _{ref} = F _{in} /NR @1.2V	10	N/A	50	MHz
	VCO operating range(high-band)	F _{vco}	F _{vco} = F _{ref} * NF ^① @1.2V	500	N/A	1000	MHz
	VCO operating range(low-band)			300	N/A	600	MHz
	Output clock frequency(high-band)	F _{out}	F _{out} = F _{vco} /NO ^① @1.2V	62.5	N/A	1000	MHz
	Output clock frequency(low-band)			37.5	N/A	600	MHz
	Lock time	T _{lt}	@ 1.2V	N/A	N/A	0.2	ms
	Power consumption (normal mode)	N/A	F _{in} = 50MHz, F _{out} = 1000MHz, High-band, @1.32V, 125 °C	N/A	1.46	N/A	mW
	Power consumption (bypass mode)	N/A	BP=HIGH, PD= LOW, F _{in} = 50MHz, F _{out} = 50MHz, @1.32V, 125 °C	N/A	13.38	N/A	uW
Power consumption (power-down mode)	N/A	PD=HIGH, @1.32V, 125 °C	N/A	1.41	N/A	uW	

- Notes : ①: NR is the input divider value;
 NF is the feedback divider value;
 NO is the output divider value
 ②: PLL(1.6G) is ARM PLL with AHVDD_APLL and DVDD_APLL power supply ;

PLL(1.0G) is DDR PLL/CODEC PLL/GENERAL PLL with AVDD_DPLL/AVDD_CGPLL and DVDD_DPLL/DVDD_CGPLL power supply

3.6 Electrical Characteristics for SAR-ADC

Table 3-6 RK2918 Electrical Characteristics for SAR-ADC

Parameters	Symbol	Test condition	Min	Typ	Max	Units
ADC resolution			N/A	10	N/A	Bits
Conversion speed	F_s	The duty cycle should be between 40%~60%	0.1	N/A	1	MSPS
Differential Non Linearity	DNL		N/A	± 1	N/A	LSB
Integral Non Linearity	INL		N/A	± 2	N/A	LSB
Gain Error	E_{gain}		-8	N/A	8	LSB
Offset Error	E_{offset}		-8	N/A	8	mV
Analog Supply Current(VDDA_SARADC)			N/A	250	N/A	μA
Input Voltage range	V_{in}		0		1.5	V
Digital Supply Current			N/A	20	N/A	μA
Power Down Current			N/A	1	N/A	μA
Power up time			N/A	7	N/A	$1/F_s$

3.7 Electrical Characteristics for USB OTG/Host2.0 Interface

Table 3-7 RK2918 Electrical Characteristics for USB OTG/Host2.0 Interface

Parameters		Test condition	Min	Typ	Max	Units
HS transmit, maximum transition density (all 0's data in DP/DM)	Current From OTG_DVDD	75°C , OTG0_VDD25 = OTG1_VDD25 = 2.5V, OTG0_VDD33 = OTG1_VDD33 = 3.3V, OTG0_DVDD = OTG1_DVDD = 1.2V , 15-cm USB cable attached to DP/DM	N/A	4.11	N/A	mA
	Current From OTG_VDD33		N/A	2.68	N/A	mA
	Current From OTG_VDD25		N/A	22.7	N/A	mA
HS transmit, minimum transition density (all 1's data in DP/DM)	Current From OTG_DVDD		N/A	3.98	N/A	mA
	Current From OTG_VDD33		N/A	2.64	N/A	mA
	Current From OTG_VDD25		N/A	15	N/A	mA
HS idle mode	Current From OTG_DVDD		N/A	6.22	N/A	mA
	Current From OTG_VDD33		N/A	2.67	N/A	mA
	Current From OTG_VDD25		N/A	5.99	N/A	mA
FS transmit, maximum transition density (all 0's data in DP/DM)	Current From OTG_DVDD	N/A	2.66	N/A	mA	
	Current From OTG_VDD33	N/A	16.4	N/A	mA	
	Current From OTG_VDD25	N/A	6.04	N/A	mA	
LS transmit, maximum transition density (all 0's data in DP/DM)	Current From OTG_DVDD	N/A	3.34	N/A	mA	
	Current From OTG_VDD33	N/A	15.3	N/A	mA	
	Current From OTG_VDD25	N/A	6.22	N/A	mA	
Suspend mode	Current From OTG_DVDD	N/A	1.83	N/A	μA	
	Current From OTG_VDD33	N/A	0.1	N/A	μA	
	Current From OTG_VDD25	N/A	15.2	N/A	μA	
Sleep mode	Current From OTG_DVDD	N/A	0.141	N/A	mA	
	Current From OTG_VDD33	N/A	0.1	N/A	μA	
	Current From OTG_VDD25	N/A	0.629	N/A	mA	

3.8 Electrical Characteristics for USB Host1.1 Interface

Table 3-8 RK2918 Electrical Characteristics for USB Host1.1 Interface

Parameters	Symbol	Test condition	Min	Typ	Max	Units
FS current (standby mode)			N/A	0.5	N/A	uA
FS current (input mode)			N/A	450	N/A	uA
FS current (output mode)			N/A	450	N/A	uA
Transceiver pad capacitance		Pad to ground	N/A	N/A	20	pF
Driver output resistance		steady state drive	N/A	10	N/A	Ohm

3.9 Electrical Characteristics for DDR IO

Table 3-9 RK2918 Electrical Characteristics for DDR IO

Parameters	Symbol	Test condition	Min	Typ	Max	Units
DDR IO @DDRII mode	VDDIO_DDR standby current, ODT OFF	@ 1.8V , 125°C	0	0	1.24	mA
	Input leakage current, SSTL mode, unterminated	@ 1.8V , 125°C	0	0	0.42	uA
DDR IO @LPDDR mode	Input leakage current	@ 1.8V , 125°C	3.23	57.965	435.1	nA
	VDD(1.2V) quiescent current	@ 1.2V , 125°C	0.01	0.01	3.51	uA
	VDDIO_DDR quiescent current	@ 1.8V , 125°C	0	0	1.15	uA

3.10 Electrical Characteristics for eFuse

Table 3-10 RK2918 Electrical Characteristics for eFuse

	Parameters	Symbol	Test condition	Min	Typ	Max	Units
Active mode	read current for VDDCORE_EFUSE(1.2V)	I_{load_vdd}	STROBE high	3.12	4.78	6.919	mA
	read current for VDDCORE_EFUSE(1.2V)	I_{active_vdd}	normal read 10MHz	1.88	2.791	4.016	mA
	read current for EFUSE_VQPS	I_{load_vqps}	STROBE high	0.004	0.014	0.365	uA
	read current for EFUSE_VQPS	I_{active_vqps}	normal read 10MHz	0.003	0.012	0.368	uA
standby mode	standby current for VDDCORE_EFUSE(1.2V)	$I_{standby_vdd}$		0.032	0.21	39.852	uA
	standby current for EFUSE_VQPS	$I_{standby_vqps}$		0.006	0.007	0.376	uA
power-down mode	power-down current for VDDCORE_EFUSE(1.2V)	I_{pd_vdd}		0.005	0.031	4.679	uA
	power-down current for EFUSE_VQPS	I_{pd_vqps}		0.006	0.008	0.396	uA

Chapter 4 Hardware Guideline

4.1 Reference design for RK2918 oscillator PCB connection

Totally RK2918 may use three oscillators. Their typical clock frequency is 24MHz, 27MHz and 32.768KHz . The two oscillators with 24MHz and 27MHz will provide input clock to four on-chip PLLs, it is software-programmable to select one input clock from oscillator to PLLs . Another oscillator with 32.768KHz is only for internal RTC logic.

- External reference circuit for oscillators with 24MHz and 27MHz input

In the following diagram , the value for Rf,Rd,C1,C2 must be adjusted a little to improve performance of oscillator based on real crystal model . Especially C1 and C2 value is advised to meet formula $(C1 * C2)/(C1+C2) = \sim 8pF$

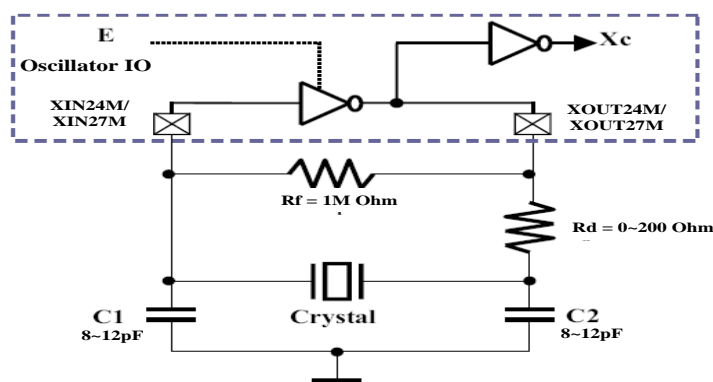


Fig. 4-1 External reference circuit for 24MHz/27MHz oscillators

- External reference circuit for oscillators with 32.768KHz input

In the following diagram , the value for C1,C2 must be adjusted a little for better performance of oscillator based on real crystal model , C1 and C2 connected to chip logic power supply is advised to fall within the range of 10pF and 30pF .

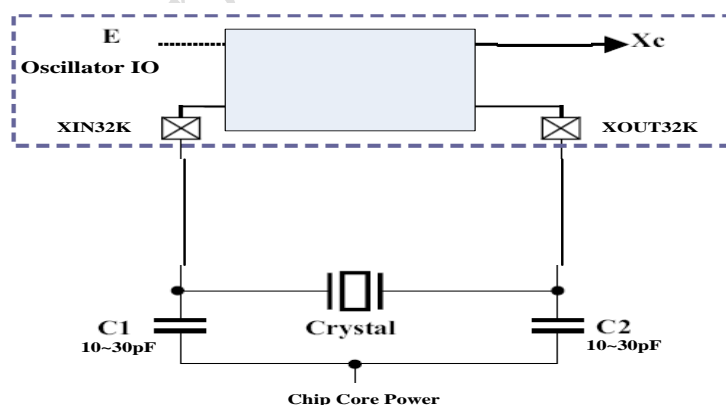


Fig. 4-2 External reference circuit for 32.768KHz oscillator

4.2 Reference design for PLL PCB connection

The following reference design is suitable for two types of PLL in RK2918, one is ARM PLL with 1.6GHz, another is three PLLs with 1.0GHz, the difference is that they have different value for C1/C2/C3/C4 components, since these values are related with PLL VCO maximum oscillating frequency(Fvco) .

For 1.6GHz PLL, the AVDD/AVSS is mapped to AHVDD_APLL/AHVSS_APLL , DVDD/DVSS is mapped to DVDD_APLL/DVSS_APLL ;

For 1.0GHz PLLs , the AVDD/AVSS is mapped to AVDD_DPLL/AVSS_DPLL and AVDD_CGPLL/ AVSS_CGPLL, DVDD/DVSS is mapped to DVDD_DPLL/DVSS_DPLL and

DVDD_CGPLL/DVSS_CGPLL.

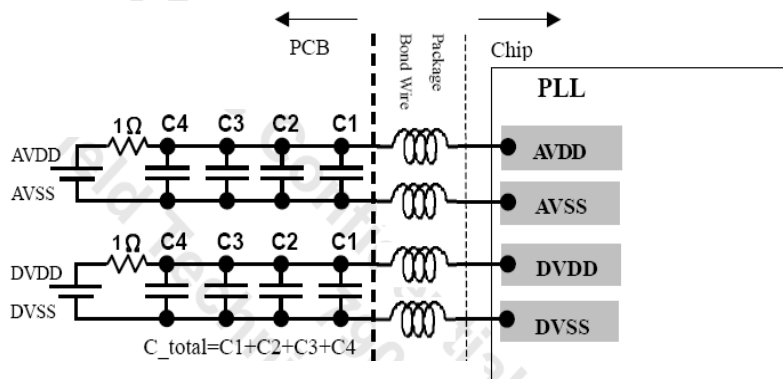


Fig. 4-3 External reference circuit for PLL

In the above circuit, 1 Ohm resistor of the filter is recommended for loading PLL current based on IR drop consideration. For capacitors C1/C2/C3/C4, SMD ceramic high-frequency capacitors are selected, and C1,C2,C3 must be chosen with the same series of product and dimension. Serial resonance frequency(SRF) of C1 is close to PLL Fvco (1.6GHz and 1.0GHz), after C1 value is decided, we can get C2/C3/C4 value based on the following formula:

$$C2 = 2 * C1$$

$$C3 = 2 * C2$$

$$C4 = C_total - (C1 + C2 + C3)$$

$$Fc_filter = 1 / (2 * \pi * R * C_total) < 100KHz$$

Another, please pay more attention to the following reminder:

- Total parasitic inductance, including of wire bond+PCB trace length, should be as small as possible by using shorter bonding wire and PCB trace.
- All capacitors should be placed as close to power and GNC pins as possible and shorten the current loop as short as possible.
- Use wide traces for power and ground paths. Keep adjacent digital signals and power traces away from AVDD/AVSS to avoid coupling noise.

4.3 Reference design for USB OTG/Host2.0 connection

In RK2918 there are USB OTG and USB Host2.0 interface, in fact, same interface is for them. The following diagram shows external reference design. Of course, for USB Host2.0 some signals can be removed based on different application.

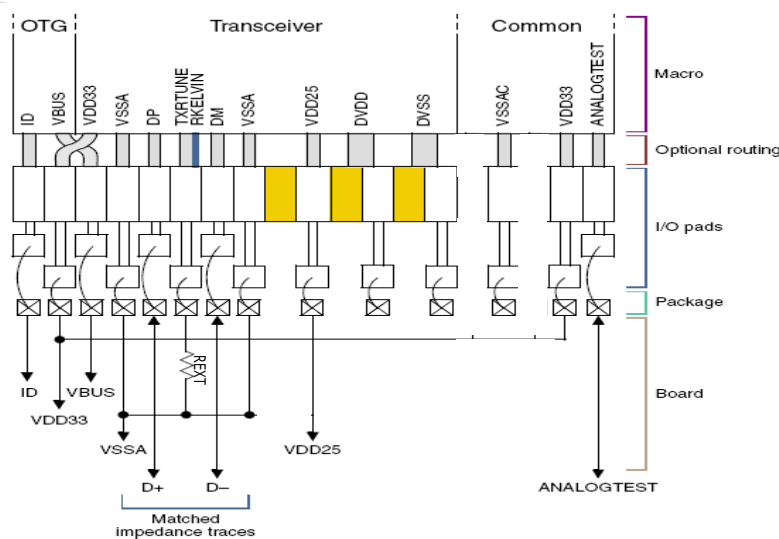


Fig. 4-4 RK2918 USB OTG/Host2.0 interface reference connection

4.4 RK2918 Power up/down sequence requirement

For all of the power supply in RK2918, there is no any specific requirement of power up/down sequence except power supply between core logic and DDRII/LPDDR IO or digital GPIO , between USB OTG/Host2.0 power supply .

- Power supply sequence for core logic(VDDCORE) and DDRII/LPDDR IO (VDDIO_DDRi) (i=0~6)

It is generally recommended that the VDDCORE and VDDIO_DDRi be powered-up together, and it is also acceptable for VDDCORE supply to power-up a very short time before the VDDIO_DDRi supply. If VDDIO_DDRi supply must power-up before the VDDCORE supply, it is advised to keep the time between these two events less than 100ms to limit excessive VDDIO_DDRi current draws.

- Power supply sequence for core logic(VDDCORE) and digital GPIO power[Ⓞ]

It is generally recommended that “turn on the higher GPIO voltage first and then the lower core voltage” so that the crowbar current would not occur on the power-up stage.

Also it is acceptable that “turn on the lower core voltage first and then higher GPIO voltage” only if the GPIO control pins are set to a fixed state. However, the ramp-up time for them can not be less than 10us.

There is no requirement on the power-down sequence for two above groups. Customers can decide which voltage to be down first based on the application need.

- Power supply sequence for USB OTG/Host2.0

Please follow the following sequence for power up and recommended ramp-up time is more than 10us

OTGi_DVDD (1.2V)->OTGi_VDD25 (2.5V)->OTGi_VDD33 (3.3V) (i=0,1)

For power down sequence , just reverse with power up sequence .

OTGi_VDD33 (3.3V)->OTGi_VDD25 (2.5V)->OTGi_DVDD (1.2V) (i=0,1)

Notes :[Ⓞ] digital GPIO power include VDDIOi (i=0~6) , VDDIO_VIP, VDDIO_RTC, VDDIO_EFUSE, VDDIO_UHOST , VDDIO_LCDCj, VDDIO_FLASHj, VDDIO_SMCj , VDDIO_APj (j=0~1) .

4.5 RK2918 Power on reset descriptions

The following figure shows power-on-reset sequence. External power-on-reset input signal NPOR is released after stabilization of oscillator input clock XIN24M or XIN27M . Internal signal sysrstn is generated after NPOR is filtered glitch , which can filter out 5 clock cycles(24MHz or 27MHz) for low pulse of NPOR, so 208ns or 185ns low pulse of NPOR will not be recognized as valid power-on-reset signal for RK2918.

To make PLLs work normally, the internal power down signal(pllpd) for PLLs must be high after power-on-reset, and maintains high level for more than 1us after sysrstn is deasserted. After pllpd is deasserted, PLLs will consume up to 200us to lock.

So the system will wait about 208us, then deactive internal reset signal chiprstn, which is used to control generation logic of all the clock inside CRU.

After 256 cycles or about 10.7us , rstn_pre for reset signal of all internal IPs will be deasserted , in other words, about 10.7us of clock has been generated before reset of every internal module is released.

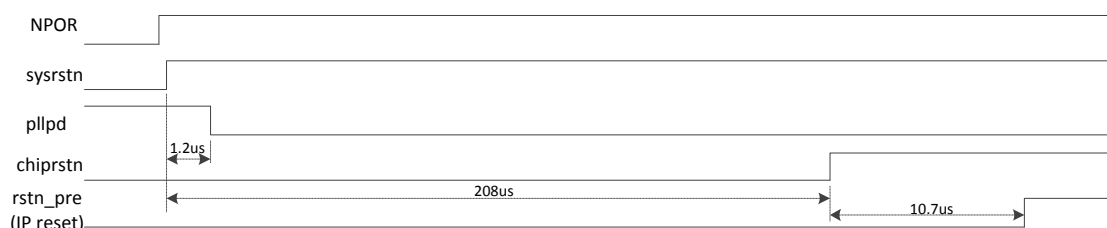


Fig. 4-5 RK2918 reset signals sequence