

780nm Low Power Lasers

RLD78MRA1

A long-run product with market-proved high reliability. Matching to various needs.

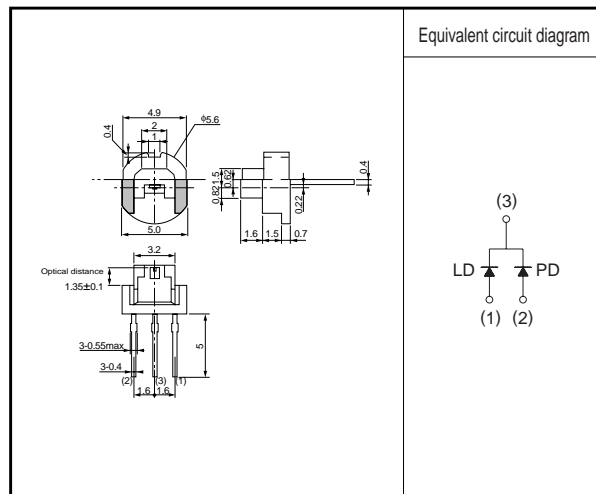
●Applications

CD-ROM
CD player
etc.

●Features

- 1) Optical power output : CW 4.5mW
- 2) Low noise
- 3) High precision $\phi 5.6$ metal stem

●Dimensions (Unit : mm)



●Absolute maximum ratings (T_c=25°C)

Parameter	Symbol	Limits	Unit
Output	P _o	4.5	mW
Reverse voltage	Laser	V _R	2
	Photodiode	V _R (PIN)	30
Operating temperature	T _{opr}	-10 to +70	°C
Storage temperature	T _{stg}	-40 to +85	°C

●Electrical and optical characteristics (T_c=25°C)

Parameter	Symbol	Min.	Typ.	Max.	Unit	Conditions
Threshold current	I _{th}	—	35	60	mA	—
Operating current	I _{op}	—	45	70	mA	P _o =3mW
Operating voltage	V _{op}	—	1.9	2.3	V	P _o =3mW
Differential efficiency	η	0.1	0.25	0.6	mW/mA	2mW/ (I (3mW) - I (1mW))
Monitor current	I _m	0.05	0.15	0.48	mA	P _o =3mW, V _R (PIN)=15V
Parallel divergence angle	θ _∥	8	11	15	deg	P _o =3mW
Perpendicular divergence angle	θ _⊥	20	37	45	deg	
Parallel deviation angle	Δθ _∥	-3	0	3	deg	
Perpendicular deviation angle	Δθ _⊥	-3.6	0	3.6	deg	
Emission point accuracy	ΔX, ΔY, ΔZ	-100	0	100	μm	—
Peak emission wavelength	λ	770	785	810	nm	P _o =3mW
Signal-to-Noise ratio	S/N	60	—	—	dB	f=720kHz, Δf=10kHz, P _o =3mW

RLD78MRA1

Laser Diodes

●Electrical and optical characteristics curves

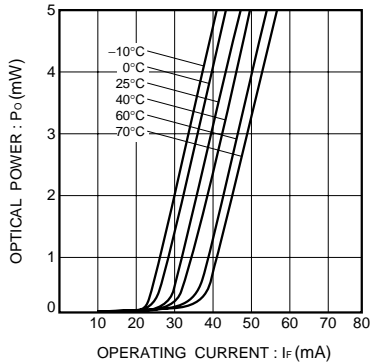


Fig.1 Optical output vs. operating current

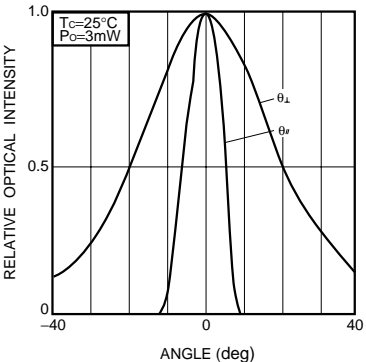


Fig.2 Far field pattern

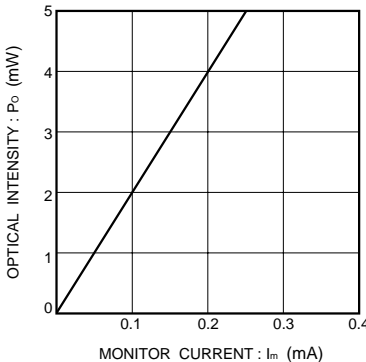


Fig.3 Monitor current vs. optical output

Appendix

Notes

- No technical content pages of this document may be reproduced in any form or transmitted by any means without prior permission of ROHM CO.,LTD.
- The contents described herein are subject to change without notice. The specifications for the product described in this document are for reference only. Upon actual use, therefore, please request that specifications to be separately delivered.
- Application circuit diagrams and circuit constants contained herein are shown as examples of standard use and operation. Please pay careful attention to the peripheral conditions when designing circuits and deciding upon circuit constants in the set.
- Any data, including, but not limited to application circuit diagrams information, described herein are intended only as illustrations of such devices and not as the specifications for such devices. ROHM CO.,LTD. disclaims any warranty that any use of such devices shall be free from infringement of any third party's intellectual property rights or other proprietary rights, and further, assumes no liability of whatsoever nature in the event of any such infringement, or arising from or connected with or related to the use of such devices.
- Upon the sale of any such devices, other than for buyer's right to use such devices itself, resell or otherwise dispose of the same, no express or implied right or license to practice or commercially exploit any intellectual property rights or other proprietary rights owned or controlled by
- ROHM CO., LTD. is granted to any such buyer.
- Products listed in this document are no antiradiation design.

The products listed in this document are designed to be used with ordinary electronic equipment or devices (such as audio visual equipment, office-automation equipment, communications devices, electrical appliances and electronic toys).

Should you intend to use these products with equipment or devices which require an extremely high level of reliability and the malfunction of which would directly endanger human life (such as medical instruments, transportation equipment, aerospace machinery, nuclear-reactor controllers, fuel controllers and other safety devices), please be sure to consult with our sales representative in advance.

It is our top priority to supply products with the utmost quality and reliability. However, there is always a chance of failure due to unexpected factors. Therefore, please take into account the derating characteristics and allow for sufficient safety features, such as extra margin, anti-flammability, and fail-safe measures when designing in order to prevent possible accidents that may result in bodily harm or fire caused by component failure. ROHM cannot be held responsible for any damages arising from the use of the products under conditions out of the range of the specifications or due to non-compliance with the NOTES specified in this catalog.

Thank you for your accessing to ROHM product informations.

More detail product informations and catalogs are available, please contact your nearest sales office.

ROHM Customer Support System

THE AMERICAS / EUROPE / ASIA / JAPAN

www.rohm.com

Contact us : webmaster@rohm.co.jp