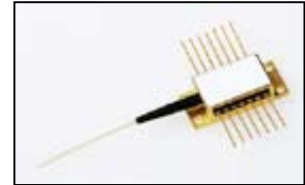




RLT780M-1WFC



TECHNICAL DATA

Multi-Mode 14-Pin Butterfly Laser Diode

Features

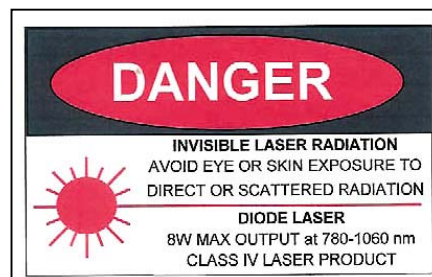
- Lasing Mode Structure: multi mode
- Peak Wavelength : typ. 785 nm
- Optical Output Power: 1000 mW
- Package: 14-Pin Butterfly, Thermistor, TEC
- Fiber: 100µm core diameter



Specifications (T_C=25°C)

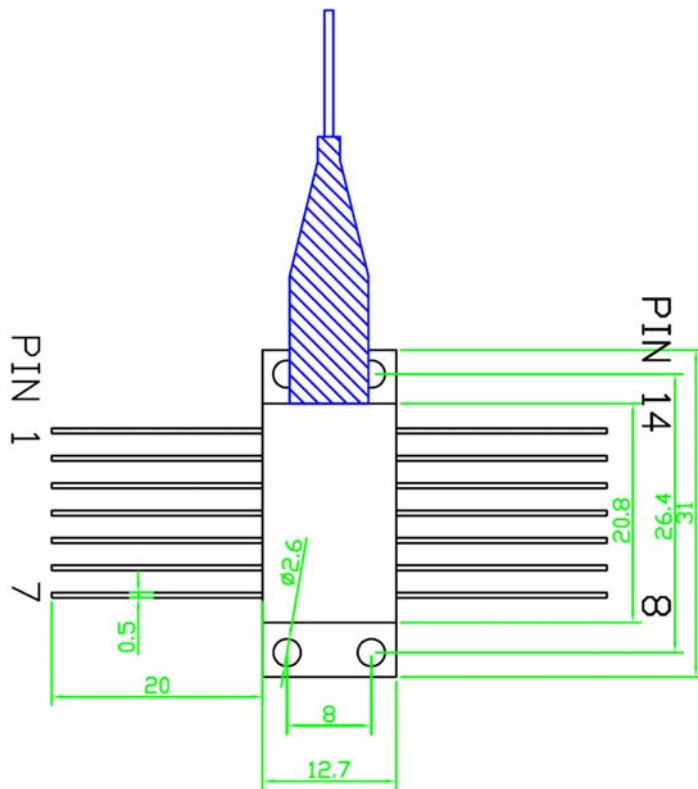
Item	Symbol	Min.	Typ.	Max.	Unit
Optical Specification					
Wavelength	λ_P	780	785	790	nm
Spectrum FWHM	$\Delta\lambda$	-	2	4	nm
Operating Power	P_o	-	1000	-	mW
Emitting Aperture	W x H		100 x 1		µm
Electrical Specification					
Operating Current	I_o	-	1.5	1.8	A
Threshold	I_{th}	-	0.4	0.7	A
Operating Voltage	V_o	-	2.1	2.5	V
Slope Efficiency	$\Delta P/\Delta I$	0.8	0.9		W/A
TEC Voltage		-	-	3.2	V
TEC Current		-	-	2.0	A
General Specification					
Lifetime		10.000			hours
Storage temperature		-40	-	80	°C
Operating Temperature		-20	25	70	°C
Lead Soldering Temp. (5 sec)		-	-	250	°C

The above specifications are for reference purpose only and subjected to change without prior notice.

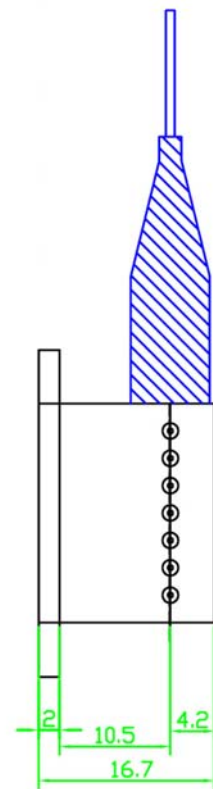




Package



TOP VIEW



SIDE VIEW

PIN OUT

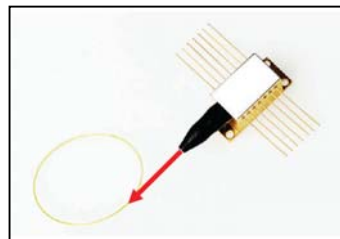
1 TEC(+)	14 TEC(-)
2 Thermistor	13 Case Ground
3 PD Anode	12 NC
4 PD Cathode	11 Laser Cathode(-)
5 Thermistor	10 Laser Anode(+)
6 NC	9 NC
7 NC	8 NC

UNIT: mm



Safety of Laser light

- Laser Light can damage the human eyes and skin. Do not expose the eye or skin directly to any laser light and/or through optical lens. When handling the LDs, wear appropriate safety glasses to prevent laser light, even any reflections from entering to the eye. Focused laser beam through optical instruments will increase the chance of eye hazard.
- **WARNING: Laserdiode is emitting invisible light**



Cautions

1. Operating methode

- This LD shall change its forward voltage requirement and optical output power according to temperature change. Also, the LD will require more operation current to maintain same output power as it degrades.
- Confirm that electrical spike current generated by switching on and off does not exceed the maximum operating current level specified herein above as absolute maximum rating. Also, employ appropriate countermeasures to reduce chattering and/or overshooting in the circuit.

2. Static Electricity

- Static electricity or electrical surges will reduce and degrade the reliability of the LDs. It is recommended to use a wrist trap or anti-electrostatic glove when handling the product.

3. Absolute Maximum Rating

- Active layer of LDs shall have high current density and generate high electric field during its operation. In order to prevent excessive damage, the LD must be operated strictly below absolute maximum rating.