

# RC4136, RM4136, RV4136 QUAD GENERAL-PURPOSE OPERATIONAL AMPLIFIERS

The RM4136 and RV4136 are obsolete and are no longer supplied.

SLOS072A – MARCH 1978 – REVISED JANUARY 2002

- Continuous Short-Circuit Protection
- Wide Common-Mode and Differential Voltage Ranges
- No Frequency Compensation Required
- Low Power Consumption
- No Latch-Up
- Unity-Gain Bandwidth . . . 3 MHz Typ
- Gain and Phase Match Between Amplifiers
- Designed To Be Interchangeable With Raytheon RC4136, RM4136, and RV4136
- Low Noise . . .  $8 \text{ nV}\sqrt{\text{Hz}}$  Typ at 1 kHz

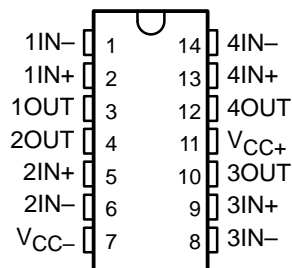
## description

The RC4136, RM4136, and RV4136 are quad general-purpose operational amplifiers, with each amplifier electrically similar to the  $\mu\text{A}741$ , except that offset null capability is not provided.

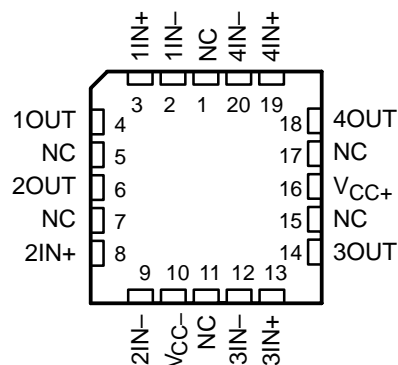
The high common-mode input voltage range and the absence of latch-up make these amplifiers ideal for voltage-follower applications. The devices are short-circuit protected and the internal frequency compensation ensures stability without external components.

The RC4136 is characterized for operation from  $0^\circ\text{C}$  to  $70^\circ\text{C}$ , the RM4136 is characterized for operation over the full military temperature range of  $-55^\circ\text{C}$  to  $125^\circ\text{C}$ , and the RV4136 is characterized for operation from  $-40^\circ\text{C}$  to  $85^\circ\text{C}$ .

RM4136 . . . J OR W PACKAGE  
ALL OTHERS . . . D OR N PACKAGE  
(TOP VIEW)

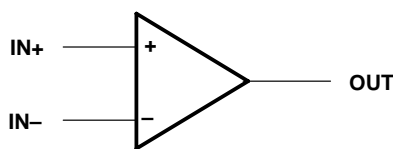


RM4136 . . . FK PACKAGE  
(TOP VIEW)



NC – No internal connection

## symbol (each amplifier)



## AVAILABLE OPTIONS

| T <sub>A</sub> | V <sub>IO</sub> MAX<br>AT 25°C | PACKAGE              |                      |                    |                    |             |
|----------------|--------------------------------|----------------------|----------------------|--------------------|--------------------|-------------|
|                |                                | SMALL OUTLINE<br>(D) | CHIP CARRIER<br>(FK) | CERAMIC DIP<br>(J) | PLASTIC DIP<br>(N) | FLAT<br>(W) |
| 0°C to 70°C    | 6 mV                           | RC4136D              | —                    | —                  | RC4136N            | —           |
| -40°C to 85°C  | 6 mV                           | RV4136D              | —                    | —                  | RV4136N            | —           |
| -55°C to 125°C | 4 mV                           | —                    | RM4136FK             | RM4136J            | —                  | RM4136W     |

The D packages are available taped and reeled. Add the suffix R to the device type (e.g., RC4136DR).



Please be aware that an important notice concerning availability, standard warranty, and use in critical applications of Texas Instruments semiconductor products and disclaimers thereto appears at the end of this data sheet.

PRODUCTION DATA information is current as of publication date. Products conform to specifications per the terms of Texas Instruments standard warranty. Production processing does not necessarily include testing of all parameters.

 **TEXAS  
INSTRUMENTS**

POST OFFICE BOX 655303 • DALLAS, TEXAS 75265

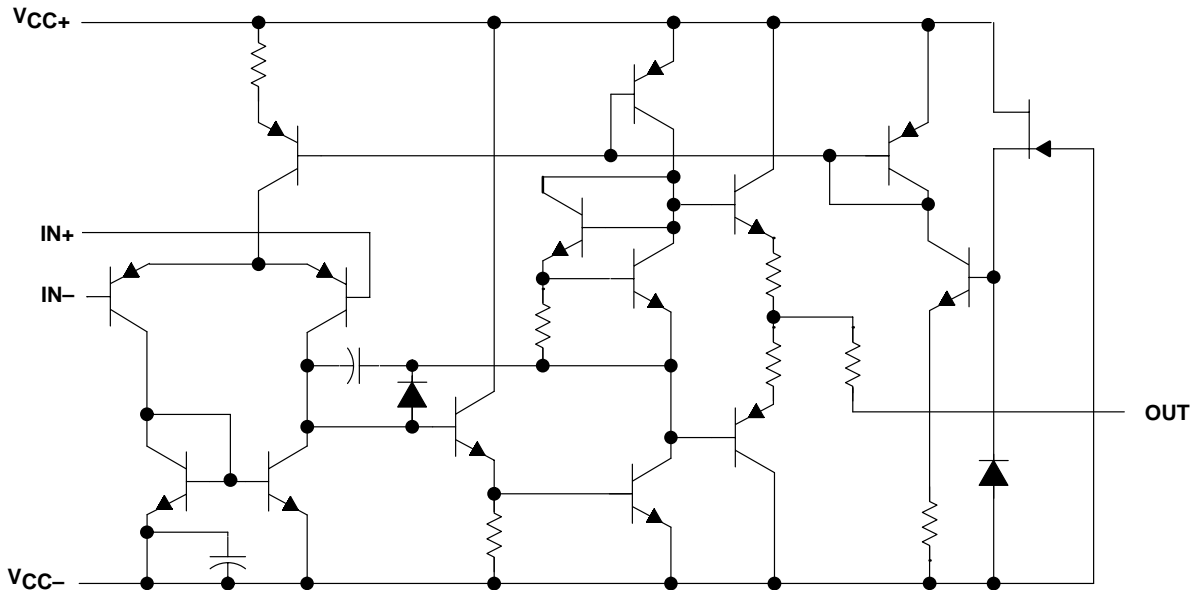
Copyright © 2002, Texas Instruments Incorporated  
On products compliant to MIL-PRF-38535, all parameters are tested unless otherwise noted. On all other products, production processing does not necessarily include testing of all parameters.

# RC4136, RM4136, RV4136 QUAD GENERAL-PURPOSE OPERATIONAL AMPLIFIERS

The RM4136 and RV4136 are  
obsolete and are no longer supplied.

SLOS072A – MARCH 1978 – REVISED JANUARY 2002

## schematic (each amplifier)



## absolute maximum ratings over operating free-air temperature range (unless otherwise noted)†

|  |                              |
|--|------------------------------|
| Supply voltage (see Note 1): $V_{CC+}$ , RC4136 and RV4136                       | 18 V                         |
| $V_{CC+}$ , RM4136   | 22 V                         |
| $V_{CC-}$ , RC4136 and RV4136  | -18 V                        |
| $V_{CC-}$ , RM4136   | -22 V                        |
| Differential input voltage, $V_{ID}$ (see Note 2)                                | $\pm 30$ V                   |
| Input voltage, $V_I$ (any input) (see Notes 1 and 3)                             | $\pm 15$ V                   |
| Duration of output short circuit to ground, one amplifier at a time (see Note 4) | Unlimited                    |
| Continuous total dissipation   | See Dissipation Rating Table |
| Package thermal impedance, $\theta_{JA}$ (see Note 5): D package                 | 86°C/W                       |
| N package  | 80°C/W                       |
| Case temperature for 60 seconds: FK package                                      | 260°C                        |
| Lead temperature 1,6 mm (1/16 inch) from case for 10 seconds: D or N package     | 260°C                        |
| Lead temperature 1,6 mm (1/16 inch) from case for 60 seconds: J or W package     | 300°C                        |
| Storage temperature range, $T_{stg}$   | -65°C to 150°C               |

† Stresses beyond those listed under "absolute maximum ratings" may cause permanent damage to the device. These are stress ratings only, and functional operation of the device at these or any other conditions beyond those indicated under "recommended operating conditions" is not implied. Exposure to absolute-maximum-rated conditions for extended periods may affect device reliability.

- NOTES:
1. All voltage values, unless otherwise noted, are with respect to the midpoint between  $V_{CC+}$  and  $V_{CC-}$ .
  2. Differential voltages are at  $IN+$  with respect to  $IN-$ .
  3. The magnitude of the input voltage must never exceed the magnitude of the supply voltage or 15 V, whichever is less.
  4. Temperature and/or supply voltages must be limited to ensure that the dissipation rating is not exceeded.
  5. The package thermal impedance is calculated in accordance with JESD 51-7.

DISSIPATION RATING TABLE

| PACKAGE | $T_A \leq 25^\circ\text{C}$<br>POWER RATING | DERATING<br>FACTOR | DERATE<br>ABOVE $T_A$ | $T_A = 70^\circ\text{C}$<br>POWER RATING | $T_A = 85^\circ\text{C}$<br>POWER RATING | $T_A = 125^\circ\text{C}$<br>POWER RATING |
|---------|---|--------------------|-----------------------|--|--|---|
| FK      | 800 mW                                      | 11.0 mW/°C         | 77°C                  | 800 mW                                   | 715 mW                                   | 275 mW                                    |
| J       | 800 mW                                      | 11.0 mW/°C         | 77°C                  | 800 mW                                   | 715 mW                                   | 275 mW                                    |
| W       | 800 mW                                      | 8.0 mW/°C          | 50°C                  | 640 mW                                   | 520 mW                                   | 200 mW                                    |



POST OFFICE BOX 655303 • DALLAS, TEXAS 75265

# RC4136, RM4136, RV4136 QUAD GENERAL-PURPOSE OPERATIONAL AMPLIFIERS

The RM4136 and RV4136 are  
obsolete and are no longer supplied.

SLOS072A – MARCH 1978 – REVISED JANUARY 2002

## recommended operating conditions

|           |                | MIN | MAX | UNIT |
|-----------|----------------|-----|-----|------|
| $V_{CC+}$ | Supply voltage | 5   | 15  | V    |
| $V_{CC-}$ | Supply voltage | -5  | -15 | V    |

## electrical characteristics at specified free-air temperature, $V_{CC+} = 15\text{ V}$ , $V_{CC-} = -15\text{ V}$

| PARAMETER  | TEST CONDITIONS†  | RC4136     |      |     | RM4136 |      |      | RV4136 |                       |     | UNIT |
|--|---|------------|------|-----|--------|------|------|--------|-----------------------|-----|------|
|  |   | MIN        | TYP  | MAX | MIN    | TYP  | MAX  | MIN    | TYP                   | MAX |      |
| $V_{IL}$ Input offset voltage  | $V_O = 0$   | 25°C       | 0.5  | 6   | 0.5    | 4    | 0.5  | 6      | mV                    |     |      |
|  |   | Full range |      | 7.5 |        | 6    |      | 7.5    |                       |     |      |
| $I_{IO}$ Input offset current  | $V_O = 0$   | 25°C       | 5    | 200 | 5      | 150  | 5    | 200    | nA                    |     |      |
|  |   | Full range |      | 300 |        | 500  |      | 500    |                       |     |      |
| $I_{IB}$ Input bias current  | $V_O = 0$   | 25°C       | 140  | 500 | 140    | 400  | 140  | 500    | nA                    |     |      |
|  |   | Full range |      | 800 |        | 1500 |      | 1500   |                       |     |      |
| $V_i$ Input voltage range  |   | 25°C       | ±12  | ±14 | ±12    | ±14  | ±12  | ±14    | V                     |     |      |
| $V_{OM}$ Maximum peak output voltage swing                             | $R_L = 10\text{ k}\Omega$   | 25°C       | ±12  | ±14 | ±12    | ±14  | ±12  | ±14    | V                     |     |      |
|  | $R_L = 2\text{ k}\Omega$  | 25°C       | ±10  | ±13 | ±10    | ±13  | ±10  | ±13    |                       |     |      |
|  | $R_L \geq 2\text{ k}\Omega$   | Full range | ±10  |     | ±10    |      | ±10  |        |                       |     |      |
| $A_{VD}$ Large-signal differential voltage amplification               | $V_O = \pm 10\text{ V}$ ,<br>$R_L \geq 2\text{ k}\Omega$            | 25°C       | 20   | 300 | 50     | 350  | 20   | 300    | V/mV                  |     |      |
|  |   | Full range | 15   |     | 25     |      | 15   |        |                       |     |      |
| $B_1$ Unity-gain bandwidth   |   | 25°C       |      | 3   |        | 3.5  |      | 3      | MHz                   |     |      |
| $r_i$ Input resistance   |   | 25°C       | 0.3* | 5   | 0.3*   | 5    | 0.3* | 5      | MΩ                    |     |      |
| CMRR Common-mode rejection ratio                                       | $V_O = 0$ , $R_S = 50\ \Omega$                                      | 25°C       | 70   | 90  | 70     | 90   | 70   | 90     | dB                    |     |      |
| $k_{SVS}$ Supply-voltage sensitivity ( $\Delta V_{IO}/\Delta V_{CC}$ ) | $V_{CC} = \pm 9\text{ V to } \pm 15\text{ V}$ ,<br>$V_O = 0$        | 25°C       |      | 30  | 150    |      | 30   | 150    | μV/V                  |     |      |
| $V_n$ Equivalent input noise voltage (closed loop)                     | $A_{VD} = 100$ ,<br>BW = 1 Hz,<br>f = 1 kHz,<br>$R_S = 100\ \Omega$ | 25°C       |      | 8   |        | 8    |      | 8      | nV $\sqrt{\text{Hz}}$ |     |      |
| $I_{CC}$ Supply current (all four amplifiers)                          | $V_O = 0$ , No load   | 25°C       |      | 5   | 11.3   |      | 5    | 11.3   | mA                    |     |      |
|  |   | MIN $T_A$  |      | 6   | 13.7   |      | 6    | 13.7   |                       |     |      |
|  |   | MAX $T_A$  |      | 4.5 | 10     |      | 4.5  | 10     |                       |     |      |
| $P_D$ Total power dissipation (all four amplifiers)                    | $V_O = 0$ , No load   | 25°C       |      | 150 | 340    |      | 150  | 340    | mW                    |     |      |
|  |   | MIN $T_A$  |      | 180 | 400    |      | 180  | 400    |                       |     |      |
|  |   | MAX $T_A$  |      | 135 | 300    |      | 135  | 300    |                       |     |      |
| Crosstalk attenuation ( $V_{O1}/V_{O2}$ )                              | $A_{VD} = 100$ ,<br>f = 10 kHz,<br>$R_S = 1\text{ k}\Omega$         | 25°C       |      | 105 |        | 105  |      | 105    | dB                    |     |      |

\* This parameter is not production tested.

† All characteristics are measured under open-loop conditions with zero common-mode input voltage, unless otherwise specified. Full range is 0°C to 70°C for RC4136, -55°C to 125°C for RM4136, and -40°C to 85°C for RV4136. Minimum  $T_A$  is 0°C for RC4136, -55°C for RM4136, and -40°C for RV4136. Maximum  $T_A$  is 70°C for RC4136, 125°C for RM4136, and 85°C for RV4136.



# RC4136, RM4136, RV4136 QUAD GENERAL-PURPOSE OPERATIONAL AMPLIFIERS

The RM4136 and RV4136 are  
obsolete and are no longer supplied.

SLOS072A – MARCH 1978 – REVISED JANUARY 2002

operating characteristics,  $V_{CC+} = 15\text{ V}$ ,  $V_{CC-} = -15\text{ V}$ ,  $T_A = 25^\circ\text{C}$

| PARAMETER |                         | TEST CONDITIONS   | TYP  | UNIT                   |
|-----------|-------------------------|---|------|------------------------|
| $t_r$     | Rise time               | $V_I = 20\text{ mV}$ , $C_L = 100\text{ pF}$ , $R_L = 2\text{ k}\Omega$ | 0.13 | $\mu\text{s}$          |
|           | Overshoot factor        | $V_I = 20\text{ mV}$ , $C_L = 100\text{ pF}$ , $R_L = 2\text{ k}\Omega$ | 5    | %                      |
| SR        | Slew rate at unity gain | $V_I = 10\text{ V}$ , $C_L = 100\text{ pF}$ , $R_L = 2\text{ k}\Omega$  | 1.7  | $\text{V}/\mu\text{s}$ |



POST OFFICE BOX 655303 • DALLAS, TEXAS 75265

**PACKAGING INFORMATION**

| Orderable Device | Status<br>(1) | Package Type | Package Drawing | Pins | Package Qty | Eco Plan<br>(2)         | Lead/Ball Finish<br>(6) | MSL Peak Temp<br>(3) | Op Temp (°C) | Device Marking<br>(4/5) | Samples                 |
|------------------|---------------|--------------|-----------------|------|-------------|-------------------------|-------------------------|----------------------|--------------|-------------------------|-------------------------|
| RC4136N          | ACTIVE        | PDIP         | N               | 14   | 25          | Green (RoHS & no Sb/Br) | NIPDAU                  | N / A for Pkg Type   | 0 to 70      | RC4136N                 | <a href="#">Samples</a> |
| RC4136NE4        | ACTIVE        | PDIP         | N               | 14   | 25          | Green (RoHS & no Sb/Br) | NIPDAU                  | N / A for Pkg Type   | 0 to 70      | RC4136N                 | <a href="#">Samples</a> |

(1) The marketing status values are defined as follows:

**ACTIVE:** Product device recommended for new designs.

**LIFEBUY:** TI has announced that the device will be discontinued, and a lifetime-buy period is in effect.

**NRND:** Not recommended for new designs. Device is in production to support existing customers, but TI does not recommend using this part in a new design.

**PREVIEW:** Device has been announced but is not in production. Samples may or may not be available.

**OBSOLETE:** TI has discontinued the production of the device.

(2) **RoHS:** TI defines "RoHS" to mean semiconductor products that are compliant with the current EU RoHS requirements for all 10 RoHS substances, including the requirement that RoHS substance do not exceed 0.1% by weight in homogeneous materials. Where designed to be soldered at high temperatures, "RoHS" products are suitable for use in specified lead-free processes. TI may reference these types of products as "Pb-Free".

**RoHS Exempt:** TI defines "RoHS Exempt" to mean products that contain lead but are compliant with EU RoHS pursuant to a specific EU RoHS exemption.

**Green:** TI defines "Green" to mean the content of Chlorine (Cl) and Bromine (Br) based flame retardants meet JS709B low halogen requirements of <=1000ppm threshold. Antimony trioxide based flame retardants must also meet the <=1000ppm threshold requirement.

(3) MSL, Peak Temp. - The Moisture Sensitivity Level rating according to the JEDEC industry standard classifications, and peak solder temperature.

(4) There may be additional marking, which relates to the logo, the lot trace code information, or the environmental category on the device.

(5) Multiple Device Markings will be inside parentheses. Only one Device Marking contained in parentheses and separated by a "-" will appear on a device. If a line is indented then it is a continuation of the previous line and the two combined represent the entire Device Marking for that device.

(6) Lead/Ball Finish - Orderable Devices may have multiple material finish options. Finish options are separated by a vertical ruled line. Lead/Ball Finish values may wrap to two lines if the finish value exceeds the maximum column width.

**Important Information and Disclaimer:**The information provided on this page represents TI's knowledge and belief as of the date that it is provided. TI bases its knowledge and belief on information provided by third parties, and makes no representation or warranty as to the accuracy of such information. Efforts are underway to better integrate information from third parties. TI has taken and continues to take reasonable steps to provide representative and accurate information but may not have conducted destructive testing or chemical analysis on incoming materials and chemicals. TI and TI suppliers consider certain information to be proprietary, and thus CAS numbers and other limited information may not be available for release.

In no event shall TI's liability arising out of such information exceed the total purchase price of the TI part(s) at issue in this document sold by TI to Customer on an annual basis.



N (R-PDIP-T\*\*)

PLASTIC DUAL-IN-LINE PACKAGE

16 PINS SHOWN



- NOTES:
- A. All linear dimensions are in inches (millimeters).
  - B. This drawing is subject to change without notice.
  - Falls within JEDEC MS-001, except 18 and 20 pin minimum body length (Dim A).
  - The 20 pin end lead shoulder width is a vendor option, either half or full width.

## IMPORTANT NOTICE AND DISCLAIMER

TI PROVIDES TECHNICAL AND RELIABILITY DATA (INCLUDING DATASHEETS), DESIGN RESOURCES (INCLUDING REFERENCE DESIGNS), APPLICATION OR OTHER DESIGN ADVICE, WEB TOOLS, SAFETY INFORMATION, AND OTHER RESOURCES "AS IS" AND WITH ALL FAULTS, AND DISCLAIMS ALL WARRANTIES, EXPRESS AND IMPLIED, INCLUDING WITHOUT LIMITATION ANY IMPLIED WARRANTIES OF MERCHANTABILITY, FITNESS FOR A PARTICULAR PURPOSE OR NON-INFRINGEMENT OF THIRD PARTY INTELLECTUAL PROPERTY RIGHTS.

These resources are intended for skilled developers designing with TI products. You are solely responsible for (1) selecting the appropriate TI products for your application, (2) designing, validating and testing your application, and (3) ensuring your application meets applicable standards, and any other safety, security, or other requirements. These resources are subject to change without notice. TI grants you permission to use these resources only for development of an application that uses the TI products described in the resource. Other reproduction and display of these resources is prohibited. No license is granted to any other TI intellectual property right or to any third party intellectual property right. TI disclaims responsibility for, and you will fully indemnify TI and its representatives against, any claims, damages, costs, losses, and liabilities arising out of your use of these resources.

TI's products are provided subject to TI's Terms of Sale ([www.ti.com/legal/termsofsale.html](http://www.ti.com/legal/termsofsale.html)) or other applicable terms available either on [ti.com](http://ti.com) or provided in conjunction with such TI products. TI's provision of these resources does not expand or otherwise alter TI's applicable warranties or warranty disclaimers for TI products.

Mailing Address: Texas Instruments, Post Office Box 655303, Dallas, Texas 75265  
Copyright © 2020, Texas Instruments Incorporated