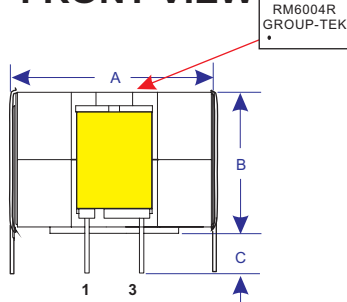
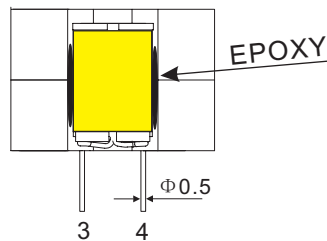


1. Mechanical Dimensions:

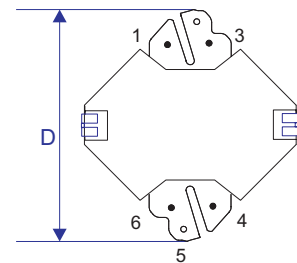
FRONT VIEW



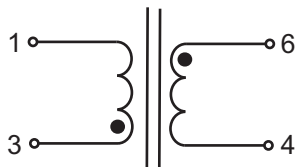
SIDE VIEW



BOTTOM VIEW



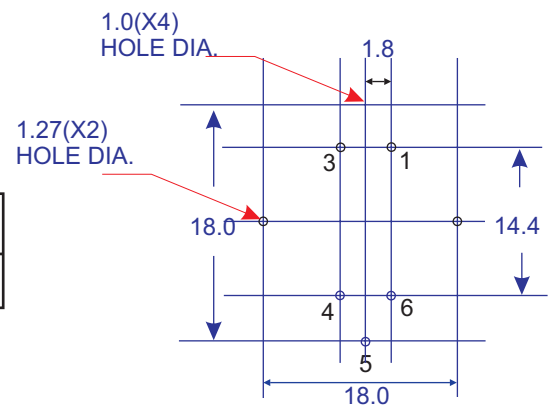
2. Schematic:



Unit: mm

A MAX	B MAX	C +/-0.5	D MAX
21.0	14.5	3.5	22.5

PCB LAYOUT



3. Electrical Characteristics :

Specifications: at 25°C . Operating Temperature -40 to +85°C

NO.	ITEM	TEST CONDITION	SPECIFICATION
1	Inductance	(3-1)=(6-4)@10kHz, 0.1Vac	4.0mH Min
2	Leakage Inductance	(3-1)@100kHz, 0.1Vacshorted other (6-4)	10.0 uH Max
3	DCR	(3-1)@25°C	500mΩ Max
4	DCR	(6-4)@25°C	550 mΩ Max
5	HI-POT	(3-1)TO(6-4)	650Vac,1mA,2SEC