

RM8 SERIES POWER TRANSFORMER MODULES

PRODUCT OVERVIEW:THT POWER TRANSFORMERS

Characteristics

High insulation type High efficiency
IEC60950 Compatible
Operating temperature range:-40°C to +85°C

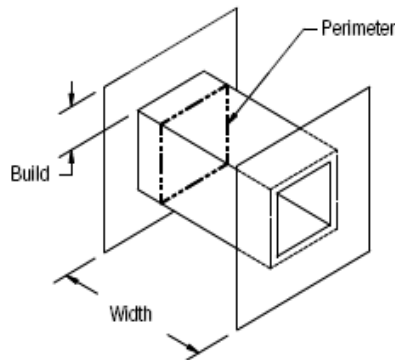
Applications

Lighting White Goods
metering Telecom
industrial Controls DC/DC Converter
CMC



Bobbin Winding Area

Width(mm)	Build(mm)	Perimeter(mm)
9.14	3.4	30.89



CORE DATA

Ae (mm ²)	Ve (mm ³)	Le (mm)
52	1825.2	35.1

POWER LEVEL (W)

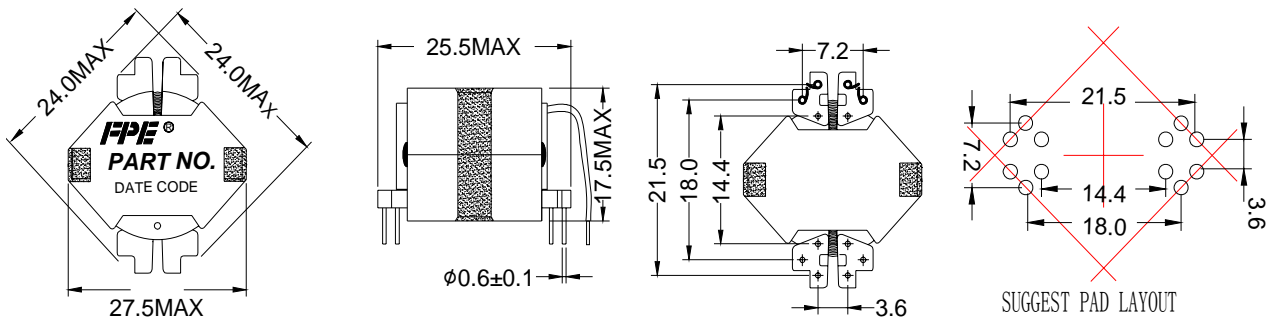
Flyback	Forward	Push-pull
20	30	60

Test frequency:100KHz

THT Vertical

Dimensions & Footprint

TYPE 1



TYPE 2

