

RQA0008RXDQS

Silicon N-Channel MOS FET

REJ03G1326-0100

Rev.1.00

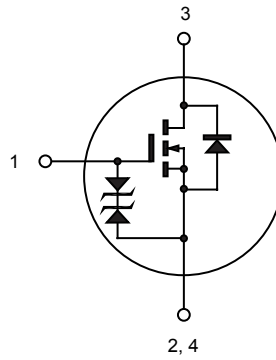
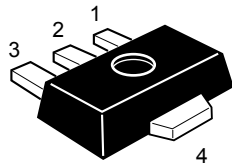
Oct 16, 2006

Features

- High Output Power, High Gain, High Efficiency
Pout = +36 dBm, Linear Gain = 18 dB, PAE = 65% (f = 520 MHz)
- Compact package capable of surface mounting

Outline

RENESAS Package code: PLZZ0004CA-A
(Package Name : UPAK®)



1. Gate
2. Source
3. Drain
4. Source

Note: Marking is "RX".

*UPAK is a trademark of Renesas Technology Corp.

Absolute Maximum Ratings

(Ta = 25°C)

Item	Symbol	Ratings	Unit
Drain to source voltage	V_{DSS}	16	V
Gate to source voltage	V_{GSS}	±5	V
Drain current	I_D	2.4	A
Channel dissipation	P_{ch}^{note1}	10	W
Channel temperature	T_{ch}	150	°C
Storage temperature	T_{stg}	-55 to +150	°C

Note1: Value at $T_c = 25^\circ\text{C}$

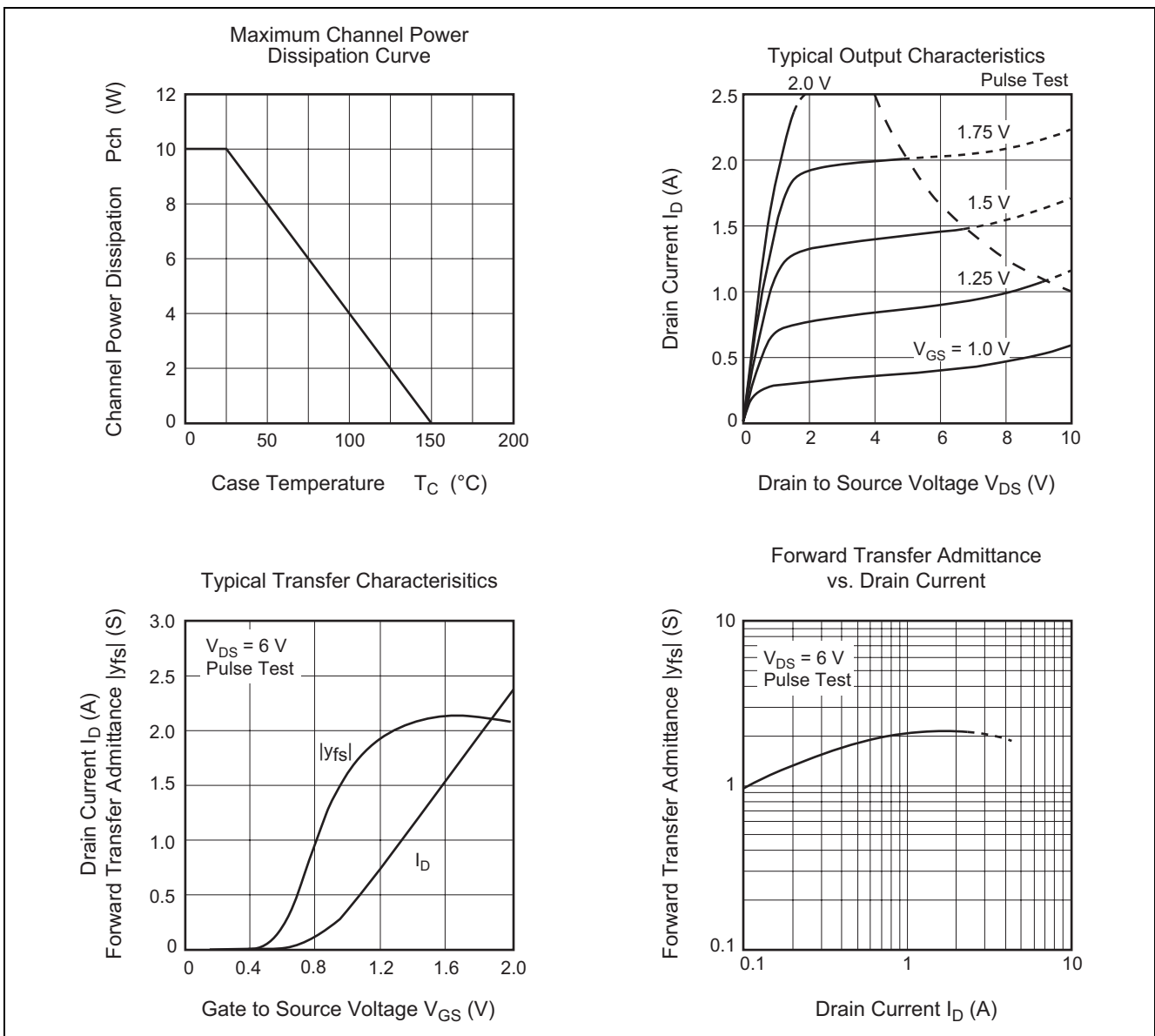
This Device is sensitive to Electro Static Discharge. An Adequate careful handling procedure is requested.

Electrical Characteristics

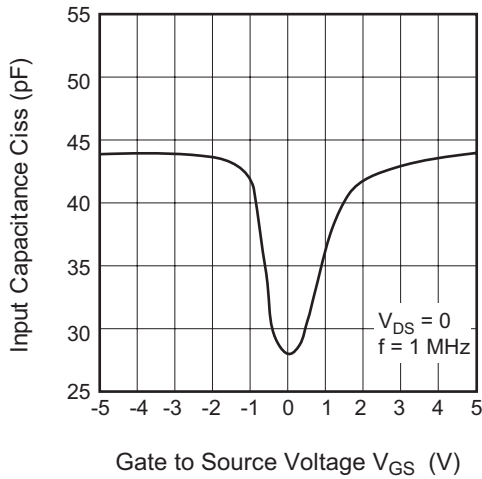
(Ta = 25°C)

Item	Symbol	Min.	Typ	Max.	Unit	Test Conditions
Zero gate voltage drain current	I_{DSS}	—	—	10	μA	$V_{DS} = 16 V, V_{GS} = 0$
Gate to source leak current	I_{GSS}	—	—	± 2	μA	$V_{GS} = \pm 5 V, V_{DS} = 0$
Gate to source cutoff voltage	$V_{GS(off)}$	0.15	0.4	0.8	V	$V_{DS} = 6 V, I_D = 1 mA$
Forward Transfer Admittance	$ y_{fs} $	1.7	2.4	3.1	S	$V_{DS} = 6 V, I_D = 1.2 A$
Input capacitance	C_{iss}	—	44	—	pF	$V_{GS} = 5 V, V_{DS} = 0, f = 1 MHz$
Output capacitance	C_{oss}	—	25	—	pF	$V_{DS} = 6 V, V_{GS} = 0, f = 1 MHz$
Reverse transfer capacitance	C_{rss}	—	6.0	—	pF	$V_{DG} = 6 V, V_{GS} = 0, f = 1 MHz$
Output Power	Pout	35	36	—	dBm	$V_{DS} = 6 V, I_{DQ} = 400 mA$
		3.16	3.98	—	W	$f = 520 MHz,$
Power Added Efficiency	PAE	50	65	—	%	Pin = +20 dBm (100mW)

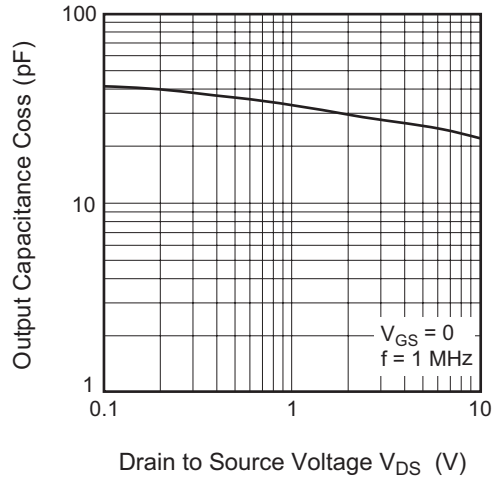
Main Characteristics



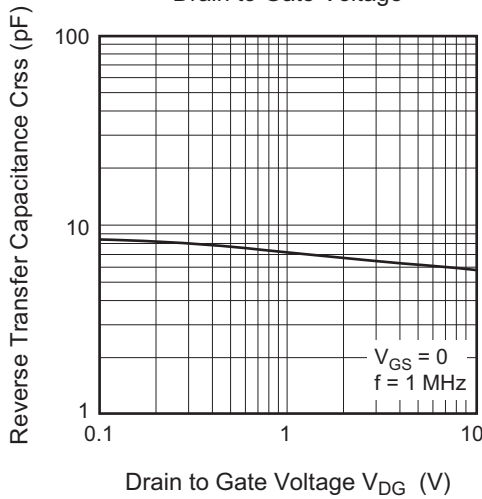
Input Capacitance vs. Gate to Source Voltage



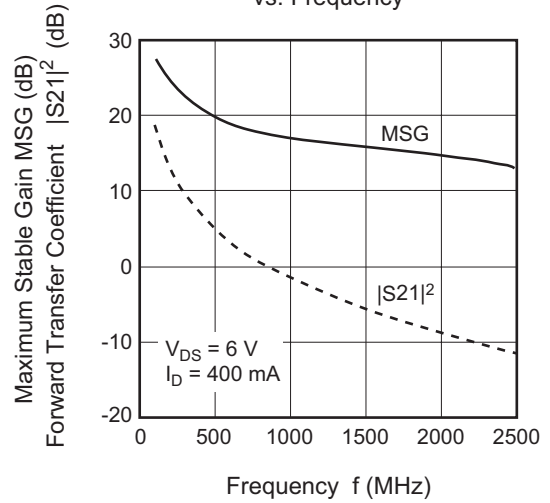
Output Capacitance vs. Drain to Source Voltage



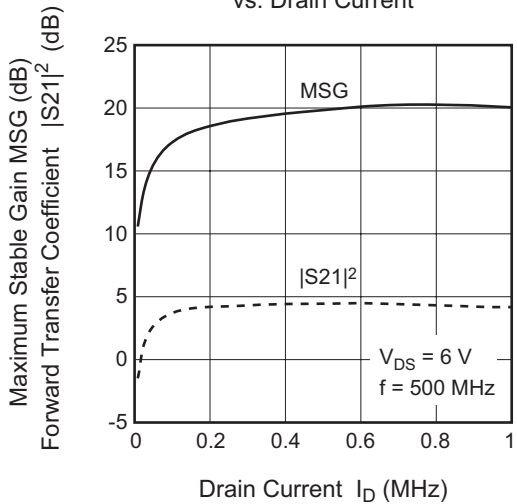
Reverse Transfer Capacitance vs. Drain to Gate Voltage



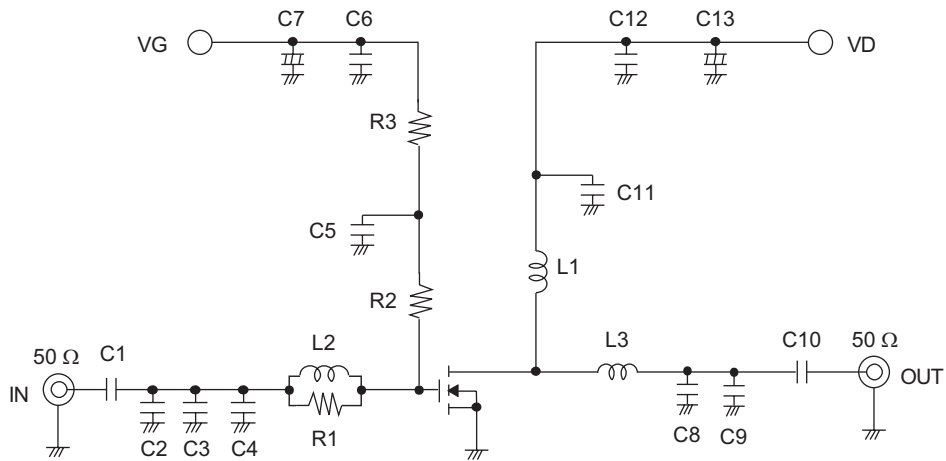
Maximum Stable Gain, $|S_{21}|^2$ vs. Frequency



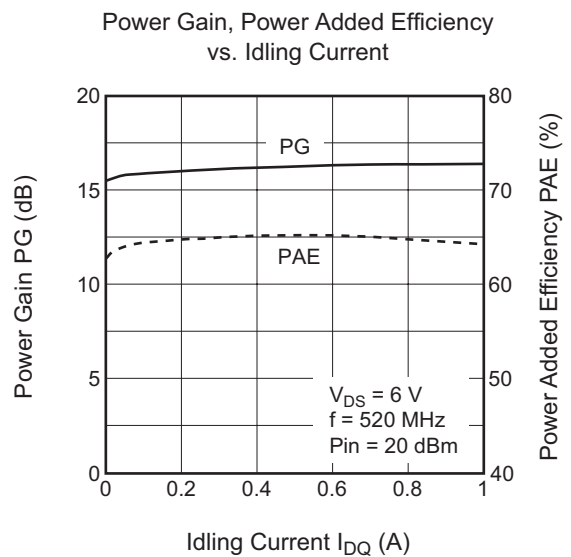
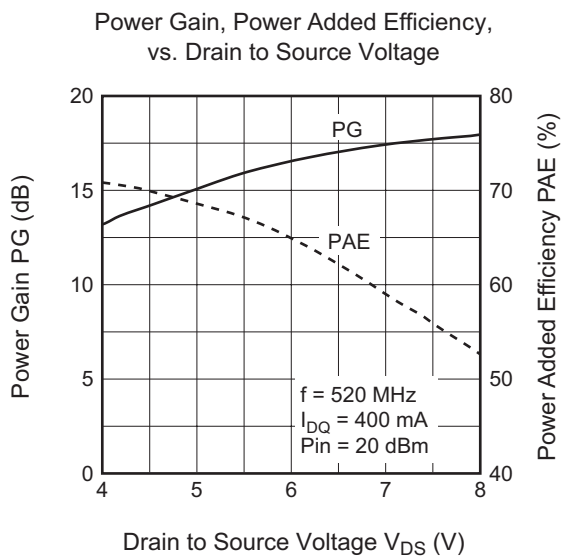
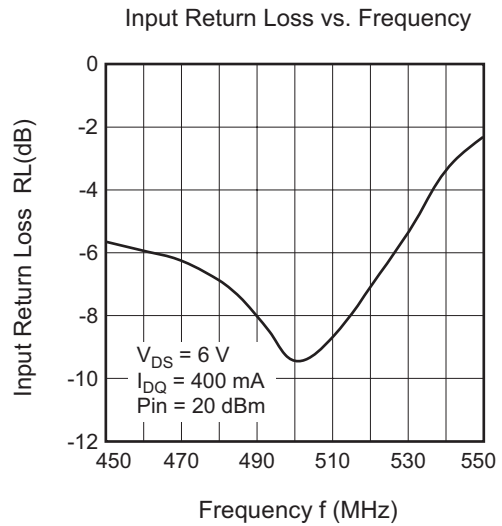
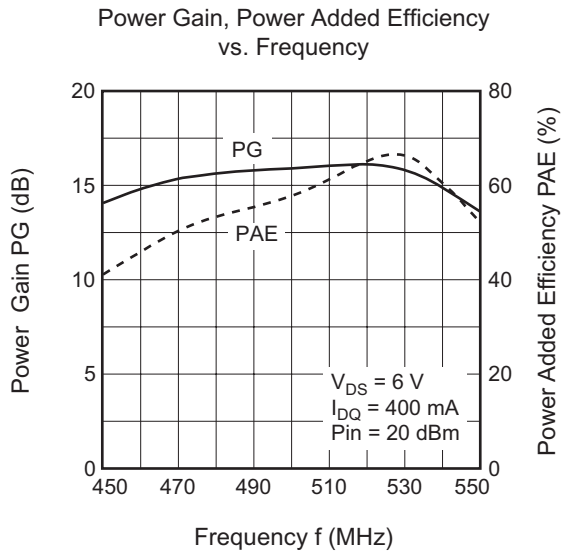
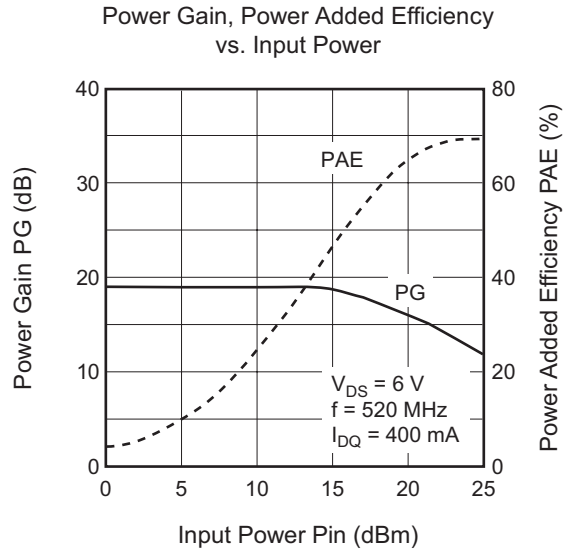
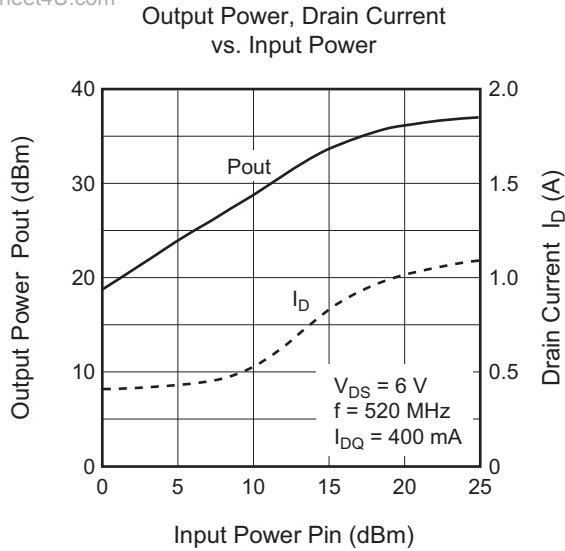
Maximum Stable Gain, $|S_{21}|^2$ vs. Drain Current



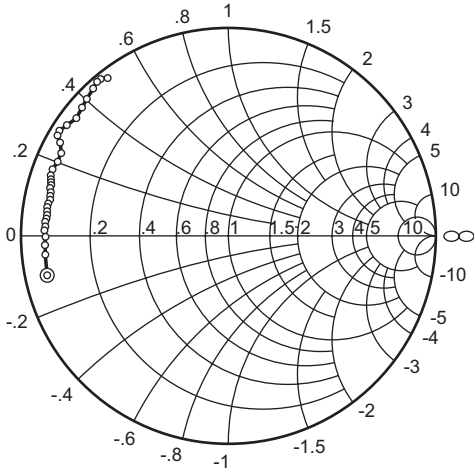
Evaluation Circuit (f = 520 MHz)



- C1, C5, C10, C11: 100 pF Chip Capacitor
 C2, C3, C8: 10 pF Chip Capacitor
 C4: 5 pF Chip Capacitor
 C6, C12: 1000 pF Chip Capacitor
 C7, C13: 2.2 μ F Electrolysis Capacitor
 C9: 11 pF Chip Capacitor
 L1: 8 Turns D : 0.5 mm, ϕ 2.4 mm Enamel Wire
 L2: 1.2 nH Chip Inductor
 L3: 1.0 nH Chip Inductor
 R1: 51 Ω Chip Resistor
 R2: 510 Ω Chip Resistor
 R3: 3.3 k Ω Chip Resistor

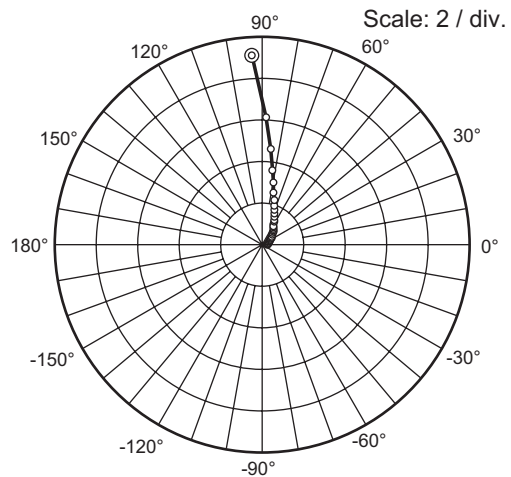


S₁₁ Parameter vs. Frequency



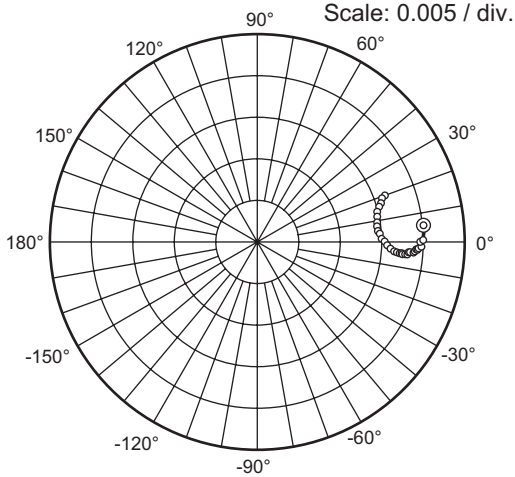
Condition: $V_{DS} = 6V$, $I_{DQ} = 400\text{ mA}$, $Z_o = 50\ \Omega$
 100 to 1000 MHz (50 MHz Step)
 1000 to 2500 MHz (200 MHz Step)

S₂₁ Parameter vs. Frequency



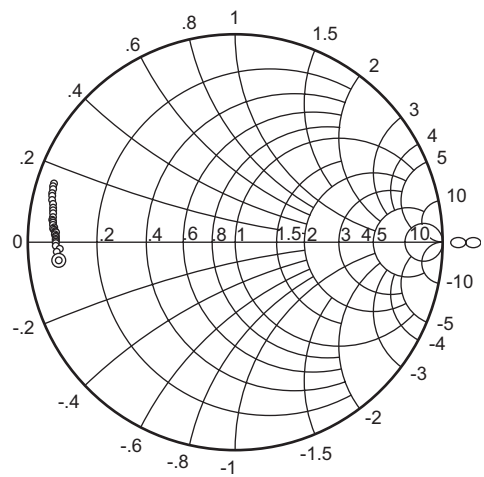
Condition: $V_{DS} = 6V$, $I_{DQ} = 400\text{ mA}$, $Z_o = 50\ \Omega$
 100 to 1000 MHz (50 MHz Step)
 1000 to 2500 MHz (200 MHz Step)

S₁₂ Parameter vs. Frequency



Condition: $V_{DS} = 6V$, $I_{DQ} = 400\text{ mA}$, $Z_o = 50\ \Omega$
 100 to 1000 MHz (50 MHz Step)
 1000 to 2500 MHz (200 MHz Step)

S₂₂ Parameter vs. Frequency



Condition: $V_{DS} = 6V$, $I_{DQ} = 400\text{ mA}$, $Z_o = 50\ \Omega$
 100 to 1000 MHz (50 MHz Step)
 1000 to 2500 MHz (200 MHz Step)

$(V_{DS} = 6\text{ V}, I_{DQ} = 50\text{ mA}, Z_o = 50\ \Omega)$

f (MHz)	S11		S21		S12		S22	
	MAG	ANG (deg.)	MAG	ANG (deg.)	MAG	ANG (deg.)	MAG	ANG (deg.)
100	0.826	-158.1	7.94	92.7	0.050	3.2	0.730	-161.1
150	0.818	-166.9	5.34	85.2	0.049	-2.2	0.737	-166.6
200	0.803	-171.2	3.98	79.7	0.048	-7.2	0.726	-169.1
250	0.808	-174.0	3.11	75.3	0.047	-10.8	0.732	-170.7
300	0.823	-176.2	2.56	71.1	0.046	-14.4	0.756	-171.5
350	0.826	-177.9	2.15	67.2	0.045	-17.2	0.758	-172.1
400	0.831	-179.3	1.85	63.3	0.044	-20.4	0.767	-172.8
450	0.835	-179.6	1.62	59.6	0.043	-23.0	0.773	-173.1
500	0.837	-178.4	1.43	55.9	0.042	-25.5	0.783	-173.5
550	0.842	-177.1	1.28	52.7	0.041	-27.9	0.796	-173.7
600	0.846	-176.0	1.15	49.7	0.039	-30.2	0.800	-174.1
650	0.852	-174.7	1.05	46.8	0.038	-32.3	0.811	-174.5
700	0.852	-173.4	0.95	43.5	0.037	-34.3	0.817	-175.0
750	0.857	-172.0	0.86	40.8	0.035	-36.2	0.826	-175.4
800	0.862	-171.1	0.79	38.1	0.034	-38.2	0.834	-175.8
850	0.870	-169.9	0.73	35.1	0.032	-39.8	0.839	-176.1
900	0.877	-168.5	0.68	32.5	0.031	-41.2	0.848	-176.9
950	0.881	-167.7	0.63	30.1	0.030	-42.4	0.857	-177.3
1000	0.887	-166.9	0.58	27.9	0.028	-43.8	0.861	-178.0
1050	0.889	-165.7	0.54	25.5	0.027	-44.8	0.866	-178.3
1100	0.895	-164.7	0.51	23.3	0.026	-46.0	0.873	-179.0
1150	0.902	-163.8	0.47	21.4	0.025	-46.8	0.880	-179.6
1200	0.901	-162.7	0.45	19.2	0.023	-47.6	0.882	-179.9
1250	0.904	-161.6	0.42	17.1	0.022	-47.8	0.887	-179.2
1300	0.903	-160.3	0.39	15.4	0.021	-48.3	0.891	-178.9
1350	0.899	-159.1	0.37	13.0	0.020	-48.8	0.895	-178.3
1400	0.901	-157.4	0.35	11.0	0.019	-48.7	0.896	-177.9
1450	0.909	-155.6	0.33	8.8	0.018	-48.7	0.901	-177.0
1500	0.922	-154.1	0.31	7.0	0.017	-48.2	0.902	-176.7
1550	0.937	-153.2	0.29	6.0	0.016	-47.9	0.905	-175.8
1600	0.953	-152.5	0.28	4.5	0.015	-47.1	0.910	-175.3
1650	0.960	-151.9	0.27	3.1	0.014	-46.1	0.910	-174.8
1700	0.958	-151.1	0.25	1.7	0.013	-45.1	0.911	-174.0
1750	0.948	-150.1	0.24	0.2	0.013	-43.8	0.916	-173.3
1800	0.941	-148.4	0.23	-1.7	0.012	-41.4	0.920	-172.6
1850	0.938	-146.6	0.22	-3.4	0.011	-39.5	0.919	-172.0
1900	0.936	-144.9	0.21	-4.3	0.011	-37.3	0.921	-171.2
1950	0.940	-143.4	0.20	-5.3	0.010	-33.4	0.924	-170.6
2000	0.945	-142.0	0.19	-6.1	0.010	-30.4	0.926	-170.1
2050	0.950	-140.8	0.19	-7.1	0.009	-26.4	0.929	-169.4
2100	0.951	-139.2	0.18	-8.3	0.009	-22.5	0.933	-168.9
2150	0.955	-137.6	0.17	-10.2	0.009	-18.8	0.937	-168.3
2200	0.959	-135.8	0.16	-11.8	0.009	-14.1	0.935	-167.7
2250	0.962	-134.3	0.16	-13.3	0.009	-9.7	0.936	-167.2
2300	0.972	-133.2	0.15	-14.3	0.009	-5.6	0.939	-166.5
2350	0.976	-132.4	0.15	-15.8	0.009	-1.4	0.942	-165.9
2400	0.975	-131.7	0.14	-16.9	0.009	2.0	0.943	-165.4
2450	0.968	-131.0	0.14	-17.6	0.009	5.8	0.942	-164.8
2500	0.962	-129.9	0.13	-18.2	0.009	8.9	0.944	-164.2

(V_{DS} = 6 V, I_{DQ} = 100 mA, Z_o = 50 Ω)

f (MHz)	S11		S21		S12		S22	
	MAG	ANG (deg.)	MAG	ANG (deg.)	MAG	ANG (deg.)	MAG	ANG (deg.)
100	0.864	-164.3	8.68	92.0	0.035	4.0	0.787	-168.2
150	0.856	-171.3	5.81	86.3	0.034	-0.1	0.798	-172.0
200	0.853	-174.7	4.33	82.0	0.034	-4.0	0.781	-174.4
250	0.857	-177.2	3.40	78.3	0.033	-6.4	0.784	-175.4
300	0.860	-179.3	2.81	75.1	0.033	-9.0	0.802	-175.8
350	0.858	179.2	2.38	72.2	0.033	-10.4	0.805	-176.3
400	0.859	178.0	2.06	68.8	0.032	-12.9	0.809	-177.1
450	0.858	176.8	1.82	65.6	0.031	-14.5	0.809	-177.6
500	0.859	175.4	1.62	62.8	0.031	-16.1	0.815	-177.8
550	0.864	174.5	1.46	60.0	0.030	-17.6	0.822	-178.1
600	0.865	173.5	1.33	57.4	0.029	-19.3	0.824	-178.3
650	0.866	172.2	1.21	55.1	0.029	-20.7	0.827	-178.6
700	0.866	171.0	1.11	52.2	0.028	-22.1	0.834	-179.2
750	0.866	169.8	1.02	49.6	0.027	-23.5	0.835	-179.3
800	0.872	168.8	0.94	47.3	0.026	-24.7	0.839	-179.7
850	0.878	167.5	0.88	44.6	0.026	-25.8	0.844	-179.7
900	0.883	166.5	0.82	42.1	0.025	-26.5	0.849	179.7
950	0.888	165.7	0.76	40.0	0.024	-27.2	0.856	179.4
1000	0.893	165.0	0.71	37.9	0.023	-28.1	0.857	178.9
1050	0.896	164.2	0.67	35.8	0.023	-28.6	0.862	178.6
1100	0.898	163.5	0.63	33.6	0.022	-29.3	0.865	178.2
1150	0.903	162.6	0.59	31.5	0.021	-29.7	0.870	177.9
1200	0.905	161.6	0.57	29.8	0.020	-29.8	0.871	177.3
1250	0.903	160.4	0.53	27.6	0.019	-29.8	0.875	176.8
1300	0.900	159.2	0.50	25.6	0.019	-29.9	0.879	176.6
1350	0.898	157.6	0.47	23.6	0.018	-30.1	0.882	176.1
1400	0.904	156.2	0.45	21.4	0.017	-29.4	0.885	175.7
1450	0.914	154.4	0.43	19.4	0.017	-29.2	0.885	175.5
1500	0.927	153.3	0.41	17.6	0.016	-28.2	0.888	174.9
1550	0.944	152.4	0.39	15.8	0.015	-27.2	0.891	174.1
1600	0.958	151.8	0.38	14.9	0.015	-26.1	0.892	173.6
1650	0.963	151.0	0.36	13.1	0.014	-25.0	0.897	173.2
1700	0.964	150.3	0.34	11.6	0.014	-23.7	0.899	172.6
1750	0.954	149.2	0.33	9.8	0.013	-22.7	0.903	172.2
1800	0.948	147.8	0.31	7.8	0.013	-20.2	0.906	171.3
1850	0.943	146.0	0.30	6.3	0.012	-18.7	0.906	170.9
1900	0.938	144.5	0.29	5.0	0.012	-16.9	0.908	170.2
1950	0.939	142.7	0.28	3.8	0.012	-14.3	0.908	169.5
2000	0.944	141.1	0.27	3.0	0.012	-11.5	0.912	169.2
2050	0.951	139.8	0.25	1.7	0.012	-9.2	0.915	168.5
2100	0.955	138.1	0.24	0.3	0.011	-6.2	0.918	167.9
2150	0.964	136.5	0.23	-1.5	0.011	-4.0	0.921	167.3
2200	0.968	134.8	0.23	-3.3	0.011	-1.6	0.922	167.0
2250	0.972	133.5	0.22	-5.1	0.011	0.7	0.926	166.3
2300	0.979	132.6	0.21	-6.4	0.011	3.2	0.924	165.6
2350	0.982	131.8	0.20	-7.9	0.011	5.7	0.929	165.1
2400	0.981	130.9	0.20	-9.3	0.012	7.7	0.929	164.7
2450	0.974	130.4	0.19	-10.3	0.012	10.0	0.931	164.0
2500	0.969	129.4	0.19	-11.1	0.012	11.7	0.931	163.5

$(V_{DS} = 6\text{ V}, I_{DQ} = 200\text{ mA}, Z_o = 50\ \Omega)$

f (MHz)	S11		S21		S12		S22	
	MAG	ANG (deg.)	MAG	ANG (deg.)	MAG	ANG (deg.)	MAG	ANG (deg.)
100	0.891	-166.7	9.03	92.3	0.026	3.0	0.840	-172.2
150	0.884	-173.4	6.05	87.2	0.026	1.7	0.838	-175.1
200	0.881	-176.7	4.55	83.5	0.025	-1.1	0.824	-176.7
250	0.884	-179.0	3.56	80.6	0.024	-3.1	0.822	-177.8
300	0.888	179.2	2.95	77.7	0.025	-5.0	0.840	-178.2
350	0.883	177.8	2.52	75.3	0.024	-5.3	0.841	-179.0
400	0.887	176.5	2.18	72.4	0.024	-6.9	0.843	-179.4
450	0.884	175.4	1.93	69.8	0.024	-7.8	0.842	-180.0
500	0.882	173.9	1.72	67.0	0.024	-8.7	0.844	179.9
550	0.884	173.1	1.57	64.9	0.023	-9.6	0.848	179.5
600	0.883	172.0	1.43	62.5	0.023	-10.5	0.849	179.3
650	0.884	170.7	1.31	60.4	0.022	-11.1	0.847	179.0
700	0.881	169.5	1.20	58.0	0.022	-12.2	0.853	178.4
750	0.882	168.4	1.11	55.8	0.022	-12.6	0.854	178.3
800	0.884	167.3	1.03	53.6	0.021	-13.0	0.855	177.9
850	0.889	166.0	0.97	51.4	0.021	-13.9	0.859	177.8
900	0.894	164.9	0.91	49.1	0.020	-14.3	0.862	177.2
950	0.899	164.3	0.85	46.9	0.020	-14.1	0.867	177.1
1000	0.902	163.6	0.80	45.2	0.019	-14.5	0.867	177.0
1050	0.904	162.7	0.75	43.0	0.019	-14.7	0.871	176.5
1100	0.908	162.0	0.71	41.1	0.019	-14.8	0.872	175.9
1150	0.909	161.3	0.68	39.3	0.018	-14.5	0.875	175.8
1200	0.909	160.2	0.65	37.4	0.018	-14.4	0.875	175.4
1250	0.907	159.0	0.61	35.4	0.017	-14.1	0.879	174.9
1300	0.905	157.7	0.58	33.6	0.017	-13.6	0.881	174.6
1350	0.900	156.4	0.55	31.4	0.016	-13.3	0.883	174.4
1400	0.906	155.0	0.52	29.2	0.016	-12.7	0.882	174.0
1450	0.918	153.6	0.50	27.4	0.016	-11.8	0.890	173.4
1500	0.932	152.3	0.48	25.7	0.015	-10.9	0.888	173.1
1550	0.946	151.3	0.46	24.0	0.015	-10.0	0.887	172.4
1600	0.959	150.7	0.44	22.9	0.015	-8.9	0.891	172.2
1650	0.967	150.1	0.43	21.4	0.015	-8.0	0.893	171.7
1700	0.964	149.4	0.41	19.6	0.014	-6.8	0.894	171.2
1750	0.956	148.2	0.39	17.8	0.014	-5.4	0.895	170.8
1800	0.949	146.7	0.38	15.8	0.014	-3.6	0.900	169.9
1850	0.942	145.2	0.37	14.2	0.014	-2.6	0.898	169.7
1900	0.938	143.7	0.35	12.9	0.014	-1.5	0.900	169.0
1950	0.936	141.9	0.33	11.9	0.014	0.7	0.902	168.3
2000	0.943	140.3	0.32	10.6	0.013	2.1	0.907	167.9
2050	0.947	138.8	0.31	9.4	0.014	4.2	0.909	167.4
2100	0.957	137.1	0.30	8.0	0.013	6.0	0.912	166.9
2150	0.963	135.7	0.29	6.1	0.014	6.7	0.917	166.4
2200	0.969	134.2	0.28	4.0	0.014	8.5	0.916	165.7
2250	0.972	132.9	0.27	2.3	0.014	9.3	0.918	165.5
2300	0.977	131.9	0.26	1.0	0.014	11.5	0.918	164.7
2350	0.981	131.1	0.25	-0.8	0.014	12.7	0.924	164.5
2400	0.976	130.4	0.25	-2.0	0.014	13.8	0.921	164.0
2450	0.973	129.7	0.24	-3.4	0.014	15.1	0.923	163.2
2500	0.965	128.7	0.23	-4.3	0.015	15.8	0.924	162.6

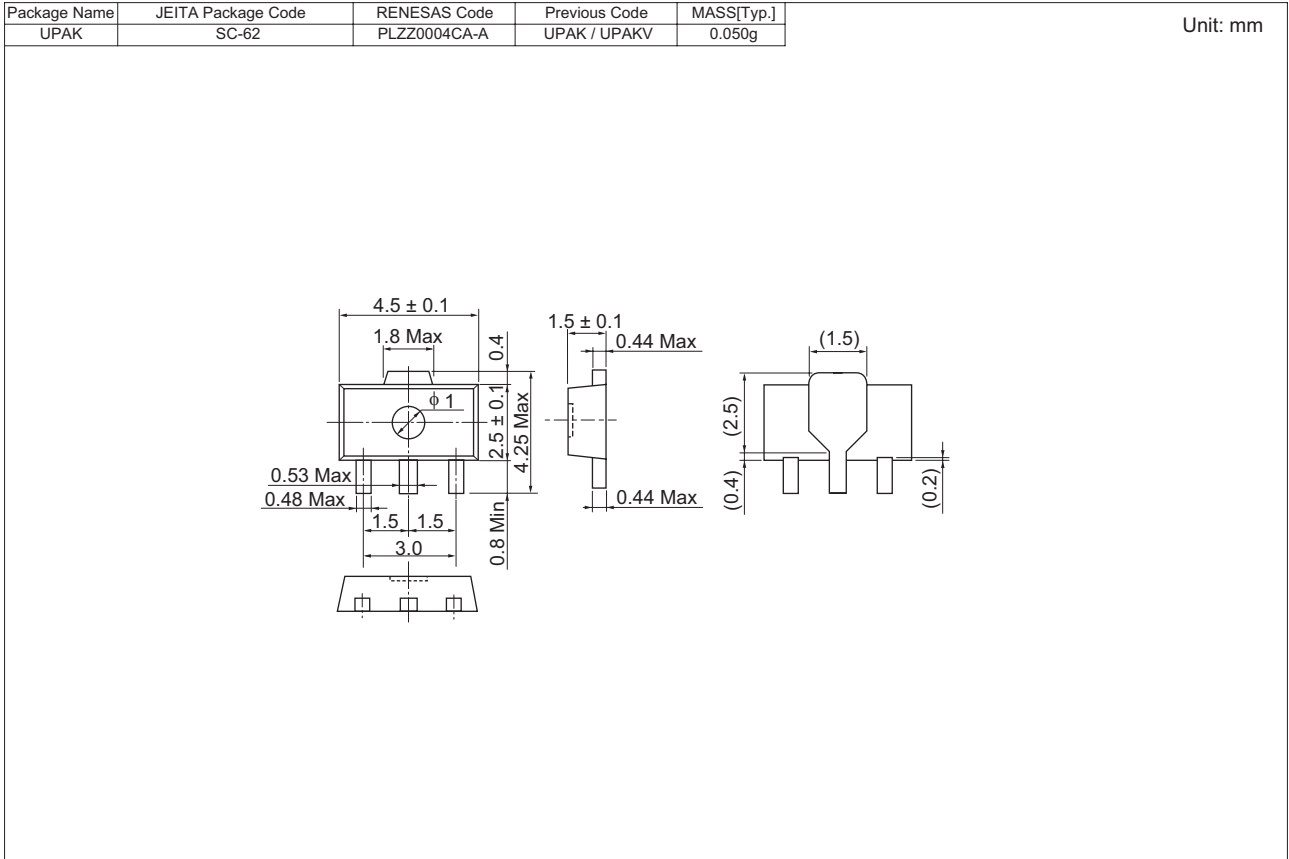
$(V_{DS} = 6\text{ V}, I_{DQ} = 300\text{ mA}, Z_o = 50\ \Omega)$

f (MHz)	S11		S21		S12		S22	
	MAG	ANG (deg.)	MAG	ANG (deg.)	MAG	ANG (deg.)	MAG	ANG (deg.)
100	0.905	-167.9	9.11	92.6	0.022	2.7	0.853	-173.6
150	0.895	-174.0	6.13	87.8	0.022	2.2	0.855	-176.1
200	0.895	-177.4	4.59	84.3	0.022	0.2	0.837	-177.5
250	0.896	-179.5	3.62	81.4	0.021	-0.7	0.858	-178.1
300	0.896	178.8	3.00	78.8	0.022	-2.9	0.855	-179.0
350	0.892	177.3	2.56	76.3	0.021	-3.1	0.859	-179.9
400	0.896	176.0	2.22	73.7	0.021	-3.9	0.857	179.9
450	0.894	174.9	1.97	71.3	0.021	-4.9	0.859	179.4
500	0.892	173.7	1.76	68.8	0.021	-5.5	0.857	179.0
550	0.893	172.5	1.60	66.6	0.020	-5.7	0.861	178.7
600	0.892	171.3	1.46	64.5	0.020	-6.3	0.859	178.5
650	0.891	170.2	1.34	62.5	0.020	-6.9	0.861	178.1
700	0.891	168.9	1.23	60.3	0.020	-7.2	0.859	177.9
750	0.893	167.8	1.14	58.2	0.019	-7.4	0.864	177.6
800	0.892	166.8	1.06	56.1	0.019	-8.0	0.866	177.0
850	0.895	165.4	1.00	53.8	0.019	-8.4	0.866	176.9
900	0.902	164.5	0.94	51.8	0.018	-8.2	0.870	176.5
950	0.906	163.7	0.88	49.9	0.018	-7.9	0.874	176.2
1000	0.908	163.1	0.83	48.1	0.018	-8.0	0.873	176.1
1050	0.908	162.3	0.78	46.2	0.017	-7.8	0.876	175.5
1100	0.912	161.7	0.75	44.1	0.017	-7.7	0.878	175.3
1150	0.914	160.7	0.71	42.3	0.017	-7.3	0.881	174.9
1200	0.913	159.8	0.68	40.7	0.017	-7.0	0.879	174.5
1250	0.911	158.6	0.64	38.7	0.016	-6.6	0.881	174.1
1300	0.907	157.4	0.61	36.8	0.016	-6.1	0.884	173.9
1350	0.905	156.1	0.58	35.1	0.016	-5.8	0.885	173.5
1400	0.911	154.4	0.55	33.1	0.016	-4.8	0.885	173.4
1450	0.923	153.0	0.53	31.0	0.015	-3.9	0.887	172.8
1500	0.934	151.7	0.51	29.1	0.015	-2.8	0.887	172.2
1550	0.950	151.0	0.49	27.6	0.015	-1.9	0.888	171.8
1600	0.963	150.3	0.47	26.4	0.015	-1.2	0.891	171.4
1650	0.969	149.6	0.46	24.9	0.015	-0.5	0.891	171.0
1700	0.966	149.1	0.44	23.2	0.015	1.1	0.895	170.5
1750	0.959	147.8	0.42	21.5	0.014	1.9	0.893	169.9
1800	0.950	146.2	0.40	19.3	0.014	3.6	0.898	169.3
1850	0.942	144.8	0.39	17.9	0.014	4.0	0.898	168.8
1900	0.938	143.2	0.38	16.4	0.014	5.3	0.900	168.4
1950	0.937	141.4	0.37	15.2	0.014	7.1	0.902	167.8
2000	0.941	139.8	0.35	14.2	0.014	8.7	0.906	167.4
2050	0.950	138.4	0.34	12.8	0.014	9.5	0.908	166.8
2100	0.957	136.9	0.32	11.5	0.014	10.8	0.911	166.2
2150	0.966	135.2	0.31	9.6	0.015	11.9	0.913	165.8
2200	0.971	133.8	0.30	7.6	0.015	13.3	0.914	165.4
2250	0.973	132.4	0.29	5.8	0.015	14.0	0.912	164.7
2300	0.978	131.5	0.28	4.4	0.015	15.1	0.918	164.1
2350	0.981	130.7	0.28	2.6	0.015	16.2	0.923	163.9
2400	0.980	130.0	0.27	1.2	0.015	17.2	0.920	163.4
2450	0.975	129.4	0.26	0.1	0.016	17.7	0.920	162.8
2500	0.968	128.4	0.25	-1.1	0.016	18.4	0.920	162.2

$(V_{DS} = 6\text{ V}, I_{DQ} = 400\text{ mA}, Z_o = 50\ \Omega)$

f (MHz)	S11		S21		S12		S22	
	MAG	ANG (deg.)	MAG	ANG (deg.)	MAG	ANG (deg.)	MAG	ANG (deg.)
100	0.910	-168.0	9.14	92.9	0.020	5.5	0.857	-174.0
150	0.902	-174.2	6.17	88.1	0.020	4.5	0.864	-177.0
200	0.900	-177.3	4.62	84.7	0.020	0.8	0.847	-177.9
250	0.900	-179.5	3.64	81.9	0.020	0.1	0.866	-178.6
300	0.900	178.3	3.02	79.3	0.020	-1.6	0.865	-179.6
350	0.898	177.1	2.58	76.9	0.020	-1.7	0.866	180.0
400	0.900	175.8	2.24	74.4	0.020	-2.4	0.864	179.4
450	0.897	174.7	1.98	72.1	0.019	-2.7	0.867	179.1
500	0.895	173.5	1.78	69.6	0.019	-2.9	0.864	178.6
550	0.898	172.3	1.62	67.5	0.019	-3.6	0.869	178.2
600	0.898	171.4	1.48	65.5	0.019	-3.9	0.868	178.1
650	0.897	170.0	1.36	63.5	0.019	-4.0	0.869	177.7
700	0.892	168.8	1.25	61.4	0.018	-4.1	0.867	177.1
750	0.894	167.5	1.16	59.4	0.018	-4.6	0.873	177.1
800	0.896	166.4	1.07	57.2	0.018	-4.7	0.872	176.8
850	0.905	165.2	1.01	55.1	0.018	-5.0	0.873	176.5
900	0.905	164.2	0.95	53.1	0.017	-4.7	0.876	176.2
950	0.910	163.5	0.90	51.3	0.017	-4.5	0.880	175.9
1000	0.912	162.8	0.84	49.5	0.017	-4.5	0.878	175.5
1050	0.915	162.2	0.80	47.6	0.017	-3.8	0.878	175.4
1100	0.916	161.5	0.76	45.9	0.017	-3.9	0.882	174.7
1150	0.917	160.7	0.72	43.8	0.016	-3.1	0.882	174.6
1200	0.918	159.7	0.69	42.1	0.016	-3.0	0.882	173.9
1250	0.914	158.5	0.66	40.1	0.016	-2.2	0.885	173.7
1300	0.911	157.1	0.62	38.4	0.016	-1.6	0.886	173.5
1350	0.909	155.7	0.59	36.7	0.015	-1.1	0.886	173.1
1400	0.912	154.2	0.56	34.6	0.015	-0.1	0.888	173.0
1450	0.925	152.7	0.54	32.6	0.015	0.2	0.891	172.4
1500	0.938	151.6	0.52	30.9	0.015	1.4	0.890	172.1
1550	0.952	150.7	0.50	29.4	0.015	2.5	0.889	171.3
1600	0.965	150.1	0.49	28.2	0.015	3.4	0.891	171.0
1650	0.974	149.4	0.47	26.7	0.015	4.2	0.894	170.6
1700	0.971	148.7	0.45	25.0	0.015	5.0	0.893	170.2
1750	0.964	147.6	0.43	23.3	0.015	6.1	0.895	169.6
1800	0.955	146.2	0.42	21.1	0.015	7.2	0.898	169.2
1850	0.945	144.5	0.40	19.7	0.015	8.0	0.898	168.4
1900	0.940	142.9	0.39	18.4	0.015	8.9	0.900	168.0
1950	0.934	141.3	0.38	17.3	0.015	10.6	0.902	167.3
2000	0.946	139.5	0.36	16.2	0.015	12.0	0.905	167.0
2050	0.952	138.0	0.35	14.9	0.015	12.6	0.908	166.5
2100	0.960	136.7	0.33	13.3	0.015	14.1	0.910	165.9
2150	0.969	134.9	0.32	11.4	0.015	14.7	0.913	165.4
2200	0.973	133.2	0.31	9.3	0.015	15.6	0.913	165.1
2250	0.979	132.3	0.30	7.4	0.015	15.9	0.915	164.6
2300	0.982	131.2	0.29	6.0	0.016	17.4	0.917	163.9
2350	0.983	130.5	0.29	4.4	0.016	18.0	0.918	163.4
2400	0.981	129.8	0.28	3.1	0.016	19.0	0.920	163.1
2450	0.977	129.1	0.27	1.7	0.016	19.5	0.918	162.6
2500	0.967	128.1	0.27	0.5	0.016	19.9	0.921	162.0

Package Dimensions



Ordering Information

Part Name	Quantity	Shipping Container
RQA0008RXTL-E	1000 pcs.	$\phi 178$ mm Reel, 12 mm Emboss Taping

Renesas Technology Corp. Sales Strategic Planning Div. Nippon Bldg., 2-6-2, Ohte-machi, Chiyoda-ku, Tokyo 100-0004, Japan

Notes:

1. This document is provided for reference purposes only so that Renesas customers may select the appropriate Renesas products for their use. Renesas neither makes warranties or representations with respect to the accuracy or completeness of the information contained in this document nor grants any license to any intellectual property rights or any other rights of Renesas or any third party with respect to the information in this document.
2. Renesas shall have no liability for damages or infringement of any intellectual property or other rights arising out of the use of any information in this document, including, but not limited to, product data, diagrams, charts, programs, algorithms, and application circuit examples.
3. You should not use the products or the technology described in this document for the purpose of military applications such as the development of weapons of mass destruction or for the purpose of any other military use. When exporting the products or technology described herein, you should follow the applicable export control laws and regulations, and procedures required by such laws and regulations.
4. All information included in this document such as product data, diagrams, charts, programs, algorithms, and application circuit examples, is current as of the date this document is issued. Such information, however, is subject to change without any prior notice. Before purchasing or using any Renesas products listed in this document, please confirm the latest product information with a Renesas sales office. Also, please pay regular and careful attention to additional and different information to be disclosed by Renesas such as that disclosed through our website. (<http://www.renesas.com>)
5. Renesas has used reasonable care in compiling the information included in this document, but Renesas assumes no liability whatsoever for any damages incurred as a result of errors or omissions in the information included in this document.
6. When using or otherwise relying on the information in this document, you should evaluate the information in light of the total system before deciding about the applicability of such information to the intended application. Renesas makes no representations, warranties or guarantees regarding the suitability of its products for any particular application and specifically disclaims any liability arising out of the application and use of the information in this document or Renesas products.
7. With the exception of products specified by Renesas as suitable for automobile applications, Renesas products are not designed, manufactured or tested for applications or otherwise in systems the failure or malfunction of which may cause a direct threat to human life or create a risk of human injury or which require especially high quality and reliability such as safety systems, or equipment or systems for transportation and traffic, healthcare, combustion control, aerospace and aeronautics, nuclear power, or undersea communication transmission. If you are considering the use of our products for such purposes, please contact a Renesas sales office beforehand. Renesas shall have no liability for damages arising out of the uses set forth above.
8. Notwithstanding the preceding paragraph, you should not use Renesas products for the purposes listed below:
 - (1) artificial life support devices or systems
 - (2) surgical implantations
 - (3) healthcare intervention (e.g., excision, administration of medication, etc.)
 - (4) any other purposes that pose a direct threat to human lifeRenesas shall have no liability for damages arising out of the uses set forth in the above and purchasers who elect to use Renesas products in any of the foregoing applications shall indemnify and hold harmless Renesas Technology Corp., its affiliated companies and their officers, directors, and employees against any and all damages arising out of such applications.
9. You should use the products described herein within the range specified by Renesas, especially with respect to the maximum rating, operating supply voltage range, movement power voltage range, heat radiation characteristics, installation and other product characteristics. Renesas shall have no liability for malfunctions or damages arising out of the use of Renesas products beyond such specified ranges.
10. Although Renesas endeavors to improve the quality and reliability of its products, IC products have specific characteristics such as the occurrence of failure at a certain rate and malfunctions under certain use conditions. Please be sure to implement safety measures to guard against the possibility of physical injury, and injury or damage caused by fire in the event of the failure of a Renesas product, such as safety design for hardware and software including but not limited to redundancy, fire control and malfunction prevention, appropriate treatment for aging degradation or any other applicable measures. Among others, since the evaluation of microcomputer software alone is very difficult, please evaluate the safety of the final products or system manufactured by you.
11. In case Renesas products listed in this document are detached from the products to which the Renesas products are attached or affixed, the risk of accident such as swallowing by infants and small children is very high. You should implement safety measures so that Renesas products may not be easily detached from your products. Renesas shall have no liability for damages arising out of such detachment.
12. This document may not be reproduced or duplicated, in any form, in whole or in part, without prior written approval from Renesas.
13. Please contact a Renesas sales office if you have any questions regarding the information contained in this document, Renesas semiconductor products, or if you have any other inquiries.



RENESAS SALES OFFICES

<http://www.renesas.com>

Refer to "<http://www.renesas.com/en/network>" for the latest and detailed information.

Renesas Technology America, Inc.
450 Holger Way, San Jose, CA 95134-1368, U.S.A
Tel: <1> (408) 382-7500, Fax: <1> (408) 382-7501

Renesas Technology Europe Limited
Dukes Meadow, Millboard Road, Bourne End, Buckinghamshire, SL8 5FH, U.K.
Tel: <44> (1628) 585-100, Fax: <44> (1628) 585-900

Renesas Technology (Shanghai) Co., Ltd.
Unit 204, 205, AZIA Center, No.1233 Lujiazui Ring Rd, Pudong District, Shanghai, China 200120
Tel: <86> (21) 5877-1818, Fax: <86> (21) 6887-7898

Renesas Technology Hong Kong Ltd.
7th Floor, North Tower, World Finance Centre, Harbour City, 1 Canton Road, Tsimshatsui, Kowloon, Hong Kong
Tel: <852> 2265-6688, Fax: <852> 2730-6071

Renesas Technology Taiwan Co., Ltd.
10th Floor, No.99, Fushing North Road, Taipei, Taiwan
Tel: <886> (2) 2715-2888, Fax: <886> (2) 2713-2999

Renesas Technology Singapore Pte. Ltd.
1 Harbour Front Avenue, #06-10, Keppel Bay Tower, Singapore 098632
Tel: <65> 6213-0200, Fax: <65> 6278-8001

Renesas Technology Korea Co., Ltd.
Kukje Center Bldg. 18th Fl., 191, 2-ka, Hangang-ro, Yongsan-ku, Seoul 140-702, Korea
Tel: <82> (2) 796-3115, Fax: <82> (2) 796-2145

Renesas Technology Malaysia Sdn. Bhd
Unit 906, Block B, Menara Amcorp, Amcorp Trade Centre, No.18, Jalan Persiaran Barat, 46050 Petaling Jaya, Selangor Darul Ehsan, Malaysia
Tel: <603> 7955-9390, Fax: <603> 7955-9510