

RS-380PH



Carbon-brush motors

OUTPUT : 0.9W~45W (APPROX)

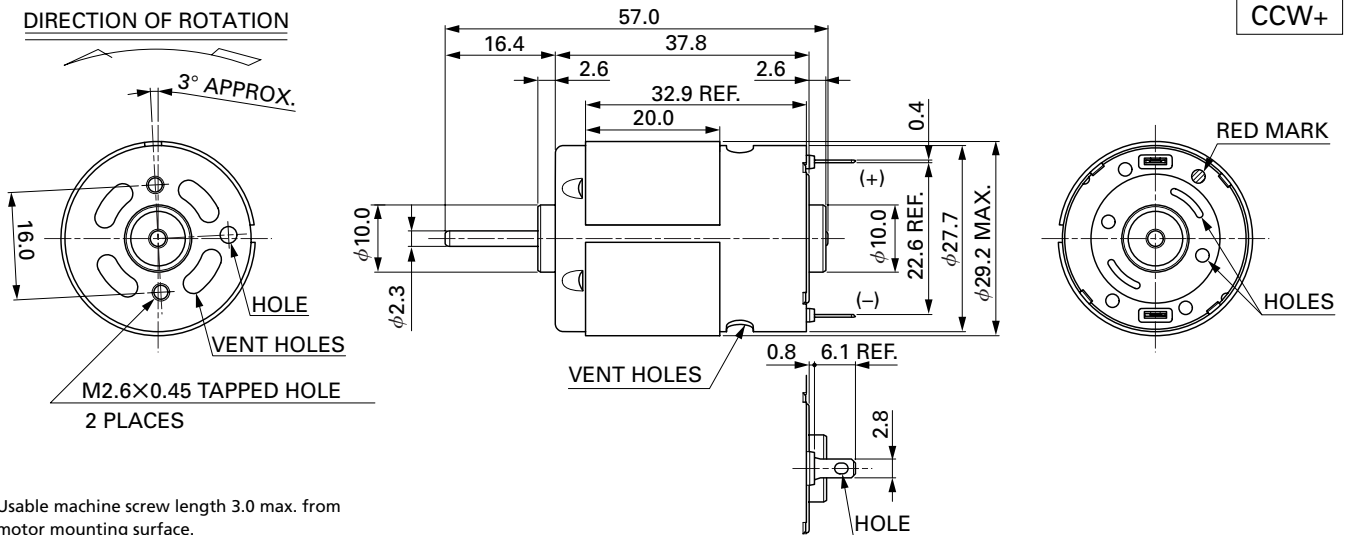
WEIGHT : 80g (APPROX)

Typical Applications Automotive Products : Car Antenna
 Home Appliances : Vacuum Cleaner
 Cordless Power Tools : Drill / Screwdriver

MODEL	VOLTAGE		NO LOAD		AT MAXIMUM EFFICIENCY				STALL			
	OPERATING RANGE	NOMINAL	SPEED r/min	CURRENT A	SPEED r/min	CURRENT A	TORQUE mN·m	TORQUE g·cm	OUTPUT W	TORQUE mN·m	TORQUE g·cm	CURRENT A
RS-380PH-3270 (*1)	4.5~15.0	12V CONSTANT	16400	0.37	14110	2.28	13.0	133	19.2	93.2	950	14.0
RS-380PH-4045 (*1)	3~12	6V CONSTANT	12500	0.56	10630	3.17	11.6	118	12.9	77.5	790	18.0

(*1) CCW shifted commutation (CCW+)

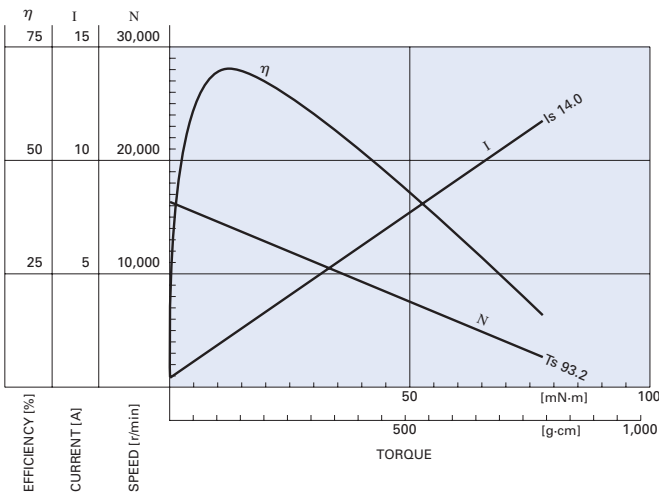
The terminal position against the tapped holes varies depending on CW+/NEUTRAL.



Usable machine screw length 3.0 max. from motor mounting surface.

UNIT: MILLIMETERS

RS-380PH-3270 12.0V



RS-380PH-4045 6.0V

