

RS-385PH



Carbon-brush motors

OUTPUT : 0.9W~40W (APPROX)

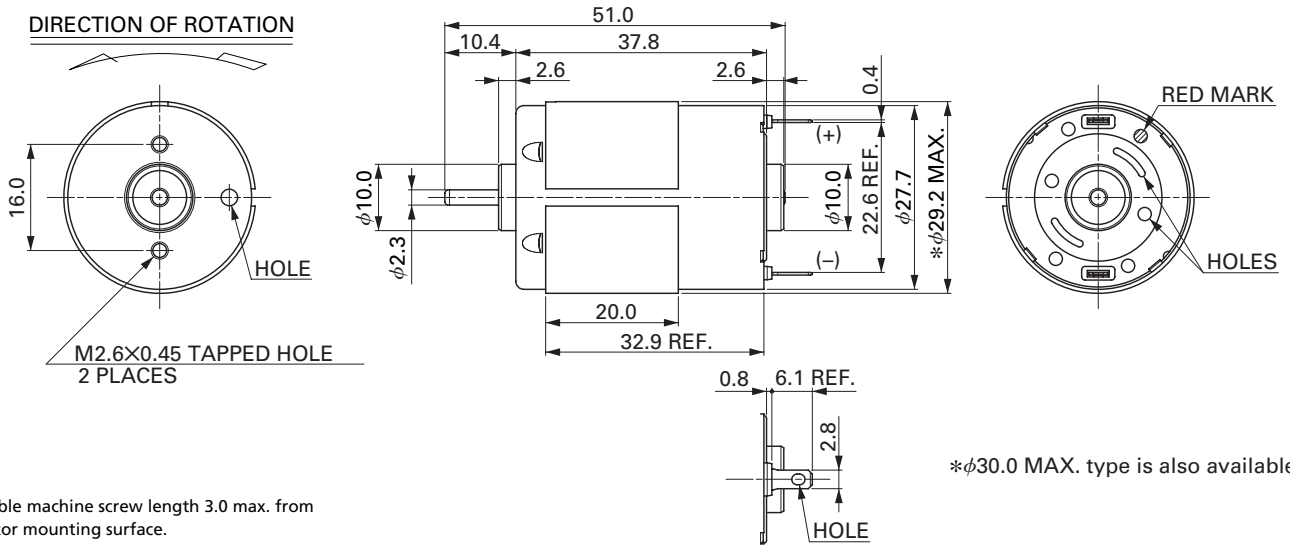
WEIGHT : 82g (APPROX)

Typical Applications Automotive Products : Automatic Cruise Control / Intake Manifold Control Valve
Home Appliances
Precision Instruments : Printer / Copy Machine / Laser Printer

| MODEL | VOLTAGE | | NO LOAD | | AT MAXIMUM EFFICIENCY | | | | STALL | | | |
|---------------------|-----------------|----------------|----------------|--------------|-----------------------|--------------|----------------|----------------|-------------|----------------|----------------|--------------|
| | OPERATING RANGE | NOMINAL | SPEED r/min | CURRENT A | SPEED r/min | CURRENT A | TORQUE mN·m | TORQUE g·cm | OUTPUT W | TORQUE mN·m | TORQUE g·cm | CURRENT A |
| RS-385PH-16140 (*1) | 12~30 | 24V CONSTANT | 8700 | 0.070 | 7420 | 0.41 | 8.30 | 84.6 | 6.44 | 56.4 | 575 | 2.35 |
| RS-385PH-17120 (*2) | 8~35 | 23.5V CONSTANT | 8600 | 0.076 | 7430 | 0.48 | 10.1 | 103 | 7.82 | 73.8 | 752 | 3.05 |

(*1) Thickness of flux yoke: 0.6t

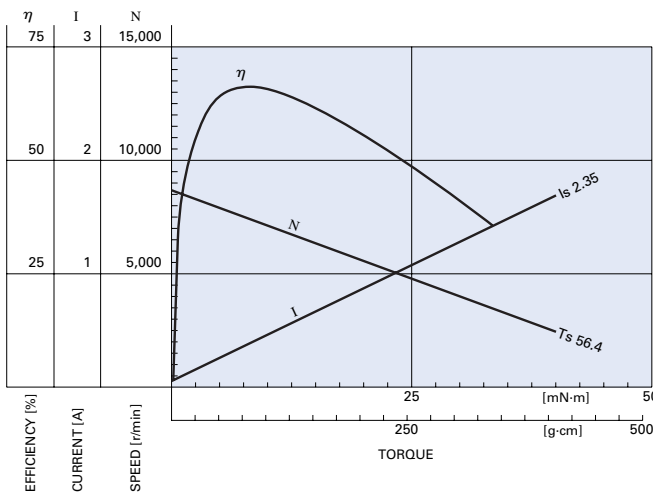
(*2) Thickness of flux yoke: 1.0t



Usable machine screw length 3.0 max. from motor mounting surface.

UNIT: MILLIMETERS

RS-385PH-16140 24.0V



RS-385PH-17120 23.5V

