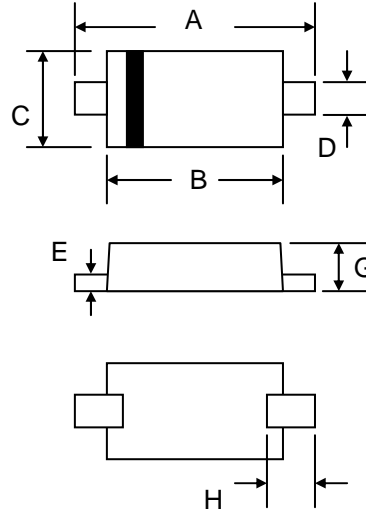


Features

- **Low Profile 1.08mm Max. Case Height**
- Glass Passivated Die Construction
- Low Forward Voltage Drop, High Efficiency
- Surge Overload Rating to 30A Peak
- Fast Recovery Time
- Ideally Suited for Automatic Assembly
- Plastic Material – UL Recognition Flammability Classification 94V-0



SOD-123FL		
Dim	Min	Max
A	3.30	3.70
B	2.60	2.95
C	1.65	1.95
D	0.75	1.35
E	0.10	0.20
G	0.98	1.08
H	0.50	0.80
All Dimensions in mm		

Mechanical Data

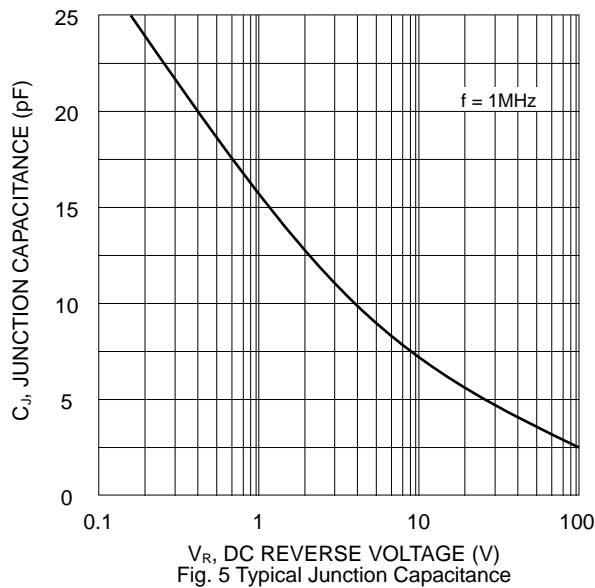
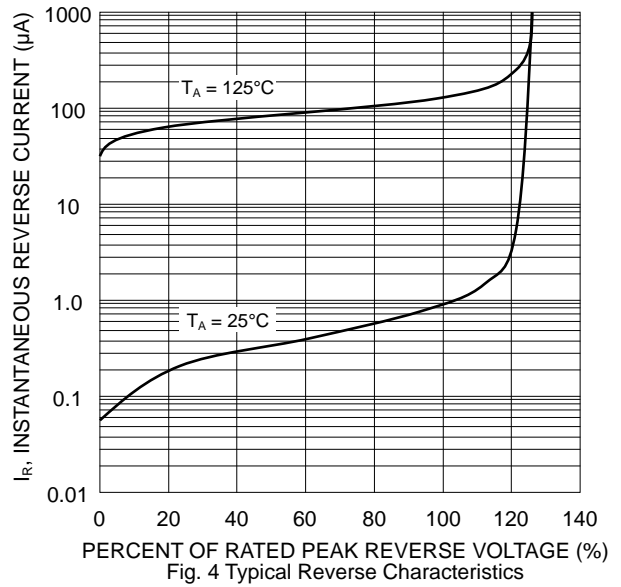
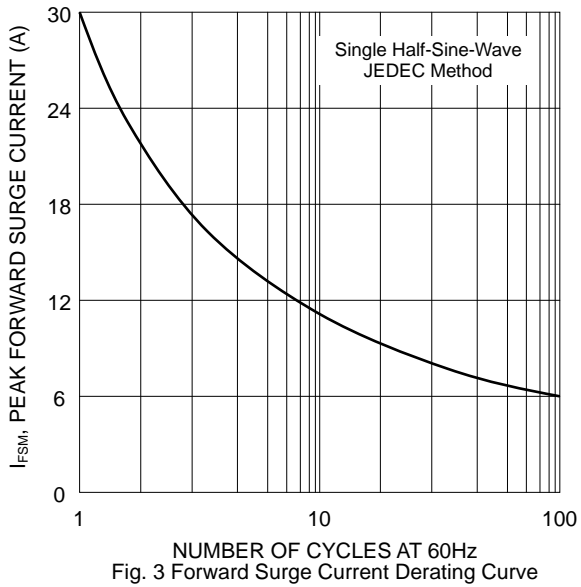
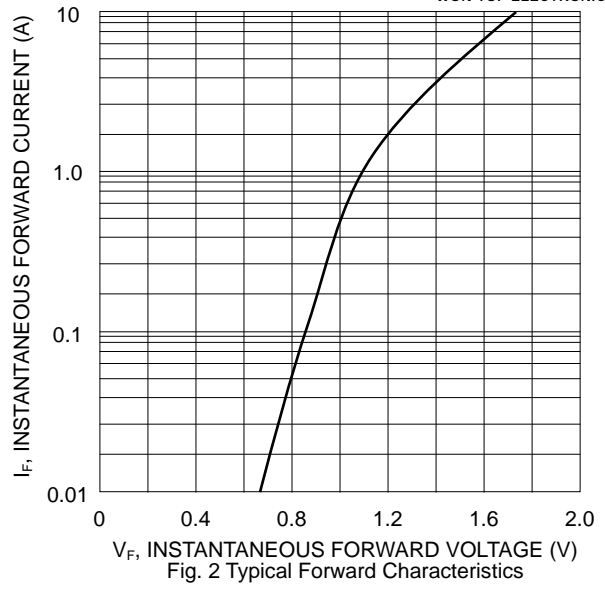
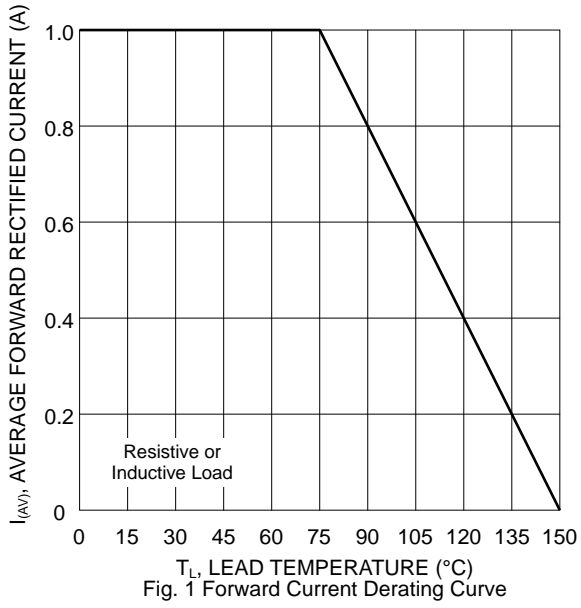
- Case: SOD-123FL, Molded Plastic
- Terminals: Plated Leads Solderable per MIL-STD-202, Method 208
- Polarity: Cathode Band
- Weight: 0.017 grams (approx.)
- Marking: Device Code, See Page 3
- **Lead Free: For RoHS / Lead Free Version, Add "-LF" Suffix to Part Number, See Page 4**

Maximum Ratings and Electrical Characteristics @ $T_A=25^\circ\text{C}$ unless otherwise specified

Single Phase, half wave, 60Hz, resistive or inductive load. For capacitive load, derate current by 20%.

Characteristic	Symbol	RS 1000FL	RS 1001FL	RS 1002FL	RS 1004FL	RS 1006FL	RS 1008FL	RS 1010FL	Unit
Peak Repetitive Reverse Voltage	V_{RRM}								V
Working Peak Reverse Voltage	V_{RWM}	50	100	200	400	600	800	1000	V
DC Blocking Voltage	V_R								V
RMS Reverse Voltage	$V_{R(RMS)}$	35	70	140	280	420	560	700	V
Average Rectified Output Current @ $T_L = 75^\circ\text{C}$	I_O	1.0							A
Non-Repetitive Peak Forward Surge Current 8.3ms Single Half Sine-Wave Superimposed on Rated Load (JEDEC Method)	I_{FSM}	30							A
Forward Voltage @ $I_F = 1.0\text{A}$	V_{FM}	1.3							V
Peak Reverse Current @ $T_A = 25^\circ\text{C}$ At Rated DC Blocking Voltage @ $T_A = 125^\circ\text{C}$	I_{RM}	10 300							μA
Reverse Recovery Time (Note 1)	t_{rr}	150			250	500		nS	
Typical Junction Capacitance (Note 2)	C_J	10							pF
Thermal Resistance Junction to Ambient (Note 3)	R_{JA}	325							$^\circ\text{C/W}$
Thermal Resistance Junction to Ambient (Note 4)	R_{JA}	82							
Thermal Resistance Junction to Lead (Note 3)	R_{JL}	26							
Thermal Resistance Junction to Lead (Note 4)	R_{JL}	21							
Operating and Storage Temperature Range	T_J, T_{STG}	-55 to +150							$^\circ\text{C}$

- Note: 1. Measured with $I_F = 0.5\text{A}$, $I_R = 1.0\text{A}$, $I_{RR} = 0.25\text{A}$.
 2. Measured at 1.0 MHz and applied reverse voltage of 4.0 V DC.
 3. Mounted on FR-4 P.C. Board with minimum recommended pad size.
 4. Mounted on FR-4 P.C. Board with 700mm² copper pads.

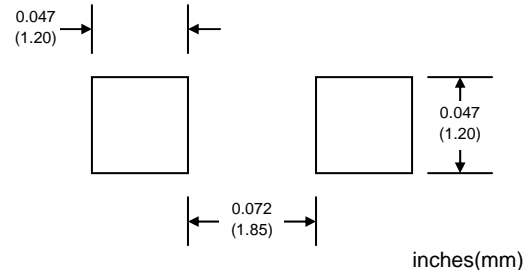


MARKING INFORMATION



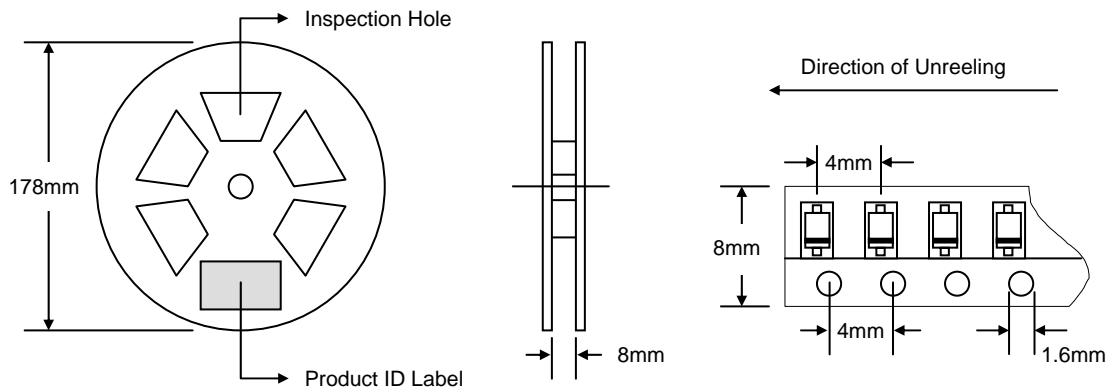
Cathode = Polarity Band
 R1x = Device Code
 x = A (RS1000FL)
 B (RS1001FL)
 D (RS1002FL)
 G (RS1004FL)
 J (RS1006FL)
 K (RS1008FL)
 M (RS1010FL)

RECOMMENDED FOOTPRINT



PACKAGING INFORMATION

TAPE & REEL




Reel Diameter (mm)	Quantity (PCS)	Inner Box Size L x W x H (mm)	Quantity (PCS)	Carton Size L x W x H (mm)	Quantity (PCS)	Approx. Gross Weight (KG)
178	3,000	195 x 135 x 195	30,000	370 x 370 x 420	240,000	10.0

Note: 1. Anti-static plastic reel, white, water clear or blue color. Inspection hole might be varied in different alignment.
 2. Components are packed in accordance with EIA standard 481-1 and 481-2.

ORDERING INFORMATION

Product No.	Package Type	Shipping Quantity
RS1000FL-T1	SDO-123FL	3000/Tape & Reel
RS1001FL-T1	SDO-123FL	3000/Tape & Reel
RS1002FL-T1	SDO-123FL	3000/Tape & Reel
RS1004FL-T1	SDO-123FL	3000/Tape & Reel
RS1006FL-T1	SDO-123FL	3000/Tape & Reel
RS1008FL-T1	SDO-123FL	3000/Tape & Reel
RS1010FL-T1	SDO-123FL	3000/Tape & Reel

1. Shipping quantity given is for minimum packing quantity only. For minimum order quantity, please consult the Sales Department.
2. **To order RoHS / Lead Free version (with Lead Free finish), add "-LF" suffix to part number above. For example, RS1000FL-T1-LF.**

WON-TOP ELECTRONICS and  are registered trademarks of Won-Top Electronics Co., Ltd (WTE). WTE has checked all information carefully and believes it to be correct and accurate. However, WTE cannot assume any responsibility for inaccuracies. Furthermore, this information does not give the purchaser of semiconductor devices any license under patent rights to manufacturer. WTE reserves the right to change any or all information herein without further notice.

WARNING: DO NOT USE IN LIFE SUPPORT EQUIPMENT. WTE power semiconductor products are not authorized for use as critical components in life support devices or systems without the express written approval.

Won-Top Electronics Co., Ltd.
No. 44 Yu Kang North 3rd Road,
Chine Chen Dist., Kaohsiung 806, Taiwan
Phone: 886-7-822-5408 or 886-7-822-5410
Fax: 886-7-822-5417
Email: sales@wontop.com
Internet: <http://www.wontop.com>

We power your everyday.