

**SINGLE-PHASE GLASS PASSIVATED
SILICON BRIDGE RECTIFIER**

VOLTAGE RANGE 50 to 1000 Volts CURRENT 10 Amperes

FEATURES

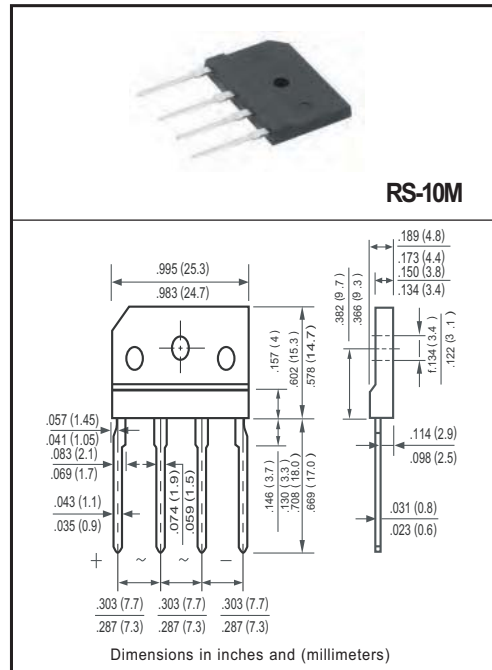
- * Low leakage
- * Low forward voltage
- * Mounting position : Any
- * Surge overload rating: 200 Amperes peak
- * Ideal for printed circuit boards
- * MSL: Level 2

MECHANICAL DATA

- * UL listed the recognized component directory, file #E94233
- * Epoxy: Device has UL flammability classification 94V-0

MAXIMUM RATINGS AND ELECTRICAL CHARACTERISTICS

Ratings at 25 °C ambient temperature unless otherwise specified.
resistive or inductive load.



MAXIMUM CHARACTERISTICS (@ TA = 25°C unless otherwise noted)

| CHARACTERISTICS | SYMBOL | RS1001M | RS1002M | RS1003M | RS1004M | RS1005M | RS1006M | RS1007M | UNITS |
|--|----------------------------------|--------------|---------|---------|---------|---------|---------|---------|------------------|
| Maximum Recurrent Peak Reverse Voltage | V _{RRM} | 50 | 100 | 200 | 400 | 600 | 800 | 1000 | Volts |
| Maximum RMS Bridge Input Voltage | V _{RMS} | 35 | 70 | 140 | 280 | 420 | 560 | 700 | Volts |
| Maximum DC Blocking Voltage | V _{bc} | 50 | 100 | 200 | 400 | 600 | 800 | 1000 | Volts |
| Maximum Average Forward Rectified Output Current at T _c =100 degree with heatsink | I _o | 10 | | | | | | | Amps |
| Peak Forward Surge Current 8.3 ms single half sine-wave superimposed on rated load | I _{FSM} | 200 | | | | | | | Amps |
| Typical Current Square Time | i ² T | 165.9 | | | | | | | A ² S |
| Typical Thermal Resistance from junction to ambient | R _{θJA} | 22 | | | | | | | °C/W |
| Typical Thermal Resistance from junction to case | R _{θJC} | 1.0 | | | | | | | |
| Operating and Storage Temperature Range | T _J ,T _{STG} | -55 to + 150 | | | | | | | °C |

ELECTRICAL CHARACTERISTICS (@ TA = 25°C unless otherwise noted)

| CHARACTERISTICS | SYMBOL | RS1001M | RS1002M | RS1003M | RS1004M | RS1005M | RS1006M | RS1007M | UNITS |
|--|----------------|---------|---------|---------|---------|---------|---------|---------|-------|
| Maximum Forward Voltage Drop per element at 5.0A DC | V _F | 1.1 | | | | | | | Volts |
| Maximum Reverse Current at Rated DC Blocking Voltage per element | @TA=25 °C | 5.0 | | | | | | | μAmps |
| | @TC=100 °C | 0.2 | | | | | | | mAmps |

Note: "Fully ROHS compliant", "100% Sn plating (Pb-free)".

2014-09
REV: A

RATING AND CHARACTERISTICS CURVES (RS1001M THRU RS1007M)

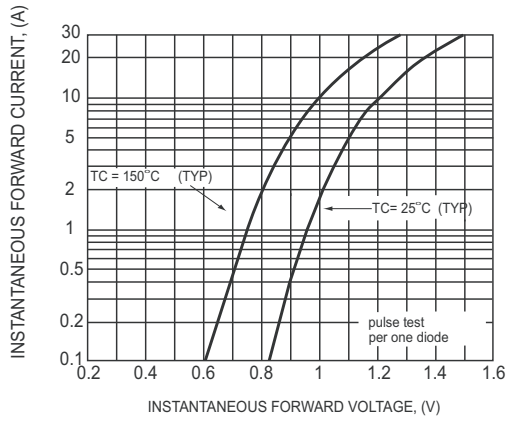


FIG.1 TYPICAL INSTANTANEOUS FORWARD CHARACTERISTICS

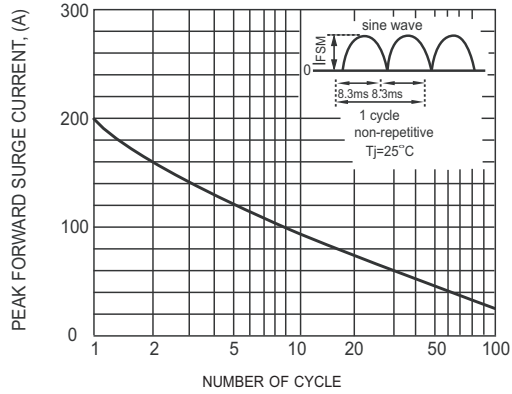


FIG.2 SURGE FORWARD CURRENT CAPABILITY

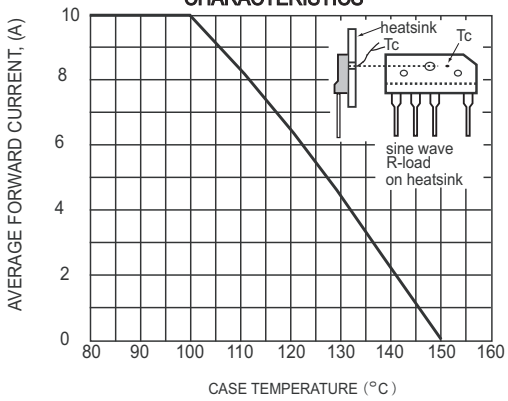


FIG.3 TYPICAL FORWARD CURRENT DERATING CURVE

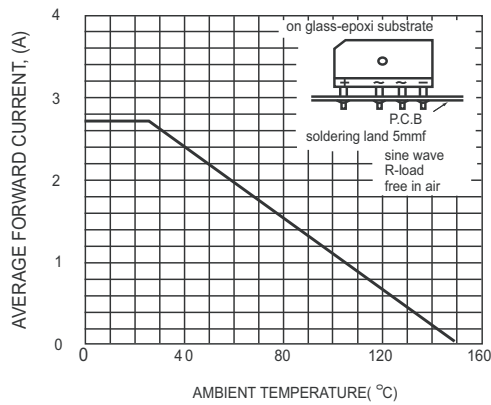


FIG.4 TYPICAL FORWARD CURRENT DERATING CURVE

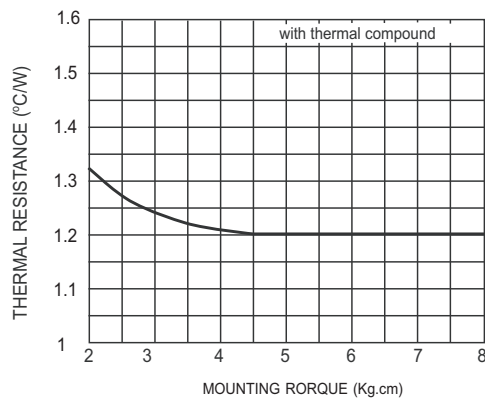
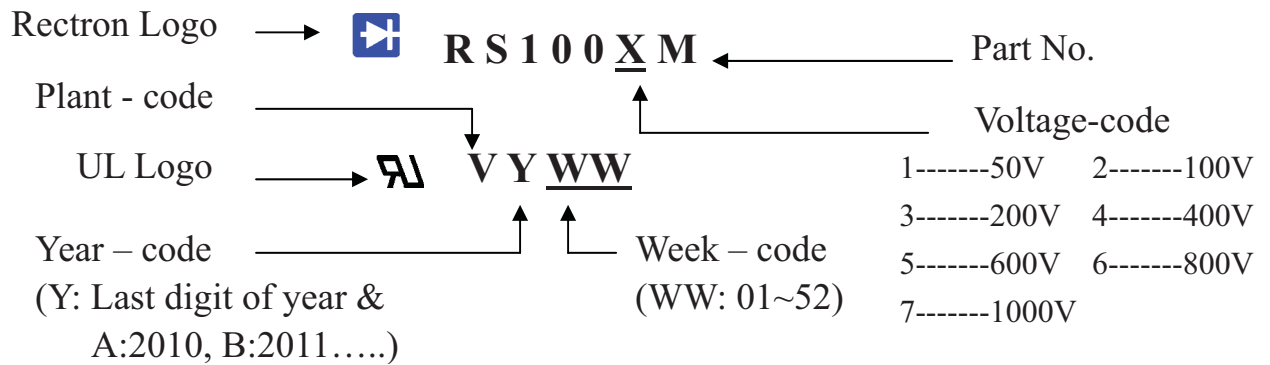


FIG.5 CONTACT THERMAL RESISTANCE

Marking Description



PACKAGING OF DIODE AND BRIDGE RECTIFIERS

TUBE PACK

| PACKAGE | PACKING CODE | EA PER BOX | INNER BOX SIZE (mm) | CARTON SIZE (mm) | EA PER CARTON | WEIGHT(Kg) |
|------------|--------------|------------|------------------------|---------------------|---------------|------------|
| RS-4M/-10M | -C | 900 | 540*118*118 | 560*259*144 | 1,800 | 12.82 |

DISCLAIMER NOTICE

Rectron Inc reserves the right to make changes without notice to any product specification herein, to make corrections, modifications, enhancements or other changes. Rectron Inc or anyone on its behalf assumes no responsibility or liability for any errors or inaccuracies. Data sheet specifications and its information contained are intended to provide a product description only. "Typical" parameters which may be included on RECTRON data sheets and/ or specifications can and do vary in different applications and actual performance may vary over time. Rectron Inc does not assume any liability arising out of the application or use of any product or circuit.

Rectron products are not designed, intended or authorized for use in medical, life-saving implant or other applications intended for life-sustaining or other related applications where a failure or malfunction of component or circuitry may directly or indirectly cause injury or threaten a life without expressed written approval of Rectron Inc. Customers using or selling Rectron components for use in such applications do so at their own risk and shall agree to fully indemnify Rectron Inc and its subsidiaries harmless against all claims, damages and expenditures.