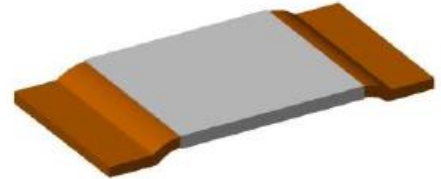


## Chip Shunt Resistor

### Features

- 7W up to 180A at 0.2mΩ
- Max. soldering temperatures of up to 350°C/30 sec. or 250°C/10 min
- Heavy copper connectors
- Excellent long-time stability and low inductance
- Mounting using re-flow soldering or welding on copper
- RoHS compliant and Halogen Free

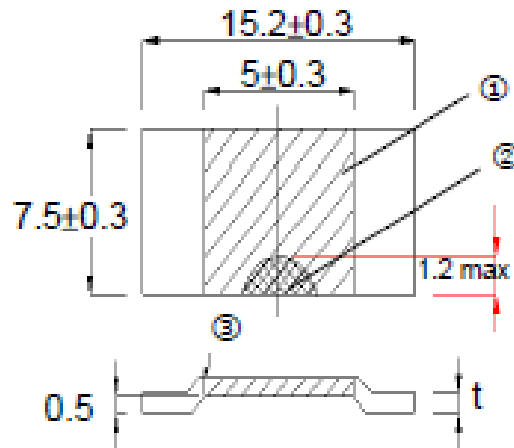


**HALOGEN  
FREE**

### Applications

- Current sensors for hybrid power sources
- Frequency converters
- High current automotive

### Constructions



1-Resistance Material	2-Trimming Area	3-Electron Beam Welding
-----------------------	-----------------	-------------------------

### Dimensions (in mm)

Type	Size Inch (mm)	Value	Material	Thickness (t)	Average Weight (g)
RS7WE6030	6030(15075)	0.2mΩ	Manganin	1.50 ± 0.05	0.59
RS6WF6030		0.5mΩ	Manganin	0.56 ± 0.05	0.59
RS6WL6030		1mΩ	NiCr alloy	0.90 ± 0.05	0.94
RS4WL6030		2mΩ	NiCr alloy	0.45 ± 0.05	0.47
RS3.5WL6030		3mΩ	NiCr alloy	0.30 ± 0.05	0.32

### Marking Code

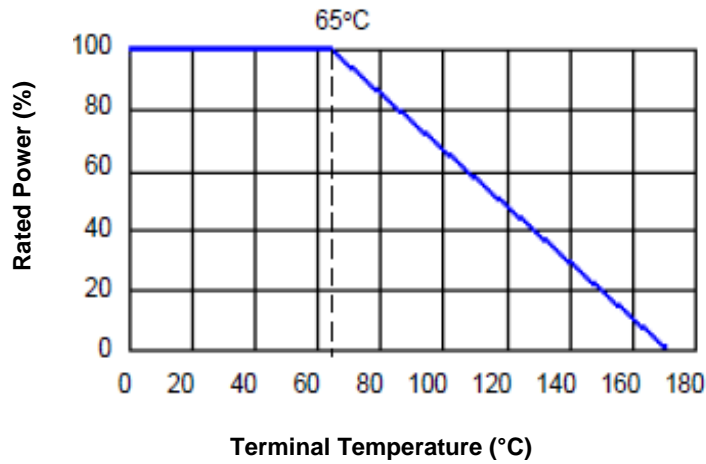


M: Manganin



N: NiCr alloy

### Derating Curve



### Standard Electrical Characteristics

Type	Size Inch (mm)	Power Rating	TCR (ppm/°C) (+20~+150°C)	Resistance Range			Operating Temperature Range
				±1%	±2%	±5%	
RS7WE6030	6030(15075)	7W	±50	0.2mΩ			-55°C~+170°C
RS6WF6030		6W	±100	0.5mΩ			
RS6WL6030		6W	±120	1mΩ			
RS4WL6030		4W	±120	2mΩ			
RS3.5WL6030		3.5W	±120	3mΩ			

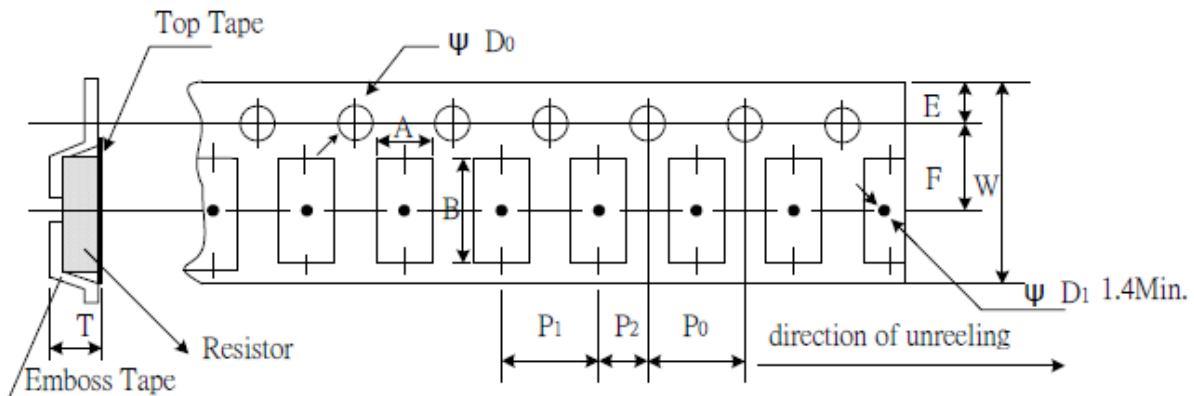
### Environmental Characteristics

Test Item	Test Method	Requirement
Short Time Overload	Rated Power x 5 for 5 seconds	±0.2%
Load Life (Terminal temp. max. 105°C)	Power rating 90 min. "ON" , 30 min. "OFF" for 2000 hours	±1.0%
Resistance to Soldering Heat	350°C for 30 seconds or 250°C for 10 min.	±0.2%
Thermal Shock	-65°C, 25°C, 125°C, 25°C, 25 cycles	±0.1%
Moisture Resistance	90~98%RH, +25°C, +65°C, -10°C, 10 cycles	±0.2%
High Temperature Exposure	140°C for 250 hours	±0.2%
Vibration, High Frequency	15g 10~2000Hz, 36 cycles	±0.2%
Inductance	-	<3nH

**Note:** Storage Temperature: 25±3°C, Humidity < 80%RH

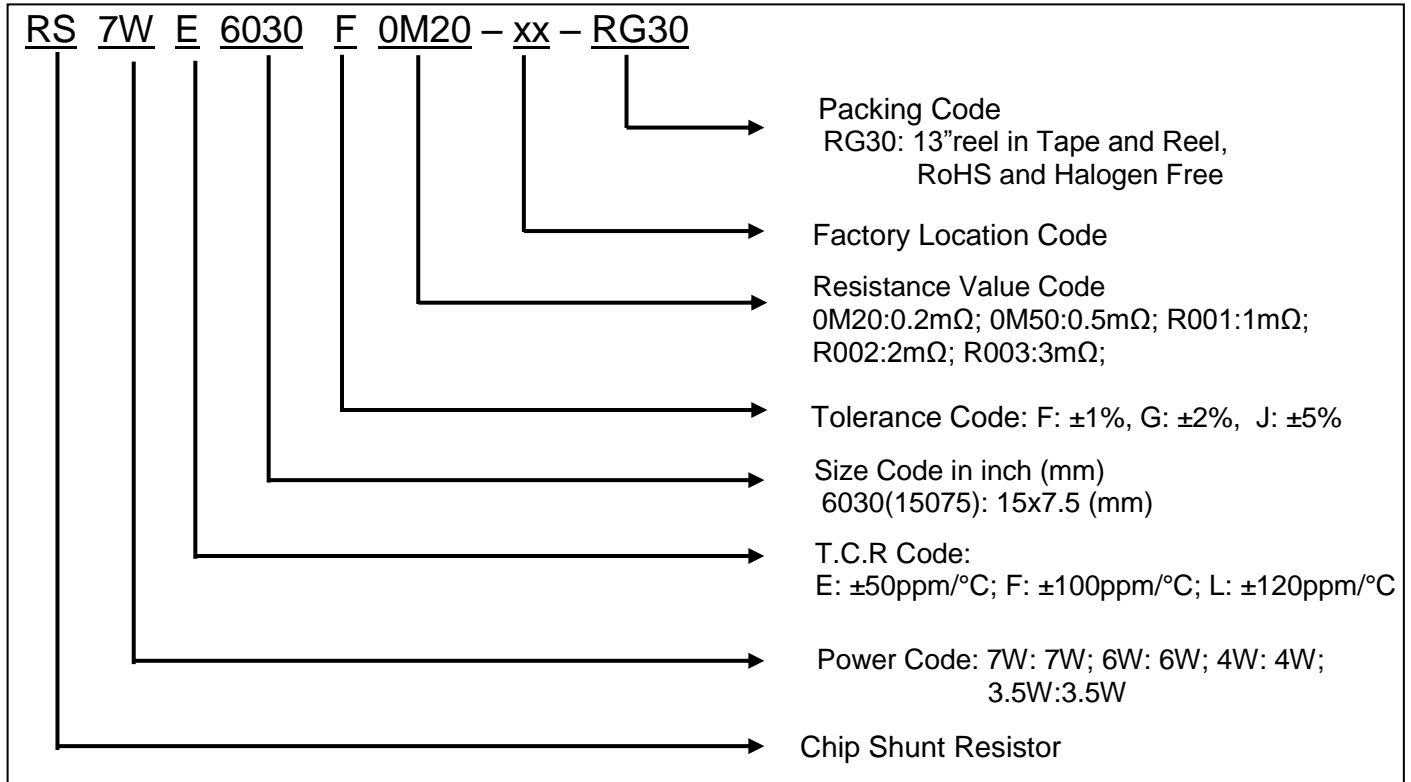
### Packing Information:

#### Embossed Plastic Tape Dimensions (in mm)



A	B	W	E	F	P0	P1	P2	ψD0	T	Quantity (pc)
8.2	16.1	24	1.75	11.5	4	12	6	1.50	1.9	2000

### How to Order



### How to contact us

#### USA HEADQUARTERS

28040 WEST HARRISON PARKWAY, VALENCIA, CA 91355-4162

Tel: (800)-TAITRON (800)-824-8766 (661)-257-6060

Fax: (800)-TAITFAX (800)-824-8329 (661)-257-6415

Email: [taitron@taitroncomponents.com](mailto:taitron@taitroncomponents.com)

Http://[www.taitroncomponents.com](http://www.taitroncomponents.com)

#### TAITRON COMPONENTS INCORPORATED TAIWAN BRANCH

6F., NO.190, SEC. 2, ZHONGXING RD., XINDIAN DIST., NEW TAIPEI CITY 23146, TAIWAN R.O.C.

Tel: 886-2-2913-6238

Fax: 886-2-2913-6239

#### TAITRON COMPONENT TECHNOLOG SHANGHAI CORPORATION

SUITE 1503, METROBANK PLAZA, 1160 WEST YAN'AN ROAD, SHANGHAI, 200052, CHINA

Tel: +86-21-5424-9942