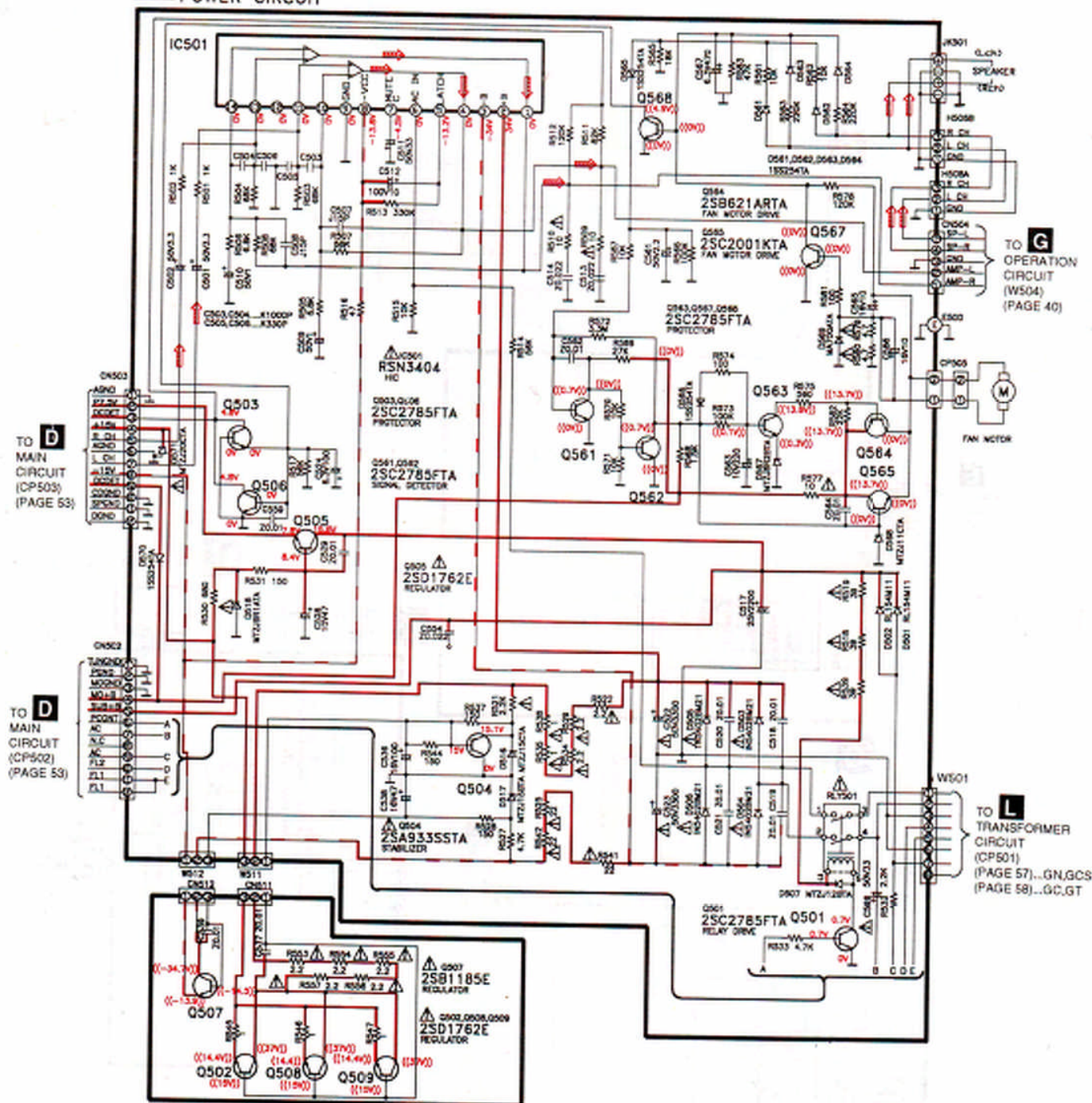


K POWER CIRCUIT

Q REGULATOR TRANSISTOR CIRCUIT

L TRANSFORMER CIRCUIT FOR GN/GCS

U POWER SWITCH CIRCUIT
