



■ Features :

- Universal AC input / Full range
- Built-in active PFC function
- Protections: Short circuit / Overload / Over voltage / Over temperature
- Cooling by free air convection
- Built-in constant current limiting circuit
- 1U low profile 30mm
- Remote ON-OFF control
- LED indicator for power on
- Over Voltage category III
- 100% full load burn-in test
- 3 years warranty

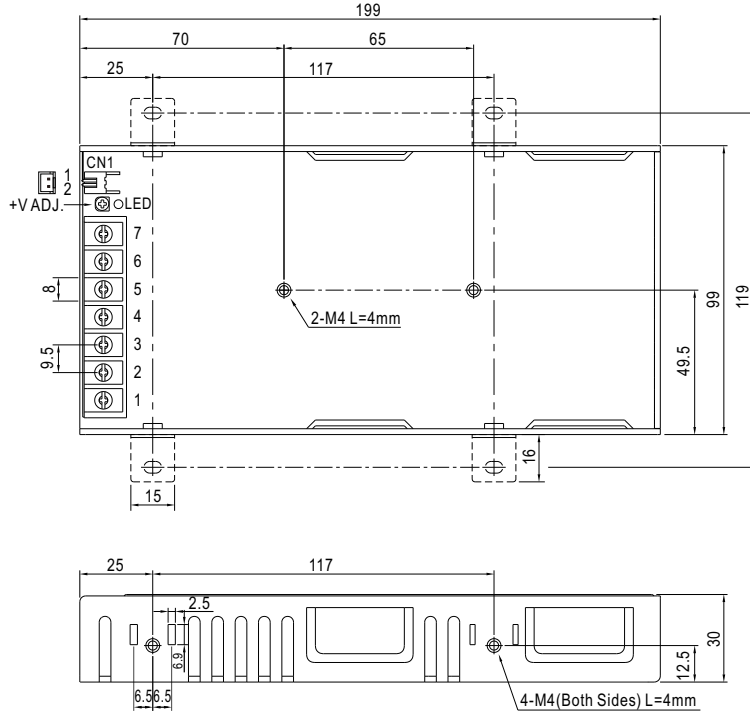


SPECIFICATION

| MODEL                 |   | RSP-150-3.3   | RSP-150-5   | RSP-150-7.5                 | RSP-150-12   | RSP-150-13.5   | RSP-150-15    | RSP-150-24   | RSP-150-27    | RSP-150-48   |  |
|-----------------------|---|---|-------------|-----------------------------|--------------|----------------|---------------|--------------|---------------|--------------|--|
| OUTPUT                | DC VOLTAGE  | 3.3V  | 5V          | 7.5V                        | 12V          | 13.5V          | 15V           | 24V          | 27V           | 48V          |  |
|                       | RATED CURRENT   | 30A   | 30A         | 20A                         | 12.5A        | 11.2A          | 10A           | 6.3A         | 5.6A          | 3.2A         |  |
|                       | CURRENT RANGE   | 0 ~ 30A   | 0 ~ 30A     | 0 ~ 20A                     | 0 ~ 12.5A    | 0 ~ 11.2A      | 0 ~ 10A       | 0 ~ 6.3A     | 0 ~ 5.6A      | 0 ~ 3.2A     |  |
|                       | RATED POWER   | 99W   | 150W        | 150W                        | 150W         | 151.2W         | 150W          | 151.2W       | 151.2W        | 153.6W       |  |
|                       | RIPPLE & NOISE (max.) Note.2  | 100mVp-p  | 100mVp-p    | 100mVp-p                    | 100mVp-p     | 100mVp-p       | 100mVp-p      | 150mVp-p     | 150mVp-p      | 250mVp-p     |  |
|                       | VOLTAGE ADJ. RANGE  | 3.14 ~ 3.63V  | 4.75 ~ 5.5V | 7.13 ~ 8.25V                | 11.4 ~ 13.2V | 12.8 ~ 14.9V   | 14.3 ~ 16.5V  | 22.8 ~ 26.4V | 25.7 ~ 29.7V  | 45.6 ~ 52.8V |  |
|                       | VOLTAGE TOLERANCE Note.3  | ±2.0%   | ±2.0%       | ±2.0%                       | ±2.0%        | ±2.0%          | ±2.0%         | ±1.0%        | ±1.0%         | ±1.0%        |  |
|                       | LINE REGULATION   | ±0.5%   | ±0.5%       | ±0.5%                       | ±0.5%        | ±0.5%          | ±0.5%         | ±0.5%        | ±0.5%         | ±0.5%        |  |
|                       | LOAD REGULATION   | ±1.0%   | ±1.0%       | ±1.0%                       | ±0.5%        | ±0.5%          | ±0.5%         | ±0.5%        | ±0.5%         | ±0.5%        |  |
|                       | SETUP, RISE TIME  | 600ms, 30ms at full load  |             |                             |              |                |               |              |               |              |  |
| HOLD UP TIME (Typ.)   | 16ms at full load   |   |             |                             |              |                |               |              |               |              |  |
| INPUT                 | VOLTAGE RANGE Note.5  | 85 ~ 264VAC   |             | 120 ~ 370VDC                |              |                |               |              |               |              |  |
|                       | FREQUENCY RANGE   | 47 ~ 63Hz   |             |                             |              |                |               |              |               |              |  |
|                       | POWER FACTOR (Typ.)   | PF>0.93/230VAC  |             | PF>0.98/115VAC at full load |              |                |               |              |               |              |  |
|                       | EFFICIENCY (Typ.)   | 81.5%   | 87%         | 88.5%                       | 90%          | 87.5%          | 88.5%         | 89%          | 89.5%         | 90%          |  |
|                       | AC CURRENT (Typ.)   | 1.6A/115VAC   |             | 0.8A/230VAC                 |              |                |               |              |               |              |  |
|                       | INRUSH CURRENT (Typ.)   | COLD START 45A/230VAC   |             |                             |              |                |               |              |               |              |  |
|                       | LEAKAGE CURRENT   | <2mA / 240VAC   |             |                             |              |                |               |              |               |              |  |
| PROTECTION            | OVERLOAD  | 105 ~ 135% rated output power<br>Protection type : Constant current limiting, recovers automatically after fault condition is removed |             |                             |              |                |               |              |               |              |  |
|                       | OVER VOLTAGE  | 3.63 ~ 4.46V  | 5.5 ~ 6.75V | 8.25 ~ 10.13V               | 13.2 ~ 16.2V | 14.85 ~ 18.2V  | 16.5 ~ 20.25V | 26.4 ~ 32.4V | 29.7 ~ 36.45V | 52.8 ~ 64.8V |  |
|                       |   | Protection type : Shut down o/p voltage, re-power on to recover   |             |                             |              |                |               |              |               |              |  |
|                       | OVER TEMPERATURE  | Protection type : Shut down o/p voltage, recovers automatically after temperature goes down   |             |                             |              |                |               |              |               |              |  |
| FUNCTION              | REMOTE CONTROL  | CN1: < 0~0.8VDC POWER ON , 4~10VDC POWER OFF  |             |                             |              |                |               |              |               |              |  |
| ENVIRONMENT           | WORKING TEMP.   | -30 ~ +70°C (Refer to "Derating Curve")   |             |                             |              |                |               |              |               |              |  |
|                       | WORKING HUMIDITY  | 20 ~ 90% RH non-condensing  |             |                             |              |                |               |              |               |              |  |
|                       | STORAGE TEMP., HUMIDITY   | -40 ~ +85°C, 10 ~ 95% RH non-condensing   |             |                             |              |                |               |              |               |              |  |
|                       | TEMP. COEFFICIENT   | ±0.05%/°C (0 ~ 50°C)  |             |                             |              |                |               |              |               |              |  |
|                       | VIBRATION   | 10 ~ 500Hz, 2G 10min./1cycle, 60min. each along X, Y, Z axes  |             |                             |              |                |               |              |               |              |  |
|                       | OVER VOLTAGE CATEGORY   | III , According to EN61558, EN50178, altitude up to 2000 meters   |             |                             |              |                |               |              |               |              |  |
| SAFETY & EMC (Note 4) | SAFETY STANDARDS  | UL60950-1, UL62368-1, TUV EN60950-1, EN61558-1, EN61558-2-16, CCC GB4943 approved   |             |                             |              |                |               |              |               |              |  |
|                       | WITHSTAND VOLTAGE   | I/P-O/P:3.75KVAC  |             | I/P-FG:2KVAC                |              | O/P-FG:0.5KVAC |               |              |               |              |  |
|                       | ISOLATION RESISTANCE  | I/P-O/P, I/P-FG, O/P-FG:100M Ohms / 500VDC / 25°C/ 70% RH   |             |                             |              |                |               |              |               |              |  |
|                       | EMC EMISSION  | Compliance to EN55032 (CISPR32) Class B, EN61000-3-2,-3, GB9254 class B   |             |                             |              |                |               |              |               |              |  |
|                       | EMC IMMUNITY  | Compliance to EN61000-4-2,3,4,5,6,8,11, EN55024, light industry level, criteria A   |             |                             |              |                |               |              |               |              |  |
| OTHERS                | MTBF  | 290.7K hrs min. MIL-HDBK-217F (25°C)  |             |                             |              |                |               |              |               |              |  |
|                       | DIMENSION   | 199*99*30mm (L*W*H)   |             |                             |              |                |               |              |               |              |  |
|                       | PACKING   | 0.6Kg; 24pcs/15.4Kg/0.92CUFT  |             |                             |              |                |               |              |               |              |  |
| NOTE                  | <ol style="list-style-type: none"> <li>All parameters NOT specially mentioned are measured at 230VAC input, rated load and 25°C of ambient temperature.</li> <li>Ripple &amp; noise are measured at 20MHz of bandwidth by using a 12" twisted pair-wire terminated with a 0.1uf &amp; 47uf parallel capacitor.</li> <li>Tolerance : includes set up tolerance, line regulation and load regulation.</li> <li>The power supply is considered a component which will be installed into a final equipment. The final equipment must be re-confirmed that it still meets EMC directives. For guidance on how to perform these EMC tests, please refer to "EMI testing of component power supplies."</li> <li>Derating may be needed under low input voltages. Please check the derating curve for more details.</li> <li>Strongly recommended that external output capacitance should not exceed 5000uF. (Only for: RSP-150-3.3/-5/-7.5/-12) (as available on <a href="http://www.meanwell.com">http://www.meanwell.com</a>)</li> </ol> |   |             |                             |              |                |               |              |               |              |  |

Case No. 215A Unit:mm

■ Mechanical Specification



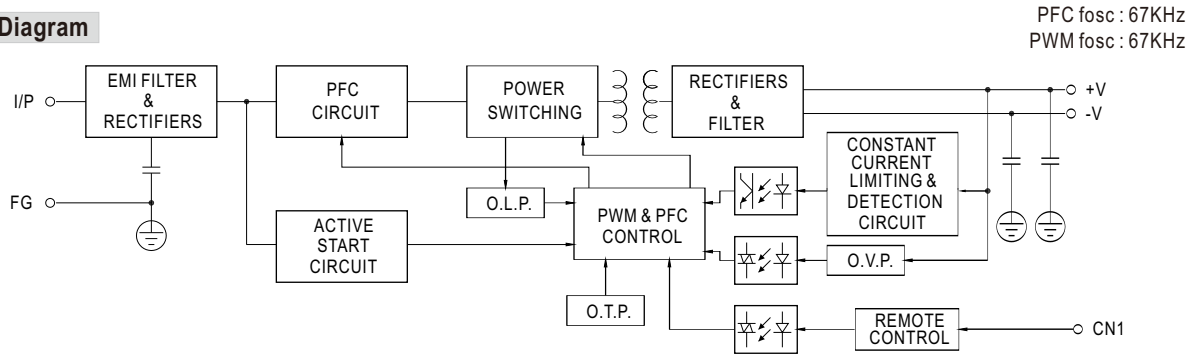
Terminal Pin No. Assignment

| Pin No. | Assignment | Pin No. | Assignment   |
|---------|------------|---------|--------------|
| 1       | AC/L       | 4,5     | DC OUTPUT -V |
| 2       | AC/N       | 6,7     | DC OUTPUT +V |
| 3       | FG         |         |              |

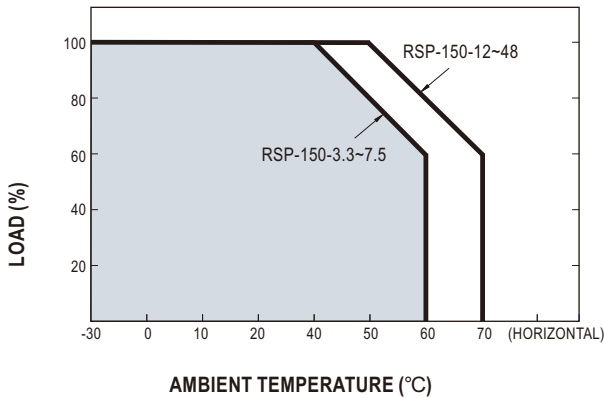
Remote ON/OFF(CN1):JST B-XH or equivalent(optional)

| Pin No. | Assignment | Mating Housing        | Terminal                   |
|---------|------------|-----------------------|----------------------------|
| 1       | RC+        | JST XHP or equivalent | JST SXH-001T or equivalent |
| 2       | RC-        |                       |                            |

■ Block Diagram



■ Derating Curve



■ Output Derating VS Input Voltage

