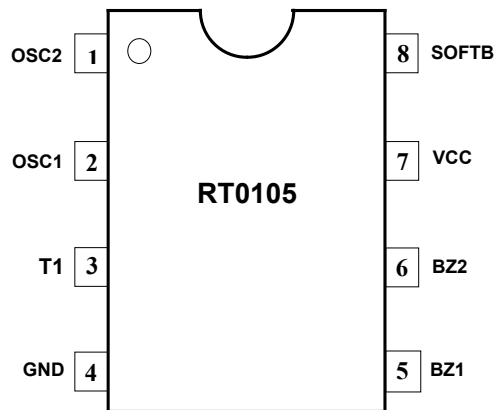


**SINGLE TONE SIREN/ALARM SOUND
GENERATOR WITH SOFT CHIRP**

The RT0105 is a CMOS design for single tone alarm sound application. The SOFT CHIRP only be generated within 200ms of the first sound.

FEATURES :

1. Auto Power down function.
2. Low Operating Voltage 3V~5V.
3. CMOS process.
4. On-chip RC oscillator.
5. Low stand by current.
6. 200 ms SOFT CHIRP

PIN DIAGRAM**PIN OUT AND DESCRIPTION**

Symbol	Description	PIN	I/P, O/P
OSC2	Oscillator pin	1	I/P
OSC1	Oscillator pin	2	O/P
T1	Test Pin	3	O/P
GND	Ground	4	
BZ1	Audio output	5	O/P
BZ2	Audio output	6	O/P
VCC	Power	7	
SOFTB	Vcc = Single Tone Open = Single Tone with 200 ms soft chirp.	8	I/P

ELECTRICAL CHARACTERISTICS

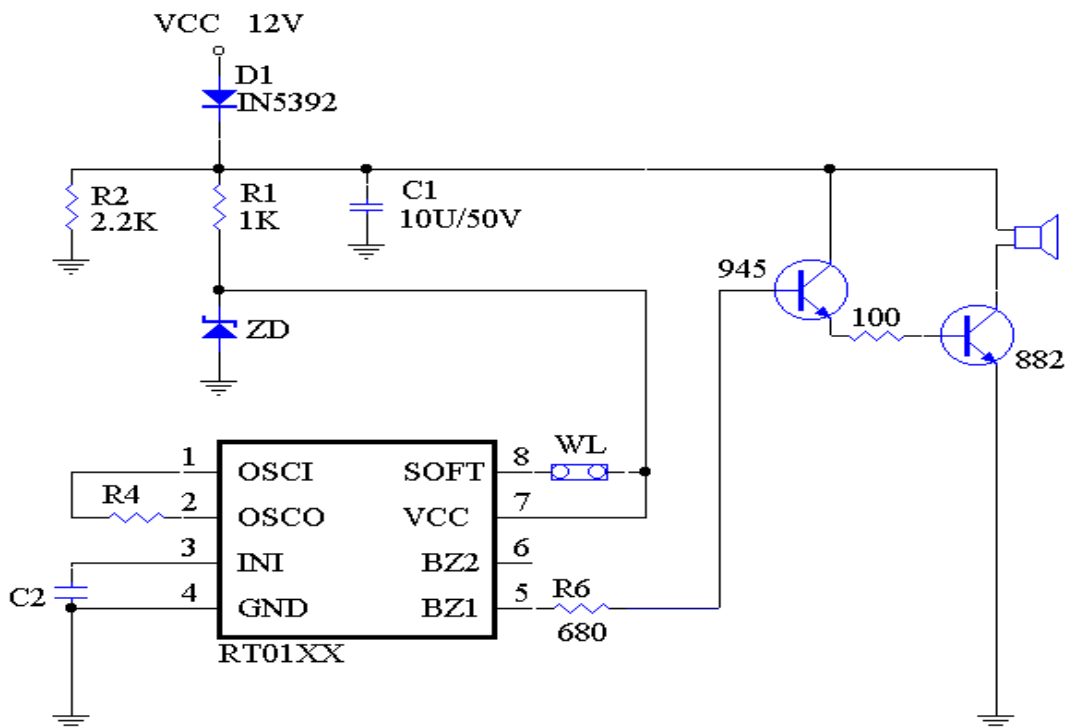
VCC=3V, Temp. =25°C

Parameter	Symbol	Min.	Typ.	Max.	Unit
Operating Voltage	VCC	3.0	4.0	5.0	V
Stand-By Current	I _{sb}		50	60	uA
Operating Current	I _{op}		300	500	uA
BZ1, BZ2	I _{oh}	1.0			mA
Driving Current	I _{ol}	1.0			mA
Operating Frequency	F _{op}		128		K Hz

ABSOLUTE MAXIMUM RATINGS

Symbol	Parameter	Rating	Unit
VCC	Supply Voltage	-0.3 ~ 6	V
V _i	Input Voltage	-0.3 ~ V _{cc} +0.3	V
V _o	Output Voltage	-0.3 ~ V _{cc} +0.3	V
T _{st}	Storage Temperature	-40 ~ 125	°C
T _{tp}	Operating Temperature	0 ~ 65	°C

APPLICATION CIRCUIT



I C TYPE	ZD	R4	C2
RT0100/0102/0103	2.7V	100K	103
RT0104/0105/0106	4.7V	160K	N.C
RT0608/0610	3.3V	82K	103

