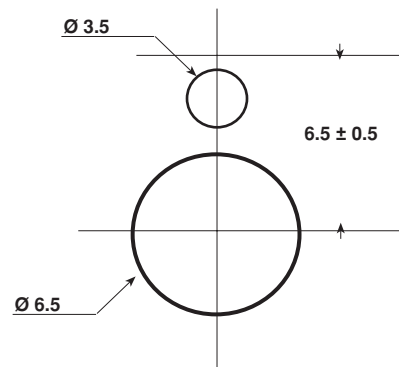
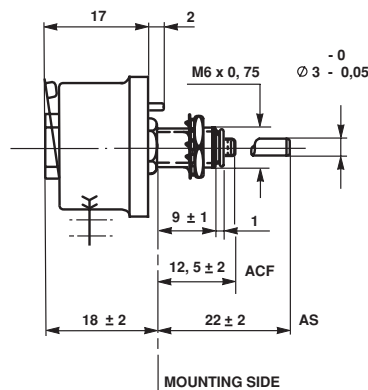
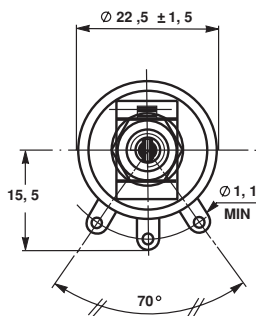


Wirewound Rheostat/Potentiometer


FEATURES

- 12 Watt at 25°C
- CCTU 05-03B (PA9)
- Vitreous RT12 and Laquered RTE12 styles

DIMENSIONS in millimeters

RT12-PA9
PANEL CUT OUT DETAILS

MECHANICAL SPECIFICATIONS

| | |
|------------------------------|----------------------------------|
| Mechanical Protection | RT12 vitreous RTE12 lacquered |
| Mechanical Travel | 290° + 15° - 10° |
| Operating Torque | 1 to 10 Ncm |
| End Stop Torque | 25 Ncm |
| Unit Weight | 18.3 g |

ENVIRONMENTAL SPECIFICATIONS

| | |
|--------------------------|---|
| Temperature Range | RT12 - 55°C + 320°C RTE12 - 55°C + 220°C |
| Climatic Category | CCTU 454 CEI 55 / 200 / 56 |

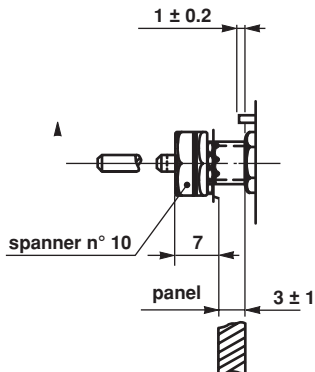
ELECTRICAL SPECIFICATIONS

| Ohmic Range | RT12 | RTE12 |
|---------------------------------|----------------------------|------------------|
| | 1Ω to 2.2kΩ | > 2.2kΩ to 4.7kΩ |
| Tolerance Standard | ± 10% | |
| Power Rating | 12 W at 25°C | |
| Variation Law | linear | |
| Limiting Element Voltage | 300V | |
| Dielectric Strength | 1000VRMS | |
| Insulation Resistance | 10 ³ MΩ(500Vcc) | |

The spindle locking device can be fitted only to special units equipped with a slotted bushing.

Order reference : B.

LOCKING DEVICE



PARTICULAR CHARACTERISTICS

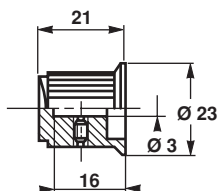
| NOMINAL RESISTANCE Ω | MAX. SERVICE VOLTAGE V | MAX. CURRENT THROUGH WIPER mA |
|-------------------------|---------------------------|----------------------------------|
| 1 | 3.46 | 3460 |
| 1.5 | 4.24 | 2830 |
| 2.2 | 5.14 | 2340 |
| 3.3 | 6.29 | 1910 |
| 4.7 | 7.51 | 1600 |
| 6.8 | 9.03 | 1330 |
| 10 | 11 | 1100 |
| 15 | 13.4 | 900 |
| 22 | 16.3 | 740 |
| 33 | 19.9 | 603 |
| 47 | 23.7 | 505 |
| 68 | 28.6 | 420 |
| 100 | 34.6 | 346 |
| 150 | 42.4 | 283 |
| 220 | 51.4 | 234 |
| 330 | 62.9 | 191 |
| 470 | 75.1 | 160 |
| 680 | 90.3 | 133 |
| 1 k | 110 | 110 |
| 1.5 k | 134 | 90 |
| 2.2 k | 163 | 74 |

SPINDLES

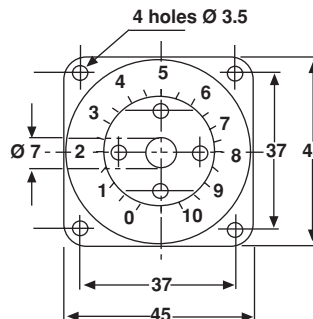
| Ø mm | DISTANCE TO MOUNTING PLATE MM | SCREW DRIVER SLOT | CODE |
|------|-------------------------------|-------------------|------|
| 3 | 12.5 | WITH | ACF |
| 3 | 22 | WITHOUT | AS |

For any special requirement on request : spindle flats, etc. Please supply detailed drawing.

COMMAND KNOB : 20JF (OPTION)



DIAL : CG45 (OPTION)



MARKING

SFERNICE trademark, series, style, ohmic value in Ω or kΩ, tolerance in %, maximum current in A, manufacturing date

ORDERING INFORMATION

| | | | | |
|--------------------|---------------|----------|--------------------------------------|--|
| VITREOUS LACQUERED | RT RTE SERIES | 12 STYLE | L SPINDLE LOCKING DEVICE Optional | AS 1.5KΩ ± 10% |
| | | | VARIATION LAW | SPECIAL DESIGN Method N° Optional |
| | | | | WINDING Optional SPINDLE (Code) for special spindles please supply detailed drawing |
| OPTIONS | ACC | 20JF | CG45 | XXX |
| | MODEL | KNOB | DIAL | OTHER SPECIAL REQUIREMENTS |