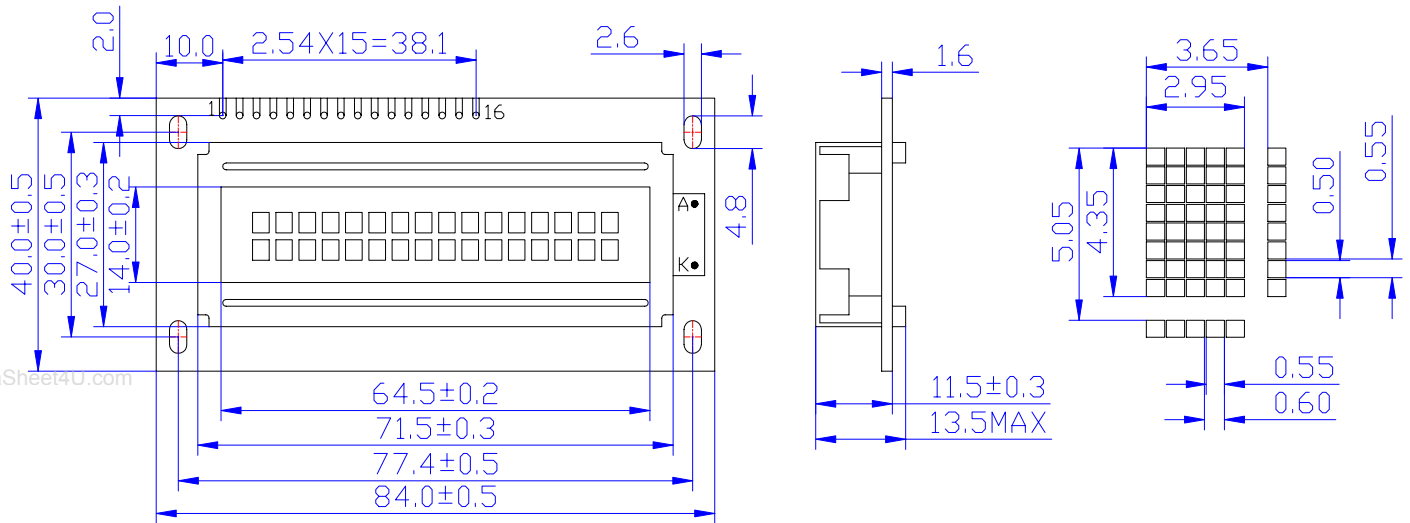


RT1602A

SHENZHEN RUIITE ELECTRONIC CO., LTD
 Address: 深圳市宝安区79区西乡流塘107国道1-3栋8楼
 Tel: 86-755-27931867, 27931884, 27931806, 27931875
 FAX: 86-755-27931864 Postcode: 518102
 E-Mail: ruite168@21cn.com Http://www.ruitelcd.com



MECHANICAL DATA

Item	Nominal Dimensions	Unit
Module Size(W×H×T)	84.0 × 40.0 × 13.5	mm
Viewing Area(W×H)	64.5 × 14.0	mm
Character Size(W×H)	2.95 × 4.35	mm
Dot Size(W×H)	0.55 × 0.50	mm

PIN CONNECTIONS

PIN	Symbol	Level	Function
1	VSS	—	GND(0V)
2	VDD	—	Supply Voltage for Logic(+5V)
3	V0	—	Power supply for LCD
4	RS	H/L	H: Data ; L: Instruction Code
5	R/W	H/L	H: Read ; L: Write
6	E	H/L	Enable Signal
7	DB0	H/L	Data Bus Line
8	DB1	H/L	
9	DB2	H/L	
10	DB3	H/L	
11	DB4	H/L	
12	DB5	H/L	
13	DB6	H/L	
14	DB7	H/L	
15	A	—	Backlight Power(+5V)
16	K	—	Backlight Power(0V)

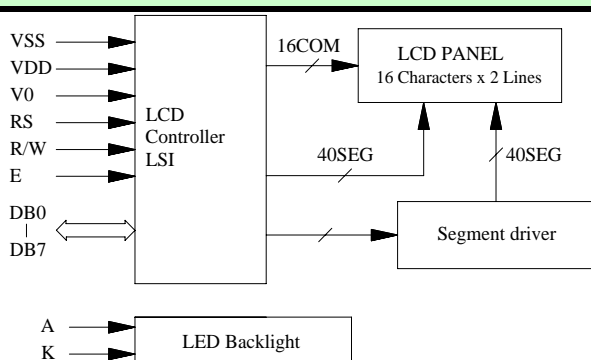
ABSOLUTE MAXIMUM RATINGS

Item	Symbol	Min	Type	Max	Unit
Operating Voltage	VDD	4.5	5.0	5.5	V
Operating Current	IDD	0.9	1.3	1.5	mA
LED Voltage	V _{LED}	4.5	5.0	5.5	V
LED Current	I _{LED}	90	155	220	mA
Operating Temp.	Topr	0	—	+50	
Storage Temp.	Tsto	-10	—	+60	

ELECTRICAL CHARACTERISTICS

Item	Symbol	Min	Type	Max	Unit
Input High Voltage	V _{IH}	2.2	—	VDD	V
Input Low Voltage	V _{IL}	0	—	0.6	V
Output High Voltage	V _{OH}	2.4	—	VDD	V
Output Low Voltage	V _{OL}	0	—	0.4	V

BLOCK DIAGRAM



POWER SUPPLY

