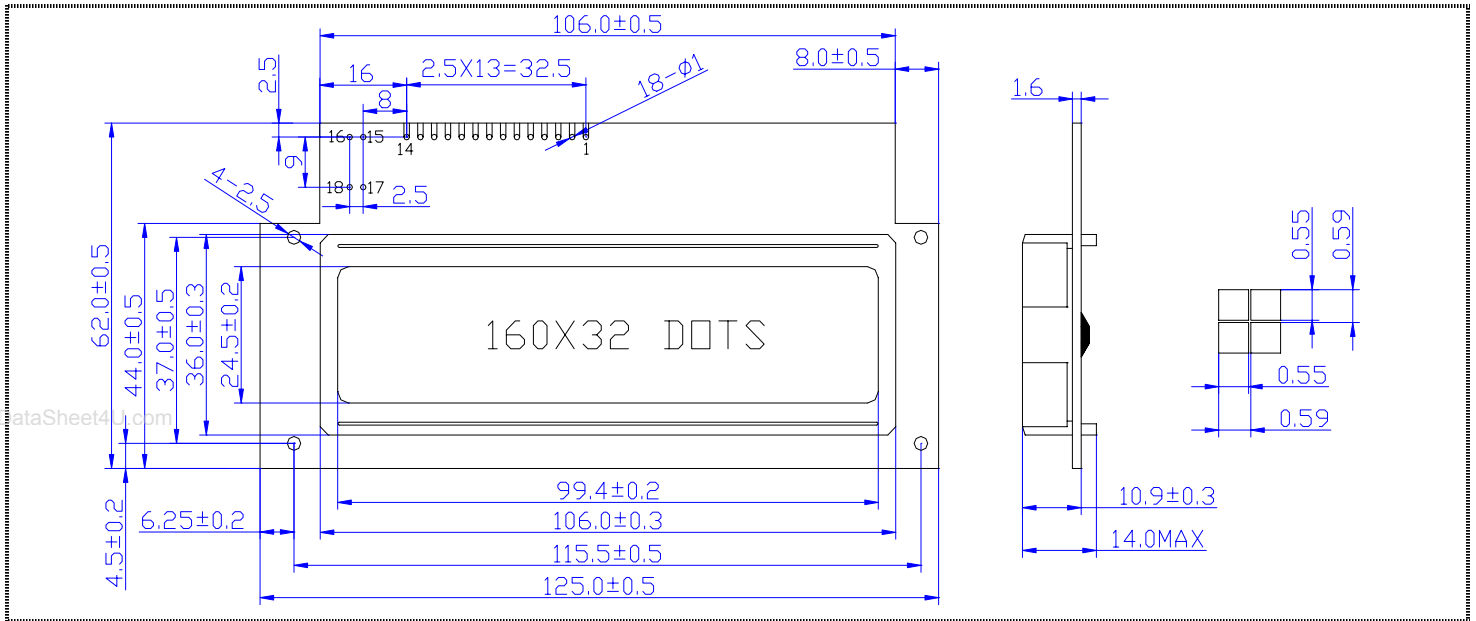


RT16032A

SHENZHEN RUIITE ELECTRONIC CO., LTD
 Address: 深圳市宝安区79区西乡流塘107国道1-3栋8楼
 Tel: 86-755-27931867, 27931884, 27931806, 27931875
 FAX: 86-755-27931864 Postcode: 518102
 E-Mail: ruite168@21cn.com Http://www.ruitelcd.com



MECHANICAL DATA		
Item	Nominal Dimensions	Unit
Module Size(W×H×T)	125.0 × 62.0 × 14.0	mm
Viewing Area(W×H)	99.4 × 24.5	mm
Dot Pitch(W×H)	0.59 × 0.59	mm
Dot Size(W×H)	0.55 × 0.55	mm

PIN CONNECTIONS			
PIN	Symbol	Level	Function
1	GND	—	GND(0V)
2	VDD	—	Supply Voltage for Logic(+5V)
3	YD	—	Power Supply for LCD
4	A0	H/L	H: Data ; L: Instruction Code
5	R/W	H/L	H: Read; L: Write
6	E	H	Enable input (Active HIGH)
7	DB0	H/L	Data Bus Line
8	DB1	H/L	
9	DB2	H/L	
10	DB3	H/L	
11	DB4	H/L	
12	DB5	H/L	
13	DB6	H/L	
14	DB7	H/L	
15	CS2	H/L	Enable signal: CS1=0,CS2=1:E1;
16	CS1	H/L	CS1=1,CS2=0:E2; CS1=0,CS2=0:E3;
17	A	—	Backlight Power (+5V)
18	K	—	Backlight Power (0V)

ABSOLUTE MAXIMUM RATINGS					
Item	Symbol	Min	Type	Max	Unit
Operating Voltage	VDD	4.5	5.0	5.5	V
Operating Current	IDD	0.8	0.9	1.0	mA
LED Voltage	V _{LED}	4.5	5.0	5.5	V
LED Current	I _{LED}	20	30	40	mA
Operating Temp.	T _{opr}	-20	—	+70	
Storage Temp.	T _{sto}	-30	—	+80	

ELECTRICAL CHARACTERISTICS					
Item	Symbol	Min	Type	Max	Unit
Input Hight Voltage	V _{IH}	2.0	—	VDD	V
Input Low Voltage	V _{IL}	0	—	0.8	V
Output Hight Voltage	V _{OH}	2.4	—	VDD	V
Output Low Voltage	V _{OL}	0	—	0.4	V

