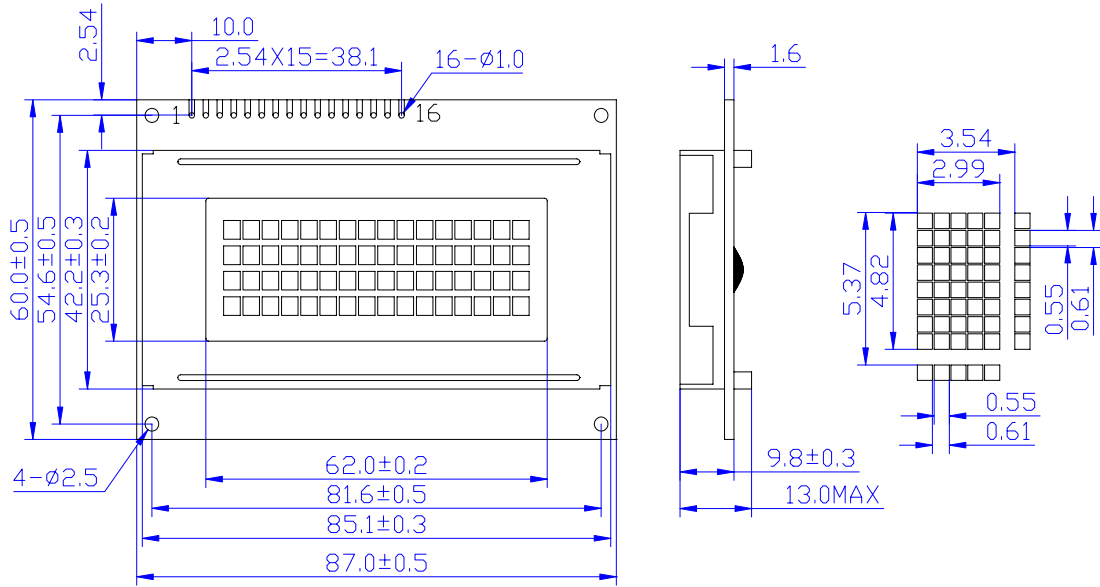


# RT1604

SHENZHEN RUIITE ELECTRONIC CO., LTD  
 Address: 深圳市宝安区79区西乡流塘107国道1-3栋8楼  
 Tel: 86-755-27931867, 27931884, 27931806, 27931875  
 FAX: 86-755-27931864 Postcode: 518102  
 E-Mail: ruite168@21cn.com Http://www.ruitelcd.com



## MECHANICAL DATA

Item	Nominal Dimensions	Unit
Module Size(W×H×T)	87.0 × 60.0 × 13.0	mm
Viewing Area(W×H)	62.0 × 25.3	mm
Character Size(W×H)	2.99 × 4.82	mm
Dot Size(W×H)	0.55 × 0.55	mm

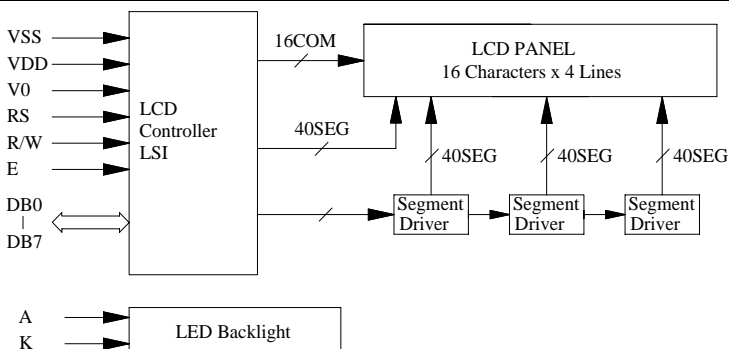
## ABSOLUTE MAXIMUM RATINGS

Item	Symbol	Min	Type	Max	Unit
Operating Voltage	VDD	4.5	5.0	5.5	V
Operating Current	IDD	1.3	1.5	2.0	mA
LED Voltage	V <sub>LED</sub>	4.5	5.0	5.5	V
LED Current	I <sub>LED</sub>	90	125	160	mA
Operating Temp.	T <sub>opr</sub>	0	—	+50	
Storage Temp.	T <sub>sto</sub>	-10	—	+60	

## ELECTRICAL CHARACTERISTICS

Item	Symbol	Min	Type	Max	Unit
Input High Voltage	V <sub>IH</sub>	2.2	—	VDD	V
Input Low Voltage	V <sub>IL</sub>	0	—	0.6	V
Output High Voltage	V <sub>OH</sub>	2.4	—	VDD	V
Output Low Voltage	V <sub>OL</sub>	0	—	0.4	V

## BLOCK DIAGRAM



## PIN CONNECTIONS

PIN	Symbol	Level	Function
1	VSS	—	GND(0V)
2	VDD	—	Supply Voltage for Logic(+5V)
3	V0	—	Power supply for LCD
4	RS	H/L	H: Data ; L: Instruction Code
5	R/W	H/L	H: Read ; L: Write
6	E	H/L	Enable Signal
7	DB0	H/L	Data Bus Line
8	DB1	H/L	
9	DB2	H/L	
10	DB3	H/L	
11	DB4	H/L	
12	DB5	H/L	
13	DB6	H/L	
14	DB7	H/L	
15	A	—	Backlight Power(+5V)
16	K	—	Backlight Power(0V)

## POWER SUPPLY

