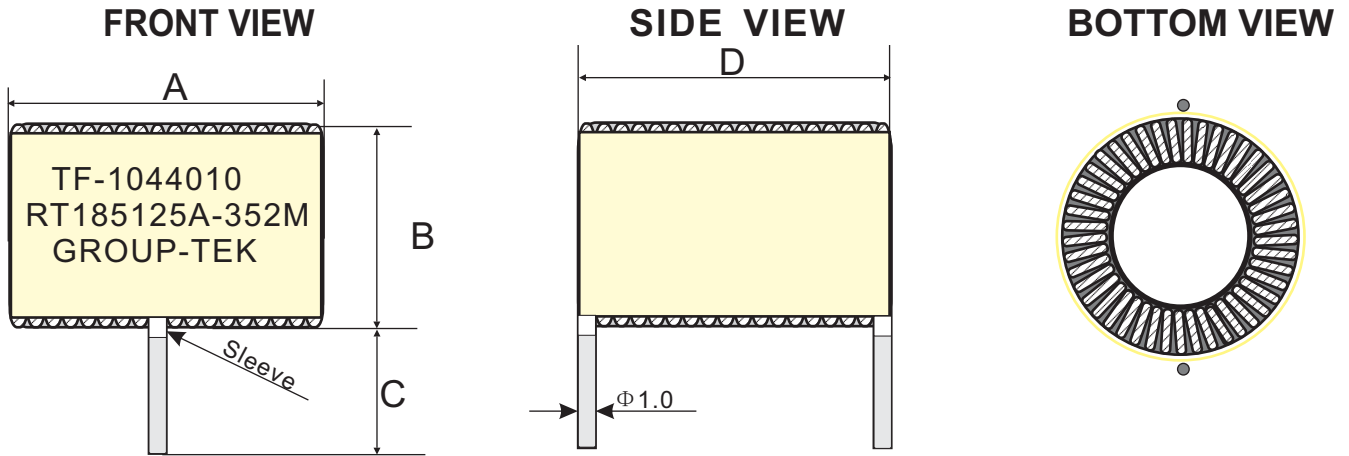
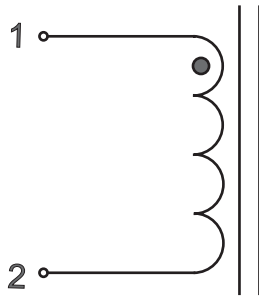


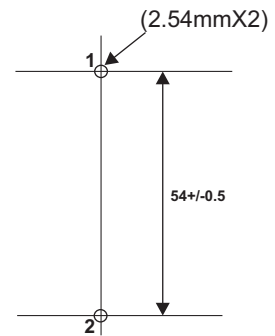
2. Mechanical Dimensions:



5. Schematic:



PCB LAYOUT



Unit: mm

A MAX.	B MAX.	C +/-2	D Max
54.5	41.5	10.0	54.5

3. Electrical Characteristics :

Specifications: at 25 degree C. Operating Temperature -40 to +85°C

NO.	ITEM	TEST CONDITION	SPECIFICATION
1	Inductance	(1-2) @1KHz,0.1V	3.5mH ±10%
2	DCR	(1-2) @25°C	201.0mΩMax.