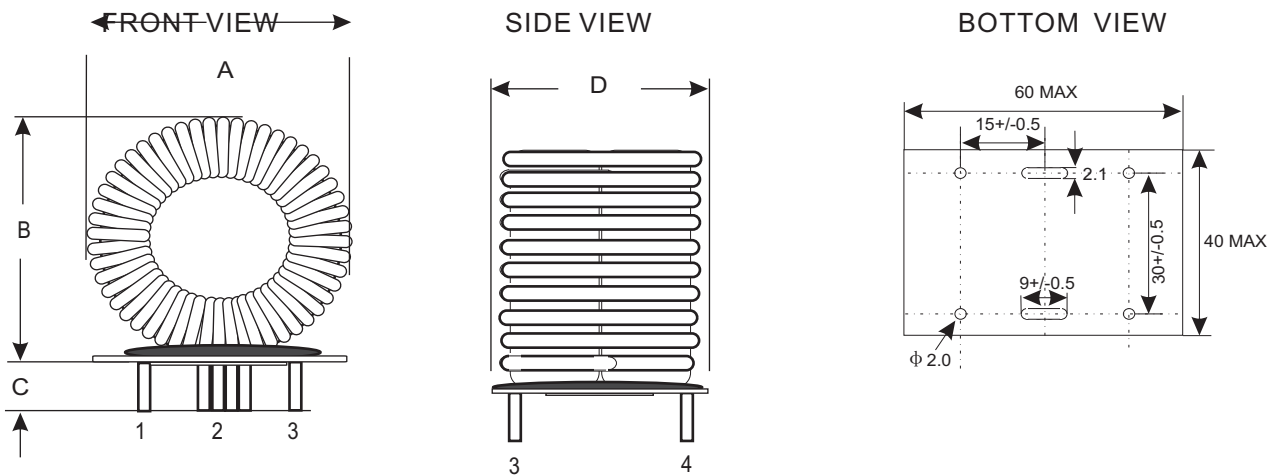


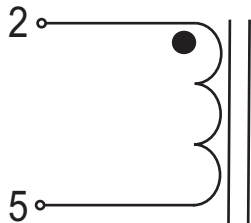
1. Mechanical Dimensions:



Unit: mm

A MAX	B MAX	C +/-0.5	D MAX
62	65	3.6	42

2.Schematic:



3.Electrical Characteristics :

Specifications: at 25 degree C. Operating Temperature -40 to +85°C

NO.	ITEM	TEST CONDITION	SPECIFICATION
1	Inductance	(2-5)@1kHz, 0.3Vac	60uH+/-10%
2	DCR	(2-5) @ 25°C	4.0 mΩ Max