

# RT320240A-3(BL)

SHENZHEN RUIE ELECTRONIC CO.,LTD

Address: 深圳市宝安区79区西乡流塘107国道1-3栋7、8楼

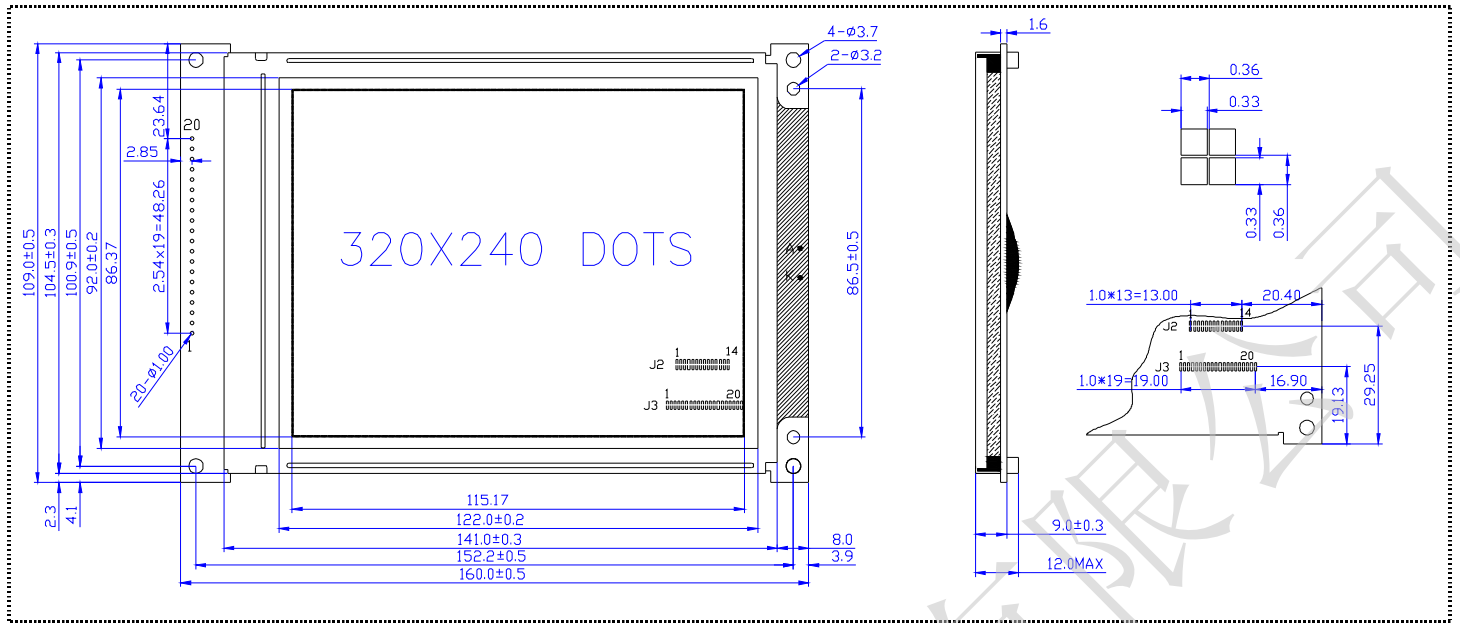
Tel: 86-755-27931867, 27931884, 27931806, 27931875

FAX: 86-755-27931864

Postcode: 518102

E-Mail: rt@ruitelcd.com

Http://www.ruitelcd.com



## MECHANICAL DATA

Item	Nominal Dimensions	Unit
Module Size(W×H×T)	160.0×109.0×12.0	mm
Viewing Area(W×H)	122.0×92.0	mm
Dot Pitch(W×H)	0.36×0.36	mm
Dot Size(W×H)	0.33×0.33	mm

## ABSOLUTE MAXIMUM RATINGS

Item	Symbol	Min	Type	Max	Unit
Operating Voltage	VDD	4.8	5.0	5.2	V
Operating Current	IDD	12.7	13.7	16.5	mA
LED Voltage	V <sub>LED</sub>	4.8	5.0	5.2	V
LED Current	I <sub>LED</sub>	90	120	150	mA
Operating Temp.	Topr	-20	—	+70	°C
Storage Temp.	Tsto	-30	—	+80	°C

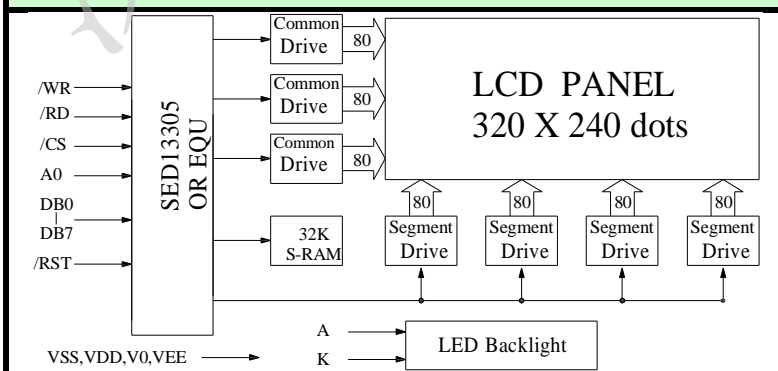
## ELECTRICAL CHARACTERISTICS

Item	Symbol	Min	Type	Max	Unit
Input High Voltage	V <sub>IH</sub>	0.5VDD	—	VDD	V
Input Low Voltage	V <sub>IL</sub>	0	—	0.2VDD	V
Output High Voltage	V <sub>OH</sub>	VDD-0.4	—	VDD	V
Output Low Voltage	V <sub>OL</sub>	0	—	0.4	V

## PIN CONNECTIONS

PIN	Symbol	Level	Function
1	VSS	—	GND(0V)
2	VDD	—	Supply Voltage for Logic(+5V)
3	V0	—	Power Supply for LCD
4	/WR	L	Command and data write signal
5	/RD	L	Data and status read signal
6	/CS	L	Chip Select signal
7	A0	H/L	Data type select
8	/RST	L	Reset Signal (Active LOW)
9	DB0	H/L	Data Bus Line
10	DB1	H/L	
11	DB2	H/L	
12	DB3	H/L	
13	DB4	H/L	
14	DB5	H/L	
15	DB6	H/L	
16	DB7	H/L	
17	NC	—	NO Connect
18	VOUT	—	Negative Voltage to LCD
19	A	—	Backlight Power (+5V)
20	K	—	Backlight Power (0V)

## BLOCK DIAGRAM



## POWER SUPPLY

