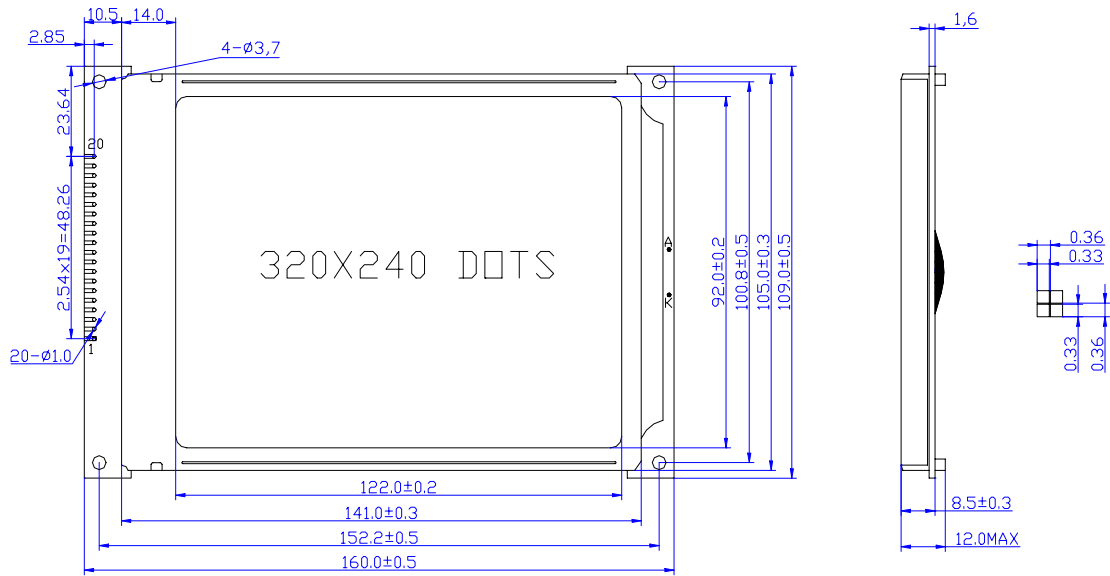


RT320240A



MECHANICAL DATA

Item	Nominal Dimensions	Unit
Module Size(W×H×T)	160.0 × 109.0 × 12.0	mm
Viewing Area(W×H)	122.0 × 92.0	mm
Dot Pitch(W×H)	0.36 × 0.36	mm
Dot Size(W×H)	0.33 × 0.33	mm

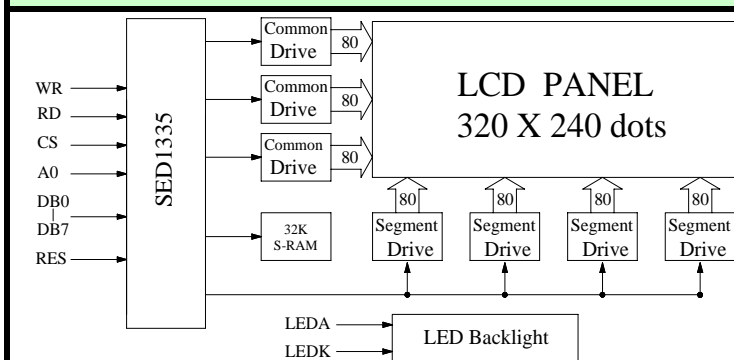
ABSOLUTE MAXIMUM RATINGS

Item	Symbol	Min	Type	Max	Unit
Operating Voltage	VDD	4.5	5.0	5.5	V
Operating Current	IDD	43	42	41	mA
LED Voltage	V _{LED}	4.5	5.0	5.5	V
LED Current	I _{LED}	90	120	150	mA
Operating Temp.	T _{opr}	-20	—	+70	
Storage Temp.	T _{sto}	-30	—	+80	

ELECTRICAL CHARACTERISTICS

Item	Symbol	Min	Type	Max	Unit
Input Hight Voltage	V _{IH}	0.8VDD	—	VDD	V
Input Low Voltage	V _{IL}	0	—	0.2VDD	V
Output Hight Voltage	V _{OH}	VDD-0.4	—	VDD	V
Output Low Voltage	V _{OL}	0	—	0.4	V

BLOCK DIAGRAM



PIN CONNECTIONS

PIN	Symbol	Level	Function
1	VSS	—	GND(0V)
2	VDD	—	Supply Voltage for Logic(+5V)
3	V0	—	Power Supply for LCD
4	WR	L	Command and data write signal
5	RD	L	Data and status read signal
6	CS	L	Chip Select signal
7	A0	H/L	H:Command; L:Data
8	RES	L	Reset Signal (Active LOW)
9	DB0	H/L	Data Bus Line
10	DB1	H/L	
11	DB2	H/L	
12	DB3	H/L	
13	DB4	H/L	
14	DB5	H/L	
15	DB6	H/L	
16	DB7	H/L	
17	NC	—	NO Connect
18	VOUT	—	Negative Voltage to LCD
19	LEDA	—	Backlight Power (+5V)
20	LEDK	—	Backlight Power (0V)

POWER SUPPLY

