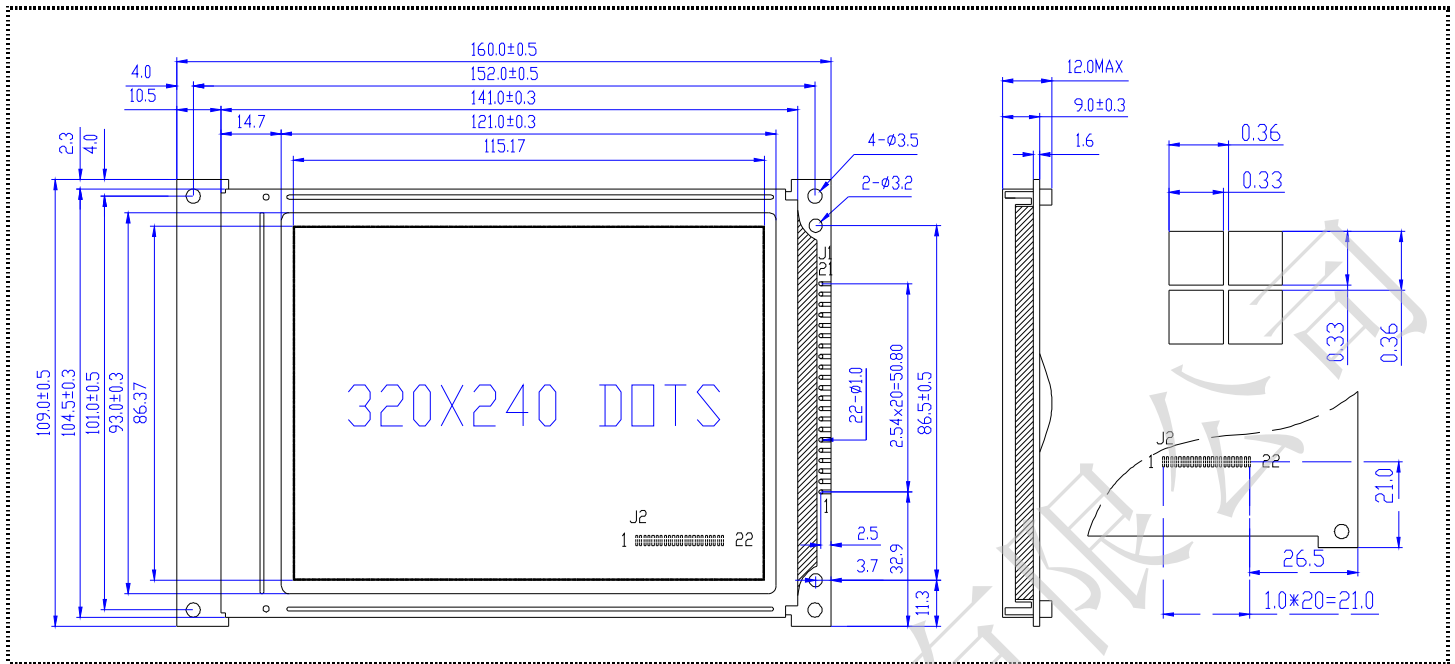


RT320240A-GB(BL)

SHENZHEN RUIITE ELECTRONIC CO., LTD
 Address: 深圳市宝安区79区西乡流塘107国道1-3栋7、8楼
 Tel: 86-755-27931867, 27931884, 27931806, 27931875
 FAX: 86-755-27931864 Postcode: 518102
 E-Mail: rt@ruitelcd.com Http://www.ruitelcd.com



MECHANICAL DATA

Item	Nominal Dimensions	Unit
Module Size(W×H×T)	160.0×109.0×12.0	mm
Viewing Area(W×H)	121.0×93.0	mm
Dot Pitch(W×H)	0.36×0.36	mm
Dot Size(W×H)	0.33×0.33	mm

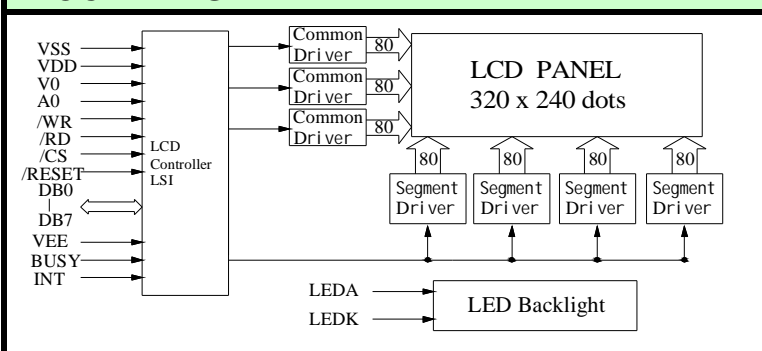
ABSOLUTE MAXIMUM RATINGS

Item	Symbol	Min	Type	Max	Unit
Operating Voltage	VDD	4.8	5.0	5.2	V
Operating Current	IDD	67.7	68.6	69.1	mA
LED Voltage	V _{LED}	4.8	5.0	5.2	V
LED Current	I _{LED}	100	127	157	mA
Operating Temp	T _{opr}	-20	—	+70	°C
Storage Temp	T _{sto}	-30	—	+80	°C

ELECTRICAL CHARACTERISTICS

Item	Symbol	Min	Type	Max	Unit
Input High Voltage	V _{IH}	0.8VDD	—	VDD	V
Input Low Voltage	V _{IL}	0	—	0.2VDD	V
Output High Voltage	V _{OH}	0.8VDD	—	VDD	V
Output Low Voltage	V _{OL}	0	—	0.2VDD	V

BLOCK DIAGRAM



PIN CONNECTIONS (J1)

PIN	Symbol	Level	Function
1	VSS	—	GND(0V)
2	VDD	—	Supply Voltage for Logic(+5V)
3	V0	—	Power supply for LCD
4	A0	H/L	H: Data; L: Instruction Code
5	/WR	L	Write
6	/RD	L	Read
7	DB0	H/L	Data Bus Line
8	DB1	H/L	
9	DB2	H/L	
10	DB3	H/L	
11	DB4	H/L	
12	DB5	H/L	
13	DB6	H/L	
14	DB7	H/L	
15	/CS	L	Chip select
16	/RESET	L	Reset Signal (Active LOW)
17	VEE	—	Negative Voltage to LCD
18	BUSY	H/L	Busy Signal
19	INT	H/L	Interrupt Signal
20	LEDA	—	Backlight Power (+5V)
21	LEDK	—	Backlight Power (0V)

POWER SUPPLY

