

PRELIMINARY

Notice: This is not a final specification
Some parametric are subject to change.

RT3DKKM

FOR HIGH SPEED SWITCHING APPLICATION
SILICON EPITAXIAL TYPE(CATHODE COMMON)

DESCRIPTION

RT3DKKM is a super mini package plastic seal type silicon epitaxial type composite diode, built with two Cathode common MC2838.

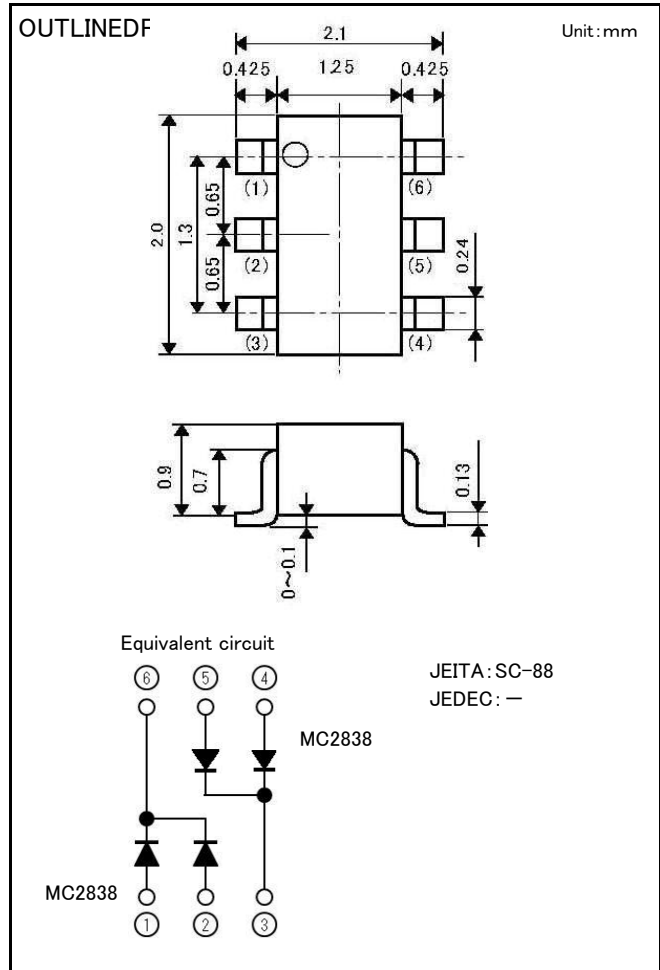
Due to the small pin capacitance, short switching time(reverse recovery time),It is most suitable for high speed switching application and limiter,clipper application.

FEATURE

- Small pin capacitance
- Quick switching time
- High voltage
- Quadruple diodes and super mini package for mounting

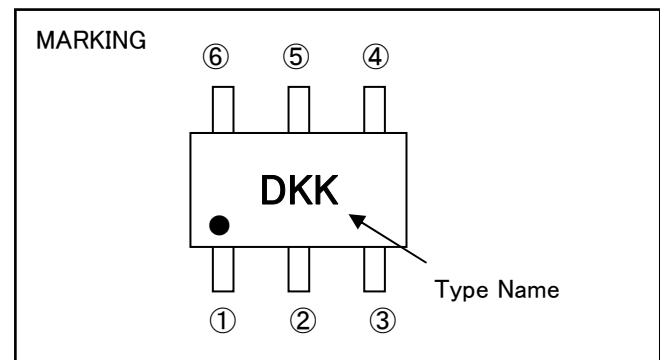
APPLICATION

For general high speed switching of audio machine,VTR.



MAXIMUM RATINGS (Ta=25°C) (All Di COMMON)

Symbol	Parameter	Ratings	Unit
V_{RM}	Peak reverse voltage	85	V
V_R	DC reverse voltage	80	V
I_{FSM}	Surge current (1 μ s)	4	A
I_{FM}	Peak forward current	300	mA
I_O	Average rectification current	100	mA
P_T	Total allowance dissipation	200	mW
T_j	Junction temperature	+150	°C
T_{stg}	Storage temperature	-55~+150	°C



ELECTRICAL CHARACTERISTICS (Ta=25°C) (All Di COMMON)

Parameter	Symbol	Test conditions	Limits			Unit
			Min	Typ	Max	
Forward voltage	V_{F1}	$I_F=10mA$	-	0.72	0.9	V
	V_{F2}	$I_F=50mA$	-	0.85	1.0	
	V_{F3}	$I_F=100mA$	-	0.90	1.2	
Reverse current	I_{R1}	$V_R=75V$	-	-	0.1	μA
	I_{R2}	$V_R=80V$	-	-	0.5	
Pin capacitance	C_t	$V_R=0V, f=1MHz$	-	1.3	4.0	pF
Reverse recovery time	t_{rr}	(Refer to test circuit)	-	-	3.0	ns

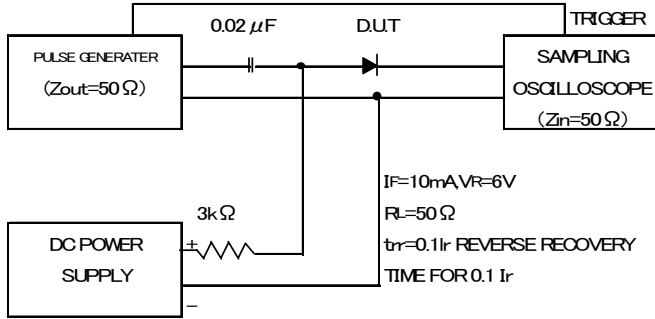
RT3DKKM

FOR HIGH SPEED SWITCHING APPLICATION
SILICON EPITAXIAL TYPE(CATHODE COMMON)

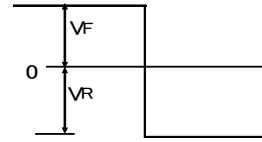
PRELIMINARY

Notice: This is not a final specification
Some parametric are subject to change.

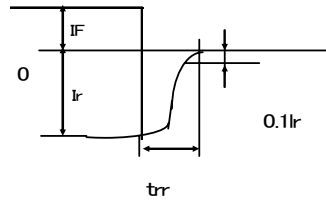
MC2838 Reverse recovery time (t_{rr}) test circuit



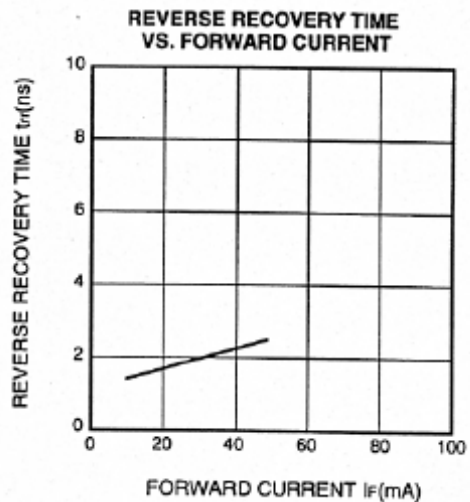
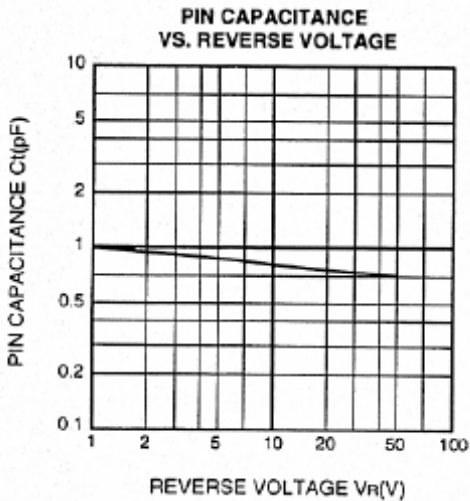
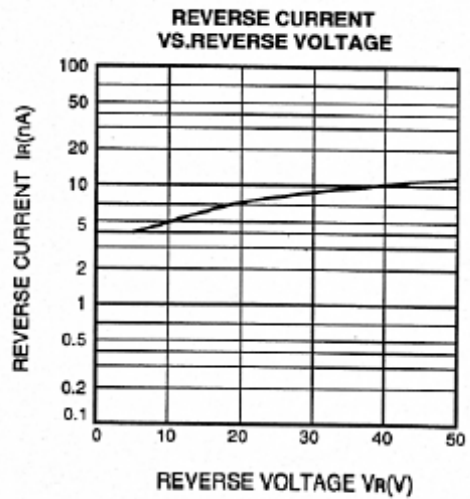
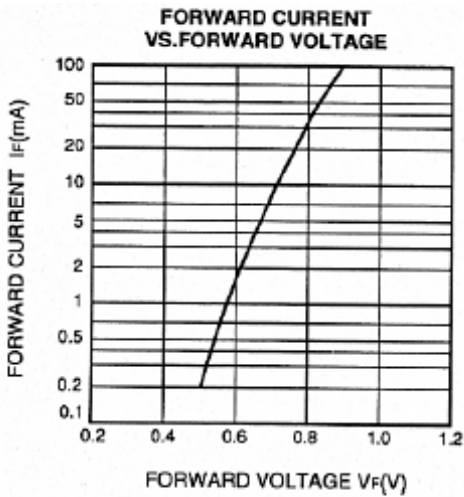
● INPUT VOLTAGE WAVE FORM



● CURRENT WAVE FORM IN DIODE



MC2838 TYPICAL CHARACTERISTICS





6-41 Tsukuba, Isahaya, Nagasaki, 854-0065 Japan

Keep safety first in your circuit designs!

•ISAHAYA Electronics Corporation puts the maximum effort into making semiconductor products better and more reliable, but there is always the possibility that trouble may occur with them. Trouble with semiconductors may lead to personal injury, fire or property damage. Remember to give due consideration to safety when making your circuit designs, with appropriate measures such as (1) placement of substitutive, auxiliary, (2) use of non-flammable material or (3) prevention against any malfunction or mishap.

Notes regarding these materials

- These materials are intended as a reference to our customers in the selection of the ISAHAYA products best suited to the customer's application; they don't convey any license under any intellectual property rights, or any other rights, belonging ISAHAYA or third party.
- ISAHAYA Electronics Corporation assumes no responsibility for any damage, or infringement of any third party's rights, originating in the use of any product data, diagrams, charts or circuit application examples contained in these materials.
- All information contained in these materials, including product data, diagrams and charts, represent information on products at the time of publication of these materials, and are subject to change by ISAHAYA Electronics Corporation without notice due to product improvements or other reasons. It is therefore recommended that customers contact ISAHAYA Electronics Corporation or an authorized ISAHAYA products distributor for the latest product information before purchasing product listed herein.
- ISAHAYA Electronics Corporation products are not designed or manufactured for use in a device or system that is used under circumstances in which human life is potentially at stake. Please contact ISAHAYA electronics corporation or an authorized ISAHAYA products distributor when considering the use of a product contained herein for any specific purposes, such as apparatus or systems for transportation, vehicular, medical, aerospace, nuclear, or undersea repeater use.
- The prior written approval of ISAHAYA Electronics Corporation is necessary to reprint or reproduce in whole or in part these materials.
- If these products or technologies are subject to the Japanese export control restrictions, they must be exported under a license from the Japanese government and cannot be imported into a country other than the approved destination. Any diversion or re-export contrary to the export control laws and regulations of Japan and/or the country of destination is prohibited.
- Please contact ISAHAYA Electronics Corporation or authorized ISAHAYA products distributor for further details on these materials or the products contained therein.