

# High-Integration USB Multi-Protocol Controller with Rectification Detection

## 1 General Description

The RT7204E is a highly integrated, programmable controller that offers multi-protocol support and features high-precision shunt regulators for constant voltage (CV) and constant current (CC) regulation. An embedded MCU is designed to handle customized functions with flexibility, ensuring compatibility with USB PD protocol, Universal Fast Charging Specification (UFCS), and proprietary protocols via the CC1, CC2, D+, and D- interface.

This controller is specifically designed for off-line AC-DC converters to achieve the high power density of a fast charging system. The RT7204E is equipped with rectification detection to sense the AC input voltage and adaptively configure the power rating. Additionally, it monitors the PWM switching state to detect AC OFF conditions. For safety considerations, the RT7204E provides comprehensive protections, including Limited Power Source (LPS) protection and precise internal Over-Temperature Protection (OTP). Furthermore, the RT7204E can also share the output power through I<sup>2</sup>C communication for multi-port applications.

The recommended junction temperature range is -40°C to 125°C, and the ambient temperature range is -40°C to 105°C.

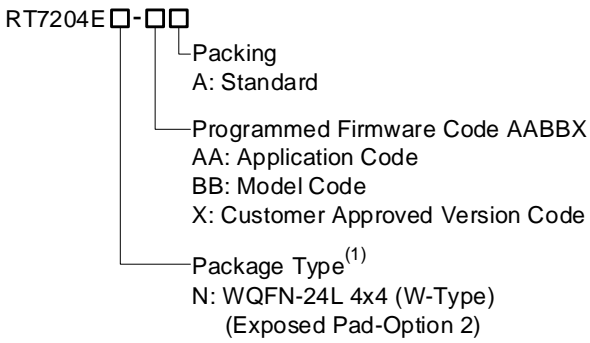
## 2 Applications

- USB Type-C Controller in Source Applications for Single-Port or Multi-Port Charger / Adapters of Smartphone, Tablet, Notebook, and Other Electronics

## 3 Features

- **Protocol Support**
  - USB PD 3.1 and PPS
  - Universal Fast Charging Specification (UFCS)
  - Proprietary Protocols
- **Highly Integrated**
  - Suited for 3V to 21V VDD Range
  - Built-In Shunt Regulators for Constant Voltage and Constant Current Control
  - Built-In 11-bit Analog-to-Digital Converter (ADC)
  - Built-In Linear Regulator
  - Built-In Blocking N-MOSFET Driver with Soft-Start for Capacitive Load
  - VDD Quick Discharge for Output Capacitor
  - Built-In Output Bleeder for Quick VBUS Discharge
  - Support High-Side Current Sensing
  - Support Programmable Cable Compensation
  - Support Input Voltage (V<sub>IN</sub>) Detection
  - Support Slave I<sup>2</sup>C Communication
  - Built-In VCONN Power and Switches
  - <5mA Operating Current in Normal Mode
  - <2mA Operating Current in Idle Mode
  - <1mA Operating Current in Green Mode
- **Protection**
  - VDD Adaptive Output Overvoltage Protection
  - VDD Adaptive Undervoltage Protection
  - USBP Undervoltage Protection
  - CC1/CC2/D+/D-/RT/VTR/GPIO Overvoltage Protection
  - Short-Circuit Protection
  - Overcurrent Protection
  - Constant Current Protection
  - Over-Temperature Protection
  - Limited Power Source (LPS) Protection
  - Internal Over-Temperature Protection

### 4 Ordering Information



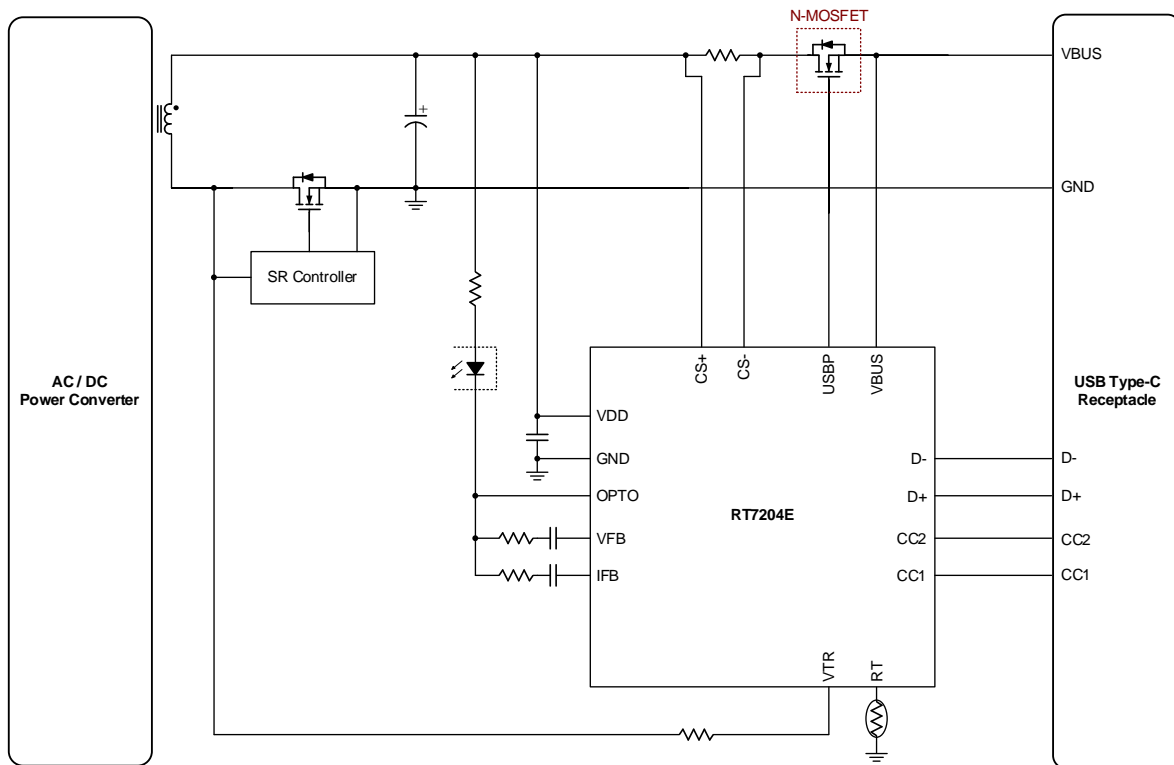
### 5 Marking Information

For marking information, contact our sales representative directly or through a Richtek distributor located in your area.

**Note 1.**

Richtek products are Richtek Green Policy compliant and marked with <sup>(1)</sup> indicates compatible with the current requirements of IPC/JEDEC J-STD-020.

### 6 Simplified Application Circuit

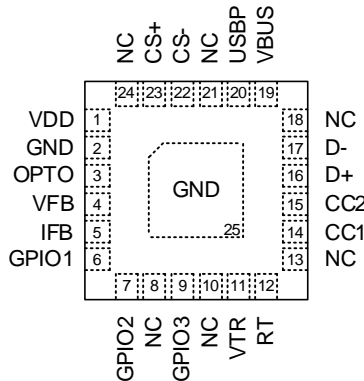


**Table of Contents**

|           |  |           |           |   |           |
|-----------|--|-----------|-----------|---|-----------|
| <b>1</b>  | <b>General Description</b> .....                                       | <b>1</b>  | 15.7      | Open-Drain Driver of The VBUS Pin .....             | 31        |
| <b>2</b>  | <b>Applications</b> .....  | <b>1</b>  | 15.8      | I <sup>2</sup> C Communication .....                | 32        |
| <b>3</b>  | <b>Features</b> .....  | <b>1</b>  | 15.9      | Rectification Detection .....                       | 32        |
| <b>4</b>  | <b>Ordering Information</b> .....                                      | <b>2</b>  | <b>16</b> | <b>Application Information</b> .....                | <b>33</b> |
| <b>5</b>  | <b>Marking Information</b> .....                                       | <b>2</b>  | 16.1      | Constant Voltage (CV) Loop .....                    | 33        |
| <b>6</b>  | <b>Simplified Application Circuit</b> .....                            | <b>2</b>  | 16.2      | Constant Current (CC) Loop .....                    | 33        |
| <b>7</b>  | <b>Pin Configuration</b> .....   | <b>4</b>  | 16.3      | Power-Up Sequence .....                             | 34        |
| <b>8</b>  | <b>Functional Pin Description</b> .....                                | <b>4</b>  | 16.4      | Output Voltage Rises and Falls.....                 | 35        |
|           | 8.1 IO Type Definition .....   | 5         | 16.5      | Output Overvoltage Protection .....                 | 36        |
| <b>9</b>  | <b>Functional Block Diagram</b> .....                                  | <b>6</b>  | 16.6      | Blocking N-MOSFET Control .....                     | 37        |
| <b>10</b> | <b>Absolute Maximum Ratings</b> .....                                  | <b>7</b>  | 16.7      | VBUS Drop Protection .....                          | 38        |
| <b>11</b> | <b>Recommended Operating Conditions</b> .....                          | <b>7</b>  | 16.8      | Temperature Sensing and<br>Thermal Protection ..... | 38        |
| <b>12</b> | <b>Electrical Characteristics</b> .....                                | <b>7</b>  | 16.9      | V <sub>IN</sub> Detection and LPS Protection .....  | 39        |
| <b>13</b> | <b>Typical Application Circuit</b> .....                               | <b>14</b> | 16.10     | Thermal Considerations .....                        | 39        |
| <b>14</b> | <b>Typical Operating Characteristics</b> .....                         | <b>16</b> | <b>17</b> | <b>Outline Dimension</b> .....                      | <b>40</b> |
| <b>15</b> | <b>Operation</b> .....   | <b>29</b> | <b>18</b> | <b>Footprint Information</b> .....                  | <b>41</b> |
|           | 15.1 Power Structure.....  | 29        | <b>19</b> | <b>Packing Information</b> .....                    | <b>42</b> |
|           | 15.2 Constant Voltage and Constant Current<br>(CV/CC) Regulators ..... | 29        | 19.1      | Tape and Reel Data .....                            | 42        |
|           | 15.3 Current Sense Amplifier .....                                     | 29        | 19.2      | Tape and Reel Packing.....                          | 43        |
|           | 15.4 External Temperature Sensing .....                                | 30        | 19.3      | Packing Material Anti-ESD Property .....            | 44        |
|           | 15.5 Interface of D+ and D- .....                                      | 30        | <b>20</b> | <b>Datasheet Revision History</b> .....             | <b>45</b> |
|           | 15.6 Interface of CC1 and CC2 .....                                    | 31        |           |   |           |

7 Pin Configuration

(TOP VIEW)



WQFN-24L 4x4

8 Functional Pin Description

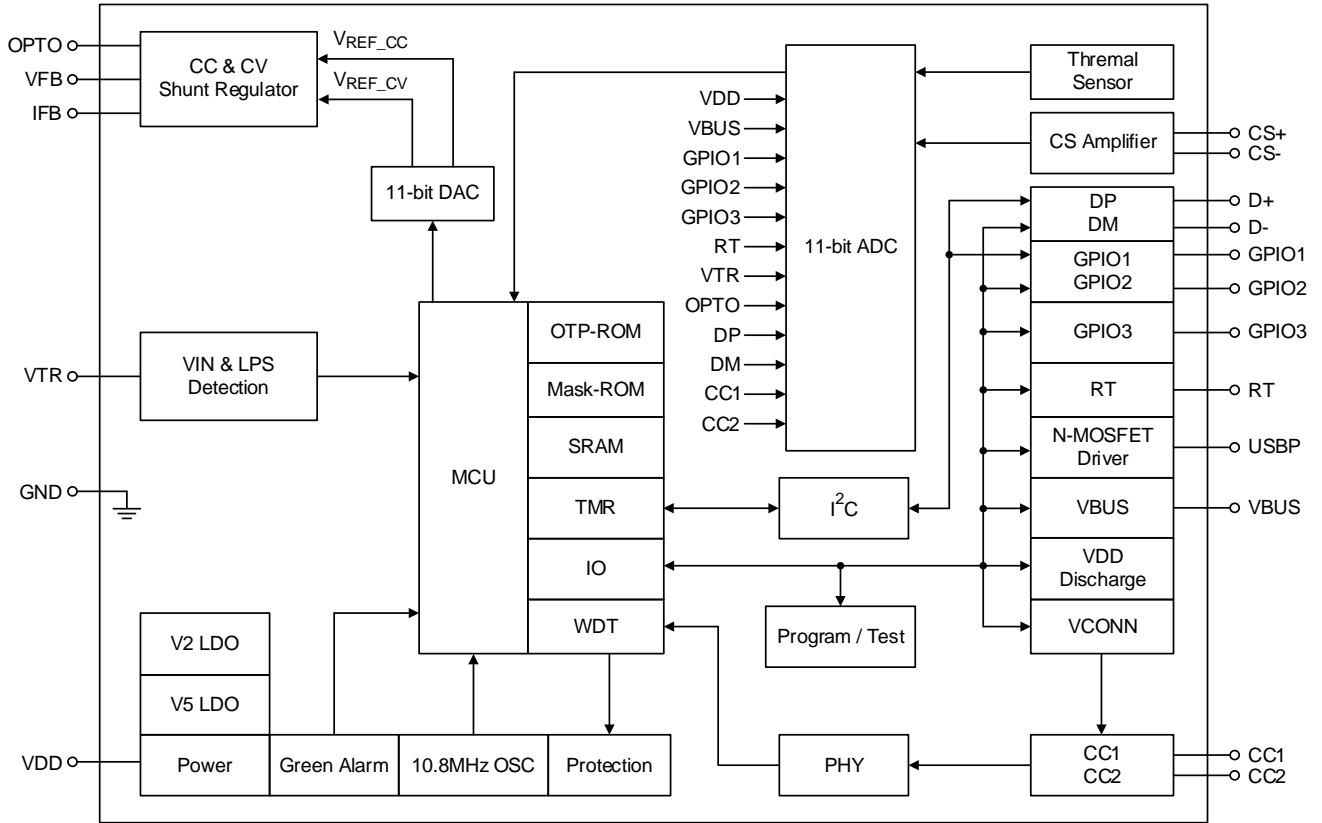
| Pin No.               | Pin Name | Type   | Pin Function  |
|-----------------------|----------|--------|---|
| 1                     | VDD      | PWR    | Supply input voltage.   |
| 2                     | GND      | GND    | Ground.   |
| 3                     | OPTO     | AO     | Current sink output for optocoupler connection. Can be configured as open-drain output and ADC input.   |
| 4                     | VFB      | AI     | Feedback input for constant-voltage loop.   |
| 5                     | IFB      | AI     | Feedback input for constant-current loop.   |
| 6                     | GPIO1    | A/D IO | General purpose input/output. Can be configured as I <sup>2</sup> C-SDA, UART_TX/UART_RX, open-drain output, sourcing current, and ADC input.               |
| 7                     | GPIO2    | A/D IO | General purpose input/output. Can be configured as I <sup>2</sup> C-SCL, UART_TX/UART_RX, open-drain output, sourcing current, and ADC input.               |
| 8, 10, 13, 18, 21, 24 | NC       | NC     | No internal connection.   |
| 9                     | GPIO3    | A/D IO | General purpose input/output. Can be configured as open-drain output, sourcing current, and ADC input.  |
| 11                    | VTR      | AI     | Transformer voltage sense node for input voltage detection. Can be configured as open-drain output and ADC input.   |
| 12                    | RT       | A/D IO | Remote thermal sensor connection node for over-temperature protection. Can be configured as open-drain output, sourcing current, and ADC input.             |
| 14                    | CC1      | A/D IO | Type-C connector Configuration Channel (CC) 1. It is used to detect a cable plug event and determine the cable orientation. Can be configured as ADC input. |
| 15                    | CC2      | A/D IO | Type-C connector Configuration Channel (CC) 2. It is used to detect a cable plug event and determine the cable orientation. Can be configured as ADC input. |

| Pin No.             | Pin Name | Type   | Pin Function   |
|---------------------|----------|--------|--|
| 16                  | D+       | A/D IO | USB D+ channel for BC1.2 and proprietary protocols. Can be configured as I <sup>2</sup> C-SCL, UART_TX/UART_RX, and ADC input.     |
| 17                  | D-       | A/D IO | USB D- channel for BC1.2 and proprietary protocols. Can be configured as I <sup>2</sup> C-SDA, UART_TX/UART_RX, and ADC input.     |
| 19                  | VBUS     | A IO   | VBUS sensing and bleeder connection node to provide another path to discharge the VBUS capacitor. Can be configured as ADC input.  |
| 20                  | USBP     | D IO   | Control signal of the blocking N-MOSFET.   |
| 22                  | CS-      | AI     | Negative input of a current-sense amplifier for output current sensing.  |
| 23                  | CS+      | AI     | Positive input of a current-sense amplifier for output current sensing.  |
| 25<br>(Exposed Pad) | GND      | GND    | Power ground. The exposed pad must be connected to GND and well soldered to a large PCB copper area for maximum power dissipation. |

**8.1 IO Type Definition**

- PWR: Power Pin
- GND: Ground Pin
- AO: Analog Output Pin
- AI: Analog Input Pin
- A IO: Analog Input/Output Pin
- D IO: Digital Input/Output Pin
- A/D IO: Analog/Digital Input/Output Pin
- NC: No Connection Pin

9 Functional Block Diagram



## 10 Absolute Maximum Ratings

(Note 2)

- USBP to GND ----- -0.3V to 32V
- VDD, VBUS, OPTO, CS+, CS- to GND ----- -0.3V to 28V
- VFB, IFB, VTR, RT, GPIO1, GPIO2, GPIO3, CC1, CC2, D+, D- to GND ----- -0.3V to 6.5V
- Power Dissipation, P<sub>D</sub> @ T<sub>A</sub> = 25°C
  - WQFN-24L 4x4 ----- 2.52W
- Package Thermal Resistance (Note 3)
  - WQFN-24L 4x4, θ<sub>JA</sub> ----- 39.6°C/W
  - WQFN-24L 4x4, θ<sub>JC</sub> ----- 7.1°C/W
- Junction Temperature ----- 150°C
- Lead Temperature (Soldering, 10 sec.) ----- 260°C
- Storage Temperature Range ----- -65°C to 150°C
- ESD Susceptibility (Note 4)
  - HBM (Human Body Model) ----- 2kV

**Note 2.** Stresses beyond those listed under "Absolute Maximum Ratings" may cause permanent damage to the device. These are stress ratings only, and functional operation of the device at these or any other condition beyond those indicated in the operational sections of the specifications is not implied. Exposure to absolute maximum rating conditions may affect device reliability.

**Note 3.** θ<sub>JA</sub> is measured under natural convection (still air) at T<sub>A</sub> = 25°C with the component mounted on a low effective-thermal-conductivity two-layer test board on a JEDEC thermal measurement standard. θ<sub>JC</sub> is measured at the exposed pad of the package.

**Note 4.** Devices are ESD sensitive. Handling precautions are recommended.

## 11 Recommended Operating Conditions

(Note 5)

- Supply Input Voltage, VDD ----- 3V to 21V
- Junction Temperature Range ----- -40°C to 125°C
- Ambient Temperature Range ----- -40°C to 105°C

**Note 5.** The device is not guaranteed to function outside its operating conditions.

## 12 Electrical Characteristics

(T<sub>A</sub> = 25°C, unless otherwise specified.)

| Parameter              | Symbol                | Test Conditions        | Min | Typ  | Max | Unit |
|------------------------|-----------------------|------------------------|-----|------|-----|------|
| <b>VDD Section</b>     |                       |                        |     |      |     |      |
| VDD Turn-On Threshold  | V <sub>VDD_ON</sub>   |                        | 2.9 | 3.05 | 3.2 | V    |
| VDD Turn-Off Threshold | V <sub>VDD_OFF</sub>  |                        | 2.8 | 2.85 | 2.9 | V    |
| VDD Start-Up Current   | I <sub>DD_START</sub> | V <sub>DD</sub> = 2.8V | --  | 200  | 300 | μA   |
| VDD Operating Current  | I <sub>DD_OP</sub>    | V <sub>DD</sub> = 5V   | --  | 3.5  | 5   | mA   |
| VDD Idle-Mode Current  | I <sub>DD_IDLE</sub>  | V <sub>DD</sub> = 5V   | --  | 1.5  | 2   | mA   |

| Parameter   | Symbol                     | Test Conditions   | Min   | Typ   | Max   | Unit  |    |
|---|----------------------------|---|-------|-------|-------|-------|----|
| VDD Green-Mode Current  | I <sub>DD_GREEN</sub>      | V <sub>DD</sub> = 5V  | --    | 750   | 1000  | μA    |    |
| VDD Threshold of Enable IO Pins Overvoltage Protection          | V <sub>VDD_IOOVP_EN</sub>  |   | 5.2   | 5.5   | 5.8   | V     |    |
| VDD Hysteresis of Enable/Disable IO Pins Overvoltage Protection | V <sub>VDD_IOOVP_HYS</sub> |   | 0.2   | 0.3   | 0.4   | V     |    |
| Maximum VDD Overvoltage Protection Threshold                    | V <sub>VDD_MAX_OVP</sub>   |   | 23    | 24    | 25    | V     |    |
| Register-Programmable Overvoltage Protection Threshold          | V <sub>VDD_OVP</sub>       | With respect to V <sub>REF_CV</sub> (Disable/enable by register)  | 00    | 105   | 110   | 115   | %  |
|   |                            |   | 01    | 109.3 | 115   | 120.8 |    |
|   |                            |   | 10    | 114   | 120   | 126   |    |
| VDD Overvoltage Protection Deglitch Time                        | t <sub>VDD_OVP</sub>       | (Note 6)  | 25    | 30    | 35    | μs    |    |
| Register-Programmable VDD Undervoltage Protection Threshold     | V <sub>VDD_UVP</sub>       | With respect to V <sub>REF_CV</sub> (Disable/enable by register)  | 0     | 85    | 90    | 95    | %  |
|   |                            |   | 1     | 80    | 85    | 90    |    |
| VDD Undervoltage Protection Deglitch Time                       | t <sub>VDD_UVP</sub>       | (Note 6)  | 25    | 30    | 35    | μs    |    |
| Register-Programmable VDD Discharge Current                     | I <sub>DD_DIS</sub>        | V <sub>DD</sub> > 3V  | 00    | 42    | 60    | 78    | mA |
|   |                            |   | 01    | 63    | 90    | 117   |    |
|   |                            |   | 10    | 84    | 120   | 156   |    |
|   |                            |   | 11    | 126   | 180   | 234   |    |
| MCU Operating Frequency   | f <sub>OSC_MCU</sub>       | V <sub>DD</sub> > 2.8V  | 10.26 | 10.8  | 11.34 | MHz   |    |
| <b>Regulator Section</b>  |                            |   |       |       |       |       |    |
| VDD Divider Resistor for Feedback Loop                          | R <sub>Fb</sub>            | R <sub>Fb</sub> = R <sub>Fb1</sub> + R <sub>Fb2</sub><br>R <sub>Fb1</sub> : VDD to VFB<br>R <sub>Fb2</sub> : VFB to GND<br>(Note 6) | 140   | 200   | 260   | kΩ    |    |
| VDD Scaling Factor  | K <sub>Fb</sub>            | $K_{Fb} = (R_{Fb1} + R_{Fb2}) / R_{Fb2}$  | 9.9   | 10    | 10.1  | --    |    |
| Reference Voltage for Standby CV Regulator                      | V <sub>REF_CV_STBY</sub>   |   | 0.485 | 0.5   | 0.515 | V     |    |
| Minimum Reference Voltage for CV Regulator                      | V <sub>REF_CV_MIN</sub>    | With 11-bit digital to analog converter   | --    | 0.15  | --    | V     |    |
| Maximum Reference Voltage for CV Regulator                      | V <sub>REF_CV_MAX</sub>    |   | 2.156 | 2.2   | 2.244 | V     |    |
| Minimum Reference Voltage for CC Regulator                      | V <sub>REF_CC_MIN</sub>    | V <sub>DD</sub> > 3.3V<br>With 11-bit digital to analog converter   | --    | 0     | --    | V     |    |



| Parameter   | Symbol      | Test Conditions   | Min   | Typ  | Max   | Unit |    |
|---|-------------|---|-------|------|-------|------|----|
| Maximum Reference Voltage for CC Regulator                    | VREF_CC_MAX |   | 1.862 | 1.9  | 1.938 |      |    |
| Maximum ADC Sense Voltage                                     | VADC_MAX    | With 11-bit analog to digital converter   | 2.178 | 2.2  | 2.222 | V    |    |
| OPTO Turn-On Sinking Current Capability                       | IOPTO_ON    | VDD = 5V, VOPTO = 3V, VREF_CV = 0.15V (Note 6)  | 2     | 60   | 120   | mA   |    |
| OPTO Resistor Connected to VDD                                | ROPTO_VDD   |   | 35.7  | 51   | 66.3  | kΩ   |    |
| OPTO Resistor Connected to GND                                | ROPTO_SINK  | VDD = VOPTO = 2.5V  | 42    | 60   | 78    | kΩ   |    |
| OPTO Sinking Current Source                                   | IOPTO_SINK  |   | 20    | 25   | 30    | μA   |    |
| OPTO Pull-Low Impedance                                       | ROPTO_OL    | OPTO shorted to GND (Disable/enable by register)  | --    | --   | 200   | Ω    |    |
| <b>Current Sense Section</b>                                  |             |   |       |      |       |      |    |
| Current-Sense Voltage Gain                                    | KCS         |   | 30.4  | 32   | 33.6  | V/V  |    |
| Current-Sense Amplifier Output Offset Voltage                 | VCS_OFFSET  |   | 0.36  | 0.4  | 0.44  | V    |    |
| Register-Programmable Exit Green Mode Threshold               | VGREEN_EX   | (VCS+ - VCS-) x KCS + VCS_OFFSET  | 0     | 0.41 | 0.45  | 0.49 | V  |
|   |             |   | 1     | 0.51 | 0.55  | 0.59 |    |
| <b>RT Section</b>   |             |   |       |      |       |      |    |
| RT Open Loop Voltage  | VRT_OP      | VDD = 5V, IRT_BIAS = 95μA   | 3.6   | 4    | 4.4   | V    |    |
| Register-Programmable RT Internal Bias Current                | IRT_BIAS    | VDD > 3V  | 0     | 95   | 100   | 105  | μA |
|   |             |   | 1     | 18   | 20    | 22   |    |
| RT Overvoltage Protection Threshold                           | VRT_OVP     | 1. The blocking MOSFET can be turned off or left on based on the register setting<br>2. Send a flag to MCU<br>3. VDD > VVDD_IOOVP_EN<br>4. Disable/enable by register | 4.6   | 4.85 | 5.1   | V    |    |
| Register-Programmable RT Overvoltage Protection Deglitch Time | tRT_OVP     | (Note 6)  | 0     | 0.09 | 0.1   | 0.11 | ms |
|   |             |   | 1     | 0.9  | 1     | 1.1  |    |
| <b>GPIO1 (SDA), GPIO2 (SCL), and GPIO3 Section</b>            |             |   |       |      |       |      |    |
| GPIO1 Open-Loop Voltage                                       | VGP1_OP     | VDD = 5V, IGP1_BIAS = 900μA   | 3.2   | 3.6  | 4     | V    |    |
| GPIO2/GPIO3 Open-Loop Voltage                                 | VGP_OP      | VDD = 5V, IGP_BIAS = 95μA   | 3.6   | 4    | 4.4   | V    |    |
| Register-Programmable GPIO1 Internal Bias Current             | IGP1_BIAS   | VDD > 3V  | 900   | 1300 | 1700  | μA   |    |

| Parameter  | Symbol                | Test Conditions   | Min  | Typ   | Max  | Unit  |    |
|--|-----------------------|---|------|-------|------|-------|----|
| Register-Programmable GPIO2 Internal Bias Current        | IGP2_BIAS             | VDD > 3V  | 0    | 95    | 100  | 105   | μA |
|  |                       |   | 1    | 18    | 20   | 22    |    |
| Register-Programmable GPIO3 Internal Bias Current        | IGP3_BIAS             | VDD > 3V  | 90   | 100   | 110  | μA    |    |
| GPIO1/GPIO2/GPIO3 Overvoltage Protection Threshold       | VGP_OVP               | 1. The blocking MOSFET can be turned off or left on based on the register setting<br>2. Send a flag to MCU<br>3. VDD > VVDD_IOOVP_EN<br>4. Disable/enable by register | 4.6  | 4.85  | 5.1  | V     |    |
| GPIO1/GPIO2/GPIO3 Overvoltage Protection Deglitch Time   | tGP_OVP               | (Note 6)  | 0    | 0.09  | 0.1  | 0.11  | ms |
|  |                       |   | 1    | 0.9   | 1    | 1.1   |    |
| I <sup>2</sup> C High-Level Input Threshold Voltage      | V <sub>IH_I2C</sub>   |   | 1.3  | --    | --   | V     |    |
| I <sup>2</sup> C Low-Level Input Threshold Voltage       | V <sub>IL_I2C</sub>   |   | --   | --    | 0.4  | V     |    |
| <b>D+ and D- Section</b>                                 |                       |   |      |       |      |       |    |
| Register-Programmable DP/DM Pull-Low Resistance          | R <sub>DPDM_L</sub>   |   | 16   | 20    | 24   | kΩ    |    |
| Register-Programmable DP/DM Leakage Resistance           | R <sub>DPDM_LKG</sub> |   | 300  | 900   | 1500 | kΩ    |    |
| Register-Programmable DP/DM Output High Voltage          | V <sub>DPDM_OH</sub>  | VDD = 5V, R <sub>L</sub> = 15kΩ   | 2.97 | 3.3   | 3.63 | V     |    |
| DP/DM Output Low Voltage                                 | V <sub>DPDM_OL</sub>  | R <sub>L</sub> = 15kΩ   | --   | --    | 0.2  | V     |    |
| Register-Programmable DP/DM Input High Threshold Voltage | V <sub>DPDM_IH</sub>  |   | 00   | 1.1   | 1.2  | 1.3   | V  |
|  |                       |   | 01   | 1.2   | 1.3  | 1.4   |    |
|  |                       |   | 10   | 2     | 2.1  | 2.2   |    |
| Register-Programmable DP/DM Input Low Threshold Voltage  | V <sub>DPDM_IL</sub>  |   | 00   | 0.9   | 1    | 1.1   | V  |
|  |                       |   | 01   | 1.0   | 1.1  | 1.2   |    |
|  |                       |   | 10   | 1.8   | 1.9  | 2.0   |    |
| Register-Programmable DP/DM Input Deglitch Time          | t <sub>DPDM_IN</sub>  | (Note 6)  | 00   | 0.95  | 1    | 1.05  | μs |
|  |                       |   | 01   | 142.5 | 150  | 157.5 |    |
|  |                       |   | 10   | 475   | 500  | 525   |    |
|  |                       |   | 11   | 950   | 1000 | 1050  |    |
| DP/DM Short Switch On-Resistance                         | R <sub>DPDM_ON</sub>  |   | --   | --    | 40   | Ω     |    |
| DP Comparison Threshold for Cable Detachment             | V <sub>DP_CD</sub>    | Disable/enable cable detection by register  | 0.2  | 0.3   | 0.4  | V     |    |

| Parameter  | Symbol                | Test Conditions   | Min  | Typ    | Max   | Unit |    |
|--|-----------------------|---|------|--------|-------|------|----|
| DP Comparison Threshold for Cable Attachment                       | V <sub>DP_CA</sub>    |   | 0.3  | 0.4    | 0.5   | V    |    |
| Register-Programmable DP Cable Detection Deglitch Time             | t <sub>DP_CD</sub>    | (Note 6)  | 00   | 0.25   | 0.5   | 0.75 | ms |
|  |                       |   | 01   | 0.75   | 1     | 1.25 |    |
|  |                       |   | 10   | 1.75   | 2     | 2.25 |    |
|  |                       |   | 11   | 3.75   | 4     | 4.25 |    |
| DP/DM Overvoltage Protection Threshold                             | V <sub>DPDM_OVP</sub> | 1. The blocking MOSFET can be turned off or left on based on the register setting<br>2. Send a flag to MCU<br>3. V <sub>DD</sub> > V <sub>VDD_IOOVP_EN</sub><br>4. Disable/enable by register | 4.6  | 4.85   | 5.1   | V    |    |
| Register-Programmable DP/DM Overvoltage Protection Deglitch Time   | t <sub>DPDM_OVP</sub> | (Note 6)  | 0    | 0.09   | 0.1   | 0.11 | ms |
|  |                       |   | 1    | 0.9    | 1     | 1.1  |    |
| <b>CC1 and CC2 Section</b>   |                       |   |      |        |       |      |    |
| CC1/CC2 Output High Voltage  | V <sub>CC_OH</sub>    |   | 1.05 | 1.125  | 1.2   | V    |    |
| CC1/CC2 Output Low Voltage   | V <sub>CC_OL</sub>    |   | 0    | 0.0375 | 0.075 | V    |    |
| CC1/CC2 Input High Threshold Voltage                               | V <sub>CC_IH</sub>    |   | 0.7  | 0.8    | 0.9   | V    |    |
| CC1/CC2 Input Low Threshold Voltage                                | V <sub>CC_IL</sub>    |   | 0.5  | 0.6    | 0.7   | V    |    |
| Open Loop Voltage for CC1/CC2 Sourcing Current                     | V <sub>CC_OP</sub>    | V <sub>DD</sub> > 5V  | 2.9  | 3.25   | 3.6   | V    |    |
| Register-Programmable CC1/CC2 Sourcing Current                     | I <sub>CC_SRC</sub>   | V <sub>DD</sub> > 3V  | 01   | 72     | 80    | 88   | μA |
|  |                       |   | 10   | 169    | 180   | 191  |    |
|  |                       |   | 11   | 304    | 330   | 356  |    |
| CC1/CC2 Sourcing Current for Rust Protection                       | I <sub>CC_RUST</sub>  | Disable/Enable by register  | 0.5  | 1      | 1.5   | μA   |    |
| CC1/CC2 Comparison Threshold for Cable Detection                   | V <sub>CC_CD</sub>    | 1. V <sub>DD</sub> > 3V<br>2. Send a flag to MCU<br>3. Disable/Enable by register   | 2.5  | 2.6    | 2.7   | V    |    |
| CC1/CC2 Overvoltage Protection Threshold                           | V <sub>CC_OVP</sub>   | 1. The blocking MOSFET can be turned off or left on based on the register setting<br>2. Send a flag to MCU<br>3. V <sub>DD</sub> > V <sub>VDD_IOOVP_EN</sub><br>4. Disable/enable by register | 4.6  | 4.85   | 5.1   | V    |    |
| Register-Programmable CC1/CC2 Overvoltage Protection Deglitch Time | t <sub>CC_OVP</sub>   | (Note 6)  | 0    | 0.09   | 0.1   | 0.11 | ms |
|  |                       |   | 1    | 0.9    | 1     | 1.1  |    |

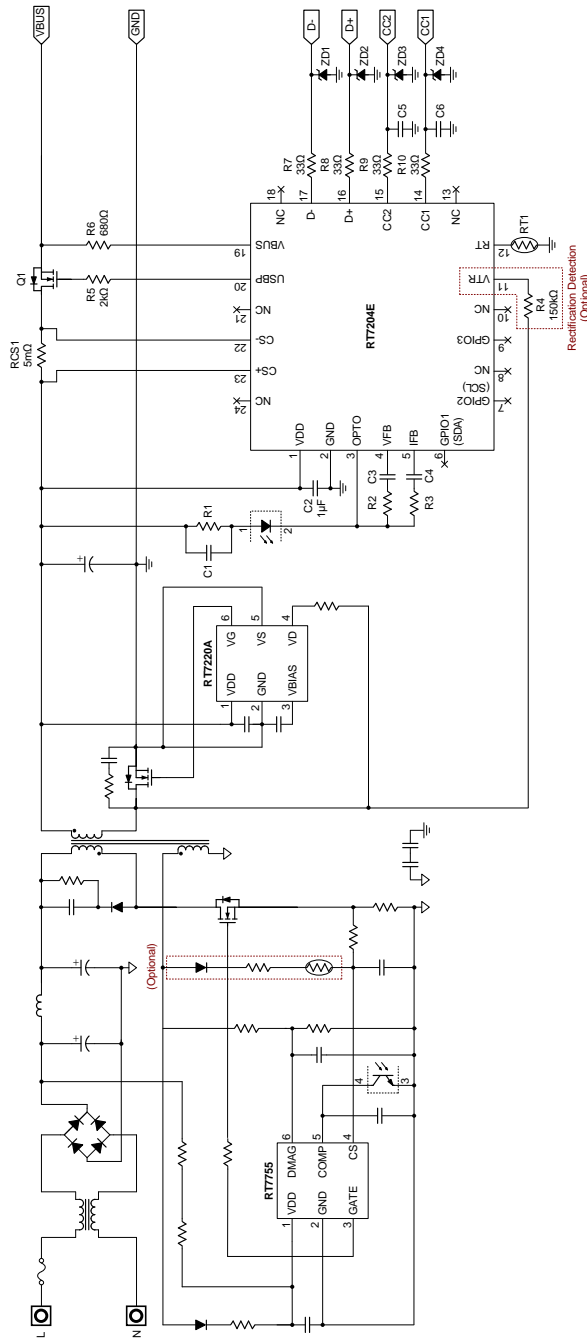
| Parameter   | Symbol                  | Test Conditions  | Min                 | Typ                   | Max                  | Unit |    |
|---|-------------------------|--|---------------------|-----------------------|----------------------|------|----|
| Register-Programmable VCONN Voltage                                       | V <sub>VCONN</sub>      | V <sub>DD</sub> = 5V, I <sub>VCONN</sub> = 0mA   | 4                   | 4.2                   | 4.4                  | V    |    |
|   |                         | V <sub>DD</sub> = 5V, I <sub>VCONN</sub> = 30mA  | 3.3                 | --                    | --                   |      |    |
| VCONN Short-Circuit Current   | I <sub>VCONN_SC</sub>   | (Note 6)   | 45                  | 70                    | 95                   | mA   |    |
| <b>VBUS Section</b>   |                         |  |                     |                       |                      |      |    |
| Maximum VBUS Discharge Current  | I <sub>VBUS_DIS</sub>   | V <sub>DD</sub> = 3V to 21V  | 2                   | --                    | 30                   | mA   |    |
| VBUS Pull-Low Impedance   | R <sub>VBUS_L</sub>     | I <sub>VBUS</sub> = 2mA  | 0.7                 | 1                     | 1.3                  | kΩ   |    |
| VBUS Divider Resistor for ADC Sensing                                     | R <sub>VBUS_ADC</sub>   | R <sub>VBUS_ADC</sub> = R <sub>VBUS1</sub> + R <sub>VBUS2</sub>  | 294                 | 420                   | 546                  | kΩ   |    |
| VBUS Scaling Factor for ADC Sensing                                       | K <sub>VBUS_ADC</sub>   | K <sub>VBUS_ADC</sub> = (R <sub>VBUS1</sub> + R <sub>VBUS2</sub> ) / R <sub>VBUS2</sub><br>(Note 6)  | 9.7                 | 10                    | 10.3                 | --   |    |
| Register-Programmable VBUS Drop Threshold for Output Short Protection     | V <sub>VBUS_DROP</sub>  | V <sub>DD</sub> > 3.3V<br>If V <sub>DD</sub> - V <sub>VBUS</sub> > V <sub>VBUS_DROP</sub> ,<br>1. The blocking MOSFET can be turned off or left on based on the register setting<br>2. Send a flag to MCU<br>3. Disable/enable by register<br>(Note 6) | 0                   | 0.2                   | 0.3                  | 0.4  | V  |
|   |                         |  | 1                   | 0.3                   | 0.4                  | 0.5  |    |
| Register-Programmable VBUS Drop Deglitch Time for Output Short Protection | t <sub>VBUS_DROP</sub>  | V <sub>DD</sub> > 5V<br>(Note 6)   | 0                   | 16                    | 20                   | 24   | μs |
|   |                         |  | 1                   | 24                    | 30                   | 36   |    |
| <b>USBP Section</b>   |                         |  |                     |                       |                      |      |    |
| USBP Output High Voltage  | V <sub>USBP_OH</sub>    |  | V <sub>DD</sub> + 7 | V <sub>DD</sub> + 8.5 | V <sub>DD</sub> + 10 | V    |    |
| USBP Undervoltage Protection Threshold                                    | V <sub>USBP_UVP</sub>   | 1. Disable/Enable by register<br>2. Send a flag to MCU<br>3. The blocking MOSFET can be turned off or left on based on the register setting<br>4. Disable/enable by register   | V <sub>DD</sub> + 4 | V <sub>DD</sub> + 4.5 | V <sub>DD</sub> + 5  | V    |    |
| USBP Undervoltage Deglitch Time   | t <sub>USBP_UVP</sub>   | (Note 6)   | 30                  | 50                    | 70                   | μs   |    |
| Register-Programmable Pull-Low Resistance when USBP Turn-Off              | R <sub>USBPOFF_OL</sub> | 1. For V <sub>DD</sub> > V <sub>VDD_ON</sub><br>2. If USBP is turned Off   | 14                  | 20                    | 26                   | kΩ   |    |

| Parameter  | Symbol     | Test Conditions   | Min  | Typ   | Max  | Unit  |    |
|--|------------|---|------|-------|------|-------|----|
| Register-Programmable USBP Soft-Start Time                     | tUSBP_SS   | Default is disabled<br>( <a href="#">Note 6</a> )   | 000  | 0.9   | 1    | 1.1   | ms |
|  |            |   | 001  | 1.8   | 2    | 2.2   |    |
|  |            |   | 010  | 3.6   | 4    | 4.4   |    |
|  |            |   | 011  | 7.2   | 8    | 8.8   |    |
|  |            |   | 100  | 14.4  | 16   | 17.6  |    |
|  |            |   | 101  | 28.8  | 32   | 35.2  |    |
|  |            |   | 110  | 57.6  | 64   | 70.4  |    |
|  |            |   | 111  | 115.2 | 128  | 140.8 |    |
| <b>VTR Section</b>   |            |   |      |       |      |       |    |
| VTR Divider Resistance for Rectification Detection             | RVTR_L     | 1. RVTR_H / RVTR_L = 29, RVTR_H is the divider resistor from SR MOSFET drain to the VTR pin<br>2. Disable/enable by register  | 4.91 | 5.17  | 5.43 | kΩ    |    |
| VTR Falling Edge Threshold for Rectification Detection         | VVTR_EDGE  |   | 25   | 60    | 95   | mV    |    |
| Register-Programmable VTR Low Blanking Time                    | tVTR_L_BLK | VVTR < VVTR_EDGE<br>( <a href="#">Note 6</a> )  | 000  | 0.4   | 0.5  | 0.6   | μs |
|  |            |   | 001  | 0.6   | 0.7  | 0.8   |    |
|  |            |   | 010  | 0.8   | 0.9  | 1     |    |
|  |            |   | 011  | 1     | 1.1  | 1.2   |    |
|  |            |   | 100  | 1.6   | 1.7  | 1.8   |    |
|  |            |   | 101  | 1.8   | 1.9  | 2     |    |
|  |            |   | 110  | 2     | 2.1  | 2.2   |    |
|  |            |   | 111  | 2.2   | 2.3  | 2.4   |    |
| VTR Overvoltage Protection Threshold                           | VVTR_OVP   | 1. The blocking MOSFET can be turned off or left on based on the register setting<br>2. Send a flag to MCU<br>3. VDD > VVDD_IOOVP_EN<br>4. Disable/enable by register | 4.6  | 4.85  | 5.1  | V     |    |
| Register-Programmable VTR Overvoltage Protection Deglitch Time | tVTR_OVP   | <a href="#">(Note 6)</a>  | 0    | 0.09  | 0.1  | 0.11  | ms |
|  |            |   | 1    | 0.9   | 1    | 1.1   |    |
| <b>Thermal Sensor Section</b>                                  |            |   |      |       |      |       |    |
| Thermal Sensor Error   |            | 25°C to 105°C ( <a href="#">Note 6</a> )  | -7   | --    | 7    | °C    |    |

**Note 6.** Guaranteed by design.

13 Typical Application Circuit

(Note 7)

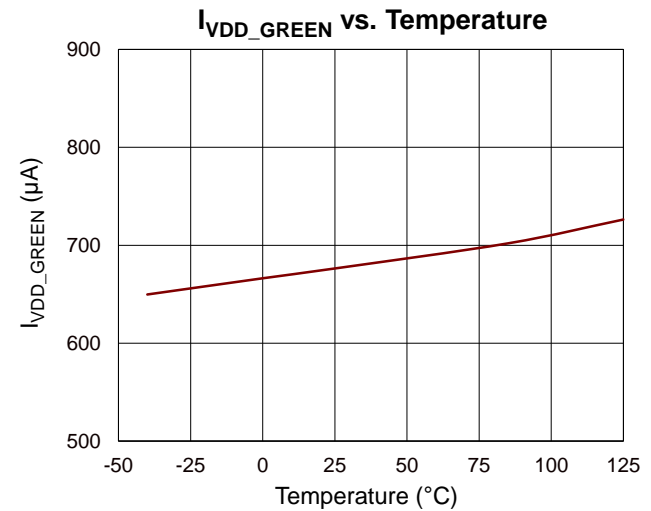
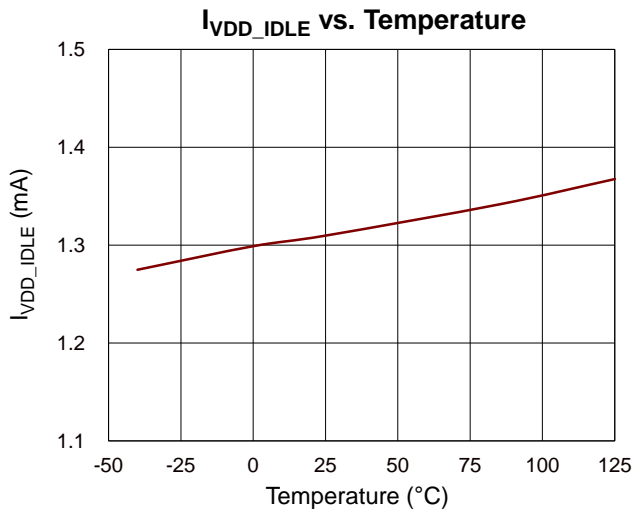
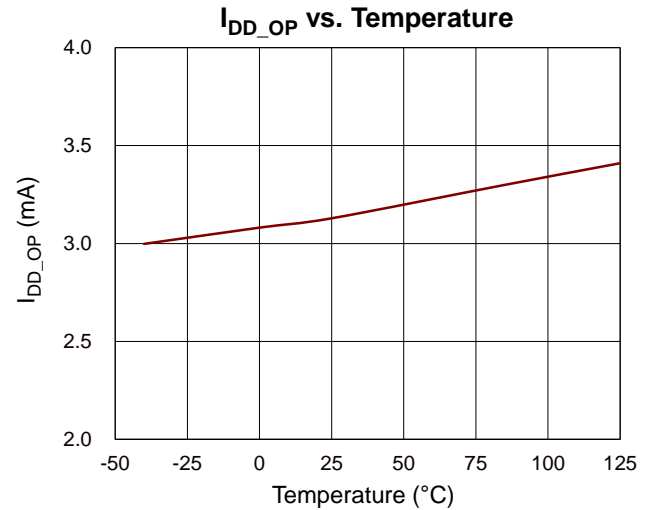
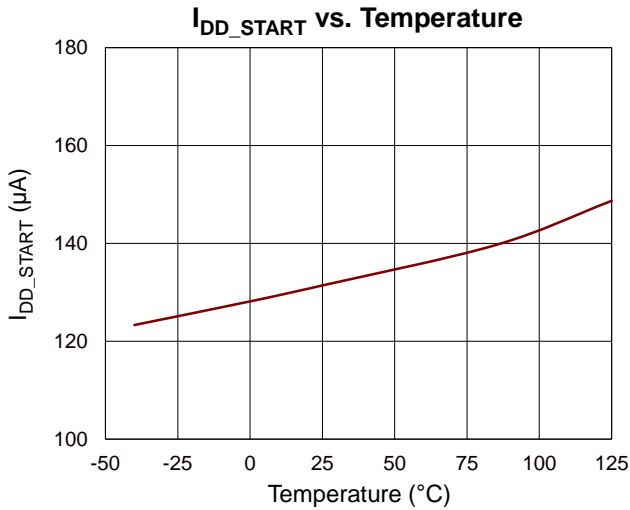
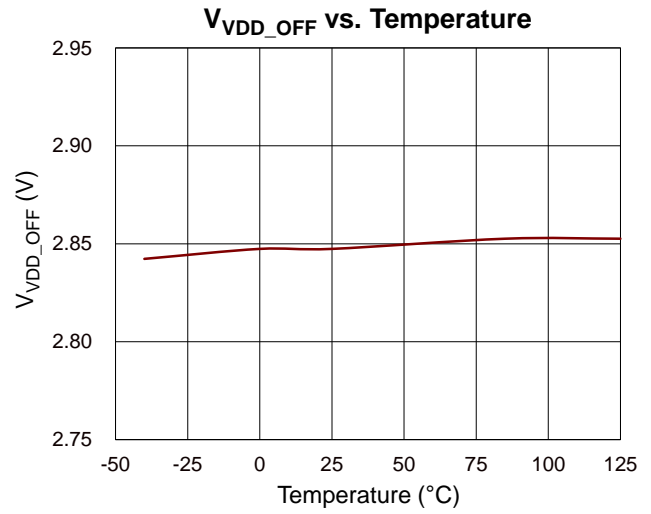
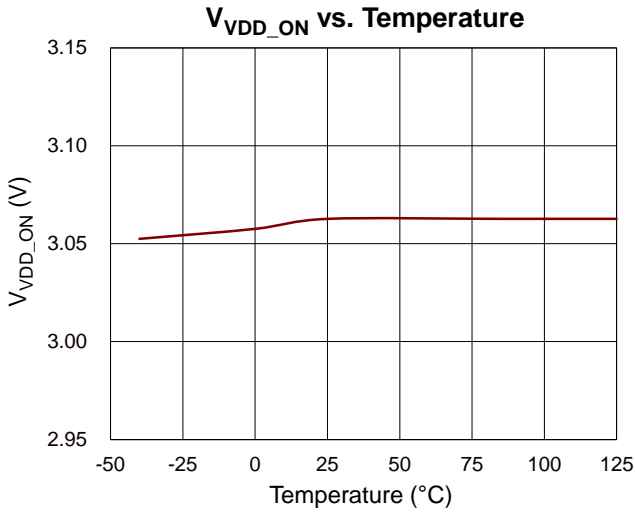


Note 7.

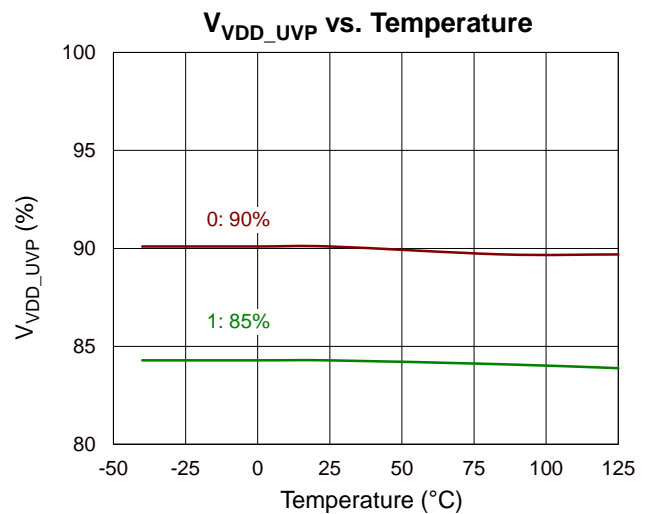
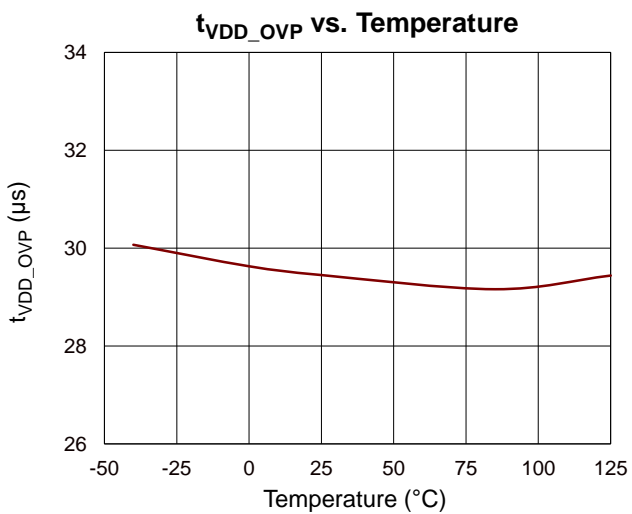
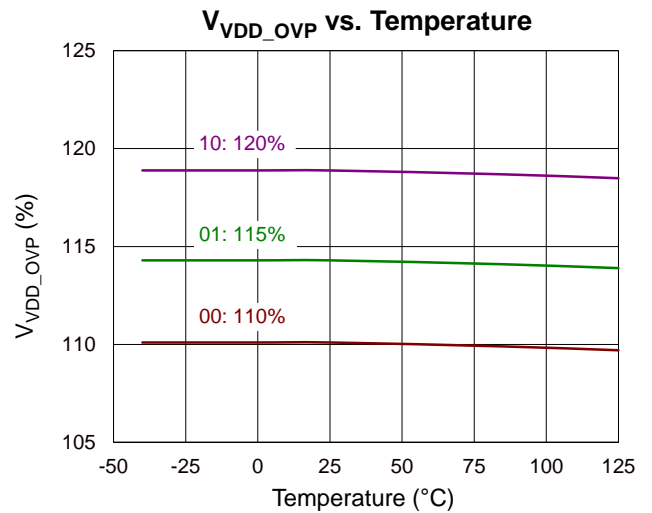
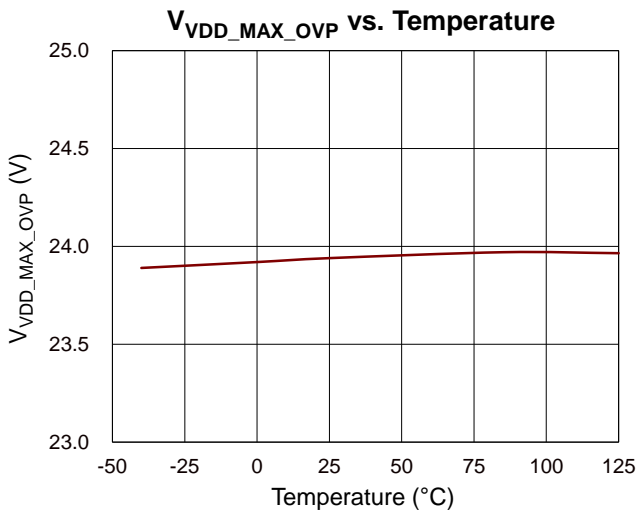
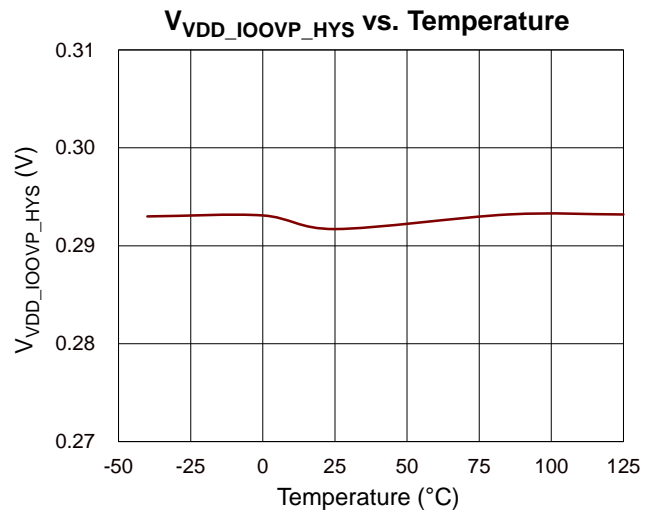
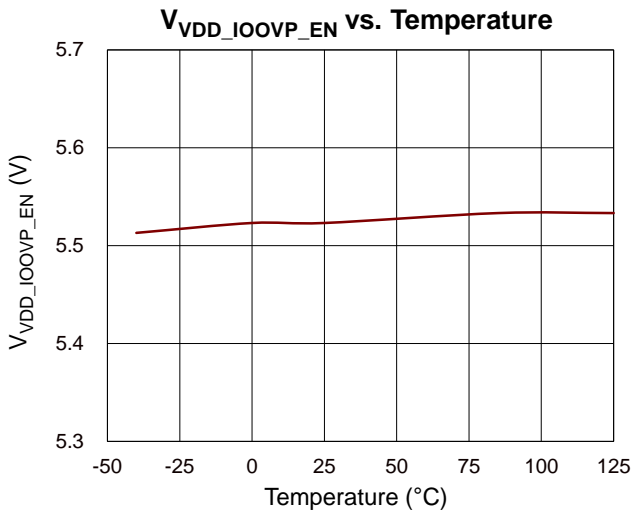
1. The selection of resistors R1, R2, R3, and capacitors C1, C3, and C4 should be based on the feedback compensation design requirements of the closed-loop power stage.
2. The R4 is an optional component for  $V_{IN}$  detection. If used, it is recommended to select a resistor with a tolerance of  $\pm 1\%$ .
3. The value of resistor R5 is determined by the desired turn-on and turn-off speed for power path.

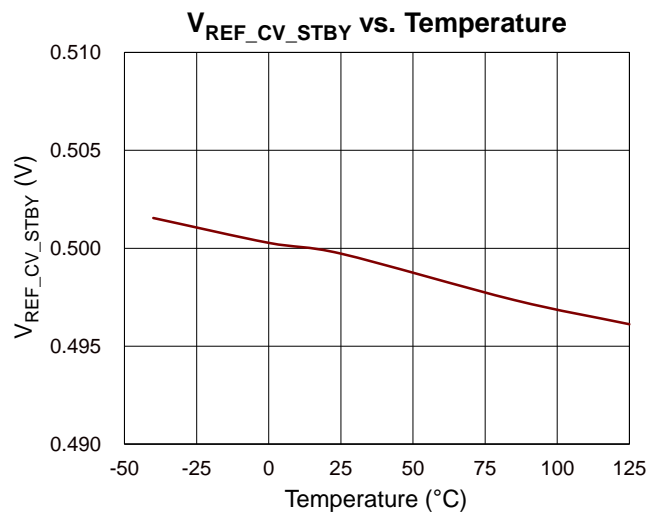
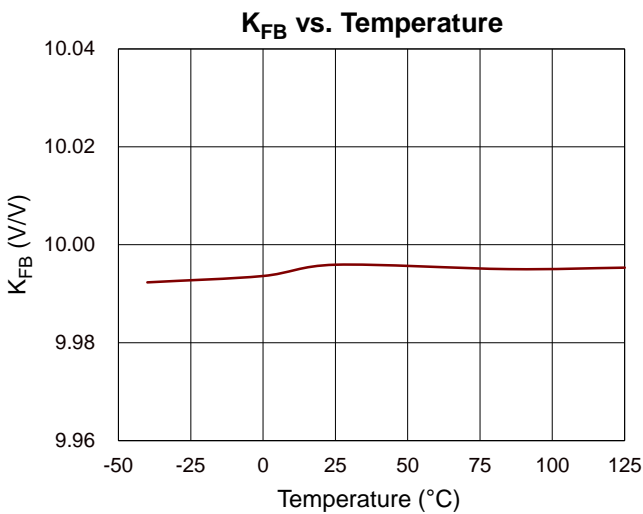
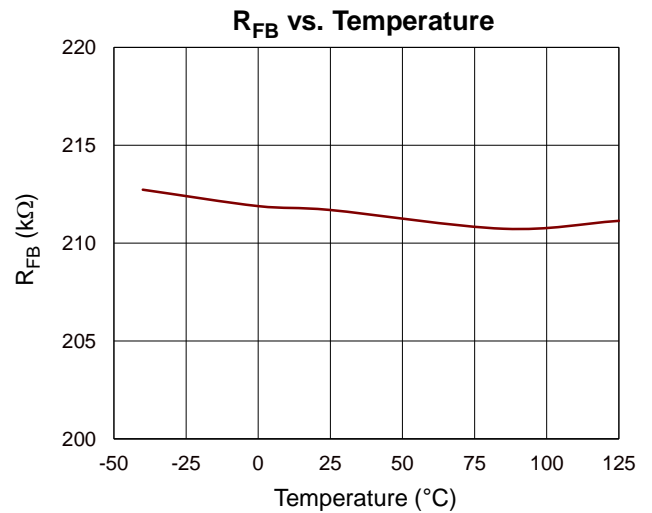
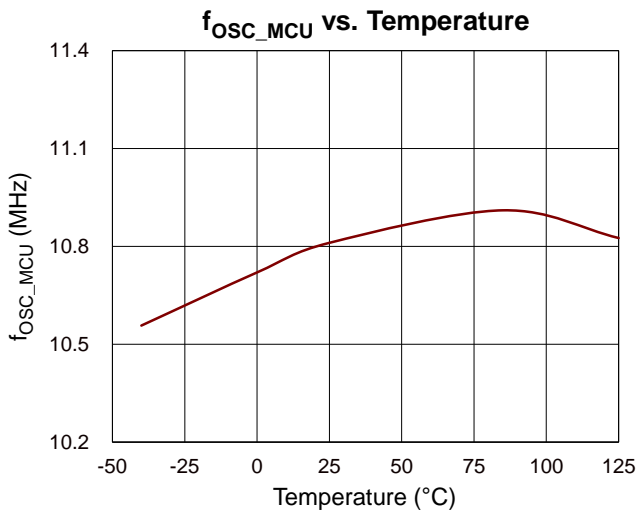
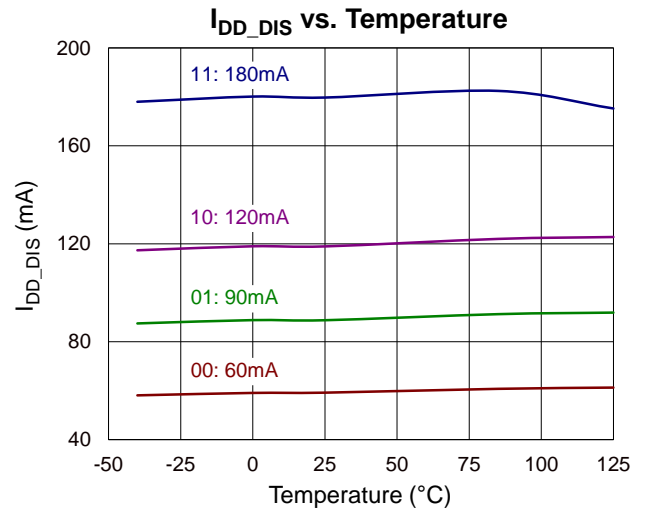
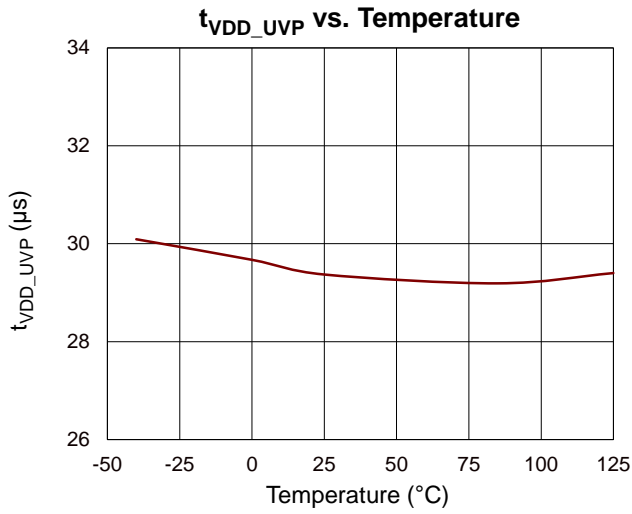
4. It is suggested to use 24V zener diodes for ZD1, ZD2, ZD3, and ZD4, specifically the BZX585-B24 model.
5. The values for capacitors C5 and C6 should be chosen in accordance with the USB PD specification:  $200\text{pF} \leq \text{cReceiver} \leq 600\text{pF}$ .

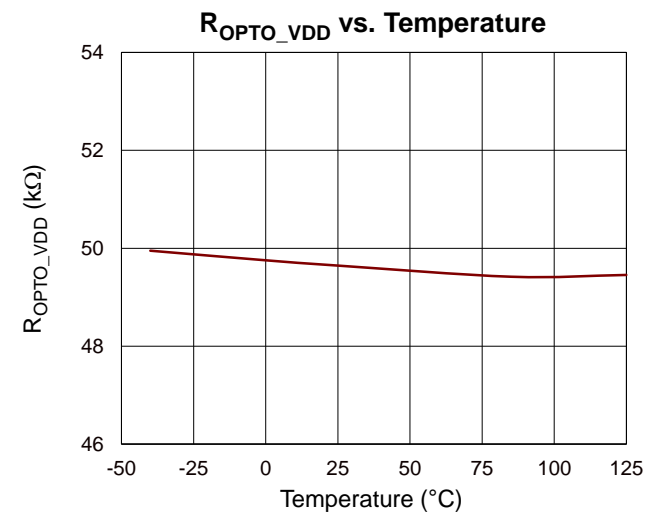
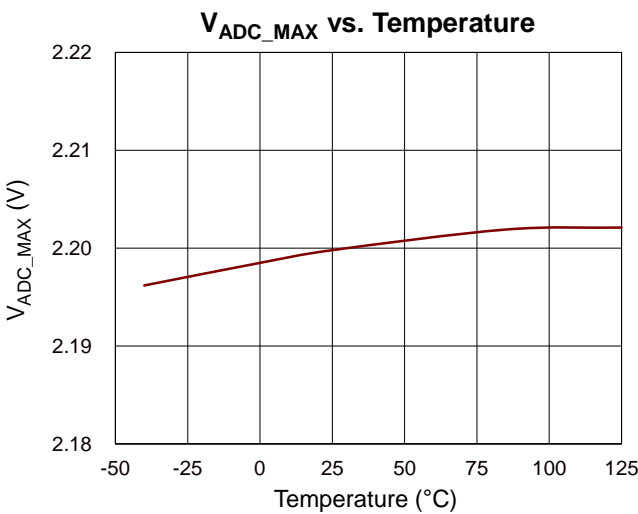
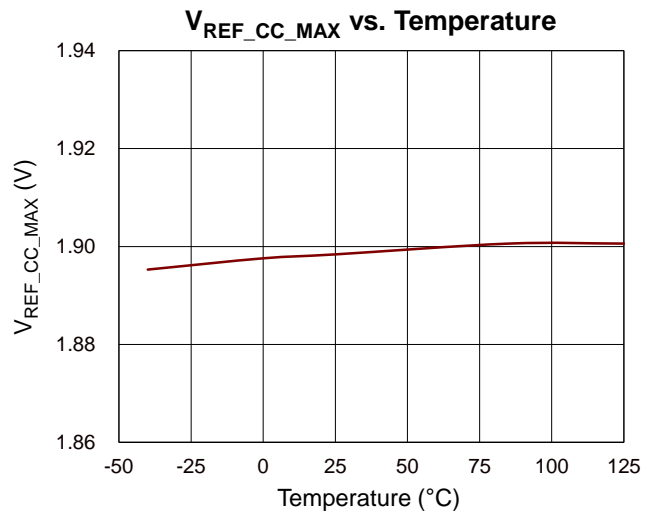
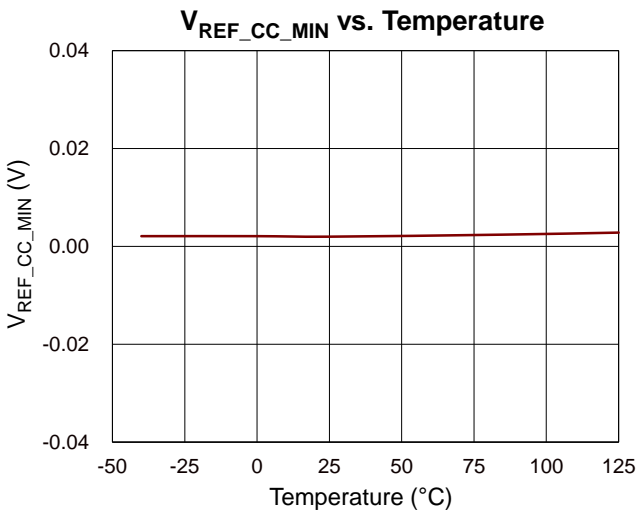
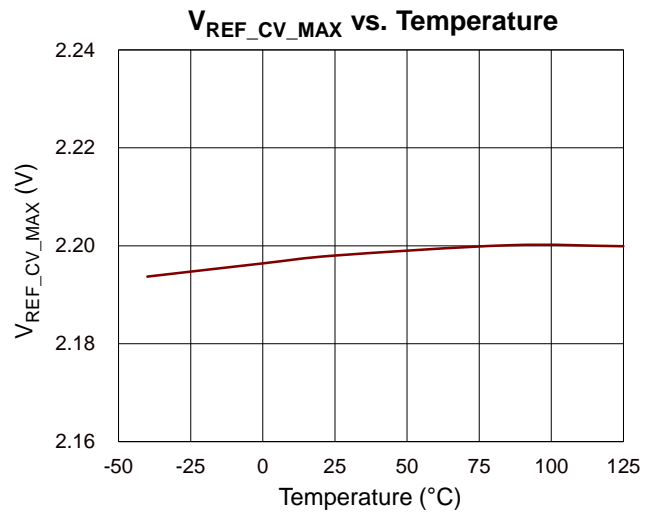
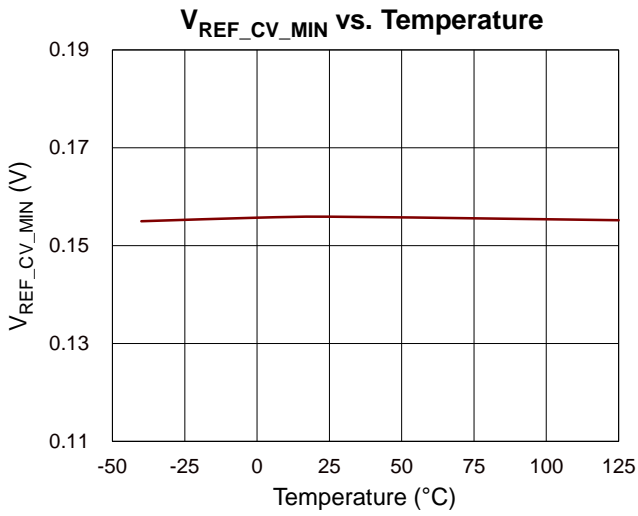
14 Typical Operating Characteristics

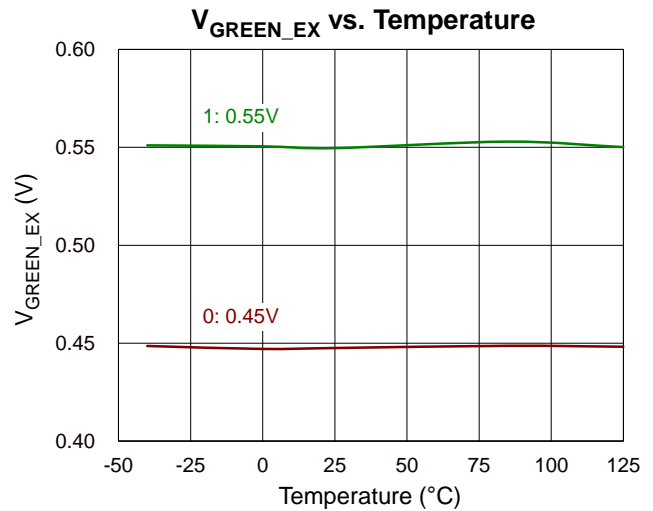
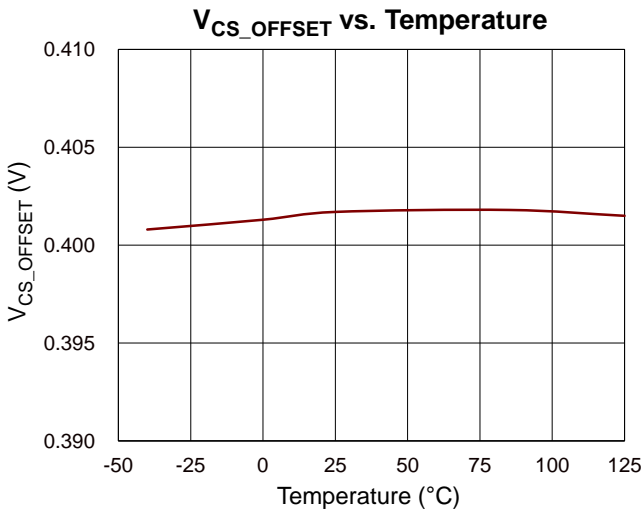
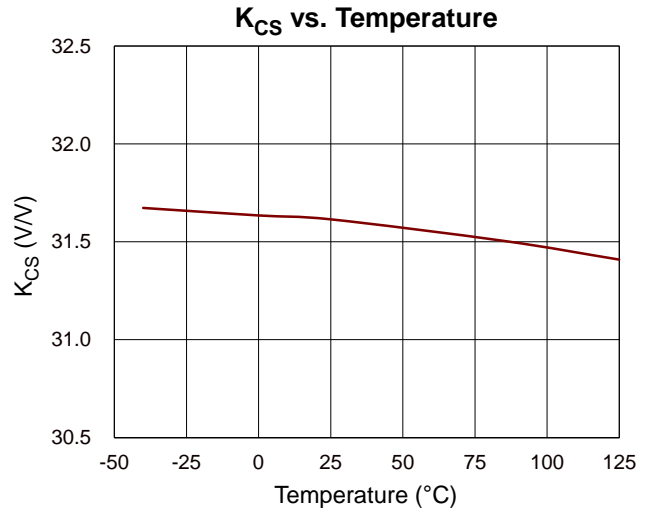
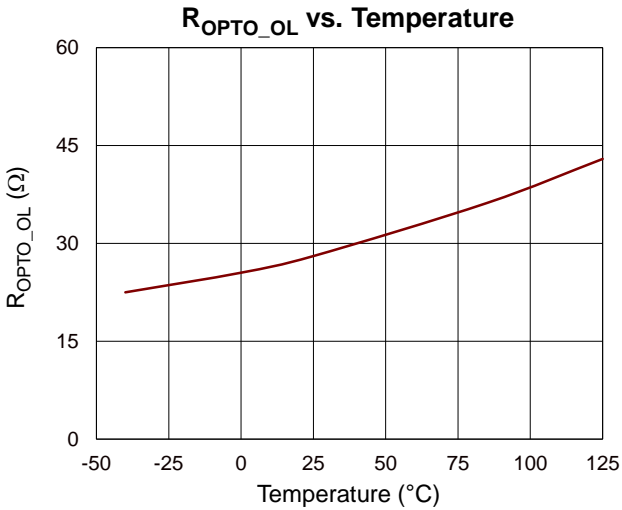
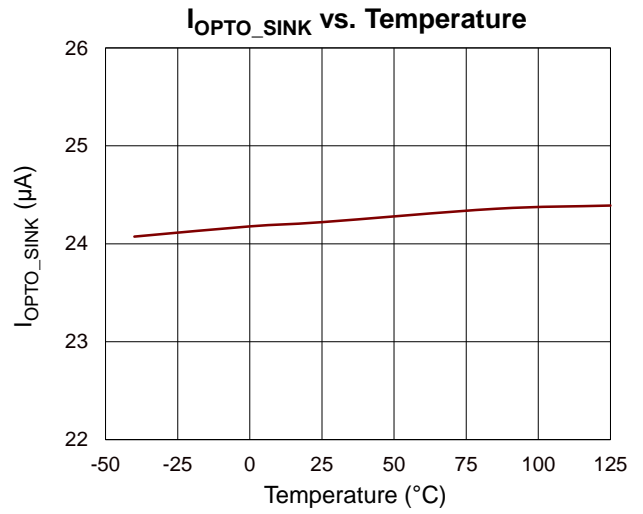
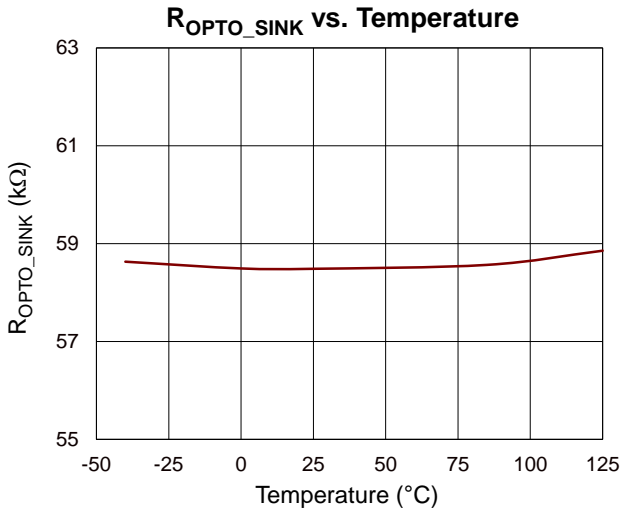


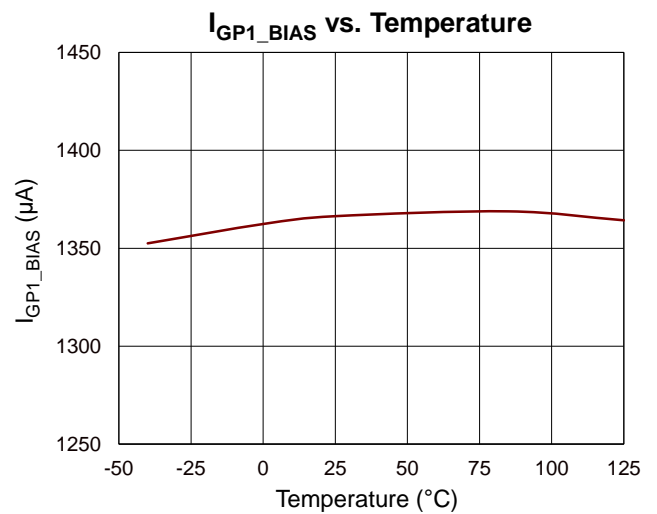
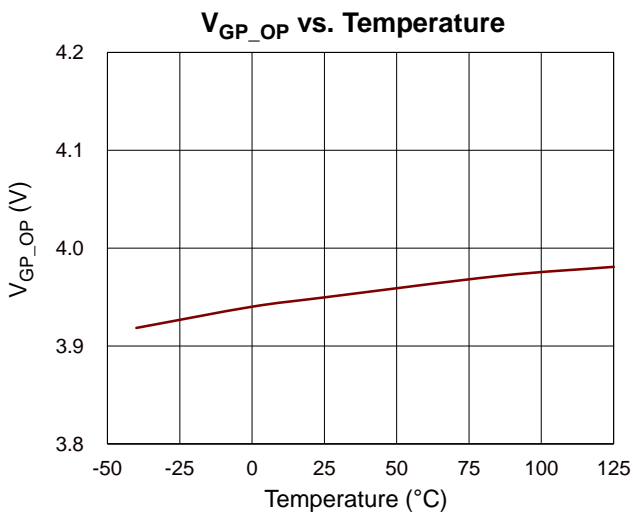
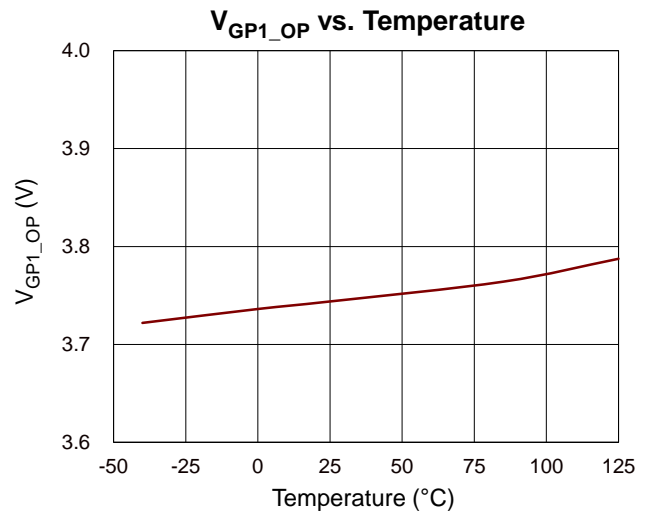
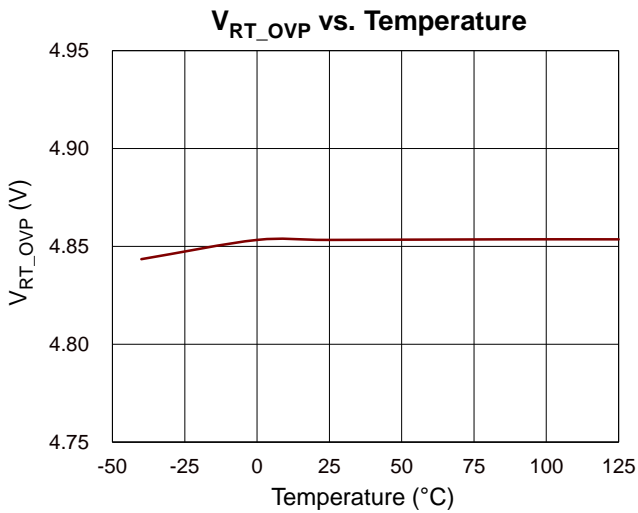
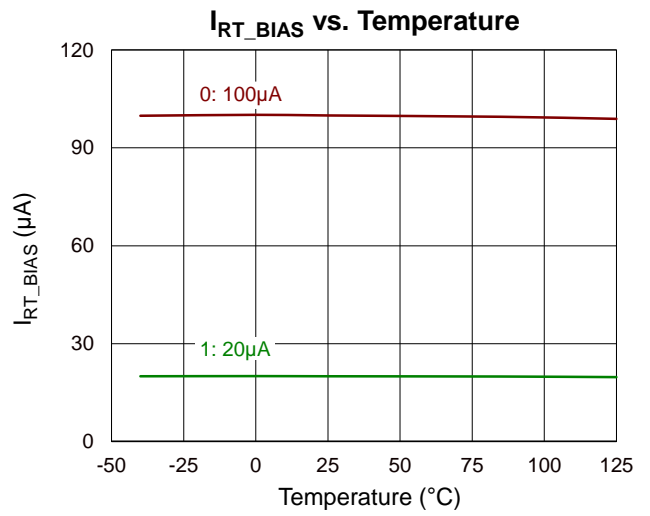
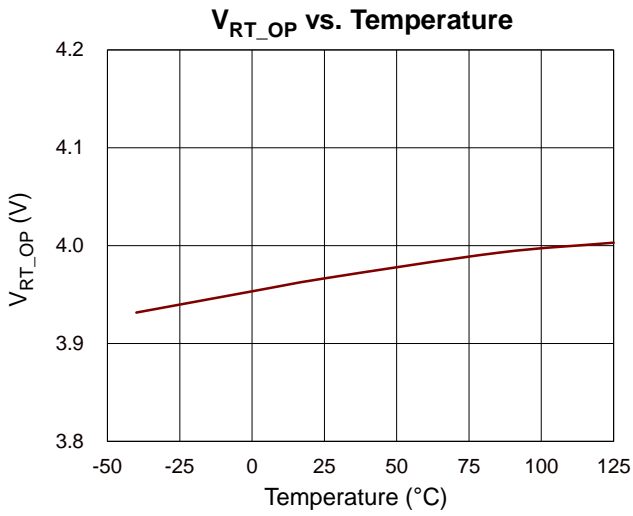


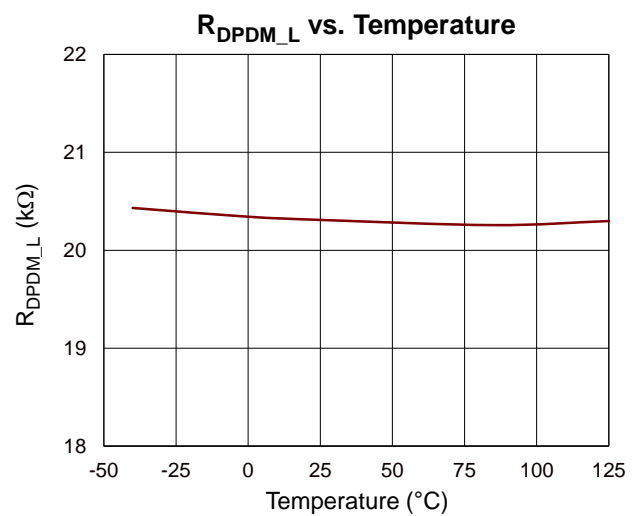
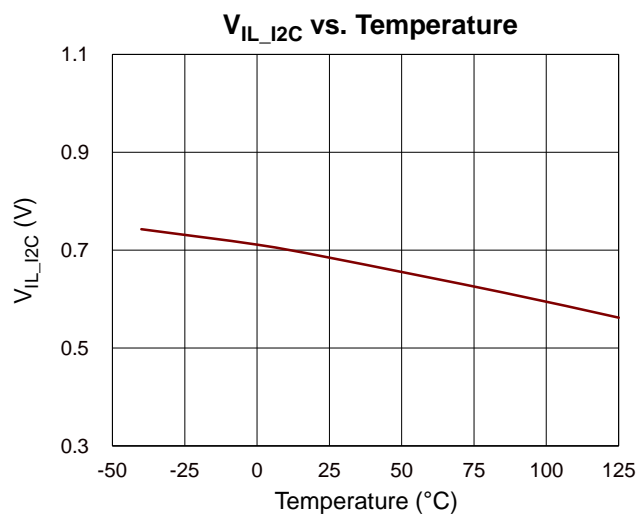
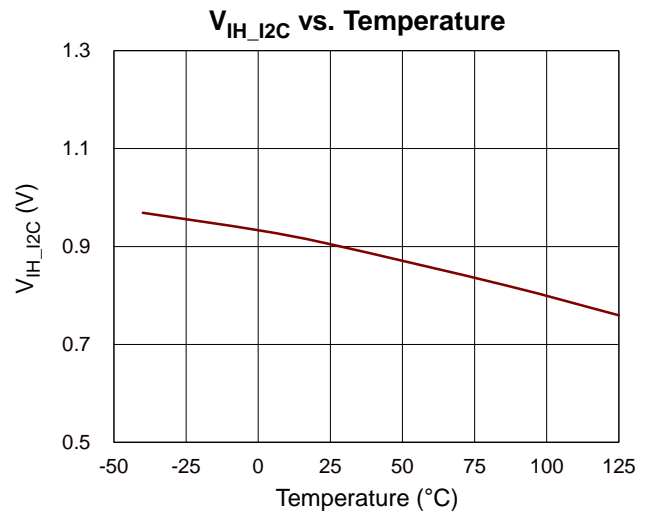
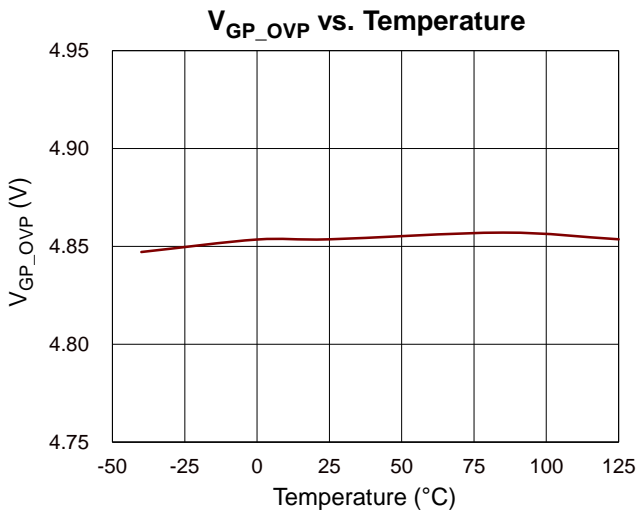
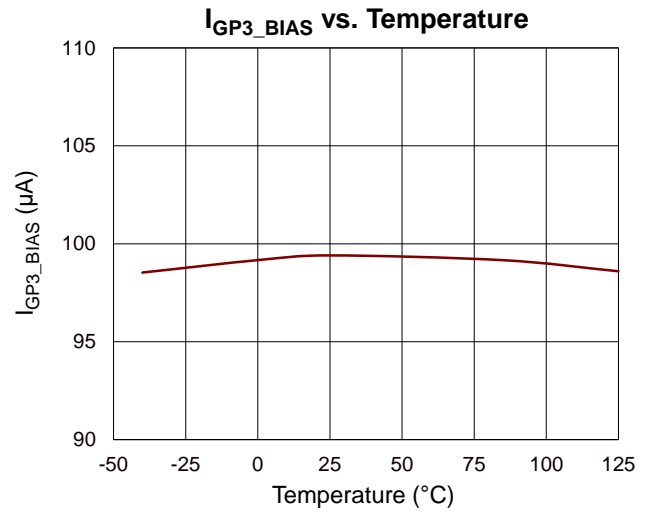
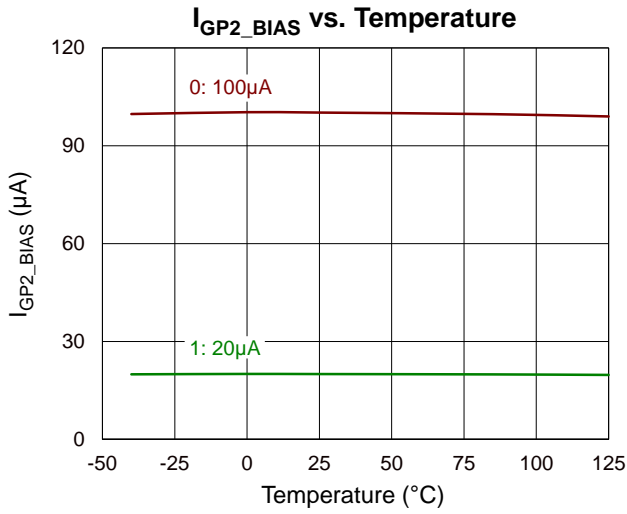




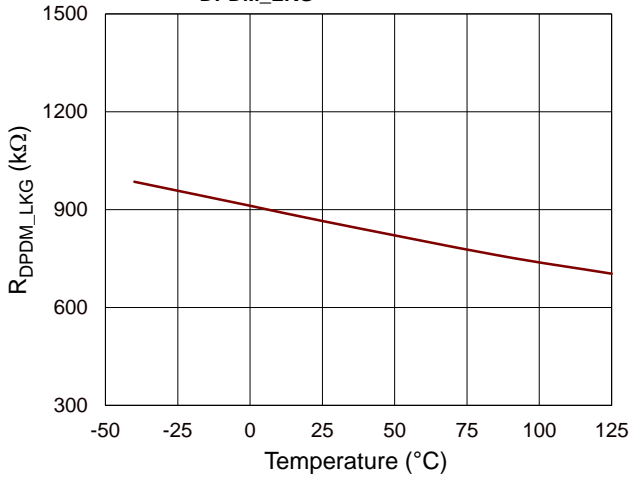




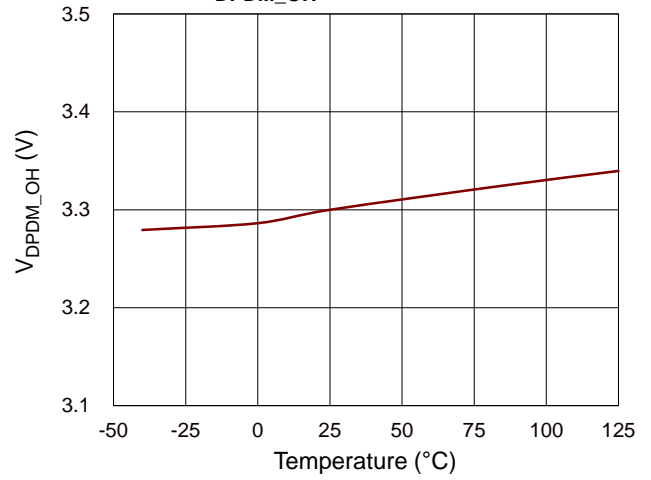




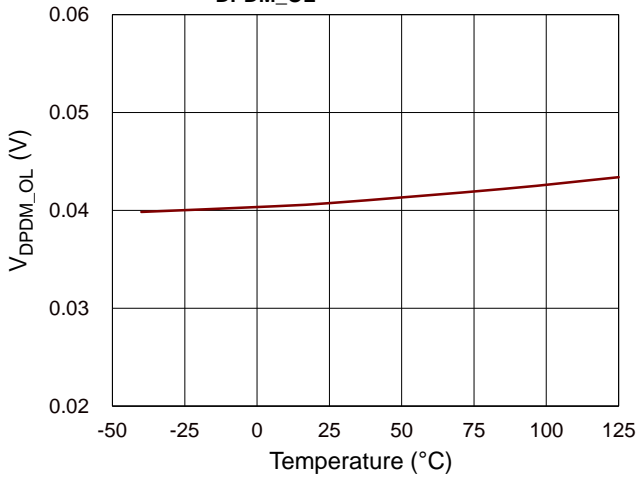
**$R_{DPDM\_LKG}$  vs. Temperature**



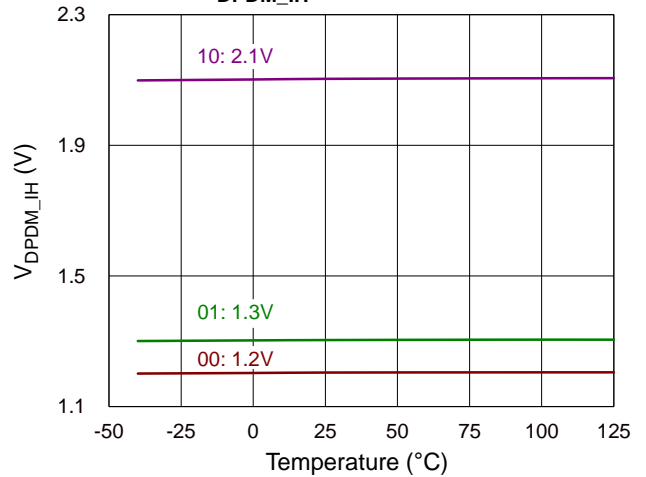
**$V_{DPDM\_OH}$  vs. Temperature**



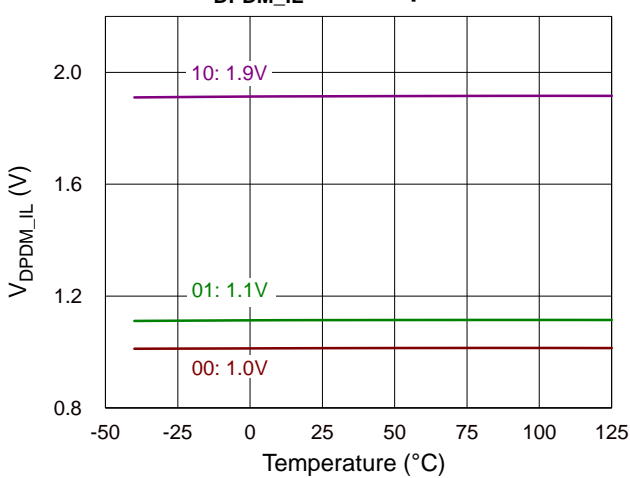
**$V_{DPDM\_OL}$  vs. Temperature**



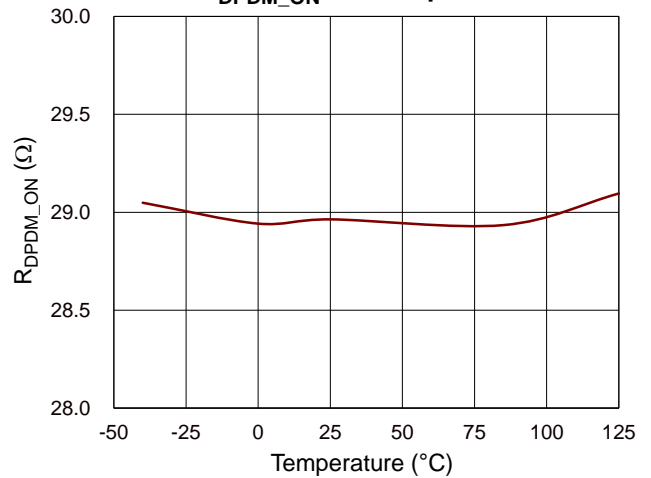
**$V_{DPDM\_IH}$  vs. Temperature**

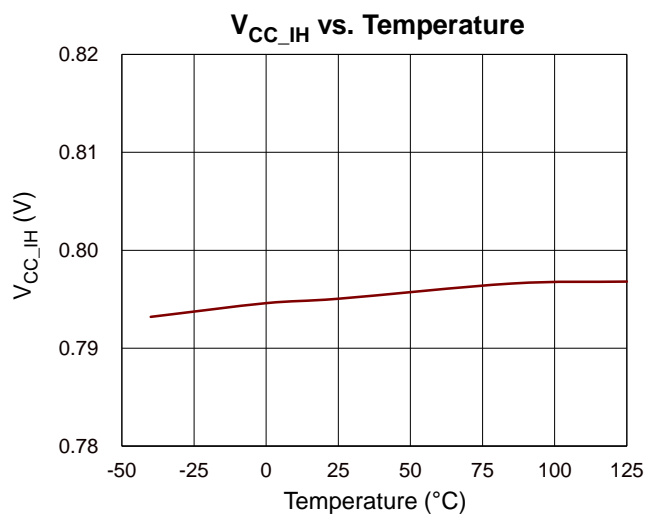
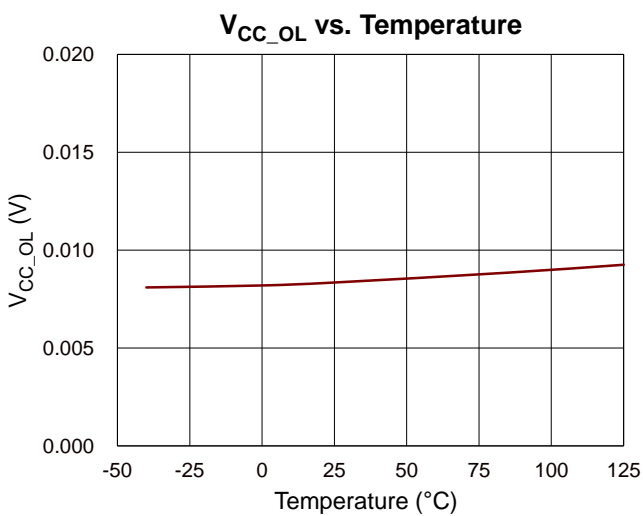
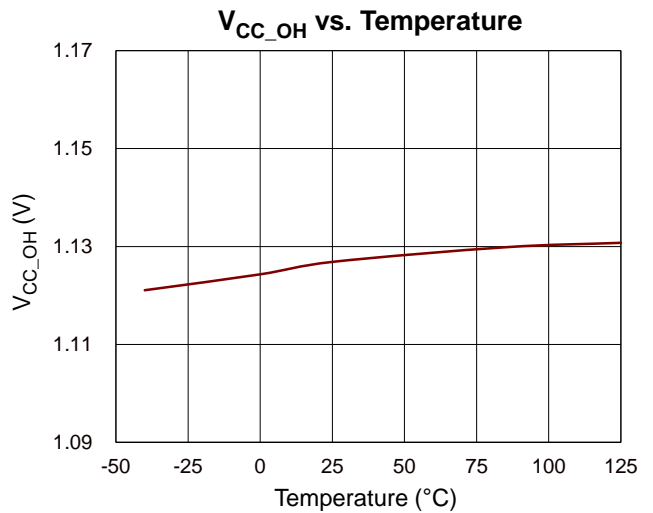
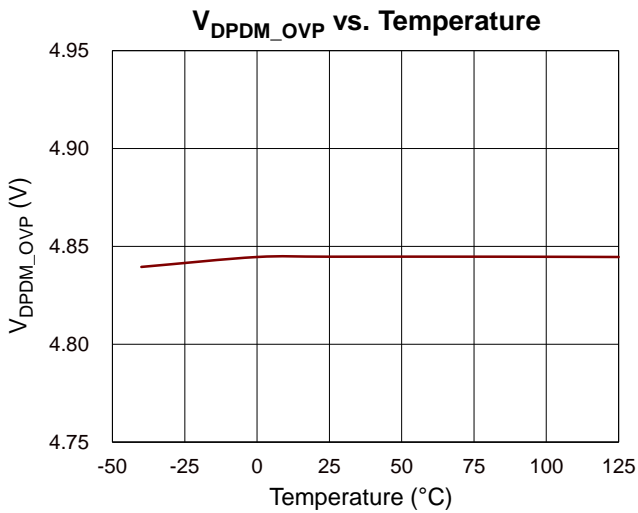
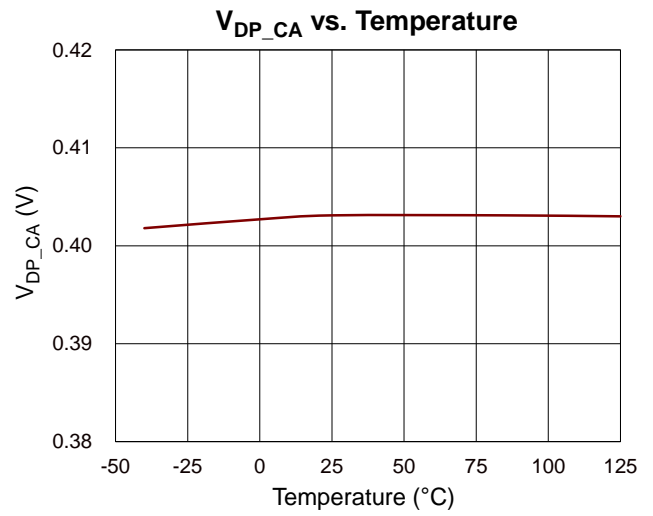
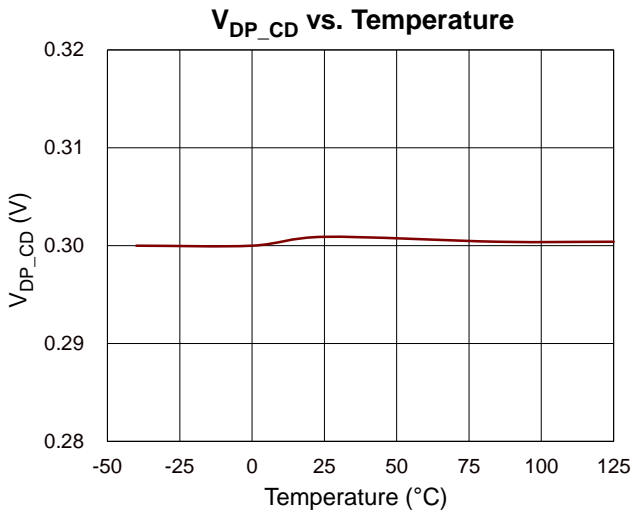


**$V_{DPDM\_IL}$  vs. Temperature**

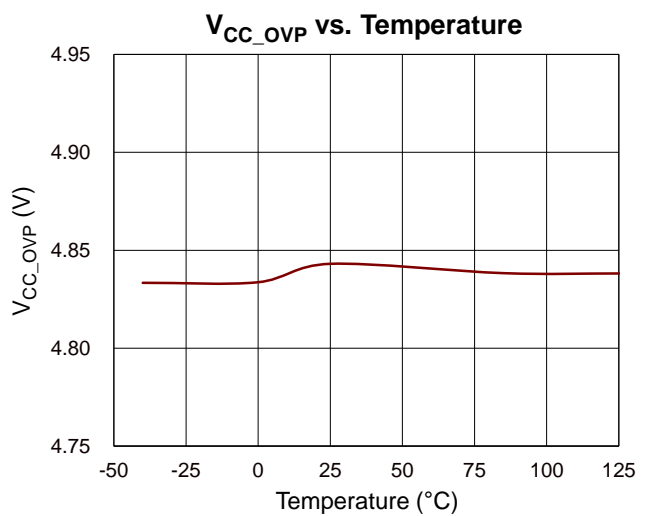
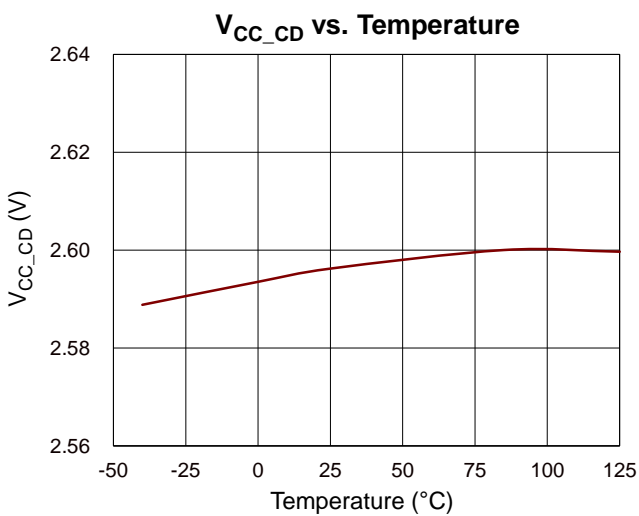
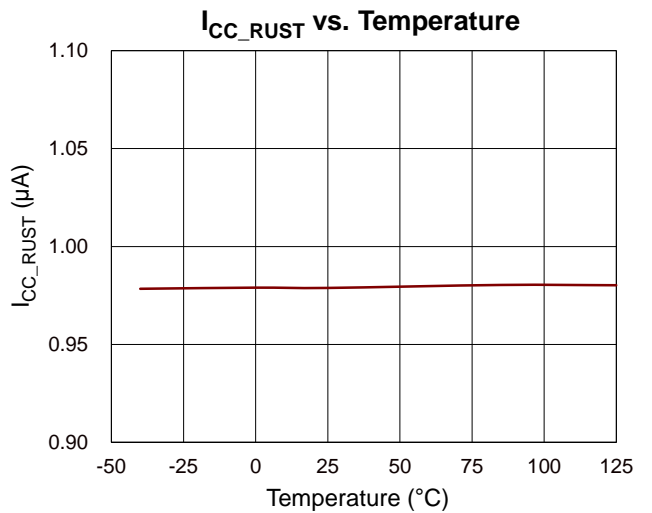
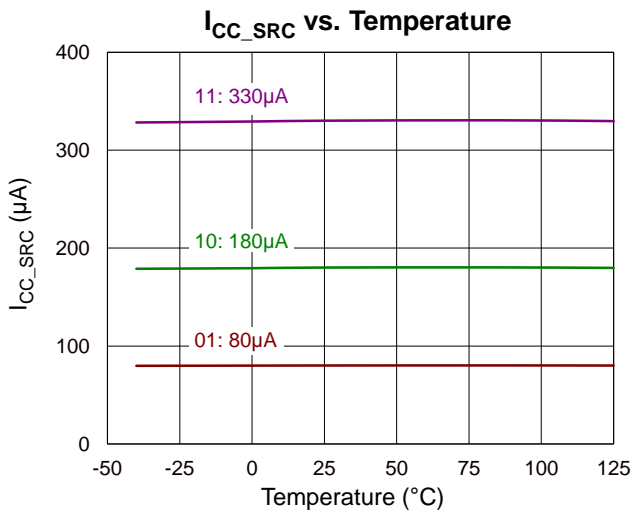
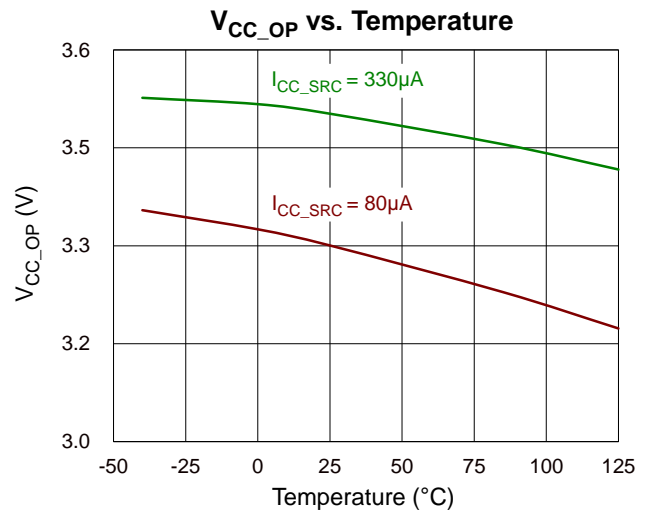
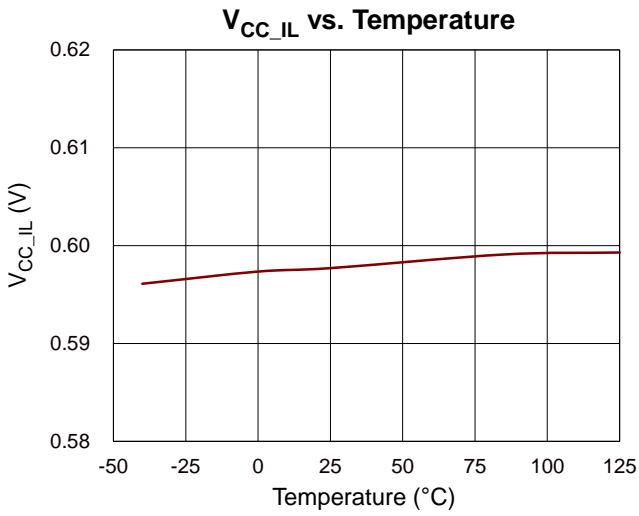


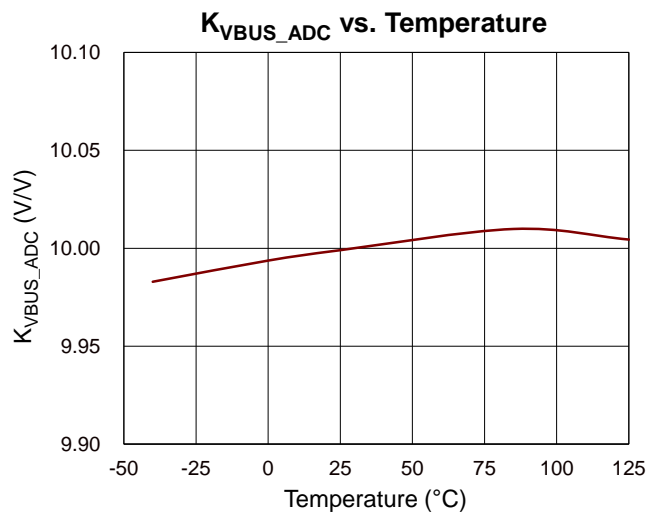
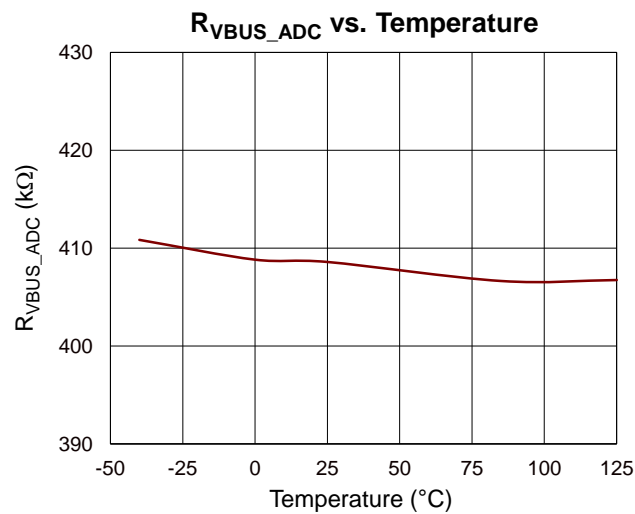
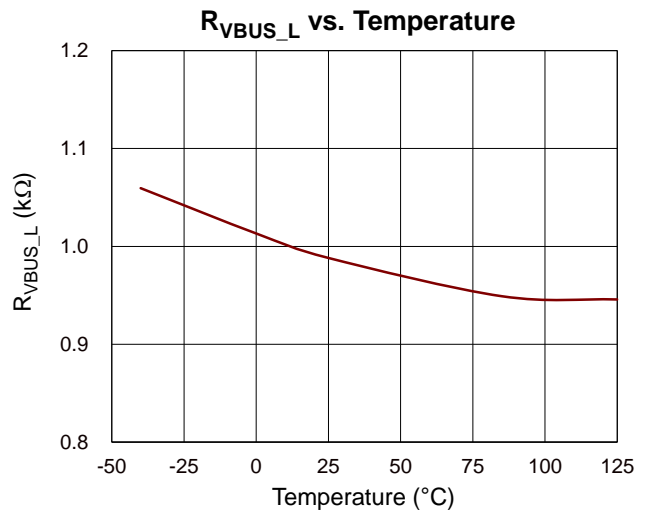
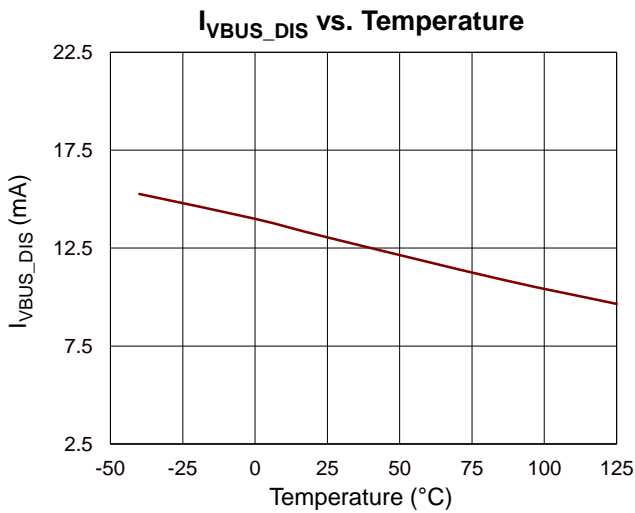
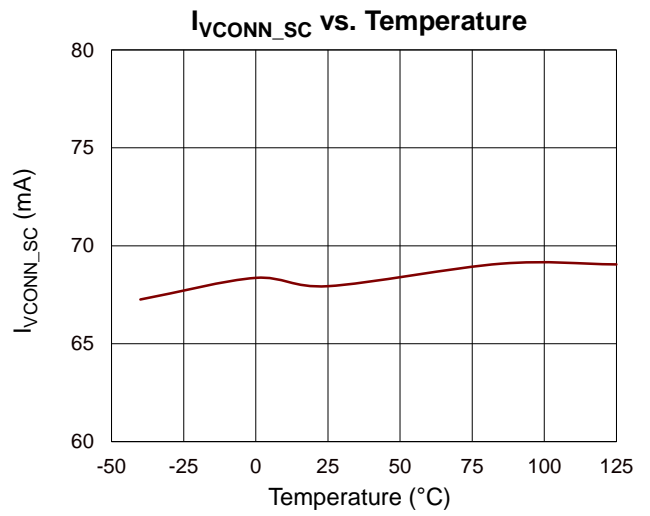
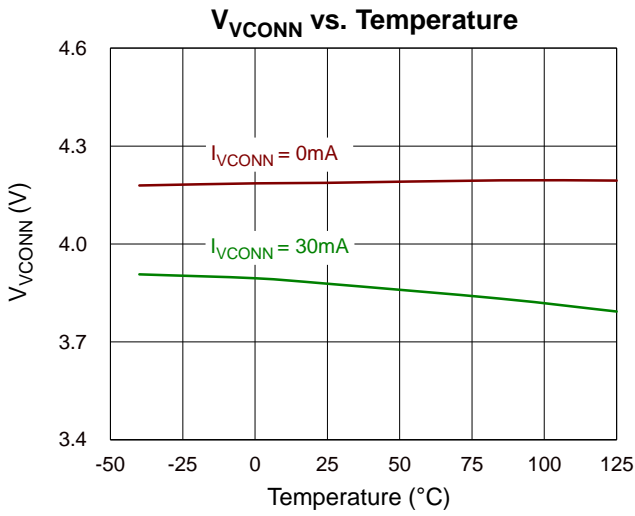
**$R_{DPDM\_ON}$  vs. Temperature**

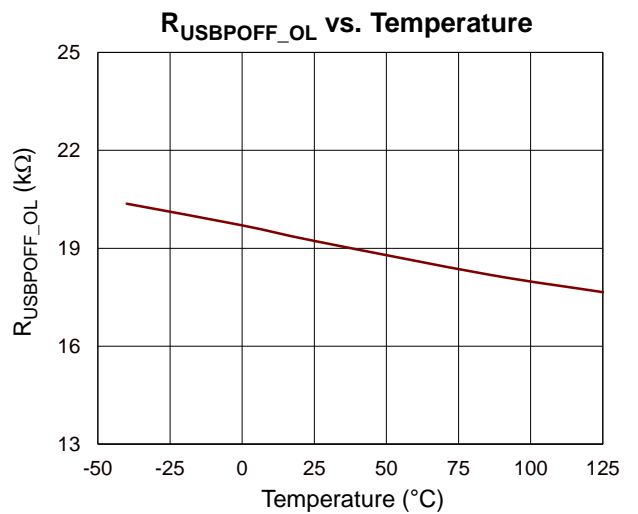
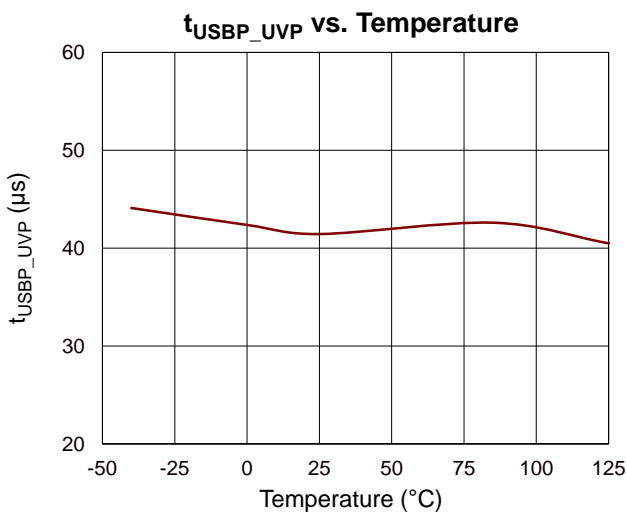
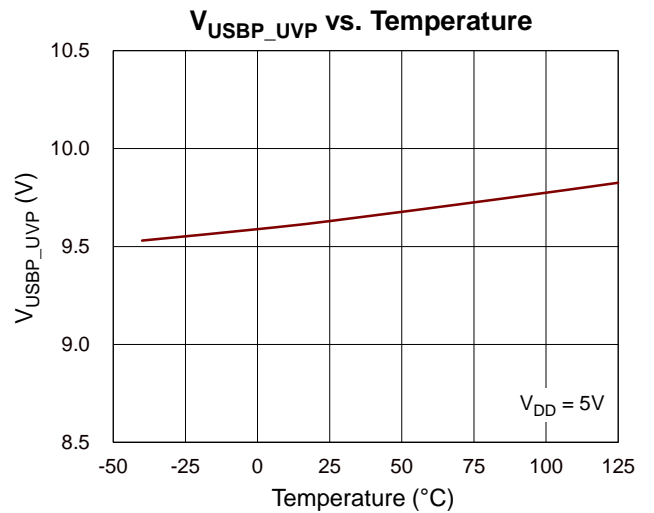
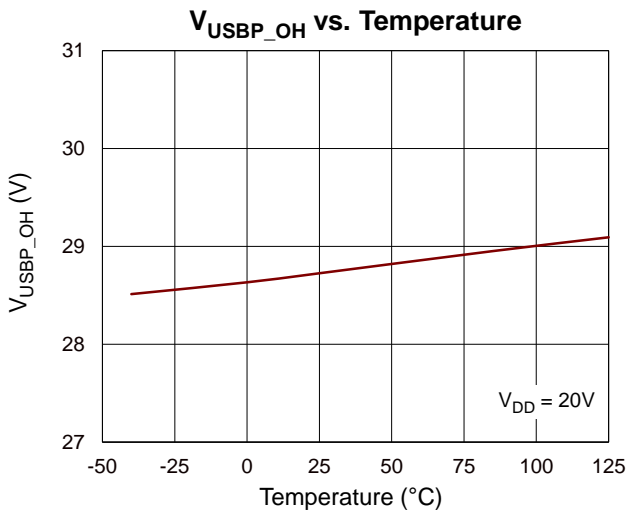
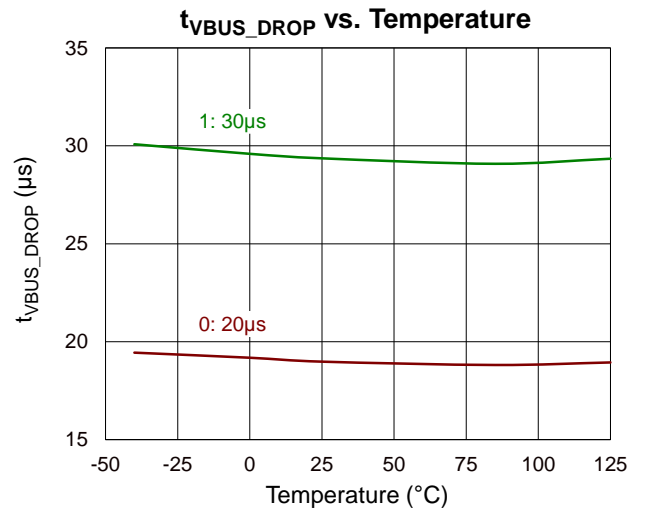
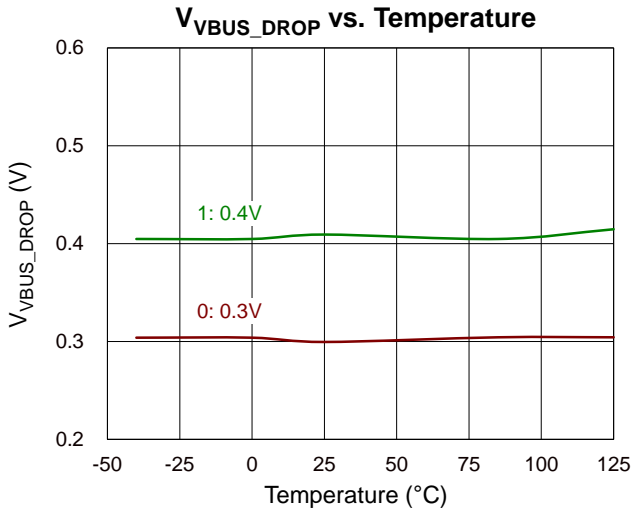


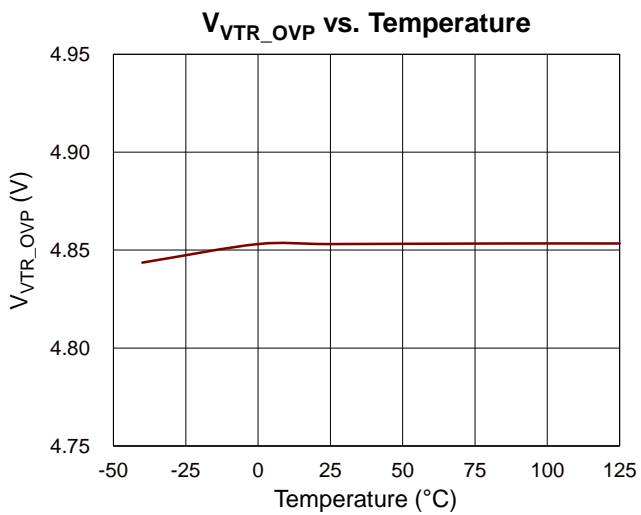
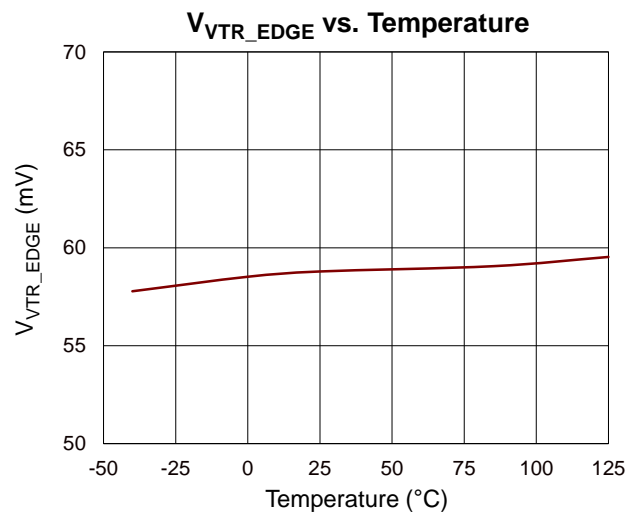
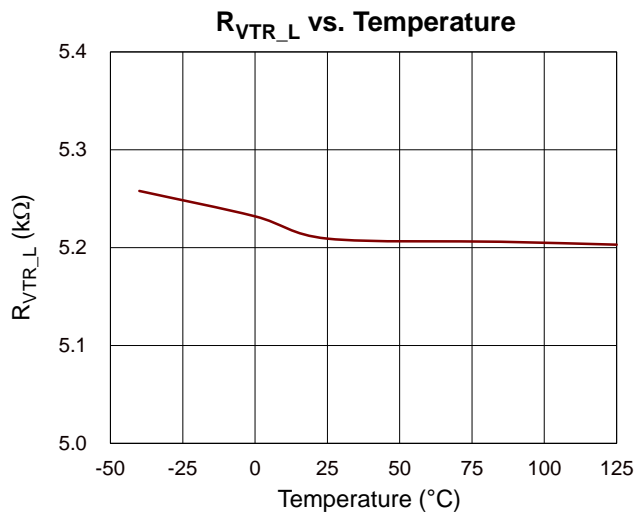












## 15 Operation

The RT7204E is a highly integrated secondary-side programmable controller, providing various functions and comprehensive protections for off-line AC-DC converters.

### 15.1 Power Structure

The RT7204E features internal regulated voltages, V5 and V2, which are derived from VDD supply. These voltages are utilized to power the internal circuit and the internal microprocessor (MCU), respectively.

### 15.2 Constant Voltage and Constant Current (CV/CC) Regulators

Two regulators are paralleled and connected to the OPTO pin, an open-drain output. Each feedback loop operates similarly to the traditional TL431 shunt regulator. However, the  $V_{OPTO}$  operating voltage range is broader, extending from 0.3V to 25V. This extended range facilitates the design of converters with a wider output voltage range. When the VDD voltage is below the turn-on threshold  $V_{VDD\_ON}$ , the OPTO pin remains in a high-impedance state. This feature is critical for ensuring a smooth power-on sequence. The reference voltages,  $V_{REF\_CV}$  and  $V_{REF\_CC}$ , for the voltage and current feedback loops are provided by the analog output voltages of an 11-bit DAC. With a resolution of 10mV for the DAC's CV output voltage, the system is capable of achieving high-precision CV and CC regulation.

### 15.3 Current Sense Amplifier

To minimize power loss of the current sense resistor, a low input offset amplifier with voltage gain of 32 is applied. When the  $5m\Omega$  (typical)  $R_{CS}$  goes with the voltage gain of 32, the resolution of the output current is approximately 6mA. The operation of the CV and CC loops is shown in Figure 1. The sensed output current is amplified by the current-sense amplifier as "Io\_signal", which is then sent to the current-loop regulator for constant-current regulation and also sent to the MCU, by way of an 11-bit ADC for analog-to-digital conversion, to update the output current status for the MCU.

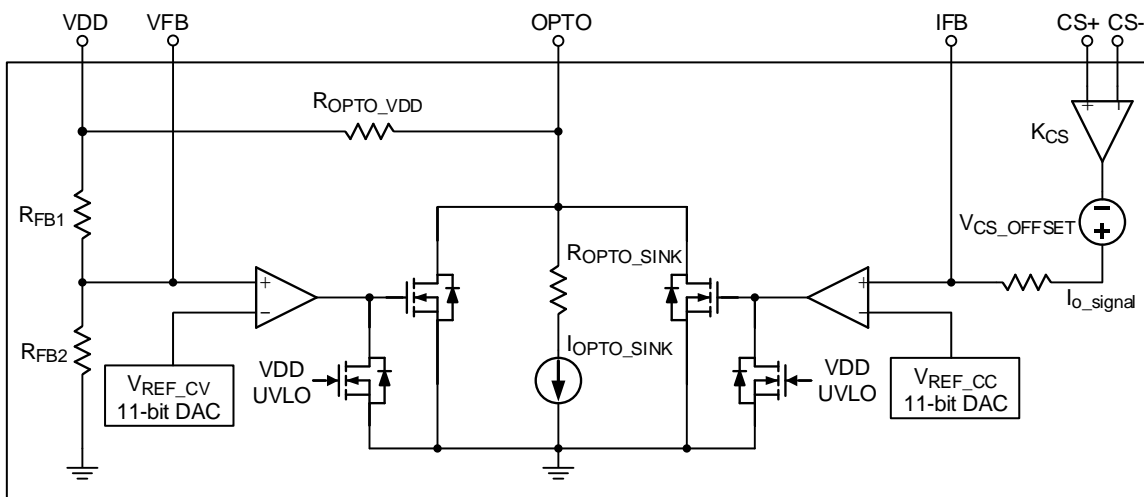


Figure 1. CV and CC Loops

15.4 External Temperature Sensing

As shown in [Figure 2](#), the RT7204E provides the RT pin as a register-programmable current source to bias a remote thermal sensor, such as a thermistor (NTC). If the RT voltage falls below the over-temperature protection (OTP) threshold and the condition sustains for a programmed delay time, the OTP will be triggered.

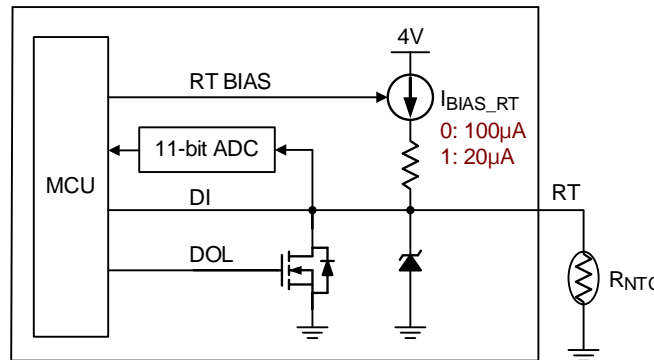


Figure 2. External Temperature Sensing

15.5 Interface of D+ and D-

The D+ and D- pins are used for BC1.2 compliance or for communication with other proprietary protocols. The D+ and D- pins, connected to the MCU via an ADC, can be reprogrammed for other purposes, including acting as analog or digital inputs or outputs, as shown in [Figure 3](#).

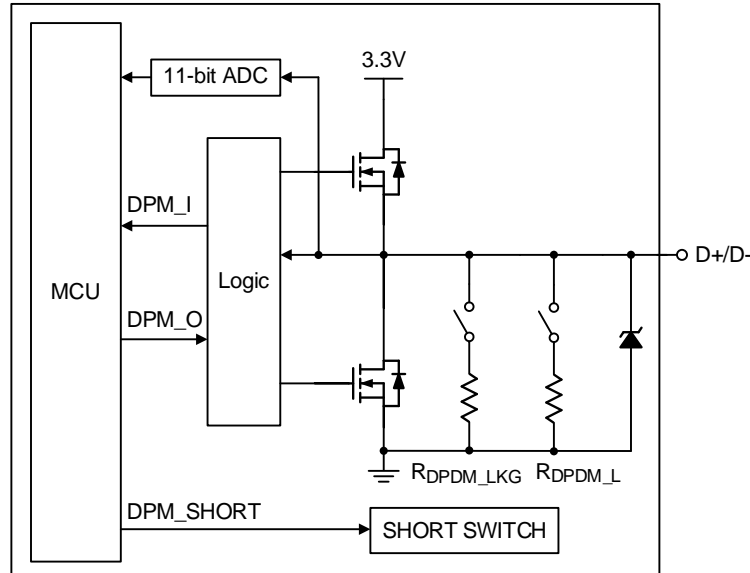


Figure 3. Interface of D+ and D-

15.6 Interface of CC1 and CC2

The CC1 and CC2 pins are used for compliance with the USB Type-C specification. When configured as a Downstream Facing Port (DFP), three current capabilities of 80 $\mu$ A, 180 $\mu$ A, and 330 $\mu$ A, provided by each of the CC pin, will be advertised to an Upstream Facing Port (UFP) as the default USB current, 1.5A, and 3.0A, respectively. If the resistor Ra on the powered cable termination is detected, the VCONN power and switches can be controlled by MCU with 100mW output capability during the identification of E-marked cable. The interface of CC1 and CC2 is shown in [Figure 4](#).

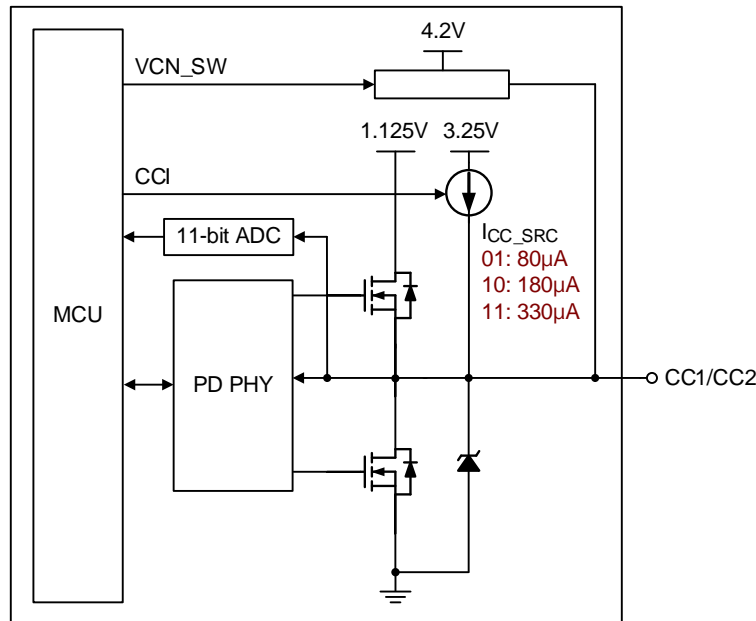


Figure 4. Interface of CC1 and CC2

15.7 Open-Drain Driver of The VBUS Pin

[Figure 5](#) shows the VBUS pin with the open-drain drivers. The internal bleeder circuit at the VBUS pin is used to discharge the VBUS capacitor to Vsafe0V upon the detachment of a connected device. The VBUS pin voltage provides real-time VBUS voltage detection by ADC, and the voltage between VDD and VBUS can be compared to achieve VBUS drop protection.

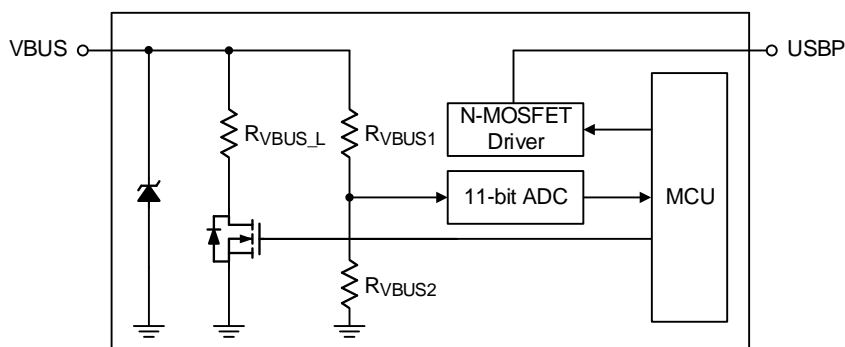


Figure 5. Open-Drain Driver of the VBUS Pin

15.8 I<sup>2</sup>C Communication

In multi-port applications, the RT7204E can share the output power through I<sup>2</sup>C communication by connecting GPIO1 (SDA) and GPIO2 (SCL) to the other master controller, respectively.

15.9 Rectification Detection

The RT7204E provides the VTR pin to sense the transformer voltage, which is the drain voltage of the SR MOSFET, as shown in Figure 6. By connecting the drain of SR MOSFET to the VTR pin through a divider resistor, the RT7204E can keep the divided voltage of SR V<sub>DS</sub> plateau and read the internal peak holding voltage, V<sub>VTR\_PH</sub>, by ADC for V<sub>IN</sub> detection. With a proper setting of VTR blanking time, the RT7204E can distinguish between the PWM switching and the DCM ringing to prevent false detection of the PWM switching state, which is used to achieve LPS protection.

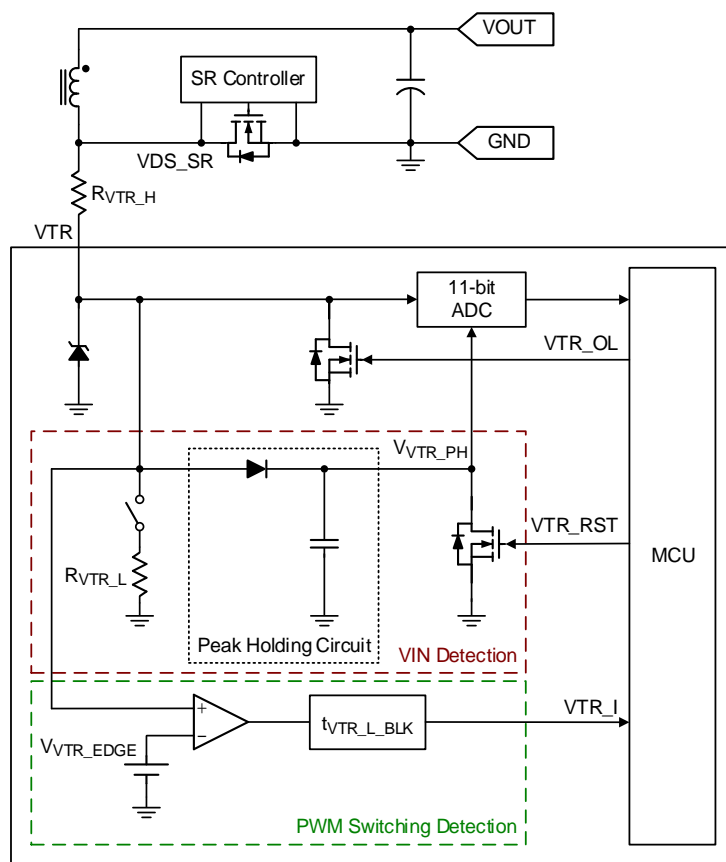


Figure 6. Rectification Detection



## 16 Application Information

(Note 8)

### 16.1 Constant Voltage (CV) Loop

As shown in [Figure 7](#), the RT7204E integrates two error amplifiers (EA), which are connected with the feedback compensators to regulate the output voltage and current, respectively. The output voltage is determined by the following equation:

$$V_{OUT} = K_{FB} \times V_{REF\_CV}$$

where

$$K_{FB} = (R_{FB1} + R_{FB2}) / R_{FB2} = 10$$

Therefore, the  $V_{OUT}$  is determined by  $V_{REF\_CV}$ , the analog output from the DAC, which is controlled by MCU.

### 16.2 Constant Current (CC) Loop

As shown in [Figure 7](#), the RT7204E integrates a virtually zero input offset high-side current-sense amplifier with differential mode inputs to minimize noise interference. The sensed signal,  $I_{o\_signal}$ , is fed into an 11-bit ADC for monitoring and processing by the MCU. The reference voltage of the CC loop is determined by  $V_{REF\_CC}$  (from the DAC), which is programmed according to the requirements of charger.

Both the constant voltage and the constant current compensation loops are connected to the OPTO pin. The OPTO driver sinks current through an external resistor  $R_D$  and an optocoupler that isolates the secondary side from the primary side, and then feedbacks the compensation signal to the primary side. Note that for better linearity of the loop compensation range,  $R_D$  should be designed to cover the operation at the minimum output voltage.

$$\frac{(V_{OUT\_MIN} - V_F - 0.3V)}{R_D} \times CTR \geq I_{COMP\_MAX}$$

where

CTR: Current transfer ratio of the optocoupler

$V_F$ : Forward voltage of the optocoupler

0.3V: The minimum OPTO voltage for the OPTO driver to sink the minimum OPTO sink current

$I_{COMP\_MAX}$ : The maximum COMP sourcing current of a traditional PWM controller in the primary side. It is a current sourced from an internal bias through a built-in pull-up resistor connected to the COMP pin in the PWM controller.

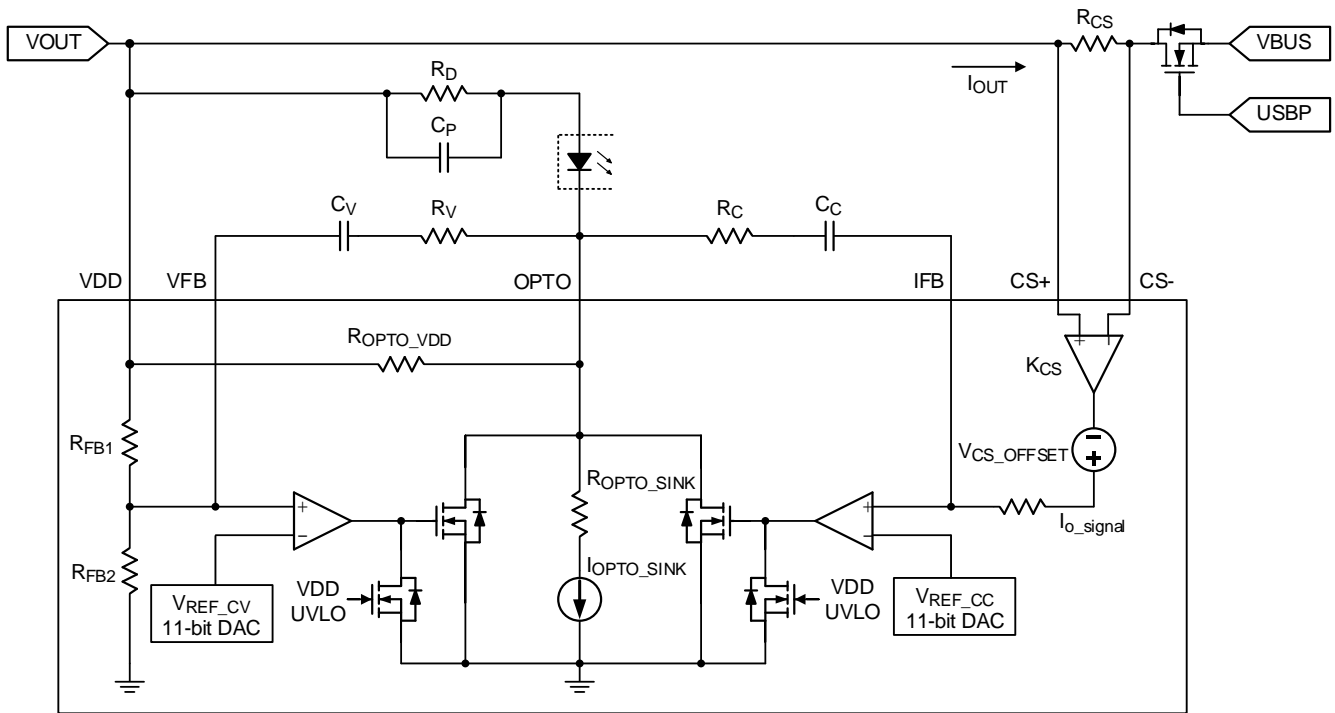


Figure 7. CV and CC Loops

### 16.3 Power-Up Sequence

Figure 8 shows the timing diagram for the power-up sequence. When start-up, the default output voltage is set to 5V. Once a Type-C cable is connected, the UFP delivers voltage and current settings to the RT7204E, enabling the MCU to decode these settings and program reference voltages,  $V_{REF\_CV}$  and  $V_{REF\_CC}$ , for the CV and CC loops. These loops are the analog outputs converted by the DAC.

The RT7204E directly drives an external blocking N-MOSFET on the USBP pin, which features a programmable soft-start function to ensure a smooth VBUS turn-on under capacitive load conditions. If the Type-C cable is disconnected, or if the output current falls below the power-saving mode threshold, typically set at 200mA, the RT7204E will enter power-saving mode. In this mode, it operates with ultra-low current, significantly reducing total input power. Conversely, if the output current increases and exceeds the power-saving mode threshold, or if any input/output signal is toggled, the RT7204E will exit power-saving mode.

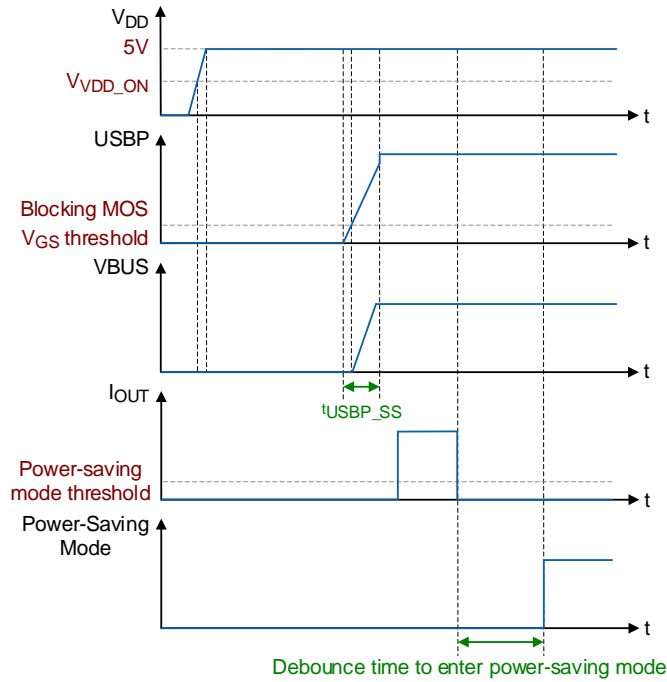
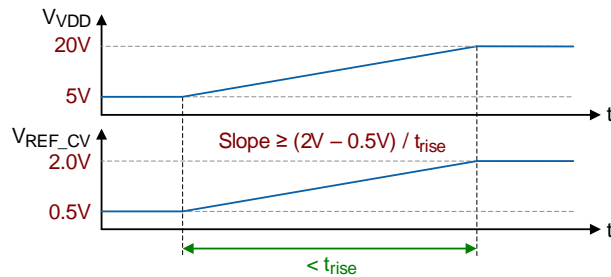


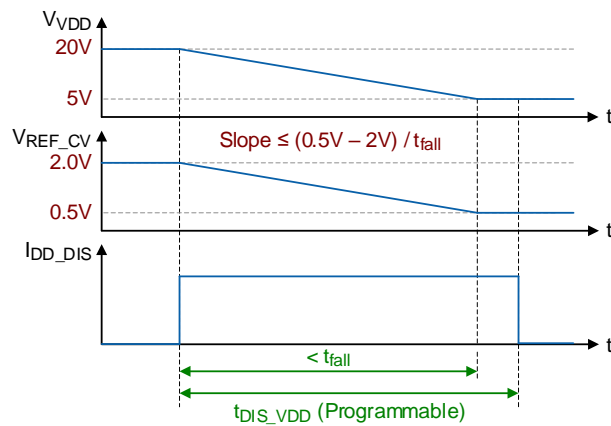
Figure 8. The Output Sequence during Start-Up

### 16.4 Output Voltage Rises and Falls

When the protocol is detected, the reference voltage  $V_{REF\_CV}$  can be set by the request of UFP. Both the rise time and fall time of output voltages should be less than the defined specification, as shown in [Figure 9](#).



(a) Output Voltage Rising



(b) Output Voltage Falling

Figure 9. Output Voltage Transient Waveforms

The RT7204E provides a control for the discharge current from the VDD pin. This function serves as a bleeder to facilitate the discharge of the output capacitor to  $V_{safe5V}$  upon the detachment of a connected device, or to a lower desired output voltage level upon a UFP request, such as VOUT from 20V to 5V. During the falling interval, the capability of  $I_{DD\_DIS}$  must take the operating voltage and the output capacitors of the system into consideration. The discharge current can be programmed by the internal register according to VDD voltage level, as shown in Figure 10.

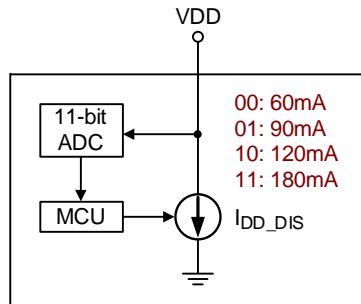


Figure 10. Discharge Current Control from The VDD Pin

### 16.5 Output Overvoltage Protection

As shown in the Figure 11, the RT7204E provides a fast turn-off blocking N-MOSFET as a backup VOUT overvoltage protection mechanism, in the event of malfunction due to aging of the optocoupler in the feedback loop. If the internal voltage related to VDD exceeds the programmable threshold  $V_{VDD\_OV}$ , the blocking N-MOSFET will be turned off immediately. Meanwhile, a fault flag will be sent to the embedded MCU to enable customized protection behavior.

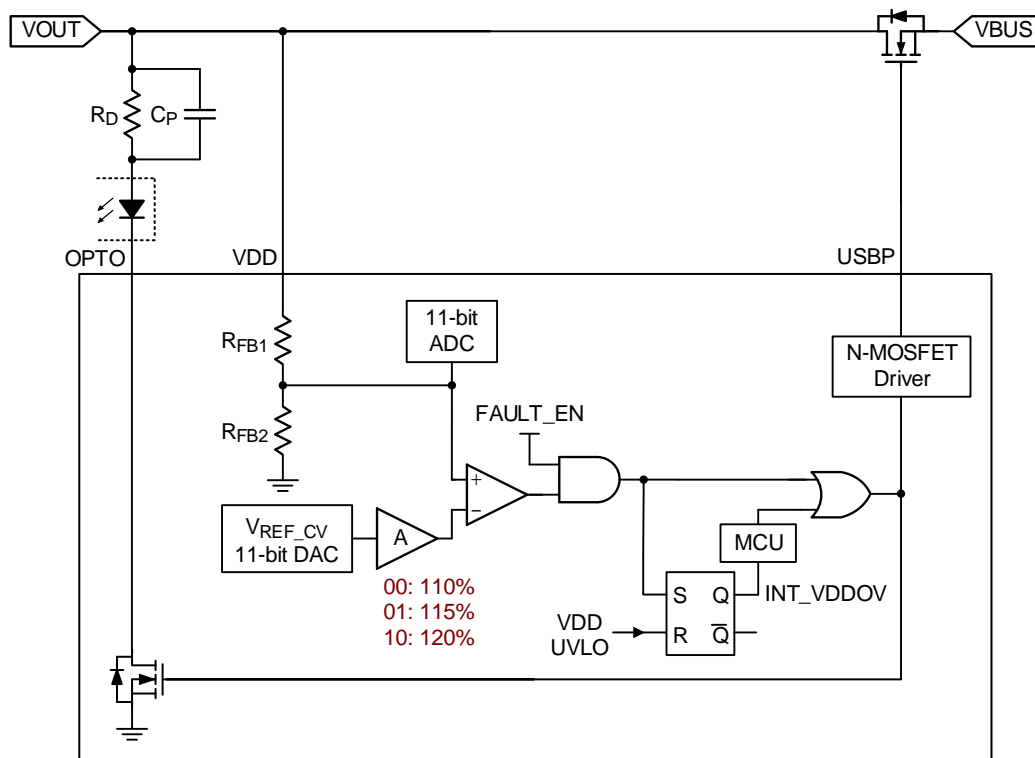


Figure 11. OVP Functional Diagram

For the typical protection behavior of shutdown with auto-recovery, the OPTO pin voltage will be latched low to limit the output power until the VDD voltage drops below the VDD turn-off threshold  $V_{VDD\_OFF}$ , as shown in [Figure 12](#). After VDD is turned off,  $V_{OPTO}$  is released and VDD will be automatically powered up again.

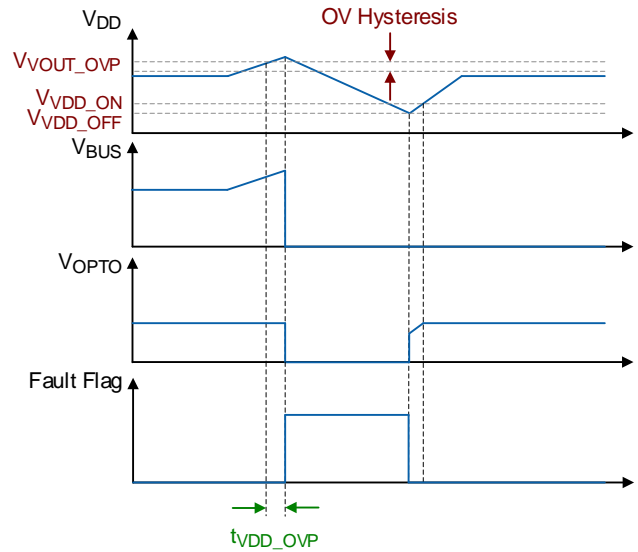


Figure 12. Timing Sequence of the OVP Function

16.6 Blocking N-MOSFET Control

The RT7204E provides a charge-pump driver for controlling an external blocking N-MOSFET, which is shown in [Figure 13](#). The N-MOSFET is activated once the communication is set up with an UFP, or a sink termination resistor  $R_d$  at the CC1/CC2 pin of a USB Type-C connector is detected. The blocking N-MOSFET can be quickly turned off in the event of any fault condition. In the case of a  $V_{OUT}$  overvoltage condition, the blocking N-MOSFET will be turned off to protect the UFP from potential damage. When  $V_{OUT}$  is shorted to GND, the N-MOSFET will automatically turn off, and the output power will be limited. Additionally, to prevent the IO pins from damaging due to abnormal contact with  $V_{BUS}$  at the USB Type-C receptacle, a quick-interruption feature is designed to turn off the blocking N-MOSFET.

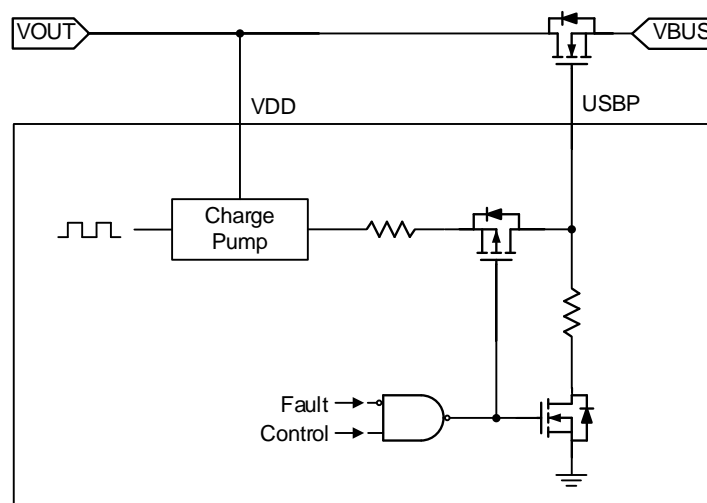


Figure 13. Blocking N-MOSFET Control

16.7 VBUS Drop Protection

The VBUS drop protection provides an additional mechanism to protect the output short circuit, as shown in [Figure 14](#). It is designed to detect the voltage difference between VDD and VBUS, which includes current-sense resistor and blocking N-MOSFET drain-to-source. When the voltage difference exceeds the VBUS drop threshold, the blocking N-MOSFET will be clamped-off immediately.

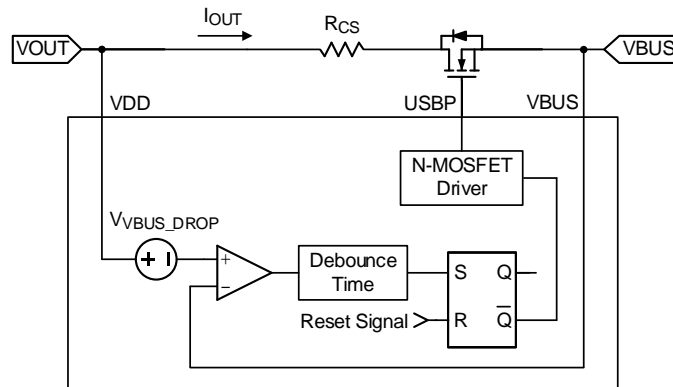


Figure 14. VBUS Drop Protection

16.8 Temperature Sensing and Thermal Protection

The RT7204E provides the RT pin for over-temperature protection or thermal monitoring. As shown in [Figure 2](#), the RT pin sources a constant bias current for a remote thermal sensor of an NTC thermistor, connected from the RT pin to GND, for temperature sensing. If the RT voltage falls below a programmable threshold voltage and the condition sustains for a programmable deglitch time, the over-temperature protection will be triggered.

The bias current passing through the RT pin can be programmed to either 100µA or 20µA via a register setting. Selecting the appropriate bias current enhances the linearity of the temperature sensing function across a temperature range of 25°C to 100°C. Additionally, The RT7204E can transmit the sensed RT voltage signal to the UFP via the protocol (Vendor Defined Message), if necessary. [Figure 15](#) shows the RT voltages vary with temperature at two different bias currents using an NTC thermistor TTC104 as an example.

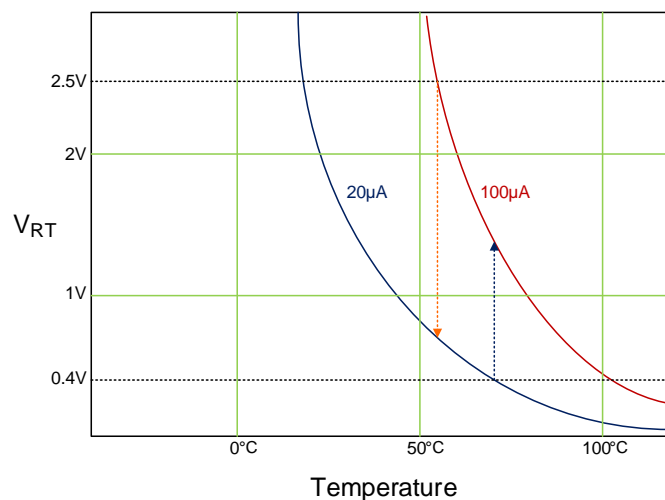


Figure 15. The RT Voltages vs. Temperature

16.9 VIN Detection and LPS Protection

The RT7204E can detect the input voltage and implement LPS protection by sensing the drain voltage of the low-side SR MOSFET, as shown in Figure 6. The recommended divider resistance,  $R_{VTR\_H}$ , between the SR MOSFET drain terminal and the VTR pin is 150kΩ. Due to varying component stress and thermal considerations under AC high/low line conditions, the power rating and OTP threshold can be adaptively customized through input voltage detection for a more compact design. The VTR pin also provides AC OFF detection to prevent the RT7204E from being reverse biased through the body diode of a blocking N-MOSFET. If there is no switching signal on the VTR within the programmable delay time, a flag will be sent to the MCU to fulfill power saving requirements.

16.10 Thermal Considerations

The junction temperature should never exceed the absolute maximum junction temperature  $T_{J(MAX)}$ , listed under Absolute Maximum Ratings, to avoid permanent damage to the device. The maximum allowable power dissipation depends on the thermal resistance of the IC package, the PCB layout, the rate of surrounding airflow, and the difference between the junction and ambient temperatures. The maximum power dissipation can be calculated using the following formula:

$$P_{D(MAX)} = (T_{J(MAX)} - T_A) / \theta_{JA}$$

where  $T_{J(MAX)}$  is the maximum junction temperature,  $T_A$  is the ambient temperature, and  $\theta_{JA}$  is the junction-to-ambient thermal resistance.

For continuous operation, the maximum operating junction temperature indicated under Recommended Operating Conditions is 125°C. The junction-to-ambient thermal resistance,  $\theta_{JA}$ , is highly package dependent. For a WQFN-24L 4x4 package, the thermal resistance,  $\theta_{JA}$ , is 39.6°C/W on a standard JEDEC low effective-thermal-conductivity two-layer test board. The maximum power dissipation at  $T_A = 25^\circ\text{C}$  can be calculated as below:

$$P_{D(MAX)} = (125^\circ\text{C} - 25^\circ\text{C}) / (39.6^\circ\text{C/W}) = 2.52\text{W for a WQFN-24L 4x4 package.}$$

The maximum power dissipation depends on the operating ambient temperature for the fixed  $T_{J(MAX)}$  and the thermal resistance,  $\theta_{JA}$ . The derating curve in Figure 16 allows the designer to see the effect of rising ambient temperature on the maximum power dissipation.

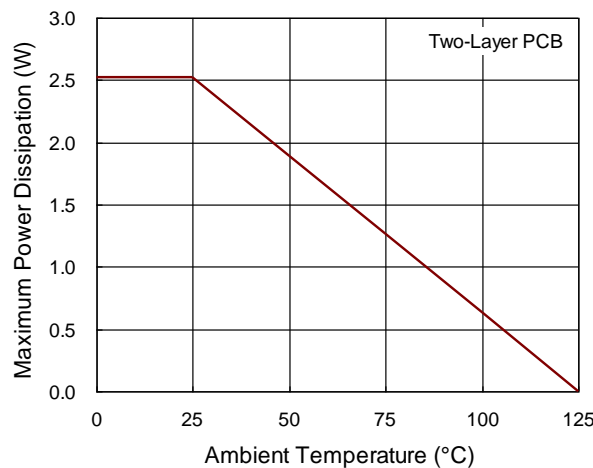
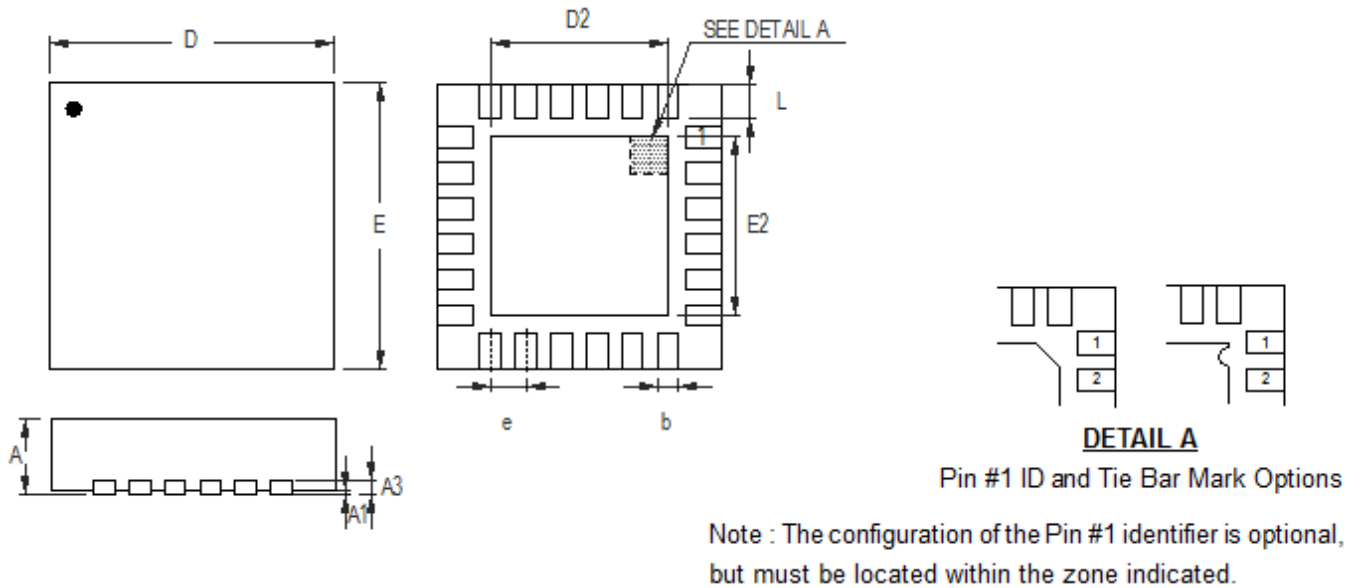


Figure 16. Derating Curve of Maximum Power Dissipation

**Note 8.** The information provided in this section is for reference only. The customer is solely responsible for the designing, validating, and testing your product incorporating Richtek’s product and ensure such product meets applicable standards and any safety, security, or other requirements.

17 Outline Dimension



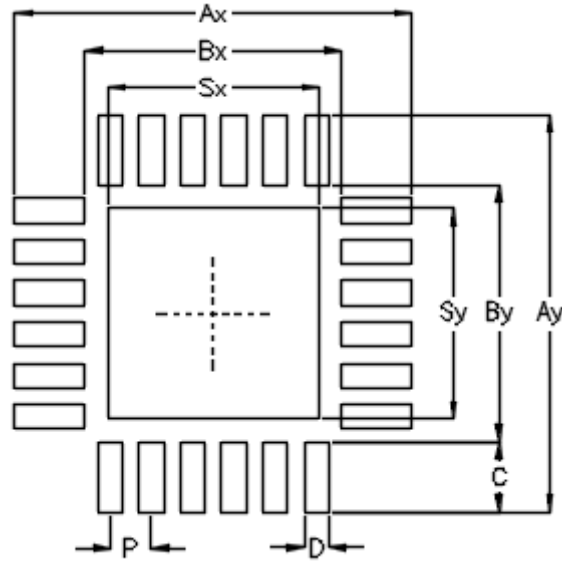
| Symbol | Dimensions In Millimeters |       | Dimensions In Inches |       |       |
|--------|---------------------------|-------|----------------------|-------|-------|
|        | Min                       | Max   | Min                  | Max   |       |
| A      | 0.700                     | 0.800 | 0.028                | 0.031 |       |
| A1     | 0.000                     | 0.050 | 0.000                | 0.002 |       |
| A3     | 0.175                     | 0.250 | 0.007                | 0.010 |       |
| b      | 0.180                     | 0.300 | 0.007                | 0.012 |       |
| D      | 3.950                     | 4.050 | 0.156                | 0.159 |       |
| D2     | Option 1                  | 2.400 | 2.500                | 0.094 | 0.098 |
|        | Option 2                  | 2.650 | 2.750                | 0.104 | 0.108 |
| E      | 3.950                     | 4.050 | 0.156                | 0.159 |       |
| E2     | Option 1                  | 2.400 | 2.500                | 0.094 | 0.098 |
|        | Option 2                  | 2.650 | 2.750                | 0.104 | 0.108 |
| e      | 0.500                     |       | 0.020                |       |       |
| L      | 0.350                     | 0.450 | 0.014                | 0.018 |       |

W-Type 24L QFN 4x4 Package

**Note 9.** The package of the RT7204E uses Option 2.



**18 Footprint Information**

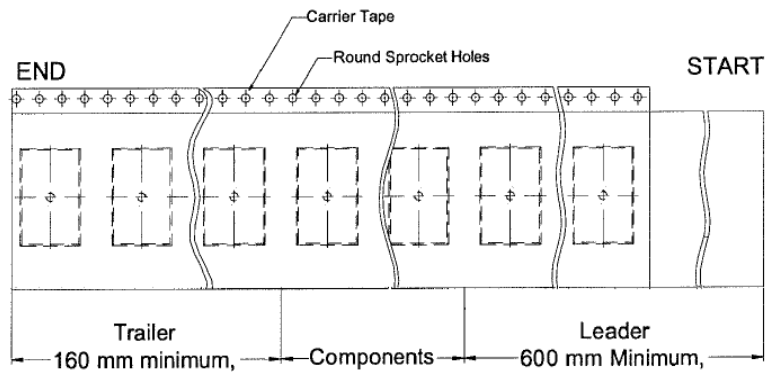
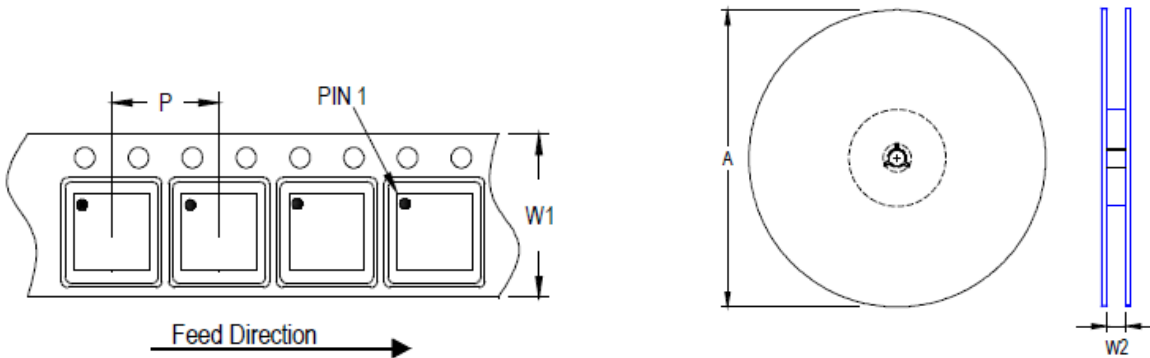


| Package          |         | Number of Pin | Footprint Dimension (mm) |      |      |      |      |      |      |      | Tolerance |       |
|------------------|---------|---------------|--------------------------|------|------|------|------|------|------|------|-----------|-------|
|                  |         |               | P                        | Ax   | Ay   | Bx   | By   | C    | D    | Sx   |           | Sy    |
| V/W/U/XQFN4*4-24 | Option1 | 24            | 0.50                     | 4.80 | 4.80 | 3.10 | 3.10 | 0.85 | 0.30 | 2.55 | 2.55      | ±0.05 |
|                  | Option2 |               |                          |      |      |      |      |      |      | 2.60 | 2.60      |       |

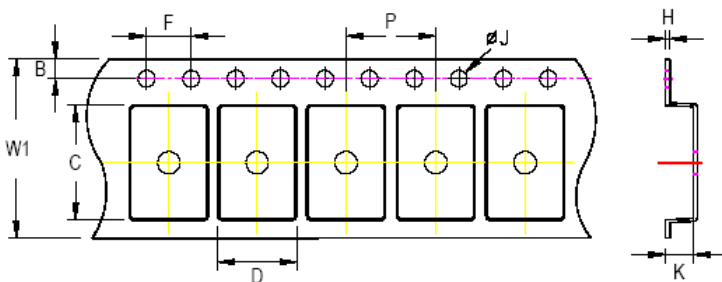
**Note 10.** The package of the RT7204E uses Option 2.

19 Packing Information

19.1 Tape and Reel Data









| Package Type | Tape Size (W1) (mm) | Pocket Pitch (P) (mm) | Reel Size (A) |      | Units per Reel | Trailer (mm) | Leader (mm) | Reel Width (W2) Min./Max. (mm) |
|--------------|---------------------|-----------------------|---------------|------|----------------|--------------|-------------|--------------------------------|
|              |                     |                       | (mm)          | (in) |                |              |             |                                |
| QFN/DFN 4x4  | 12                  | 8                     | 180           | 7    | 1,500          | 160          | 600         | 12.4/14.4                      |



C, D, and K are determined by component size.  
 The clearance between the components and the cavity is as follows:  
 - For 12mm carrier tape: 0.5mm max.

| Tape Size | W1     |       | P     |        | B      |       | F     |       | ØJ    |       | H |
|-----------|--------|-------|-------|--------|--------|-------|-------|-------|-------|-------|---|
|           | Max.   | Min.  | Max.  | Min.   | Max.   | Min.  | Max.  | Min.  | Max.  | Max.  |   |
| 12mm      | 12.3mm | 7.9mm | 8.1mm | 1.65mm | 1.85mm | 3.9mm | 4.1mm | 1.5mm | 1.6mm | 0.6mm |   |

19.2 Tape and Reel Packing

| Step | Photo/Description   | Step | Photo/Description  |
|------|---|------|--|
| 1    |  <p>Reel 7"</p>                                  | 4    |  <p>3 reels per inner box <b>Box A</b></p> |
| 2    |  <p>HIC &amp; Desiccant (1 Unit) inside</p>     | 5    |  <p>12 inner boxes per outer box</p>     |
| 3    |  <p>Caution label is on backside of Al bag</p> | 6    |  <p>Outer box <b>Carton A</b></p>       |

| Container<br>Package | Reel |       | Box   |       |       | Carton                        |       |        |
|----------------------|------|-------|-------|-------|-------|-------------------------------|-------|--------|
|                      | Size | Units | Item  | Reels | Units | Item                          | Boxes | Unit   |
| QFN/DFN 4x4          | 7"   | 1,500 | Box A | 3     | 4,500 | Carton A                      | 12    | 54,000 |
|                      |      |       | Box E | 1     | 1,500 | For Combined or Partial Reel. |       |        |

### 19.3 Packing Material Anti-ESD Property

| Surface Resistance   | Aluminum Bag        | Reel                | Cover tape          | Carrier tape        | Tube                | Protection Band     |
|----------------------|---------------------|---------------------|---------------------|---------------------|---------------------|---------------------|
| $\Omega/\text{cm}^2$ | $10^4$ to $10^{11}$ | $10^4$ to $10^{11}$ | $10^4$ to $10^{11}$ | $10^4$ to $10^{11}$ | $10^4$ to $10^{11}$ | $10^4$ to $10^{11}$ |

## Richtek Technology Corporation

14F, No. 8, Tai Yuen 1<sup>st</sup> Street, Chupei City

Hsinchu, Taiwan, R.O.C.

Tel: (8863)5526789



Richtek products are sold by description only. Richtek reserves the right to change the circuitry and/or specifications without notice at any time. Customers should obtain the latest relevant information and data sheets before placing orders and should verify that such information is current and complete. Richtek cannot assume responsibility for use of any circuitry other than circuitry entirely embodied in a Richtek product. Information furnished by Richtek is believed to be accurate and reliable. However, no responsibility is assumed by Richtek or its subsidiaries for its use; nor for any infringements of patents or other rights of third parties which may result from its use. No license is granted by implication or otherwise under any patent or patent rights of Richtek or its subsidiaries.

Copyright © 2024 Richtek Technology Corporation. All rights reserved.  is a registered trademark of Richtek Technology Corporation.

[www.richtek.com](http://www.richtek.com)

RT7204E\_DS-00 May 2024

**20 Datasheet Revision History**

| <b>Version</b> | <b>Date</b> | <b>Description</b> | <b>Item</b>  |
|----------------|-------------|--------------------|--|
| 00             | 2024/5/23   | Final              | Ordering Information on P2<br>Application Information on P39 |