

Dual-Phase PWM Controller with PWM-VID Reference

1 General Description

The RT8816A is a 2/1-phase synchronous Buck PWM controller optimized for high-performance graphic microprocessors and supports the nVidia OVR2 specification with a PWM-VID interface. The IC integrates a Constant-On-Time (COT) PWM controller, two MOSFET drivers with internal bootstrap diodes, as well as channel current balance and protection functions, including overvoltage protection (OVP), undervoltage protection (UVP), current limit, and thermal shutdown, all within a WQFN-20L 3x3 package.

The RT8816A adopts an RDS(ON) current sensing technique for current limit, which is accomplished through continuous inductor current sensing, while RDS(ON) current sensing is used for accurate channel current balance. This method of current sampling utilizes the best advantages of each technique.

Features of the RT8816A include an external reference input and PWM-VID dynamic output voltage control, where the feedback voltage is regulated to track an external input reference voltage. Other features include an adjustable switching frequency, dynamic phase number control, internal soft start, power good indicator, and enable functions. The recommended junction temperature range is -10°C to 105°C .

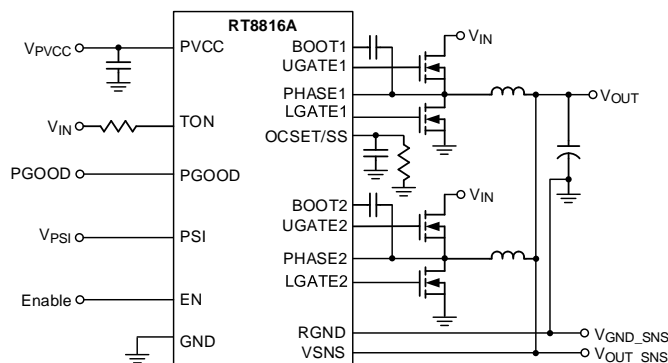
2 Features

- Dual-Phase PWM Controller
- Power State Indicator
 - ▶ 1P-CCM/2P-CCM/1P-DEM/2P-DEM
- Two Embedded MOSFET Drivers and Embedded Switching Boot Diode
- Support 1.8V PWM-VID Interface
- External Reference Input Control
- PWM-VID Dynamic Voltage Control
- Dynamic Phase Number Control
- Lossless RDS(ON) Current Sensing for Current Balance
- Internal/External Soft-Start
- Adjustable Current Limit Threshold
- Adjustable Switching Frequency
- UVP/OVP Protection
- Shoot Through Protection and Short Pulse Free Technology
- Support an Ultra-Low Output Voltage as Standby Voltage
- Thermal Shutdown
- Power Good Indicator (EN to PG high = 500 μs)

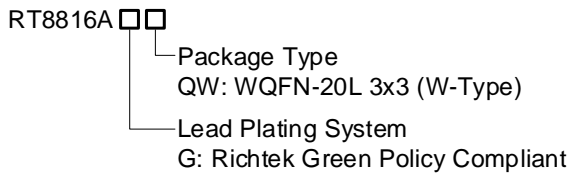
3 Applications

- CPU/GPU Core Power Supply
- Desktop PC Memory, VTT Power
- Chipset/RAM Power Supply
- Generic DC-DC Power Regulator

4 Simplified Application Circuit



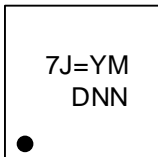
5 Ordering Information



Note:

Richtek products are Richtek Green Policy compliant and compatible with the current requirements of IPC/JEDEC J-STD-020.

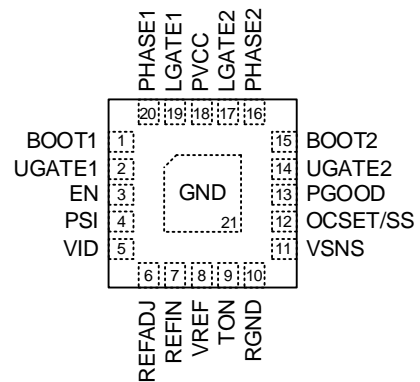
6 Marking Information



7J=: Product Code
YMDNN: Date Code

7 Pin Configuration

(TOP VIEW)



WQFN-20L 3x3

Table of Contents

1 General Description 1

2 Features 1

3 Applications 1

4 Simplified Application Circuit 1

5 Ordering Information 2

6 Marking Information 2

7 Pin Configuration 2

8 Functional Pin Description 5

9 Functional Block Diagram 7

10 Absolute Maximum Ratings 8

11 Recommended Operating Conditions 9

12 Electrical Characteristics 9

13 Typical Application Circuit 11

14 Typical Operating Characteristics 12

15 Operation 15

 15.1 Soft-Start (SS) 15

 15.2 PGOOD 15

 15.3 Current Balance 15

 15.4 Current Limit 15

 15.5 Overvoltage Protection (OVP) and Undervoltage Protection (UVP) 15

16 Application Information 16

 16.1 Remote Sense 16

 16.2 PWM Operation 16

 16.3 On-Time Control 17

 16.4 Active Phase Circuit Setting 17

 16.5 Mode Selection 17

 16.6 Diode-Emulation Mode 18

 16.7 Forced-CCM Mode 18

 16.8 Enable and Disable 18

 16.9 Power On Reset (POR) and UVLO 18

 16.10 Soft-Start 19

 16.11 Power Good Output (PGOOD) 20

 16.12 PWM VID and Dynamic Output Voltage Control 21

 16.13 Boot Mode 21

 16.14 Standby Mode 22

 16.15 Normal Mode 22

 16.16 VID Slew Rate Control 23

 16.17 Current Limit 23

 16.18 Current Limit Setting 24

 16.19 Negative Current Limit 24

 16.20 Current Balance 25

 16.21 Output Overvoltage Protection (OVP) 25

 16.22 Output Undervoltage Protection (UVP) 25

 16.23 MOSFET Gate Driver 25

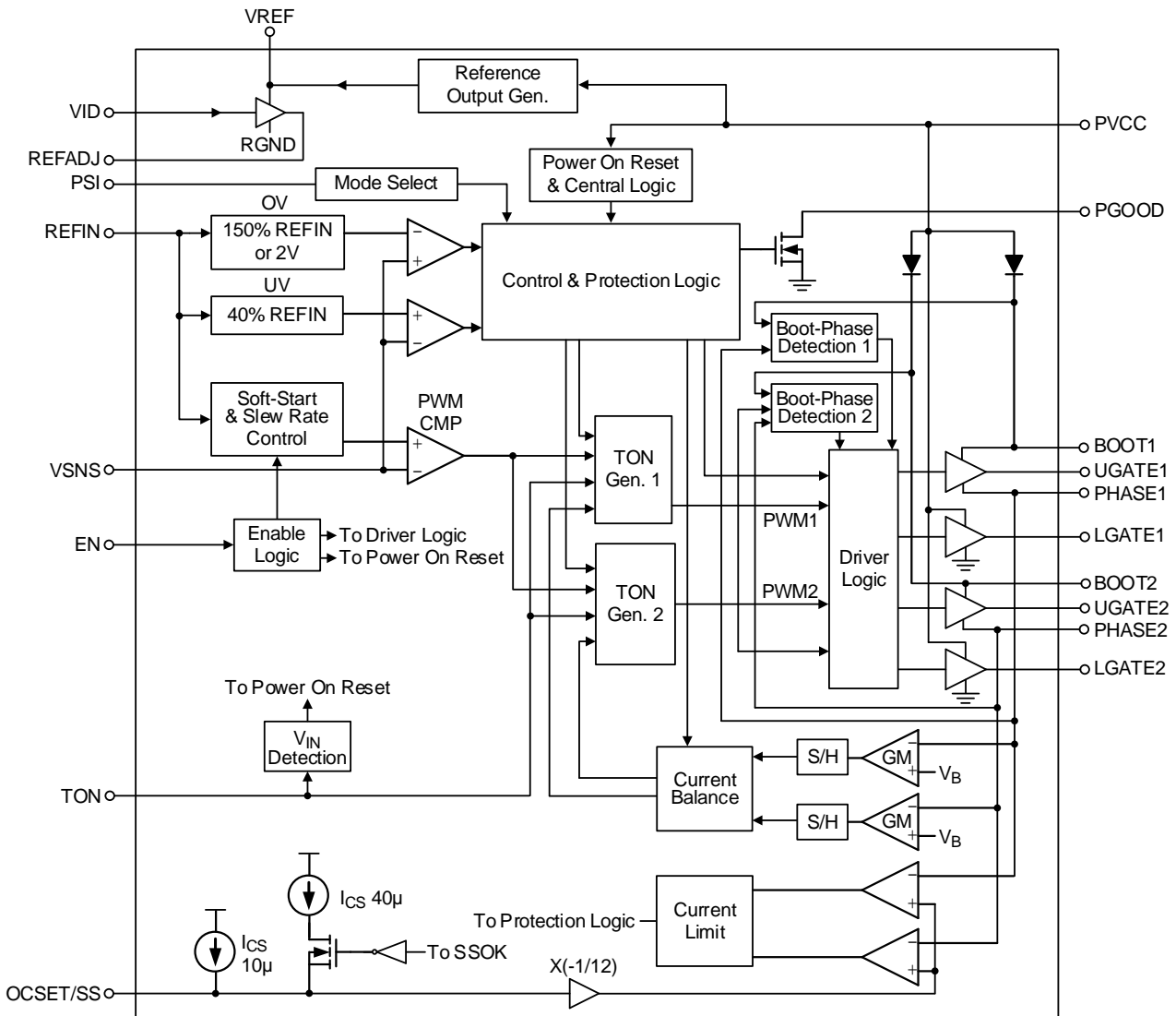
16.24	MOSFET Selection	25
16.25	Inductor Selection	26
16.26	Input Capacitor Selection	26
16.27	Output Capacitor Selection	26
16.28	Thermal Considerations	26
16.29	Layout Considerations	27
17	Outline Dimension	28
18	Footprint Information	29
19	Packing Information	30
19.1	Tape and Reel Data	30
19.2	Tape and Reel Packing	31
19.3	Packing Material Anti-ESD Property	32
20	Datasheet Revision History	33

8 Functional Pin Description

Pin No.	Pin Name	Pin Function
1	BOOT1	Bootstrap supply for PWM1. This pin powers the high-side MOSFET driver.
2	UGATE1	High-side gate driver of PWM1. This pin provides the gate drive for the converter's high-side MOSFET. Connect this pin to the gate of high-side MOSFET.
3	EN	Enable control input. Active high input. When PVCC POR, the input voltage must not exceed PVCC.
4	PSI	Power saving interface. When the voltage is pulled below 0.4V, the device operates into 1 phase DEM. When the voltage is between 0.7V to 0.88V, the device operates into 1 phase forced CCM. When the voltage is between 1.08V to 1.35V, the device operates into 2 phase DEM. When the voltage is between 1.6V to 5.5V, the device operates into 2 phase forced CCM.
5	VID	Programming output voltage control input. Refer to PWM VID and Dynamic Output Voltage Control .
6	REFADJ	Reference adjustment output. Refer to PWM VID and Dynamic Output Voltage Control .
7	REFIN	External reference input.
8	VREF	Reference voltage output. This is a high precision voltage reference (2V) from the VREF pin to RGND pin.
9	TON	On-time/switching frequency adjustment input. Connecting a 100pF ceramic capacitor between CTON and ground is optional for noise immunity enhancement.
10	RGND	Negative remote sense input. Connect this pin to the ground of the output load.
11	VSNS	Positive remote sense input. Connect this pin to the positive terminal of the output load.
12	OCSET/SS	Current limit setting. Connect a resistor from OCSET/SS to GND to set the current limit threshold. The external soft-start time also can be set by connecting a capacitor from the OCSET/SS pin to GND.
13	PGOOD	Power good indicator output. Active high open-drain output.
14	UGATE2	High-side gate driver of PWM2. This pin provides the gate drive for the converter's high-side MOSFET. Connect this pin to the gate of the high-side MOSFET.
15	BOOT2	Bootstrap supply for PWM2. This pin powers the high-side MOSFET driver.
16	PHASE2	Switch node for PWM2. This pin is the return node of the high-side driver of PWM 2. Connect this pin to the source of the high-side MOSFET, along with the drain of the low-side MOSFET and the inductor.
17	LGATE2	Low-side gate driver of PWM2. This pin provides the gate drive for the converter's low-side MOSFET. Connect this pin to the gate of the low-side MOSFET.
18	PVCC	Supply voltage input. Connect this pin to a 5V bias supply. Place a high-quality bypass capacitor from this pin to GND.
19	LGATE1	Low-side gate driver of PWM1. This pin provides the gate drive for the converter's low-side MOSFET. Connect this pin to the gate of the low-side MOSFET.

Pin No.	Pin Name	Pin Function
20	PHASE1	Switch node for PWM1. This pin is the return node of the high-side driver of PWM 1. Connect this pin to the source of the high-side MOSFET, along with the drain of the low-side MOSFET and the inductor.
21 (Exposed Pad)	GND	Ground. The exposed pad should be soldered to a large PCB and connected to GND for maximum thermal dissipation.

9 Functional Block Diagram



10 Absolute Maximum Ratings

(Note 1)

• TON to GND	-----	-0.3V to 30V
• RGND to GND	-----	-0.7V to 0.7V
• BOOTx to PHASEx		
DC	-----	-0.3V to 6V
<100ns	-----	-5V to 7.5V
• BOOTx to GND		
DC	-----	-0.3V to 36V
<100ns	-----	-5V to 42V
• PHASEx to GND		
DC	-----	-5V to 30V
<100ns	-----	-10V to 42V
• UGATEx to GND		
DC	-----	-5V to 36V
<100ns	-----	-10V to 42V
• UGATEx to PHASEx		
DC	-----	-0.3V to 6V
<100ns	-----	-5V to 7.5V
• LGATEx to GND		
DC	-----	-0.3V to 6V
<100ns	-----	-5V to 7.5V
• Other Pins	-----	-0.3V to 6.5V
• Power Dissipation, PD @ TA = 25°C		
WQFN-20L 3x3	-----	2.67W
• Package Thermal Resistance (Note 2)		
WQFN-20L 3x3, θ_{JA}	-----	30°C/W
WQFN-20L 3x3, θ_{JC}	-----	7.5°C/W
• Lead Temperature (Soldering, 10 sec.)	-----	260°C
• Junction Temperature	-----	150°C
• Storage Temperature Range	-----	-65°C to 150°C
• ESD Susceptibility (Note 3)		
HBM (Human Body Model)	-----	2kV

Note 1. Stresses beyond those listed under “Absolute Maximum Ratings” may cause permanent damage to the device. These are stress ratings only, and functional operation of the device at these or any other conditions beyond those indicated in the operational sections of the specifications is not implied. Exposure to absolute maximum rating conditions may affect device reliability.

Note 2. θ_{JA} is measured under natural convection (still air) at TA = 25°C with the component mounted on a high effective-thermal-conductivity four-layer test board on a JEDEC 51-7 thermal measurement standard. θ_{JC} is measured at the exposed pad of the package.

Note 3. Devices are ESD sensitive. Handling precautions are recommended.

11 Recommended Operating Conditions

(Note 4)

- Input Voltage, VIN ----- 2.5V to 26V
- Supply Voltage, PVCC ----- 4.5V to 5.5V
- Junction Temperature Range ----- -10°C to 105°C

Note 4. The device is not guaranteed to function outside its operating conditions.

12 Electrical Characteristics

(VPVCC = 5V, typical values are referenced to TA = TJ = 25°C, Min and Max values are referenced to TA = TJ from -10°C to 105°C, unless other noted.)

Parameter	Symbol	Test Conditions	Min	Typ	Max	Unit
PWM Controller						
PVCC Supply Input Voltage	VPVCC		4.5	--	5.5	V
PVCC Supply Input Current	IPVCC	VEN = 3.3V, 1-phase DEM mode, not switching, VREF external R = 40k	--	0.4	--	mA
PVCC Shutdown Current	ISHDN	VEN = 0V	--	--	10	μA
PVCC POR Threshold	VPOR		3.8	4.1	4.4	V
POR Hysteresis	VPOR_HYS		--	0.3	--	V
Switching Frequency	fSW	RTON = 500kΩ (Note 5)	270	300	330	kHz
Minimum On-Time	tON_MIN		--	70	--	ns
Minimum Off-Time	tOFF_MIN		--	300	--	ns
EN Input Voltage						
EN Input Voltage Rising Threshold	VEN_R		1.2	--	5.5	V
EN Input Voltage Falling Threshold	VEN_F		--	--	0.55	V
Mode Decision						
2-Phase CCM	VPSI		1.6	1.8	5.5	V
2-Phase DEM	VPSI		1.08	1.2	1.35	V
1-Phase CCM	VPSI		0.7	0.8	0.88	V
1-Phase DEM	VPSI		--	0	0.4	V
PWM-VID Input Voltage for 1.8V GPIO Setting						
PWM-VID Input Voltage Logic H	VPWM-VID_H		1.2	--	--	V
PWM-VID Input Voltage Logic L	VPWM-VID_L		--	--	0.6	V
PWM-VID Tri-State Voltage	VPWM-VID_Tr		0.8	--	1.05	V
Protection Function						
Zero Current Crossing Threshold	VZC		-8	--	8	mV

Parameter	Symbol	Test Conditions	Min	Typ	Max	Unit
Current Limit Setting Current	IOCSET	TA = TJ = 25°C	9	10	11	μA
Current Limit Setting Current Temperature Coefficient	IOCSET_TC		--	4700	--	ppm/°C
Current Limit Threshold	VOCSET	ROCSET = 120k	--	100	--	mV
Absolute Overvoltage Protection Threshold	VOVP_Absolute	VREFIN ≤ 1.33V	1.9	2	2.1	V
Relative Overvoltage Protection Threshold	VOVP_Relative	VREFIN > 1.33V	145	150	155	%
Overvoltage Fault Delay	tDLY_OV	FB forced above OV threshold	--	5	--	μs
Relative Undervoltage Protection Threshold	VUVP	UVP	35	40	45	%
Undervoltage Fault Delay	tDLY_UV	FB forced above UV threshold	--	3	--	μs
Thermal Shutdown Threshold	TSD		--	150	--	°C
VOUT Soft-Start (PGOOD Blanking Time)	tPGB	From VEN = high to VOUT regulation point, VREFIN = 1V	--	0.5	--	ms
PWM Comparator						
VSNS Comparator Offset Voltage (Valley)	VCMP_OFFSET	VREFIN = 1V	-11	-6	-1	mV
Reference						
Reference Voltage	VREF	Sourcing current = 1mA, VID no switching	1.98	2	2.02	V
Driver On-Resistance						
UGATE Driver Source Impedance	RSRC_UGATE	BOOTx – PHASEx forced to 5V	--	2	4	Ω
UGATE Driver Sink Impedance	RSNK_UGATE	BOOTx – PHASEx forced to 5V	--	1	2	Ω
LGATE Driver Source Impedance	RSRC_LGATE	LGATEx, high state	--	1.5	3	Ω
LGATE Driver Sink Impedance	RSNK_LGATE	LGATEx, low state	--	0.7	1.5	Ω
UGATE Propagation Delay Time	tDLY_UG	From LGATE falling to UGATE rising	--	30	--	ns
LGATE Propagation Delay Time	tDLY_LG	From UGATE falling to LGATE rising	--	20	--	ns
Internal Boost Diode Resistance	RBOOT	PVCC to BOOTx, IBOOT = 10mA	--	80	--	Ω

Note 5. Not production tested. Test condition is VIN = 8V, VOUT = 1V, IOUT = 20A using application circuit.

13 Typical Application Circuit

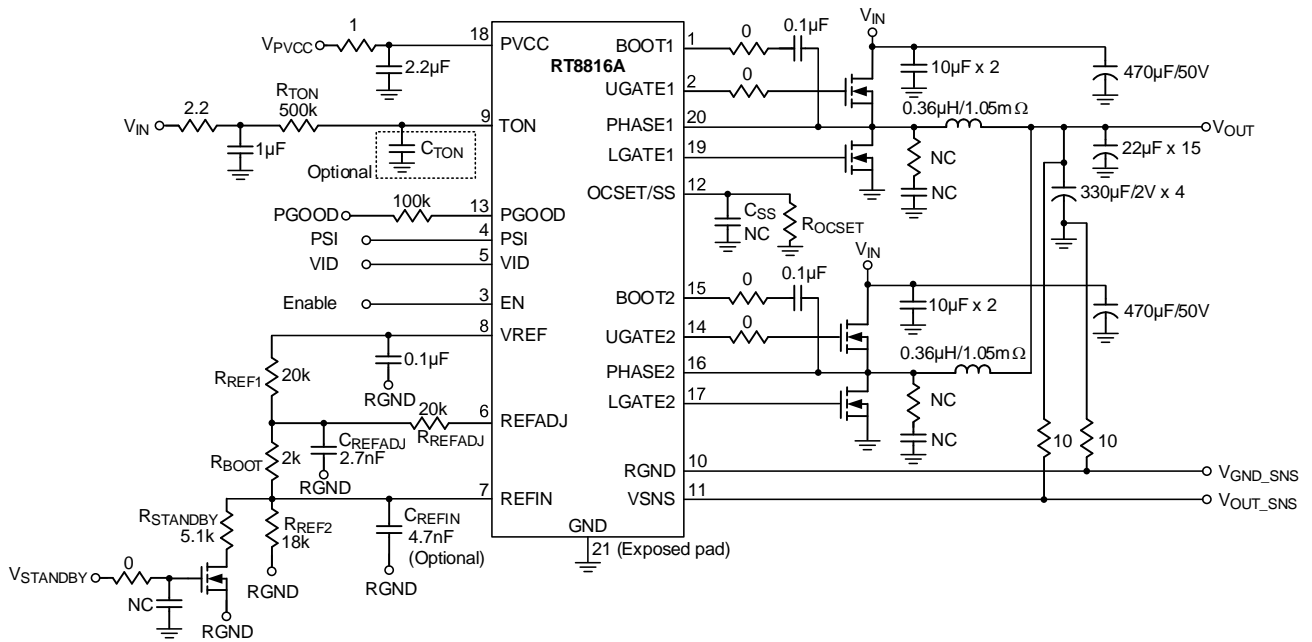


Figure 1. Two Active Phase Configuration

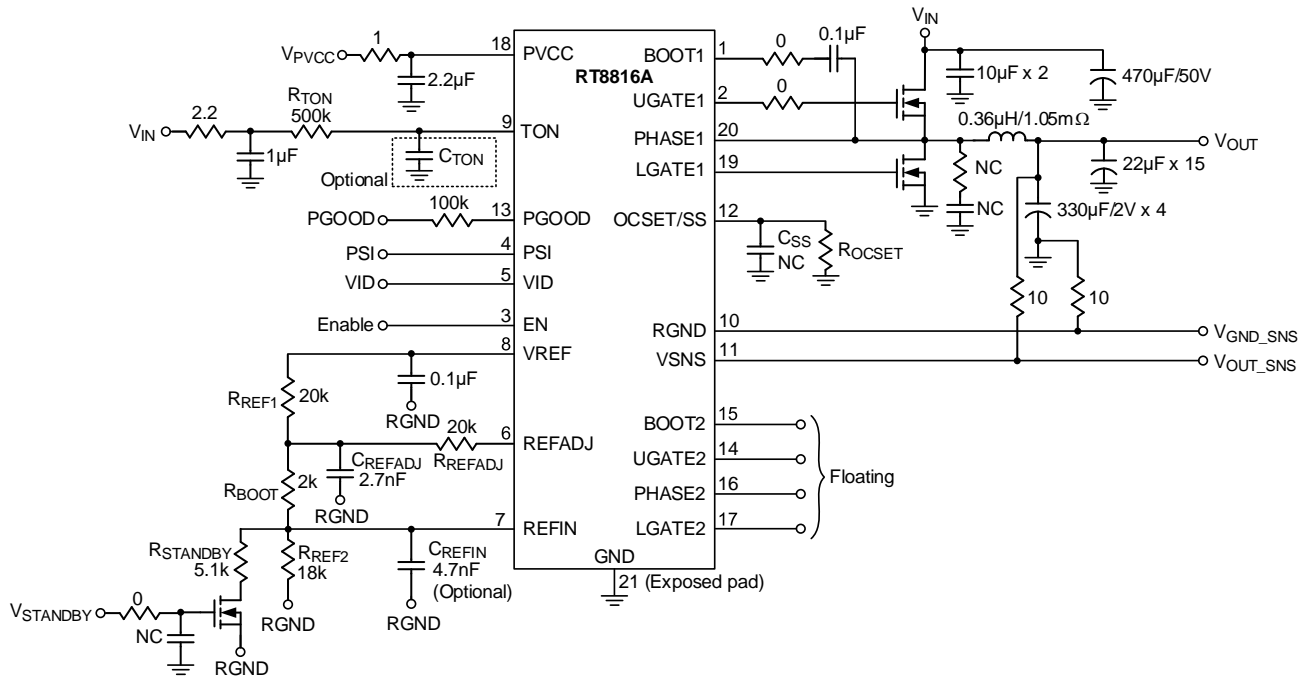
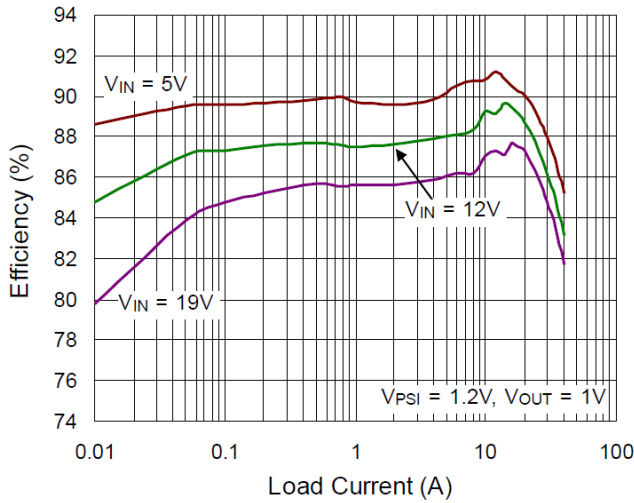


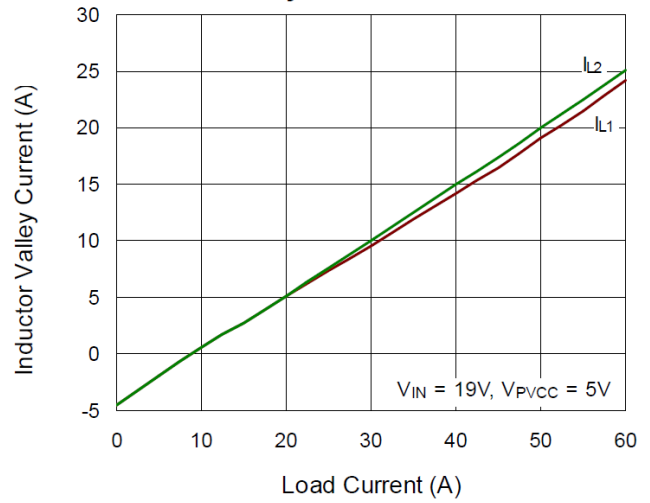
Figure 2. One Active Phase Configuration

14 Typical Operating Characteristics

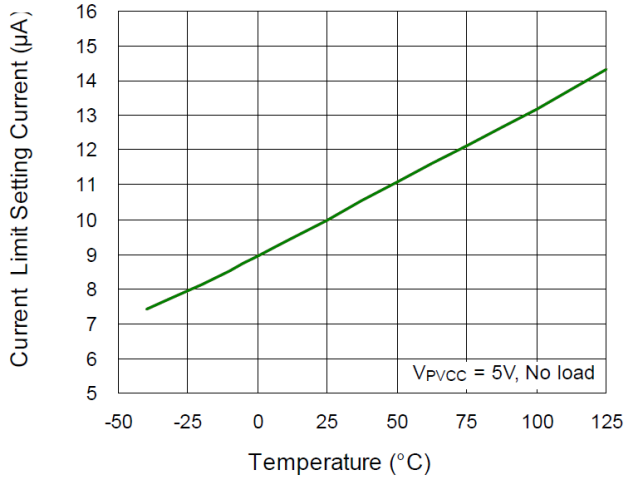
Efficiency vs. Load Current



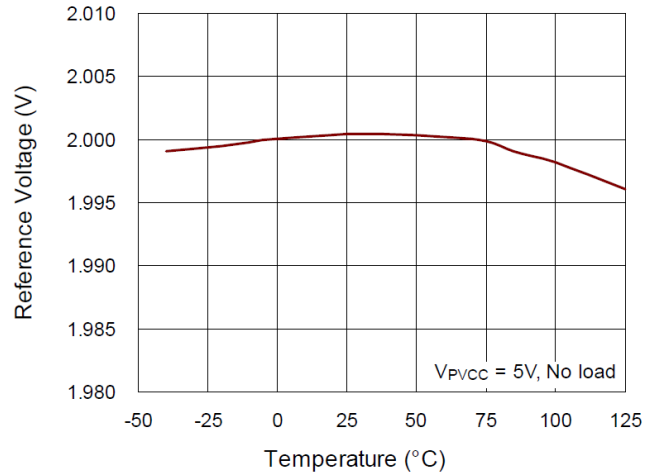
Inductor Valley Current vs. Load Current



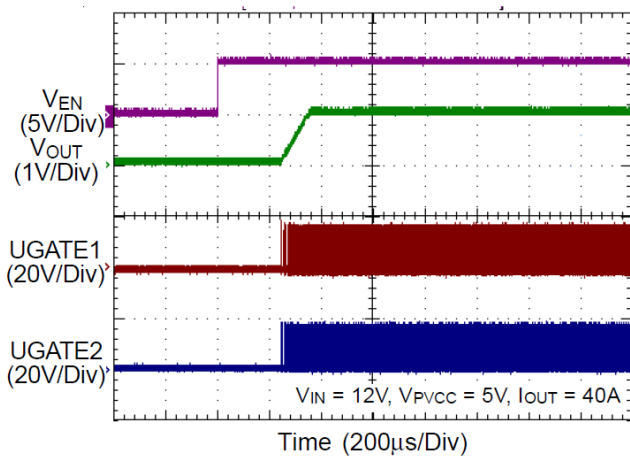
Current Limit Setting Current vs. Temperature



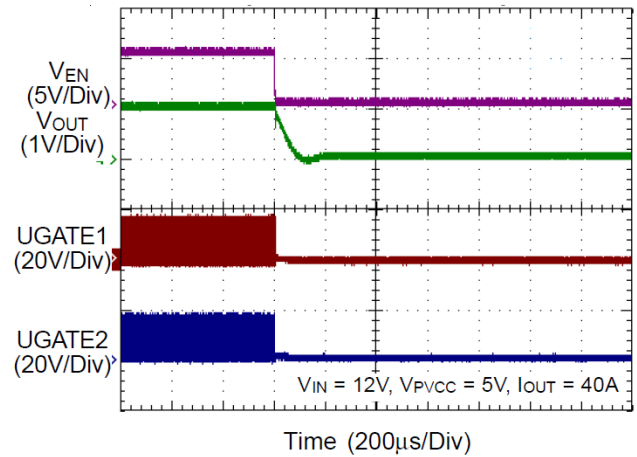
Reference Voltage vs. Temperature



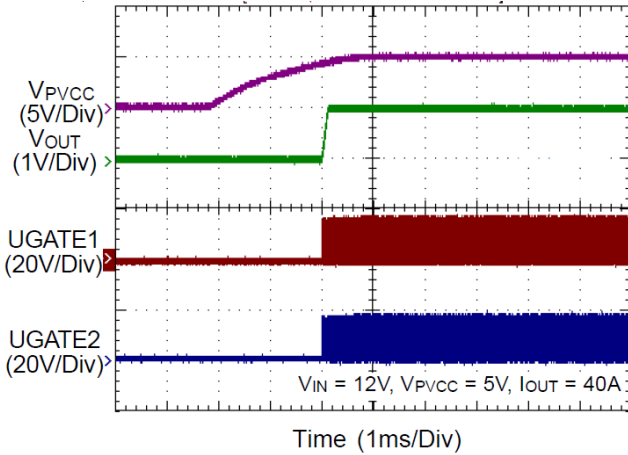
Power On from EN



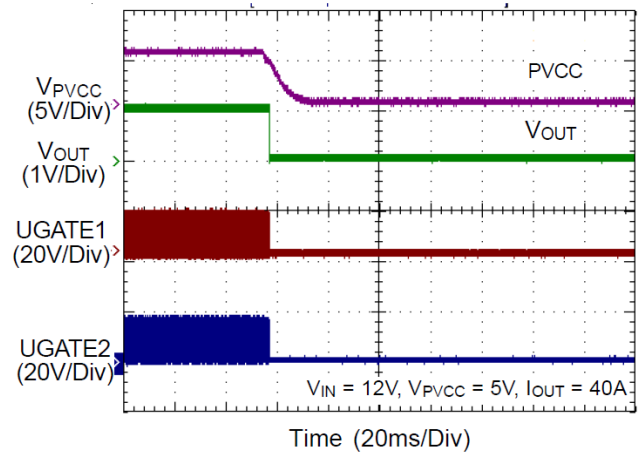
Power Off from EN



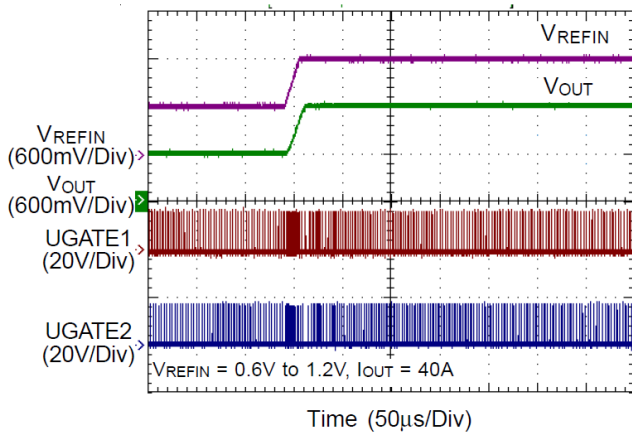
Power On from PVCC



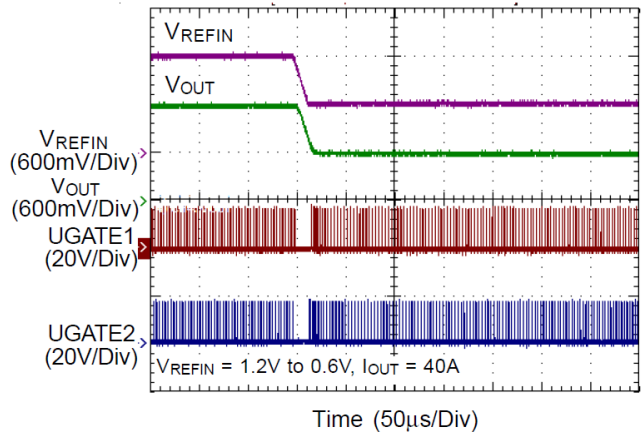
Power Off from VCC



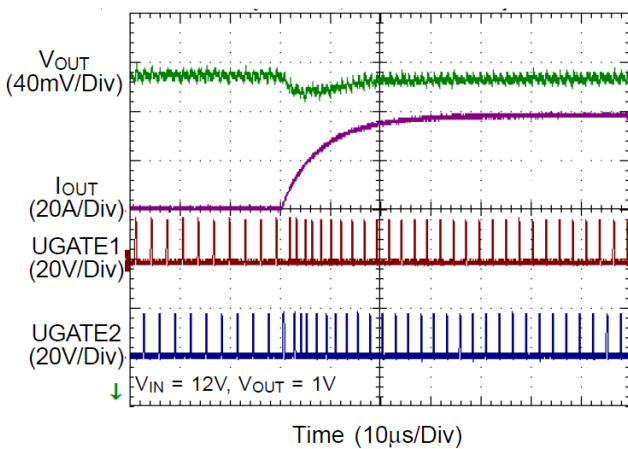
Dynamic Output Voltage Control



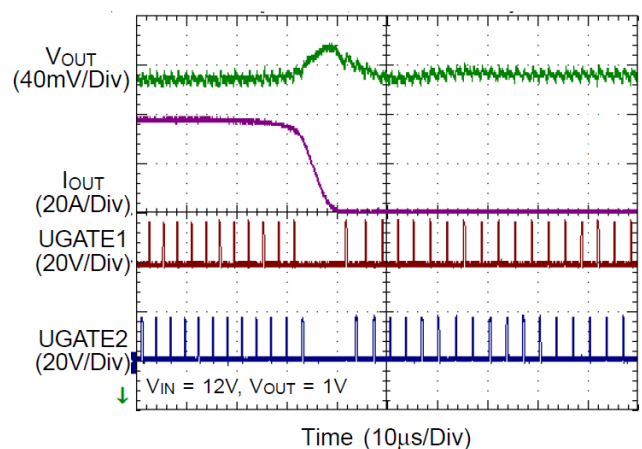
Dynamic Output Voltage Control



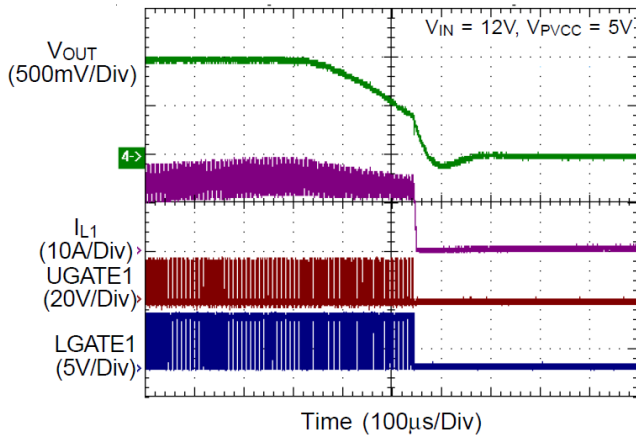
Load Transient Response



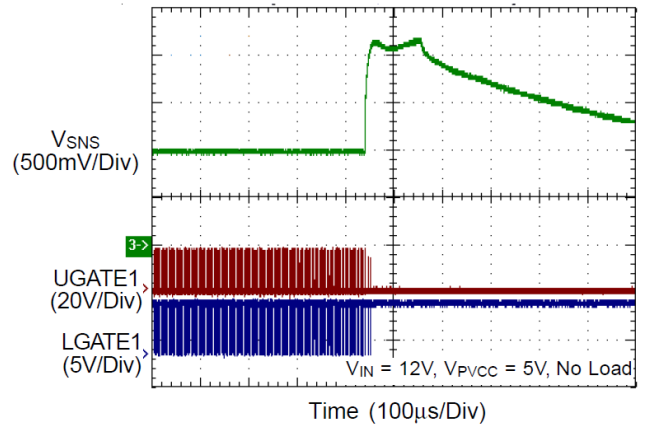
Load Transient Response



Current Limit and UVP



OVP



15 Operation

The RT8816A is a dual-phase synchronous Buck PWM controller with integrated drivers, optimized for high-performance graphics microprocessors and computer applications. The IC integrates a Constant-On-Time (COT) PWM controller, two MOSFET drivers, as well as output current monitoring and protection functions. According to the function block diagram of the TON Genx, the synchronous UGATE driver is activated at the beginning of each cycle. Once the internal one-shot timer expires, the UGATE driver is deactivated. The duration of this one-shot pulse is determined by the converter's input voltage and the output voltage to maintain a relatively constant frequency across the input voltage range and the output voltage. Another one-shot timer establishes a minimum off-time.

Additionally, the RT8816A features a PWM-VID dynamic voltage control circuit, which utilizes the pulse width modulation method. This circuit reduces the number of device pins required and supports a wide dynamic voltage range.

15.1 Soft-Start (SS)

For the soft-start function, an internal current source charges an internal capacitor to build the soft-start ramp voltage. The output voltage will track the internal ramp voltage during soft-start interval.

15.2 PGOOD

The power good output is an open-drain architecture.

When the soft-start is finished, the PGOOD open-drain output is high impedance.

15.3 Current Balance

The RT8816A implements an internal current balance mechanism in the current loop. The RT8816A senses per phase current and compares it with the average current. If the sensed current of any particular phase is higher than the average current, the on-time of this phase is adjusted to be shorter.

15.4 Current Limit

The current limit circuit employs a unique “valley” current sensing algorithm. If the magnitude of the current sense signal at PHASE is above the current limit threshold, the PWM is not allowed to initiate a new cycle. Thus, if the current to the load exceeds the average output inductor current, the output voltage falls and eventually crosses the undervoltage protection threshold, inducing IC shutdown.

15.5 Overvoltage Protection (OVP) and Undervoltage Protection (UVP)

The output voltage is continuously monitored for overvoltage and undervoltage protection. When the output voltage exceeds its set voltage threshold (if $V_{REFIN} \leq 1.33V$, $OV = 2V$; or if $V_{REFIN} > 1.33V$, $OV = 1.5 \times V_{REFIN}$), UGATE goes low and LGATE is forced high. When it is less than 40% of its set voltage, undervoltage protection is triggered and then both UGATE and LGATE gate drivers are forced low. The controller is latched until PVCC is re-supplied and exceeds the POR rising threshold voltage, or EN is reset.

16 Application Information

Richtek's component specification does not include the following information in the Application Information section. Thereby no warranty is given regarding its validity and accuracy. Customers should take responsibility to verify their own designs and reserve suitable design margin to ensure the functional suitability of their components and systems.

The RT8816A is a dual-phase synchronous Buck PWM controller with integrated drivers which is optimized for high performance graphics microprocessors and computer applications. A COT (Constant-On-Time) PWM controller and two MOSFET drivers with internal bootstrap diodes are integrated so that the external circuit can be easily designed and the number of components is reduced.

The topology solves the poor load transient response timing problems of fixed-frequency mode PWM and avoids the problems caused by widely varying switching frequencies in conventional constant on-time and constant off-time PWM schemes. The IC supports a dynamic mode transition function with various operating states, which include single phase with CCM, dual-phase with CCM, single phase with diode emulation mode, and dual-phase with diode emulation mode operation. These different operating states enhance the system efficiency.

The RT8816A provides a PWM-VID dynamic control operation, where the feedback voltage is regulated to track an external input reference voltage. It also features complete fault protection functions, including overvoltage, undervoltage, and current limit protections.

16.1 Remote Sense

The RT8816A uses the remote sense path (VSNS and RGND) to overcome voltage drops in the power lines by sensing the voltage directly at the end of GPU. Normally, to protect remote sense path disconnecting, there are two resistors (R_{Local}) connecting between local sense path and remote sense path. That is, in applications with remote sensing, it is recommended that the R_{Local} be between 10Ω to 100Ω . If remote sensing is not required, the R_{Local} is recommended to be 0Ω .

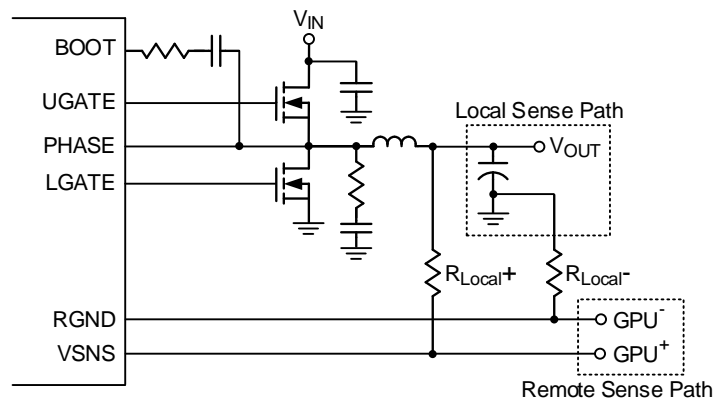


Figure 3. Output Voltage Sensing

16.2 PWM Operation

The RT8816A integrates a Constant-On-Time (COT) PWM controller, and the controller provides the PWM signal based on the comparison of the output ripple voltage with an internal reference voltage, as shown in [Figure 4](#). According to the function block diagram of the TON Genx, the synchronous UGATE driver is turned on at the beginning of each cycle. After the internal one-shot timer expires, the UGATE driver is turned off. The duration of this one-shot pulse width is determined by the converter input voltage and the output voltage to keep a relatively constant frequency across the input and output voltage range. Another one-shot sets a minimum off-time.

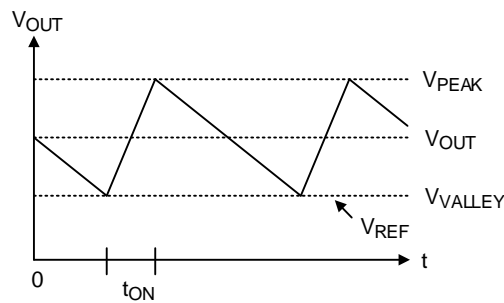


Figure 4. Constant On-Time PWM Control

16.3 On-Time Control

The on-time one-shot comparator has two inputs. One input monitors the output voltage, while the other input samples the input voltage and converts it to a current. This input voltage proportional current is used to charge an internal on-time capacitor. The on-time is the time required for the voltage on this capacitor to charge from zero volts to VOUT, thereby making the on-time of the high-side switch directly proportional to the output voltage and inversely proportional to the input voltage. The implementation results in a nearly constant switching frequency without the need for a clock generator.

$$T_{ON} = \frac{2 \times V_{OUT} \times 3.2p}{V_{IN} - 0.5} \times R_{TON}$$

and then the switching frequency fS is:

$$f_S = V_{OUT} / (V_{IN} \times T_{ON})$$

RTON is a resistor connected from the VIN to the TON pin.

The recommended operation frequency range is from 250kHz to 750kHz.

16.4 Active Phase Circuit Setting

The RT8816A can be set for 2-phase or 1-phase operation by hardware circuit. For 1-phase operation, the UGATE2, BOOT2, PHASE2, and LGATE2 pins are floating, and the voltage of the PSI pin must be set to the 1-phase operation threshold. Refer to [Table 1](#) for details.

16.5 Mode Selection

The RT8816A can operate into 2-phase with forced CCM, 1-phase with forced CCM, 1-phase with DEM and 2-phase with DEM, depending on the PSI voltage setting. If the PSI voltage is pulled below 0.4V, the controller operates into 1-phase with DEM. In DEM operation, the RT8816A automatically reduces the operation frequency at light load conditions for saving power loss. If the PSI voltage is pulled between 0.7V to 0.88V, the controller switches to 1-phase with forced CCM. If the PSI voltage is pulled between 1.08V to 1.35V, the controller switches to 2-phase with DEM. If the PSI voltage is pulled between 1.6V to 5.5V, the controller switches to 2-phase with forced CCM. The operation modes are summarized in [Table 1](#). Moreover, the PSI pin is valid after POR of VR.

Table 1

Operation Phase Number	PSI Voltage Setting
1-phase with DEM	0V to 0.4V
1-phase with CCM	0.7V to 0.88V
2-phase with DEM	1.08V to 1.35V
2-phase with DEM	1.6V to 5.5V

16.6 Diode-Emulation Mode

In diode-emulation mode, the RT8816A automatically reduces the switching frequency at light-load conditions to maintain high efficiency. As the output current decreases from a heavy-load condition, the inductor current also reduces, eventually reaching the point where its valley touches zero current, making the boundary between continuous conduction and discontinuous conduction modes. By emulating the behavior of diodes, the low-side MOSFET allows only partial of the negative current when the inductor freewheeling current reaches a negative value. As the load current further decreases, it takes longer to discharge the output capacitor to the level that requires the next “ON” cycle. In reverse, when the output current increases from light load to heavy load, the switching frequency increases to the preset value as the inductor current reaches the continuous conduction condition. The transition load point to the light load operation is shown in [Figure 5](#) and can be calculated as follows:

$$I_{LOAD(SKIP)} \approx \frac{(V_{IN} - V_{OUT})}{2L} \times t_{ON}$$

where t_{ON} is on-time.

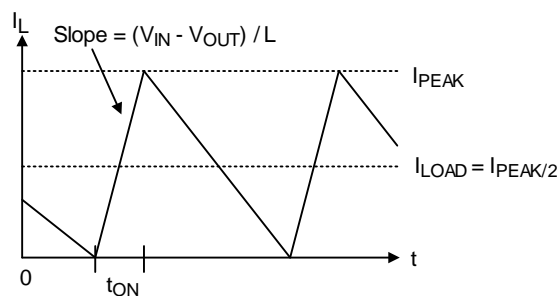


Figure 5. Boundary Condition of CCM/DEM

The switching waveforms may be noisy and asynchronous in light loading diode-emulation operation conditions, but this is a normal operating condition that results in high light-load efficiency. A trade-off between DEM noise and light-load efficiency is made by varying the inductor value. Generally, lower inductor values produce a broad high efficiency range versus load curve, while higher values result in higher full load efficiency (assuming that the coil resistance remains fixed) and less output voltage ripple. The disadvantages for using higher inductor values include a larger physical size and degraded load-transient response (especially at low input voltage levels).

16.7 Forced-CCM Mode

The low noise, forced-CCM mode disables the zero-crossing comparator, which controls the low-side switch on-time. This causes the low-side gate drive waveform to be the complement of the high-side gate drive waveform, which in turn causes the inductor current to reverse at light loads as the PWM loop maintains a duty ratio of V_{OUT}/V_{IN} . The benefit of forced-CCM mode is to keep the switching frequency fairly constant.

16.8 Enable and Disable

The EN pin is a high-impedance input that allows power sequencing between the controller bias voltage and another voltage rail. The RT8816A remains in shutdown if the EN pin is lower than 550mV. When the EN voltage rises above the 1.2V high-level threshold, the RT8816A begins a new initialization and soft-start cycle.

16.9 Power On Reset (POR) and UVLO

Power On Reset (POR) occurs when V_{PVCC} rises above approximately 4.1V (typical), the RT8816A resets the fault latch circuit and prepares for PWM operation. When the V_{PVCC} is lower than 3.8V (typical), the undervoltage lockout (UVLO) circuitry inhibits switching by keeping U_{GATE} and L_{GATE} low.

16.10 Soft-Start

The RT8816A provides both internal and external soft-start functions. The soft-start function is used to prevent large inrush current and output voltage overshoot during power-up. The soft-start function automatically begins once the chip is enabled. There is a delay time around 200μs from when EN goes high to when VOUT begins to ramp-up.

If the external capacitor from the OCSET/SS pin to GND is removed, the internal soft-start function is chosen. An internal current source charges the internal soft-start capacitor so that the internal soft-start voltage ramps up linearly. The output voltage will track the internal soft-start voltage during the soft-start interval. After the internal soft-start voltage exceeds the REFIN voltage, the output voltage no longer tracks the internal soft-start voltage but follows the REFIN voltage. Therefore, the duty cycle of the UGATE signal, as well as the input current at power-up are limited.

The soft-start process is finished when the internal SSOK goes high, and no protection is triggered. [Figure 6](#) shows the internal soft-start sequence.

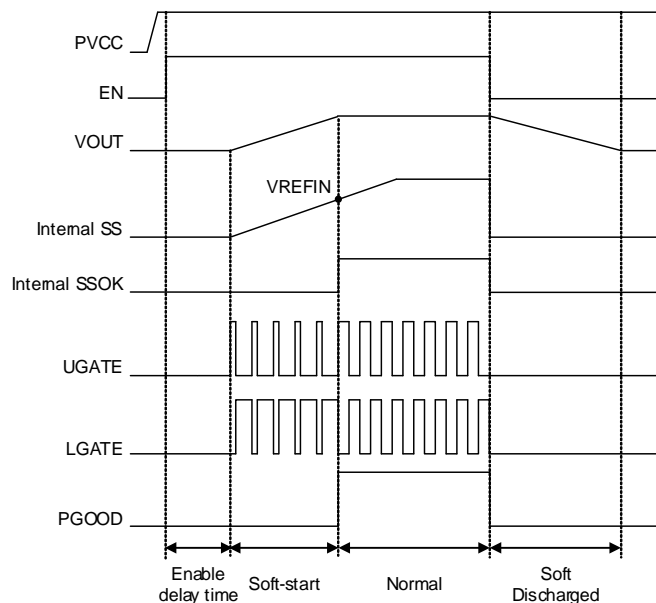


Figure 6. Internal Soft-Start Sequence

The RT8816A also provides an external soft-start function, and the external soft-start sequence is shown in [Figure 7](#), by connecting an additional capacitor from the OCSET/SS pin to GND. The external capacitor is charged by an internal current source to build the soft-start voltage ramp. If the external soft-start function is chosen, the external soft-start time should be set longer than the internal soft-start time to avoid output voltage tracking the internal soft-start ramp. The external soft-start time setting is shown in [Figure 8](#) and the recommended external soft-start slew rate is from 0.1V/ms to 0.4V/ms.

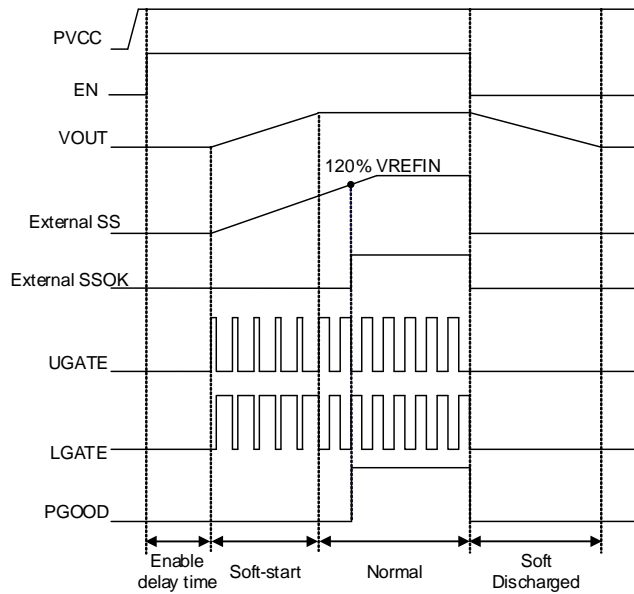


Figure 7. External Soft-Start Sequence

The soft-start time can be calculated as:

$$t_{ss} = -(C_{SS} \times R_{OCSET}) \times \ln \left[1 - \left(\frac{V_{REFIN}}{I_{SS} \times R_{OCSET}} \right) \right]$$

where $I_{SS} = 50\mu A$ (typical), V_{REFIN} is the voltage of the REFIN pin, R_{OCSET} is the current limit setting resistor, and C_{SS} is the external capacitor connected from the OCSET/SS pin to GND.

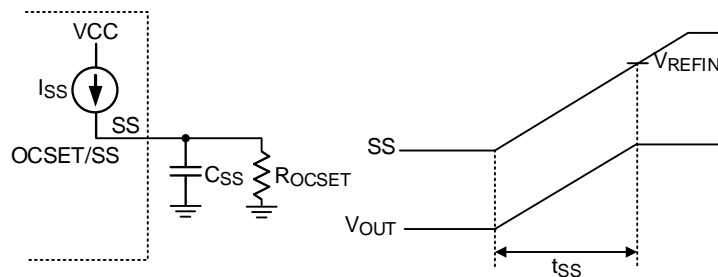


Figure 8. External Soft-Start Setting

For ensuring the soft-start function works normally, the following setting limitation must be followed:

$$R_{OCSET} \times 37\mu A > 1.2 \times V_{REFIN}$$

16.11 Power Good Output (PGOOD)

The PGOOD pin is an open-drain output, and it requires a pull-up resistor. During soft-start, the PGOOD is held low and is allowed to be pulled high after VOUT exceeds the UVP threshold and is under OVP threshold. In addition, if any protection is triggered during operation, the PGOOD is pulled low immediately.

16.12 PWM VID and Dynamic Output Voltage Control

The RT8816A features a PWM VID input for dynamic output voltage control, as shown in [Figure 9](#), which reduces the number of device pins and enables a wide dynamic voltage range. The output voltage is determined by the applied voltage on the REFIN pin. The PWM duty cycle determines the variable output voltage at REFIN.

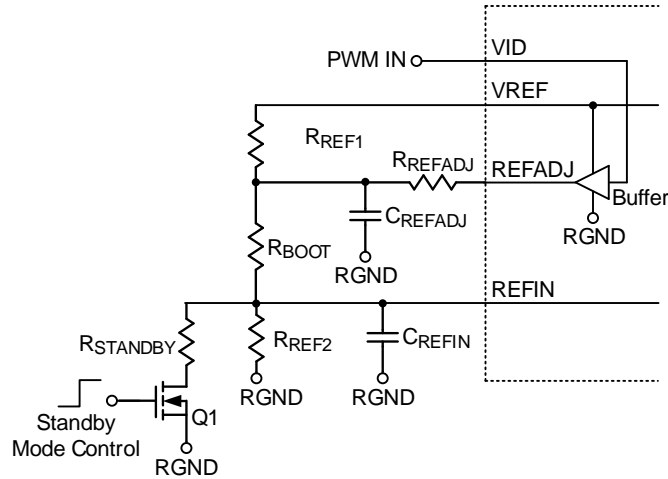


Figure 9. PWM VID Analog Circuit Diagram

With the external circuit and VID control signal, the controller provides three operation modes shown as [Figure 10](#).

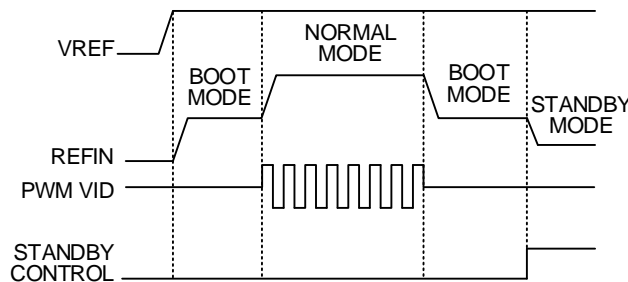


Figure 10. PWM VID Time Diagram

16.13 Boot Mode

When VID is not driven, the buffer output is in a tri-state condition. At this time, turn off the switch Q1 and connect a resistor divider, as shown in Figure 9, that can set the REFIN voltage to be VBOOT using the following equation:

$$V_{BOOT} = V_{VREF} \times \left(\frac{R_{REF2}}{R_{REF1} + R_{REF2} + R_{BOOT}} \right)$$

where $V_{VREF} = 2V$ (typical)

Choose RREF2 to be approximately 10kΩ, and the RREF1 and RBOOT can be calculated using the following equations:

$$R_{REF1} + R_{BOOT} = \frac{R_{REF2} \times (V_{VREF} - V_{BOOT})}{V_{BOOT}}$$

$$R_{REF1} = \frac{R_{REF2} \times (V_{VREF} - V_{BOOT})}{V_{BOOT}} - R_{BOOT}$$

$$R_{BOOT} = \frac{R_{REF2} \times (V_{VREF} - V_{BOOT})}{V_{BOOT}} - R_{REF1}$$

16.14 Standby Mode

An external control can provide a very low voltage to meet VOUT operating in standby mode. If the VID pin is floating and switch Q1 is enabled, as shown in Figure 9, the REFIN pin can be set for standby voltage according to the calculation below:

$$V_{STANDBY} = V_{VREF} \times \frac{R_{REF2} // R_{STANDBY}}{R_{REF1} + R_{BOOT} + (R_{REF2} // R_{STANDBY})}$$

By choosing RREF1, RREF2, and RBOOT, the RSTANDBY can be calculated by the following equation:

$$R_{STANDBY} = \frac{R_{REF2} \times (R_{REF1} + R_{BOOT}) \times V_{STANDBY}}{R_{REF2} \times V_{VREF} - V_{STANDBY} \times (R_{REF1} + R_{REF2} + R_{BOOT})}$$

16.15 Normal Mode

If the VID pin is driven by a PWM signal and switch Q1 is disabled as shown in Figure 9, the VREFIN can be adjusted from Vmin to Vmax, where Vmin is the voltage at zero percent PWM duty cycle and Vmax is the voltage at one hundred percent PWM duty cycle. The Vmin and Vmax can be set by the following equations:

$$V_{min} = V_{VREF} \times \frac{R_{REF2}}{R_{REF2} + R_{BOOT}} \times \frac{R_{REFADJ} // (R_{BOOT} + R_{REF2})}{R_{REF1} + [R_{REFADJ} // (R_{BOOT} + R_{REF2})]}$$

$$V_{max} = V_{VREF} \times \frac{R_{REF2}}{(R_{REF1} // R_{REFADJ}) + R_{BOOT} + R_{REF2}}$$

By choosing RREF1, RREF2, and RBOOT, the RREFADJ can be calculated by the following equation:

$$R_{REFADJ} = \frac{R_{REF1} \times V_{min}}{V_{max} - V_{min}}$$

The relationship between VID duty and VREFIN is shown in Figure 11, and VOUT can be set according to the calculation below:

$$V_{OUT} = V_{min} + N \times V_{STEP}$$

where VSTEP is the resolution of each voltage step 1:

$$V_{STEP} = \frac{(V_{max} - V_{min})}{N_{max}}$$

where Nmax is the number of total available voltage steps and N is the number of steps at a specific VOUT. The dynamic voltage VID period (Tvid = Tu x Nmax) is determined by the unit pulse width (Tu) and the available step number (Nmax). The recommended Tu is 27ns.

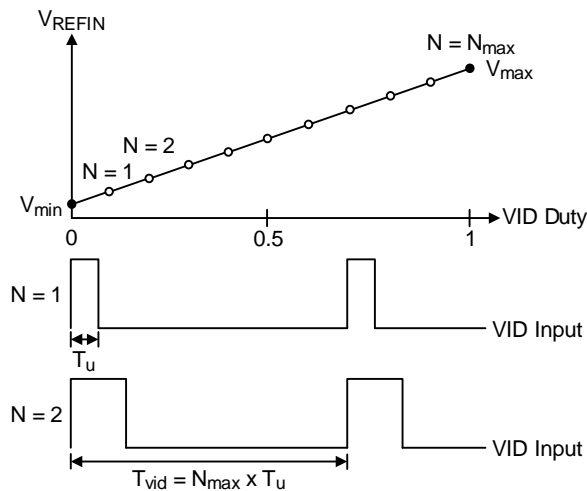


Figure 11. PWM VID Analog Output

16.16 VID Slew Rate Control

In the RT8816A, the VREFIN slew rate is proportional to the PWM VID duty, and the rising time and falling time are the same. In normal mode, the VREFIN slew rate SR can be estimated by CREFADJ or CREFIN as the following equation:

When choosing CREFADJ:

$$SR = \frac{(V_{REFIN_Final} - V_{REFIN_initial}) \times 80\%}{2.2R_{SR}C_{REFADJ}}$$

$$R_{SR} = [(R_{REF1} // R_{REFADJ}) // (R_{BOOT} + R_{REF2})]$$

When choosing CREFIN:

$$SR = \frac{(V_{REFIN_Final} - V_{REFIN_initial}) \times 80\%}{2.2R_{SR}C_{REFIN}}$$

$$R_{SR} = [(R_{REF1} // R_{REFADJ}) + R_{BOOT}] // R_{REF2}$$

The recommended SR is estimated by CREFADJ.

16.17 Current Limit

The RT8816A provides cycle-by-cycle current limit control by detecting the PHASE voltage drop across the low-side MOSFET when it is turned on. The current limit circuit employs a unique “valley” current sensing algorithm as shown in Figure 12. If the magnitude of the current sense signal at PHASE is above the current limit threshold, the PWM is not allowed to initiate a new cycle.

In order to provide both good accuracy and a cost effective solution, the RT8816A supports temperature compensated MOSFET RDS(ON) sensing.

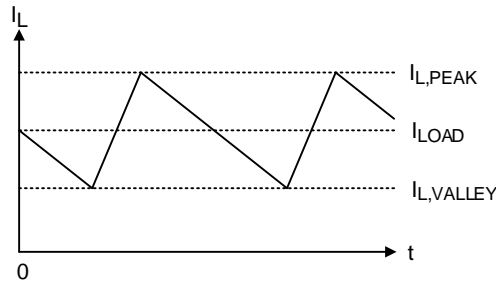


Figure 12. "Valley" Current Limit

In an overcurrent condition, the current to the load exceeds the average output inductor current. Thus, the output voltage falls and eventually crosses the undervoltage protection threshold, inducing IC shutdown.

16.18 Current Limit Setting

The RT8816A adopts per-phase current-limit protection. The current limit threshold can be set by a resistor (ROCSET) between the OCSET/SS pin and GND. Once PVCC exceeds the POR threshold and the chip is enabled, an internal current source IOCSET flows through ROCSET. After the soft-start ends, IOCSET is 10 μ A. The voltage across ROCSET is stored as the current limit protection threshold VOCSET. The threshold range of VOCSET is 20mV to 200mV. It can be calculated according to the following equation:

$$V_{OCSET} = \frac{I_{OCSET} \times R_{OCSET}}{12}$$

R_{OCSET} can be determined using the following equation:

$$R_{OCSET} = \frac{I_{VALLEY} \times R_{DS_ON} \times 12}{I_{OCSET}}$$

where I_{VALLEY} represents the desired per-phase inductor limit current (valley inductor current) and I_{OCSET} is the current limit setting current which has a temperature coefficient to compensate the temperature dependency of the R_{DS(ON)}.

If ROCSET is not present, there is no current path for IOCSET to build the current limit threshold. In this situation, the current limit threshold is internally preset to 200mV.

16.19 Negative Current Limit

The RT8816A supports cycle-by-cycle negative current limit. The absolute value of the negative current limit threshold is the same as the positive current limit threshold. If negative inductor current is rising to trigger negative current limit, the low-side MOSFET is turned off, and the current flows to the input side through the body diode of the high-side MOSFET. At this time, the output voltage tends to rise because this protection limits current to discharge the output capacitor. In order to prevent shutdown because of overvoltage protection, the low-side MOSFET is turned on again 400ns after it is turned off. If the device hits the negative current limit threshold again before the output voltage is discharged to the target level, the low-side MOSFET is turned off, and the process repeats. It ensures maximum allowable discharge capability when the output voltage continues to rise. On the other hand, if the output is discharged to the target level before the negative current limit threshold is reached, the low-side MOSFET is turned off, the high-side MOSFET is then turned on, and the device keeps normal operation.

16.20 Current Balance

The RT8816A implements a current balance mechanism in the current loop. The RT8816A senses per phase current signal and compares it with the average current. If the sensed current of any particular phase is higher than the average current, the on-time of this phase is decreased.

The current balance accuracy is mainly related to the on-resistance of the low-side MOSFET (RLG,DS(ON)). That is, in practical application, using lower RLG,DS(ON) will reduce the current balance accuracy.

16.21 Output Overvoltage Protection (OVP)

The output voltage can be continuously monitored for overvoltage protection. If the REFIN voltage is lower than 1.33V. The overvoltage threshold follows the absolute overvoltage of 2V. If the REFIN voltage is higher than 1.33V, the overvoltage threshold follows the relative overvoltage of 1.5 x VREFIN. When OVP is triggered, UGATE goes low and LGATE is forced high. The RT8816A is latched once OVP is triggered and can only be released by a PVCC or EN power on reset. A 5µs delay is used in the OVP detection circuit to prevent false trigger.

16.22 Output Undervoltage Protection (UVP)

The output voltage can be continuously monitored for under voltage protection. When the output voltage is less than 40% of its set voltage, undervoltage protection is triggered and then all UGATE and LGATE gate drivers are forced low. There is a 3µs delay built in the UVP circuit to prevent false transitions. During soft-start, the UVP blanking time is equal to the PGOOD blanking time.

16.23 MOSFET Gate Driver

The RT8816A integrates high current gate drivers for the MOSFETs to obtain high efficiency power conversion in a synchronous Buck topology. A dead-time is used to prevent the cross conduction for the high-side and low-side MOSFETs. Because both two gate signals are off during the dead-time, the inductor current freewheels through the body diode of the low-side MOSFET. The freewheeling current and the forward voltage of the body diode contribute to power losses in the converter. The RT8816A employs an adaptive dead time control scheme to ensure safe operation without sacrificing efficiency. Furthermore, an elaborate logic circuit is implemented to prevent cross conduction. For high output current applications, two power MOSFETs are usually paralleled to reduce RDS(ON). The gate driver needs to provide more current to switch on/off these paralleled MOSFETs. A gate driver with a lower source/sink current capability results in longer rising/falling times in gate signals and higher switching losses. The RT8816A embeds high current gate drivers to obtain high efficiency power conversion.

16.24 MOSFET Selection

The majority of power loss in the step-down power conversion is due to the loss in the power MOSFETs. For low voltage high current applications, the duty cycle of the high-side MOSFET is small. Therefore, the switching loss of the high-side MOSFET is of concern. Power MOSFETs with a lower total gate charge are preferred in such applications.

However, the small duty cycle means the low-side MOSFET is on for most of the switching cycle. Therefore, the conduction loss tends to dominate the total power loss of the converter. To improve the overall efficiency, the MOSFETs with low RDS(ON) are preferred in the circuit design. In some cases, more than one MOSFET is connected in parallel to further decrease the on-state resistance. However, this depends on the low-side MOSFET driver capability and the budget.

16.25 Inductor Selection

The inductor plays an important role in step-down converters because the energy from the input power rail is stored in it and then released to the load. From the viewpoint of efficiency, the DC Resistance (DCR) of the inductor should be as small as possible to minimize the copper loss. In addition, the inductor occupies most of the board space, so its size is important. Low profile inductors can save board space, especially when the height is limited. However, low DCR and low-profile inductors are usually not cost effective.

Additionally, the higher inductance results in lower ripple current, which means the lower power loss. However, the inductor current rising time increases with the inductance value. This means the transient response will be slower. Therefore, the inductor design is a trade-off between performance, size, and cost.

In general, inductance is designed to let the ripple current ranges between 20% to 40% of the full load current. The inductance can be calculated using the following equation:

$$L_{\min} = \frac{V_{\text{IN}} - V_{\text{OUT}}}{f_{\text{SW}} \times k \times I_{\text{OUT_rated}}} \times \frac{V_{\text{OUT}}}{V_{\text{IN}}}$$

where k is the ratio between the inductor ripple current and the rated output current.

16.26 Input Capacitor Selection

Voltage rating and current rating are the key parameters in selecting an input capacitor. Generally, the input capacitor voltage rating should be 1.5 times greater than the maximum input voltage for a conservatively safe design.

The input capacitor is used to supply the input RMS current, which can be approximately calculated using the following equation:

$$I_{\text{RMS}} = I_{\text{OUT}} \times \sqrt{\frac{V_{\text{OUT}}}{V_{\text{IN}}} \times \left(1 - \frac{V_{\text{OUT}}}{V_{\text{IN}}}\right)}$$

The next step is to select a proper capacitor for the RMS current rating. Using more than one capacitor with low Equivalent Series Resistance (ESR) in parallel to form a capacitor bank is a good design. Besides, placing a ceramic capacitor close to the drain of the high-side MOSFET is helpful in reducing the input voltage ripple at heavy load.

16.27 Output Capacitor Selection

The output filter capacitor must have an ESR low enough to meet the output ripple and load transient requirements, yet have a high enough ESR to satisfy stability requirements. Also, the capacitance must be high enough to absorb the inductor energy going from a full load to no load condition without tripping the OVP circuit. Organic semiconductor capacitor(s) or special polymer capacitor(s) are recommended.

16.28 Thermal Considerations

The junction temperature should never exceed the absolute maximum junction temperature $T_{\text{J(MAX)}}$, listed under Absolute Maximum Ratings, to avoid permanent damage to the device. The maximum allowable power dissipation depends on the thermal resistance of the IC package, the PCB layout, the rate of surrounding airflow, and the difference between the junction and ambient temperatures. The maximum power dissipation can be calculated using the following formula:

$$P_{\text{D(MAX)}} = (T_{\text{J(MAX)}} - T_{\text{A}}) / \theta_{\text{JA}}$$

where $T_{\text{J(MAX)}}$ is the maximum junction temperature, T_{A} is the ambient temperature, and θ_{JA} is the junction-to-ambient thermal resistance.

For continuous operation, the maximum operating junction temperature indicated under Recommended Operating Conditions is 105°C. The junction-to-ambient thermal resistance, θ_{JA} , is highly package dependent. For a WQFN-20L 3x3 package, the thermal resistance, θ_{JA} , is 30°C/W on a standard JEDEC 51-7 high effective-thermal-conductivity four-layer test board.

The maximum power dissipation at $T_A = 25^\circ\text{C}$ can be calculated as below:

$$P_{D(\text{MAX})} = (105^\circ\text{C} - 25^\circ\text{C}) / (30^\circ\text{C}/\text{W}) = 2.67\text{W for a WQFN-20L 3x3 package.}$$

The maximum power dissipation depends on the operating ambient temperature for the fixed $T_{J(\text{MAX})}$ and the thermal resistance, θ_{JA} . The derating curve in [Figure 13](#) allows the designer to see the effect of rising ambient temperature on the maximum power dissipation.

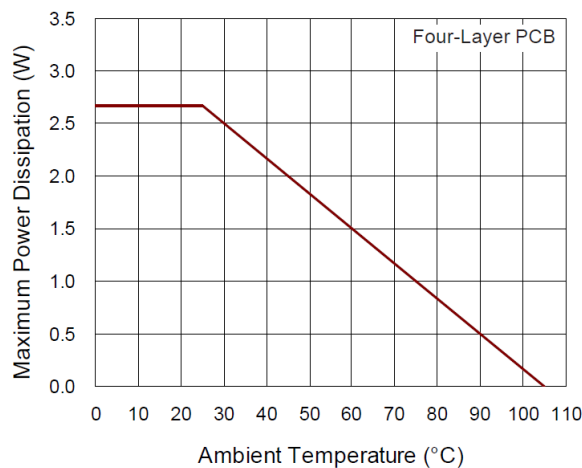


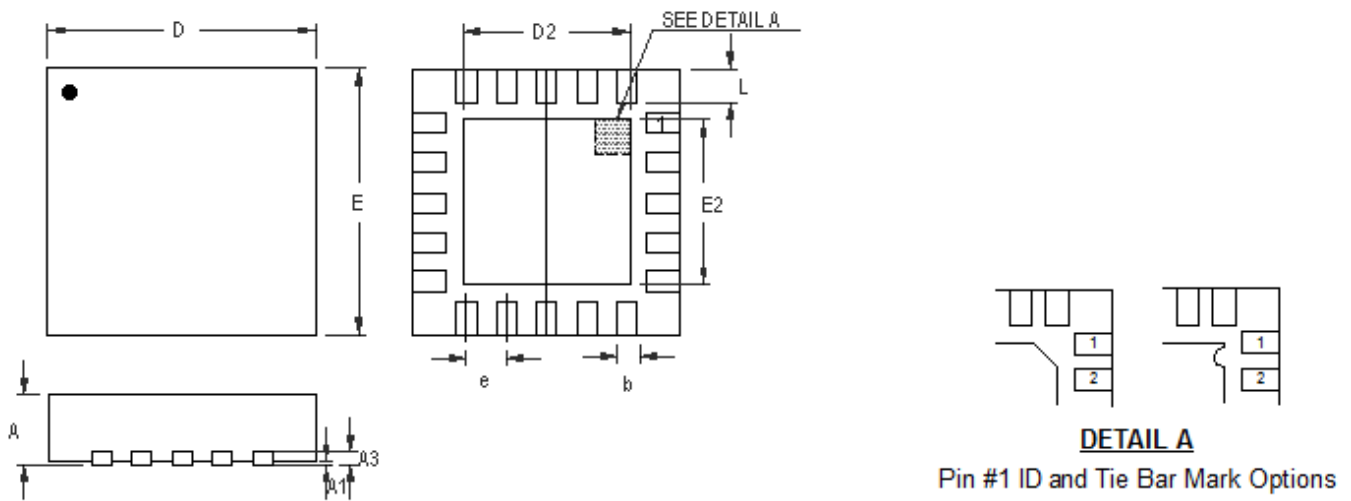
Figure 13. Derating Curve of Maximum Power Dissipation

16.29 Layout Considerations

Layout is very important in high frequency switching converter design. If designed improperly, the PCB can radiate excessive noise and contribute to the converter instability. The following layout guidelines must be considered before starting a layout for the RT8816A.

- ▶ Place the RC filter as close as possible to the PVCC pin.
- ▶ Keep the current limit setting network as close as possible to the IC. The routing of the network should avoid coupling to the high voltage switching node.
- ▶ Connections from the drivers to the respective gates of the high-side or the low-side MOSFET should be as short as possible to reduce stray inductance.
- ▶ All sensitive analog traces and components such as VSNS, RGND, EN, PSI, VID, PGOOD, VREF, TON, REFADJ, and REFIN should be placed away from high voltage switching nodes such as PHASE, LGATE, UGATE, or BOOT nodes to avoid coupling. Use internal layer(s) as ground plane(s) and shield the feedback trace from power traces and components.
- ▶ Power sections should connect directly to ground plane(s) using multiple vias as required for current handling (including the chip power ground connections). Power components should be placed to minimize loops and reduce losses.

17 Outline Dimension

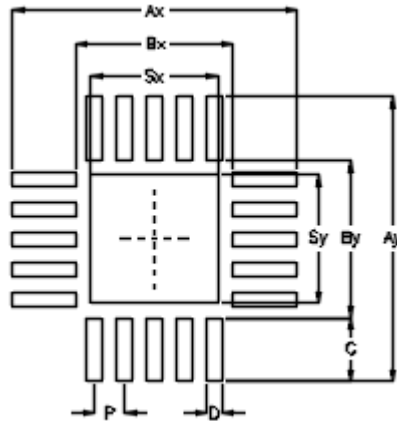


Note : The configuration of the Pin #1 identifier is optional, but must be located within the zone indicated.

Symbol	Dimensions In Millimeters		Dimensions In Inches	
	Min	Max	Min	Max
A	0.700	0.800	0.028	0.031
A1	0.000	0.050	0.000	0.002
A3	0.175	0.250	0.007	0.010
b	0.150	0.250	0.006	0.010
D	2.900	3.100	0.114	0.122
D2	1.650	1.750	0.065	0.069
E	2.900	3.100	0.114	0.122
E2	1.650	1.750	0.065	0.069
e	0.400		0.016	
L	0.350	0.450	0.014	0.018

W-Type 20L QFN 3x3 Package

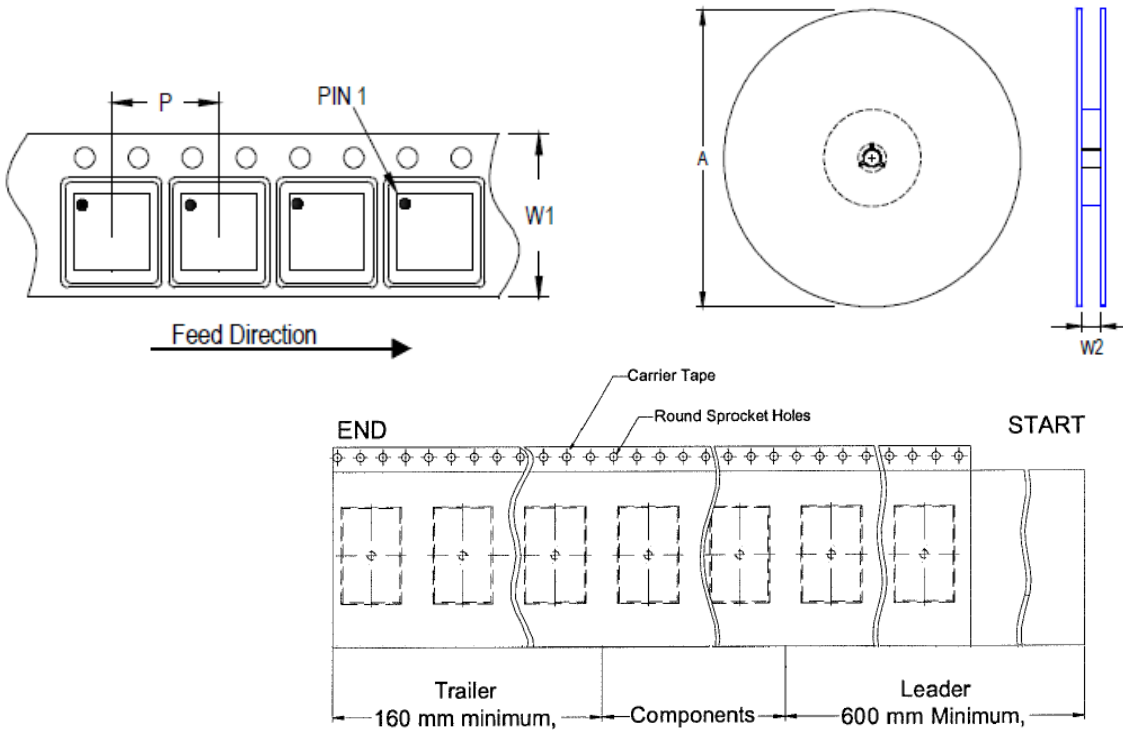
18 Footprint Information



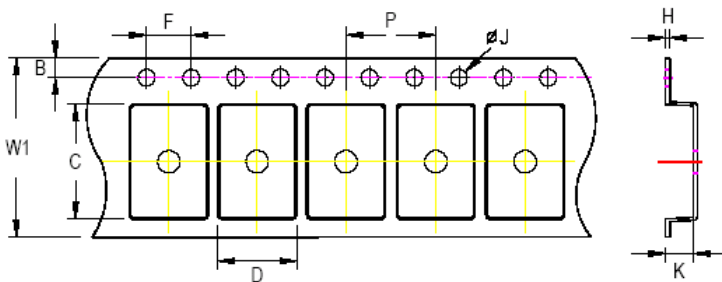
Package	Number of Pin	Footprint Dimension (mm)									Tolerance
		P	Ax	Ay	Bx	By	C	D	Sx	Sy	
V/W/U/XQFN3*3-20	20	0.40	3.80	3.80	2.10	2.10	0.85	0.20	1.70	1.70	±0.05

19 Packing Information

19.1 Tape and Reel Data









Package Type	Tape Size (W1) (mm)	Pocket Pitch (P) (mm)	Reel Size (A)		Units per Reel	Trailer (mm)	Leader (mm)	Reel Width (W2) Min./Max. (mm)
			(mm)	(in)				
QFN/DFN 3x3	12	8	180	7	1,500	160	600	12.4/14.4



C, D, and K are determined by component size.
 The clearance between the components and the cavity is as follows:
 - For 12mm carrier tape: 0.5mm max.

Tape Size	W1	P		B		F		ØJ		H
	Max.	Min.	Max.	Min.	Max.	Min.	Max.	Min.	Max.	Max.
12mm	12.3mm	7.9mm	8.1mm	1.65mm	1.85mm	3.9mm	4.1mm	1.5mm	1.6mm	0.6mm

19.2 Tape and Reel Packing

Step	Photo/Description	Step	Photo/Description
1	 Reel 7"	4	 3 reels per inner box Box A
2	 HIC & Desiccant (1 Unit) inside	5	 12 inner boxes per outer box
3	 Caution label is on backside of Al bag	6	 Outer box Carton A

Package	Reel		Box				Carton			
	Size	Units	Item	Size(cm)	Reels	Units	Item	Size(cm)	Boxes	Unit
QFN & DFN 3x3	7"	1,500	Box A	18.3*18.3*8.0	3	4,500	Carton A	38.3*27.2*40.0	12	54,000
			Box E	18.6*18.6*3.5	1	1,500	For Combined or Partial Reel.			

19.3 Packing Material Anti-ESD Property

Surface Resistance	Aluminum Bag	Reel	Cover tape	Carrier tape	Tube	Protection Band
Ω/cm^2	10^4 to 10^{11}	10^4 to 10^{11}	10^4 to 10^{11}	10^4 to 10^{11}	10^4 to 10^{11}	10^4 to 10^{11}

Richtek Technology Corporation

14F, No. 8, Tai Yuen 1st Street, Chupei City

Hsinchu, Taiwan, R.O.C.

Tel: (8863)5526789



Richtek products are sold by description only. Richtek reserves the right to change the circuitry and/or specifications without notice at any time. Customers should obtain the latest relevant information and data sheets before placing orders and should verify that such information is current and complete. Richtek cannot assume responsibility for use of any circuitry other than circuitry entirely embodied in a Richtek product. Information furnished by Richtek is believed to be accurate and reliable. However, no responsibility is assumed by Richtek or its subsidiaries for its use; nor for any infringements of patents or other rights of third parties which may result from its use. No license is granted by implication or otherwise under any patent or patent rights of Richtek or its subsidiaries.

Copyright © 2024 Richtek Technology Corporation. All rights reserved.  is a registered trademark of Richtek Technology Corporation.

www.richtek.com

DS8816A-08 February 2024

20 Datasheet Revision History

Version	Date	Description	Item
00	2024/2/23	Modify	General Description on P1 Ordering Information on P2 Electrical Characteristics on P9, 10 Application Information on P16 Footprint Information on P29 Packing Information on P30, 31, 32