

# DDR VDDQ and Termination Voltage Regulator

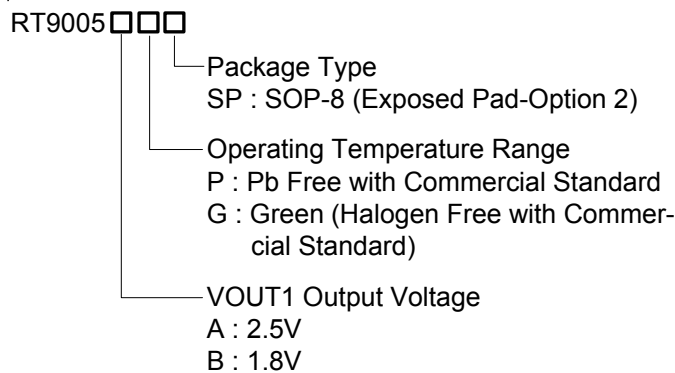
## General Description

The RT9005A/B is a dual-output linear regulator for DDR-SDRAM VDDQ supply and termination voltage VTT supply.

The Regulator is capable of actively sinking or sourcing up to 2A. The output termination voltage can be tightly regulated to track 1/2 VDDQ by two external voltage divider resistors.

www.DataSheet4U.com

## Ordering Information



Note :

Richtek Pb-free and Green products are :

- ▶RoHS compliant and compatible with the current requirements of IPC/JEDEC J-STD-020.
- ▶Suitable for use in SnPb or Pb-free soldering processes.
- ▶100% matte tin (Sn) plating.

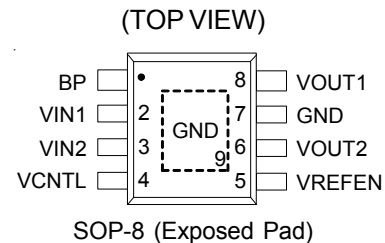
## Features

- Ideal for DDR-I and DDR-II VDDQ, VTT Applications
- Integrated Power MOSFETs
- Generates Termination Voltage for SSTL\_2, SSTL\_18, HSTL, SCSI-2 and SCSI-3 Interfaces
- High Accuracy Output Voltage at Full-Load
- VOUT2 Sink and Source 2A Continuous Current
- VOUT2 Adjustment by Two External Resistors
- Shutdown for Suspend to RAM (STR) Functionality with High-Impedance Output
- Current Limiting Protection
- On-Chip Thermal Protection
- Available in SOP-8 (Exposed Pad) Packages
- RoHS Compliant and 100% Lead (Pb)-Free

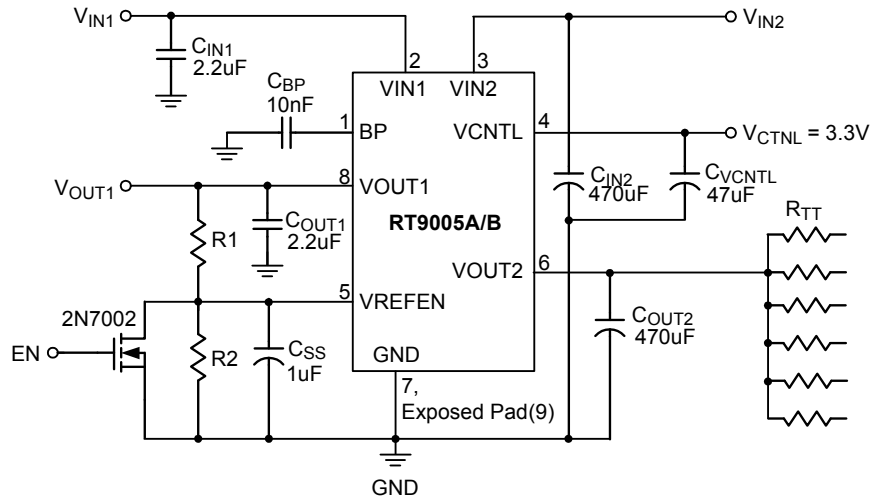
## Applications

- Desktop PCs, Notebooks, and Workstations
- Graphics Card Memory Termination
- Set Top Boxes, Digital TVs, Printers
- Embedded Systems
- Active Termination Buses
- DDR-I and DDR-II Memory Systems

## Pin Configurations



Typical Application Circuit

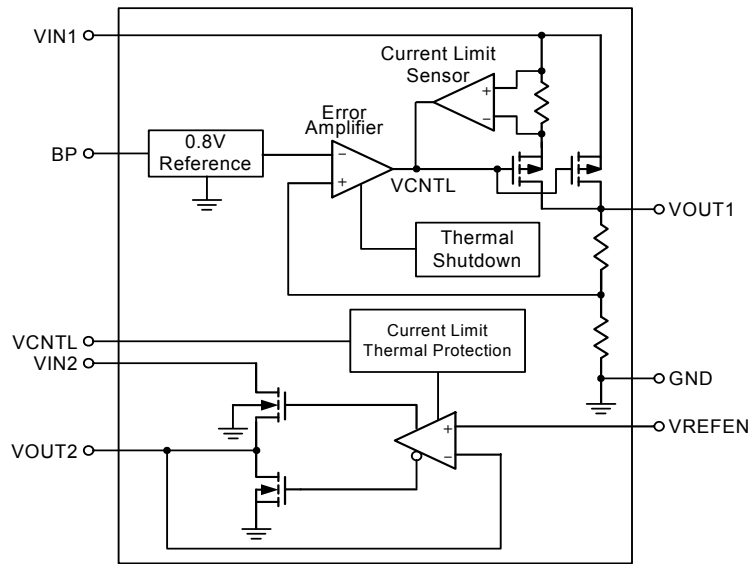


**Note :** If there is any application need to use 10μF ceramic capacitor in front of R<sub>TT</sub>, please shut one 1000μF (Aluminum electrolytic capacitor).

Functional Pin Description

| Pin No.               | Pin Name | Pin Function  |
|-----------------------|----------|---|
| 1                     | BP       | Noise Reduction. Connecting a 10nF capacitor to GND to reduce output noise.   |
| 7,<br>Exposed Pad (9) | GND      | Common Ground (The exposed pad must be soldered to a large PCB and connected to GND for maximum power dissipation). The GND pad are a should be as large as possible and using many vias to conduct the heat into the buried GND plate of PCB layer.  |
| 2                     | VIN1     | Linear Regulator Power Input Voltage.   |
| 3                     | VIN2     | Input voltage which supplies current to the output pin. Connect this pin to a well-decoupled supply voltage. To prevent the input rail from dropping during large load transient, a large, low ESR capacitor is recommended to use. The capacitor should be placed as close as possible to the VIN2 pin.  |
| 4                     | VCNTL    | VCNTL supplies the internal control circuitry and provides the drive voltage. The driving capability of output current is proportioned to the VCNTL. Connect this pin to 3.3V bias supply to handle large output current with at least 10uF capacitor from this pin to GND.   |
| 5                     | VREFEN   | Reference voltage input and active low VOUT2 shutdown control pin. Two resistors dividing down the VIN voltage on the pin to create the regulated output voltage. Pulling the pin to ground turns off the device by an open-drain, such as 2N7002, signal N-MOSFET.   |
| 6                     | VOUT2    | Regulator Output. VOUT2 is regulated to REFEN voltage that is used to terminate the bus resistors. It is capable of sinking and sourcing current while regulating the output rail. To maintain adequate large signal transient response, typical value of 1000μF AL electrolytic capacitor with 10μF ceramic capacitors are recommended to reduce the effects of current transients on V <sub>OUT</sub> . |
| 8                     | VOUT1    | Regulator 2.5V/1.8/1.5V Output.   |

Function Block Diagram



www.DataSheet4U.com

## Absolute Maximum Ratings (Note 1)

|   |                |
|---|----------------|
| • Supply Input Voltage, $V_{IN}$ -----              | 6V             |
| • Power Dissipation, $P_D @ T_A = 25^\circ\text{C}$ |                |
| SOP-8 (Exposed) -----                               | 1.33W          |
| • Package Thermal Resistance (Note 4)               |                |
| SOP-8 (Exposed), $\theta_{JA}$ -----                | 75°C/W         |
| SOP-8 (Exposed), $\theta_{JC}$ -----                | 28°C/W         |
| • Junction Temperature-----                         | 150°C          |
| • Lead Temperature (Soldering, 10sec.)-----         | 260°C          |
| • Storage Temperature Range-----                    | -65°C to 150°C |
| • ESD Susceptibility (Note 2)                       |                |
| HBM (Human Body Mode)-----                          | 2kV            |
| MM (Machine Mode)-----                              | 200V           |

## Recommended Operating Conditions (Note 3)

|   |                |
|---|----------------|
| • Supply Input Voltage, $V_{IN1}$ ----- | 5V to 2.5V     |
| • Supply Input Voltage, $V_{IN2}$ ----- | 3.6V to 1.5V   |
| • Control Voltage, $V_{CNTL}$ -----     | 5V to 3.1V     |
| • Junction Temperature Range-----       | -40°C to 125°C |
| • Ambient Temperature Range-----        | -40°C to 85°C  |

## Electrical Characteristics

( $V_{IN1} = 3.3\text{V}$ ,  $V_{IN1} = V_{OUT} + 1\text{V}$ ,  $C_{IN1} = C_{OUT1} = 2.2\mu\text{F}$  (Ceramic) &  $C_{BP} = 10\text{nF}$ ;  $V_{IN2} = 2.5\text{V}/1.8/1.5\text{V}$ ,  $V_{CNTL} = 3.3\text{V}$ ,  $V_{REFEN} = 1.25\text{V}/0.9/0.75\text{V}$ ,  $C_{IN2} = 470\mu\text{F}$ ,  $C_{VCNTL} = 47\mu\text{F}$ ,  $C_{OUT2} = 1000\mu\text{F}$  (Electrolytic),  $T_A = 25^\circ\text{C}$ , unless otherwise specified)

| Parameter                      | Symbol            | Test Conditions  | Min | Typ | Max | Units         |
|--------------------------------|-------------------|--|-----|-----|-----|---------------|
| <b>Input</b>                   |                   |  |     |     |     |               |
| Operation Current              | $I_{VCNTL}$       | $I_{OUT} = 0\text{A}$  | --  | 1.5 | 3.0 | mA            |
| Standby Current (Note 5)       | $I_{STBY2}$       | $V_{REFEN} < 0.2\text{V}$ (Shutdown),<br>$R_{LOAD} = 180\Omega$              | --  | 50  | 90  | $\mu\text{A}$ |
| <b>VOUT1 (VDDQ)</b>            |                   |  |     |     |     |               |
| VOUT1 Accuracy                 | $\Delta V_{OUT}$  | $I_{OUT} = 10\text{mA}$  | -2  | --  | +2  | V             |
| VOUT1 Current Limit            | $I_{LIM1}$        | $R_{LOAD} = 0.5\Omega$ , $V_{IN1} = 3.3\text{V}$                             | 2   | 2.8 | 3   | A             |
| VOUT1 Dropout Voltage (Note 6) | $V_{DROP}$        | $I_{OUT} = 0.5\text{A}$  | --  | 120 | 180 | mV            |
|                                |                   | $I_{OUT} = 1.0\text{A}$  | --  | 240 | 360 |               |
| Line Regulation                | $\Delta V_{LINE}$ | $V_{IN1} = (V_{OUT1} + 0.5\text{V})$ to 5.5V<br>$I_{OUT1} = 1\text{mA}$      | --  | --  | 0.3 | %             |
| Load Regulation (Note 7)       | $\Delta V_{LOAD}$ | $V_{IN1} = (V_{OUT1} + 0.5\text{V})$<br>$10\text{mA} < I_{OUT1} < 1\text{A}$ | --  | 0.4 | --  | %/A           |
| <b>VOUT2 (VTT)</b>             |                   |  |     |     |     |               |
| Output Offset Voltage (Note 8) | $V_{OS}$          | $I_{OUT} = 0\text{A}$  | -20 | --  | +20 | mV            |

To be continued

| Parameter                    | Symbol            | Test Conditions | Min | Typ | Max | Units |
|------------------------------|-------------------|-----------------|-----|-----|-----|-------|
| Load Regulation (Note 7)     | $\Delta V_{LOAD}$ | $I_{OUT} = +2A$ | -20 | --  | +20 | mV    |
|                              |                   | $I_{OUT} = -2A$ |     |     |     |       |
| VOUT2 Current Limit          | $I_{LIM2}$        |                 | 2.2 | --  | --  | A     |
| <b>Protection</b>            |                   |                 |     |     |     |       |
| Thermal Shutdown Temperature | $T_{SD}$          |                 | --  | 170 | --  | °C    |
| Thermal Shutdown Hysteresis  | $\Delta T_{SD}$   |                 | --  | 35  | --  | °C    |
| <b>REFEN Shutdown</b>        |                   |                 |     |     |     |       |
| Shutdown Threshold           | $V_{IH}$          | Enable          | 0.6 | --  | --  | V     |
|                              | $V_{IL}$          | Shutdown        | --  | --  | 0.2 |       |

**Note 1.** Stresses listed as the above "Absolute Maximum Ratings" may cause permanent damage to the device. These are for stress ratings. Functional operation of the device at these or any other conditions beyond those indicated in the operational sections of the specifications is not implied. Exposure to absolute maximum rating conditions for extended periods may remain possibility to affect device reliability.

**Note 2.** Devices are ESD sensitive. Handling precaution recommended.

**Note 3.** The device is not guaranteed to function outside its operating conditions.

**Note 4.**  $\theta_{JA}$  is measured in the natural convection at  $T_A = 25^\circ C$  on a high effective thermal conductivity test board (4 Layers, 2S2P) of JEDEC 51-7 thermal measurement standard. The case point of  $\theta_{JC}$  is on the expose pad for SOP-8 (Exposed Pad) package.

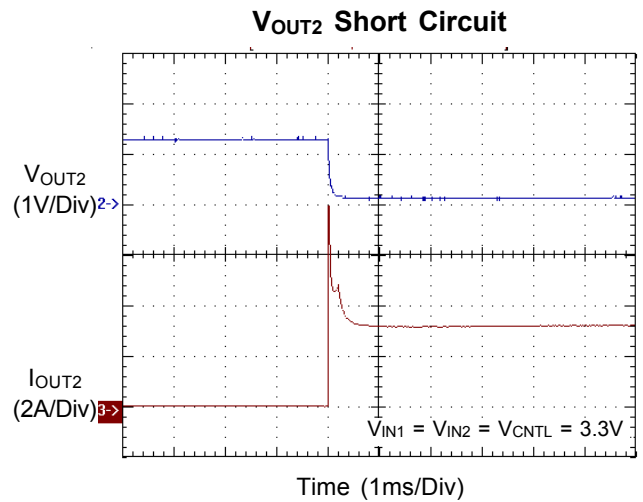
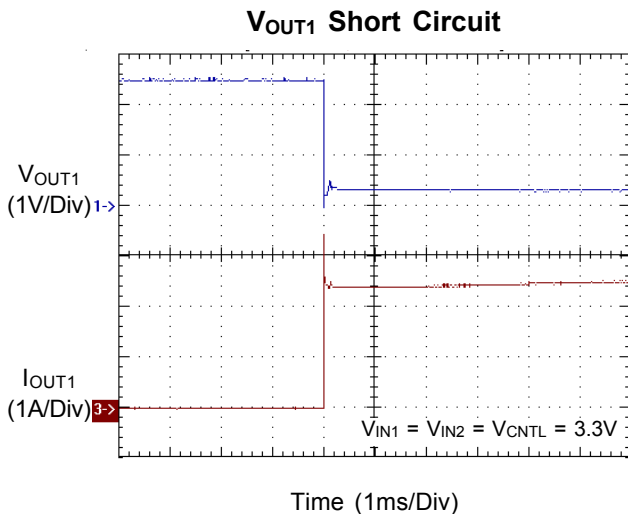
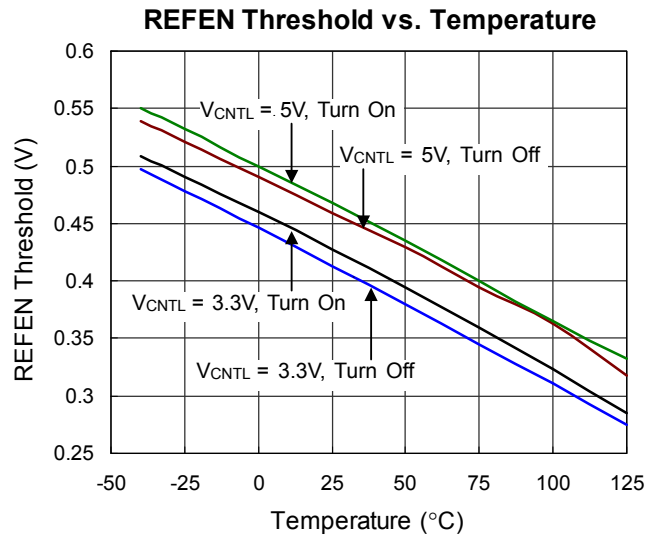
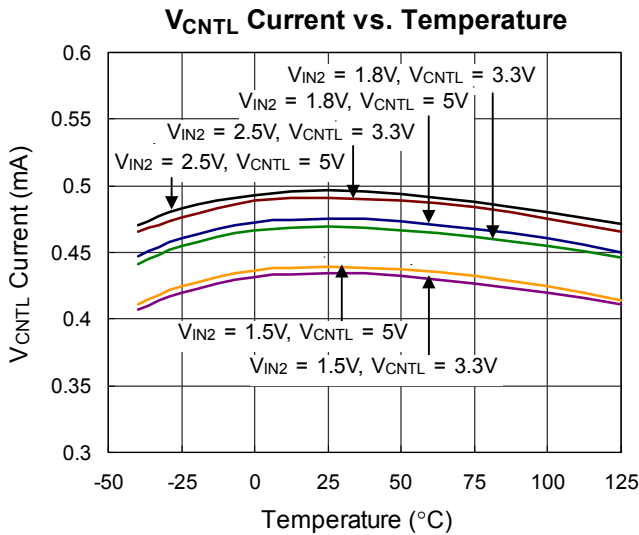
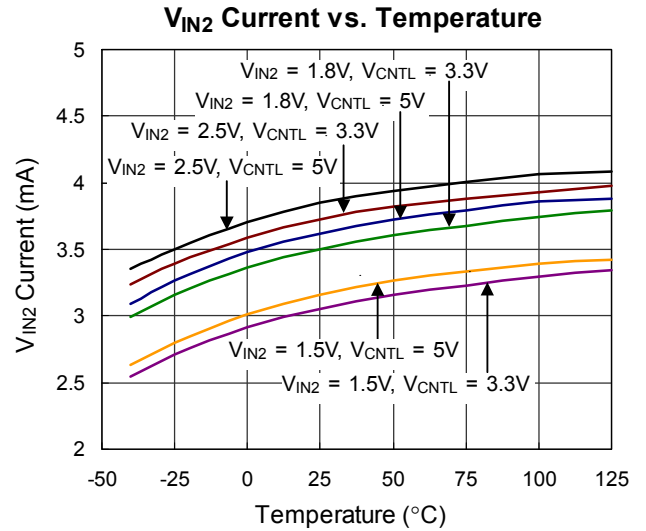
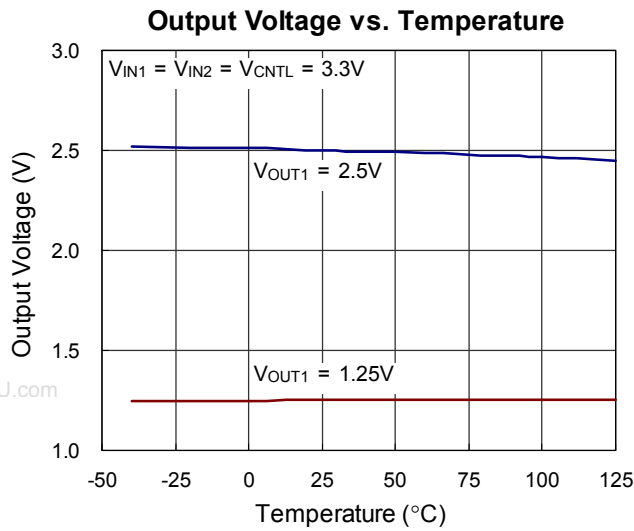
**Note 5.**  $V_{OUT2}$  Standby current is the input current drawn by a regulator when the output voltage is disabled by a shutdown signal on REFEN pin ( $V_{IL} < 0.2V$ ). It is measured with  $V_{IN2} = V_{CNTL} = 5V$ .

**Note 6.** The dropout voltage is defined as  $V_{IN} - V_{OUT}$ , which is measured when  $V_{OUT}$  is  $V_{OUT(NORMAL)} - 100mV$ .

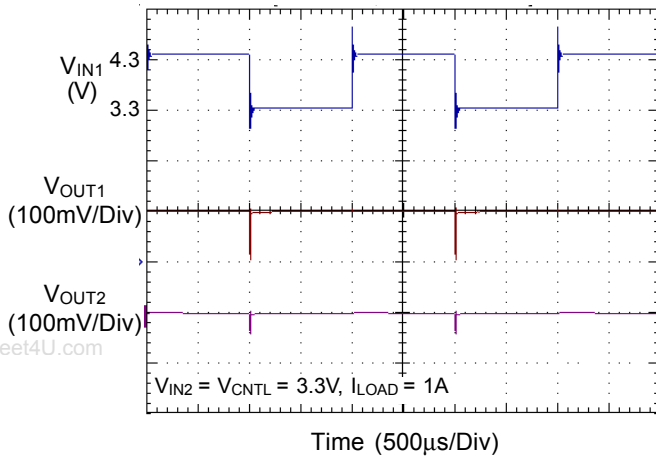
**Note 7.** Regulation is measured at constant junction temperature by using a 5ms current pulse. Devices are tested for load regulation in the load range from 0A to 2A.

**Note 8.**  $V_{OS}$  offset is the voltage measurement defined as  $V_{OUT}$  subtracted from  $V_{REFEN}$ .

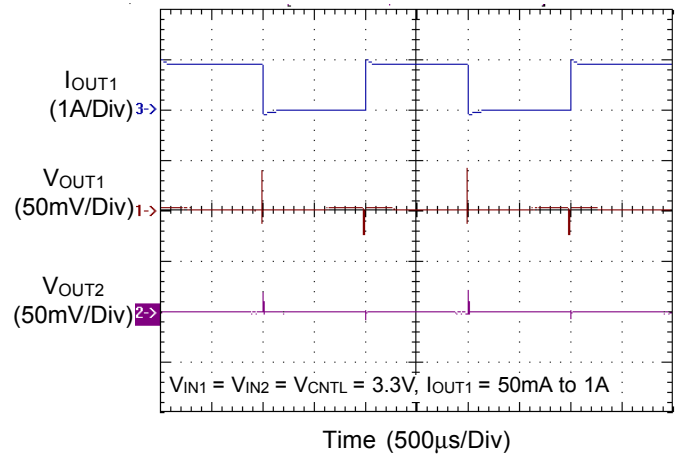
Typical Operating Characteristics



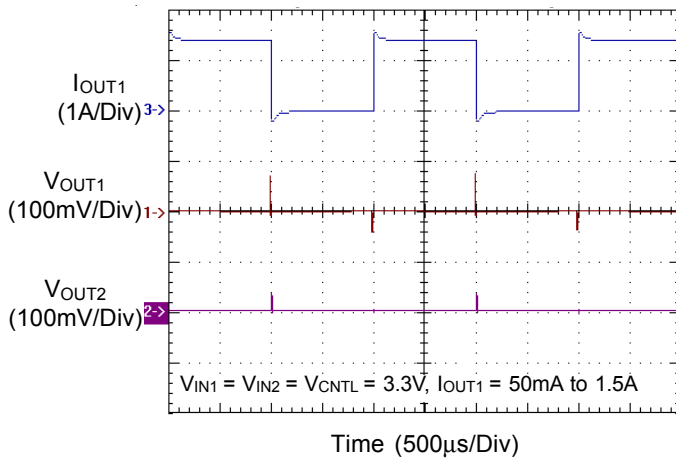
**Line Transient Response**



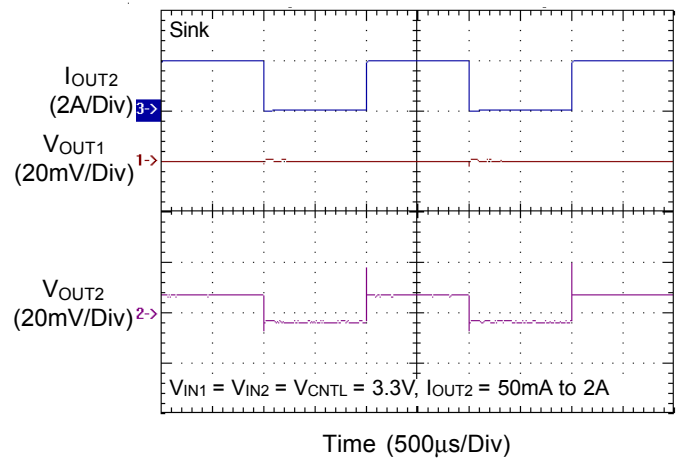
**V<sub>OUT1</sub> @ 1A Load Transient Response**



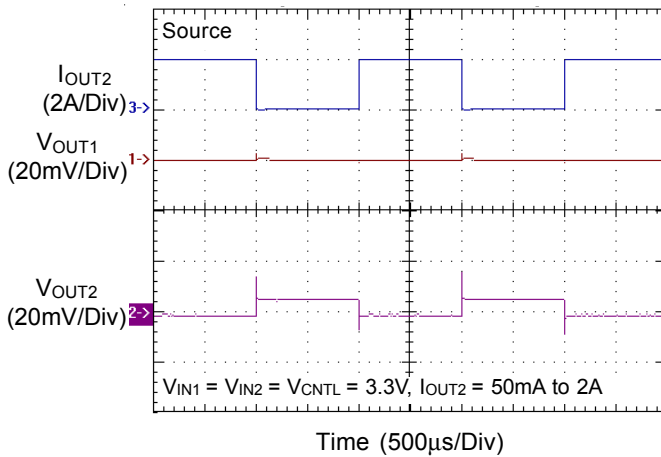
**V<sub>OUT1</sub> @ 1.5A Load Transient Response**



**V<sub>OUT2</sub> @ 2A Load Transient Response**



**V<sub>OUT2</sub> @ 2A Load Transient Response**



Application Information

Thermal Consideration

RT9005A/B regulators have internal thermal limiting circuitry designed to protect the device during overload conditions. For continued operation, do not exceed maximum operation junction temperature 125°C. The power dissipation definition in device is :

$$P_D = (V_{IN} - V_{OUT}) \times I_{OUT} + V_{IN} \times I_Q$$

The maximum power dissipation depends on the thermal resistance of IC package, PCB layout, the rate of surroundings airflow and temperature difference between junction to ambient. The maximum power dissipation can be calculated by following formula :

$$P_{D(MAX)} = (T_{J(MAX)} - T_A) / \theta_{JA}$$

Where  $T_{J(MAX)}$  is the maximum operation junction temperature 125°C,  $T_A$  is the ambient temperature and the  $\theta_{JA}$  is the junction to ambient thermal resistance. The junction to ambient thermal resistance ( $\theta_{JA}$  is layout dependent) for SOP-8 package (Exposed Pad) is 75°C/W on standard JEDEC 51-7 (4 layers, 2S2P) thermal test board. The maximum power dissipation at  $T_A = 25^\circ\text{C}$  can be calculated by following formula :

$$P_{D(MAX)} = (125^\circ\text{C} - 25^\circ\text{C}) / 75^\circ\text{C/W} = 1.33\text{W}$$

Figure 2 show the package sectional drawing of SOP-8 (Exposed Pad). Every package has several thermal dissipation paths. As show in Figure 2, the thermal resistance equivalent circuit of SOP-8 (Exposed Pad). The path 2 is the main path due to these materials thermal conductivity. We define the exposed pad is the case point of the path 2.

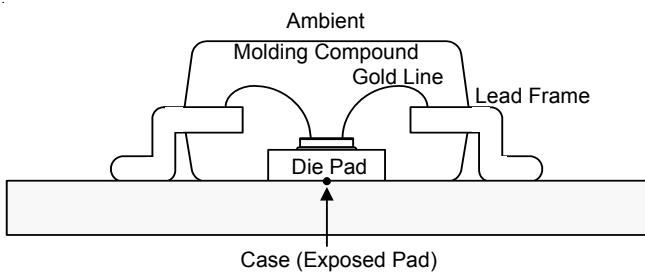


Figure 1. SOP-8 (Exposed Pad) Package Sectional Drawing

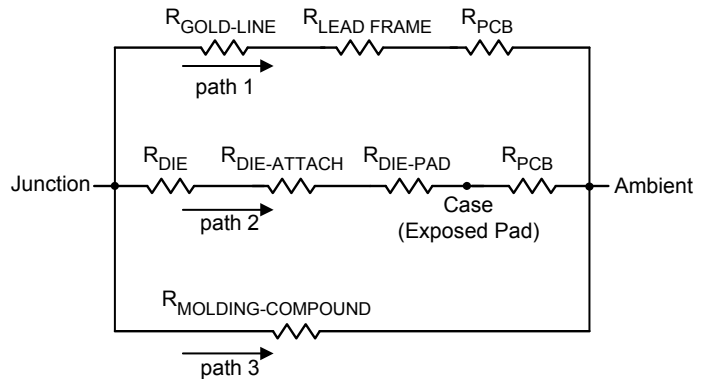


Figure 2. Thermal Resistance Equivalent Circuit

The thermal resistance  $\theta_{JA}$  of SOP-8 (Exposed Pad) is determined by the package design and the PCB design. However, the package design has been decided. If possible, it's useful to increase thermal performance by the PCB design. The thermal resistance can be decreased by adding copper under the expose pad of SOP-8 package.

About PCB layout, the Figure 3 show the relation between thermal resistance  $\theta_{JA}$  and copper area on a standard JEDEC 51-7 (4 layers, 2S2P) thermal test board at  $T_A = 25^\circ\text{C}$ . We have to consider the copper couldn't stretch infinitely and avoid the tin overflow. We use the "dog-bone" copper patterns on the top layer as Figure 4.

As shown in Figure 5, the amount of copper area to which the SOP-8 (Exposed Pad) is mounted affects thermal performance. When mounted to the standard SOP-8 (Exposed Pad) pad of 2 oz. copper (Figure 5.a),  $\theta_{JA}$  is 75°C/W. Adding copper area of pad under the SOP-8 (Exposed Pad) (Figure 5.b) reduces the  $\theta_{JA}$  to 64°C/W. Even further, increasing the copper area of pad to 70mm<sup>2</sup> (Figure 5.e) reduces the  $\theta_{JA}$  to 49°C/W.



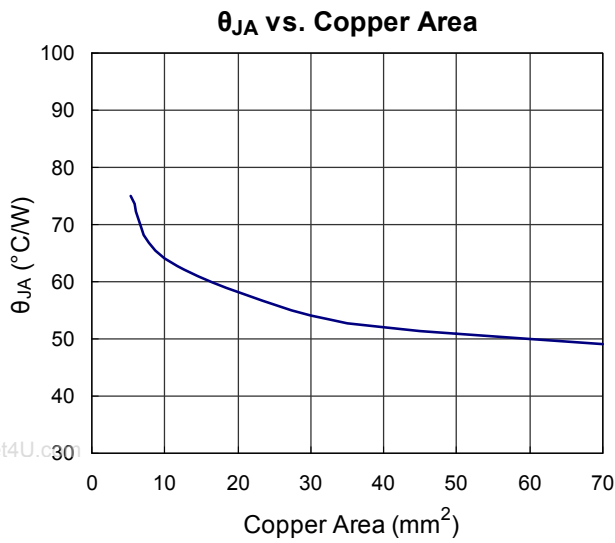


Figure 3

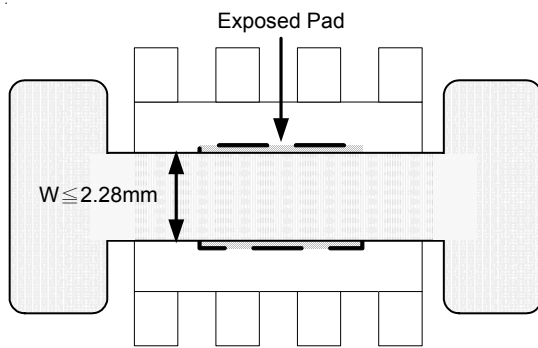


Figure 4. Dog-Bone layout

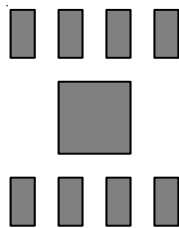


Figure 5 (a). Minimum Footprint,  $\theta_{JA} = 75^{\circ}\text{C/W}$

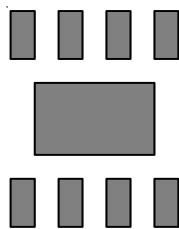


Figure 5 (b). Copper Area = 10mm<sup>2</sup>,  $\theta_{JA} = 64^{\circ}\text{C/W}$

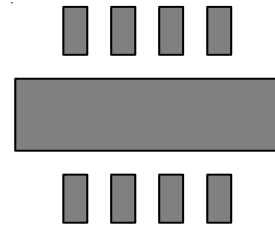


Figure 5 (c). Copper Area = 30mm<sup>2</sup>,  $\theta_{JA} = 54^{\circ}\text{C/W}$

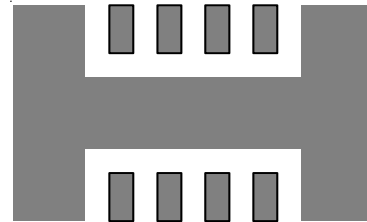


Figure 5 (d). Copper Area = 50mm<sup>2</sup>,  $\theta_{JA} = 51^{\circ}\text{C/W}$

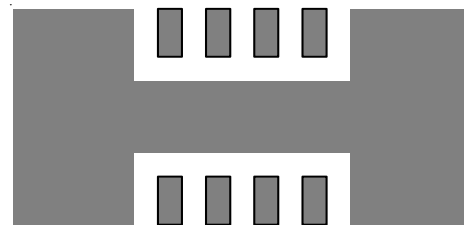
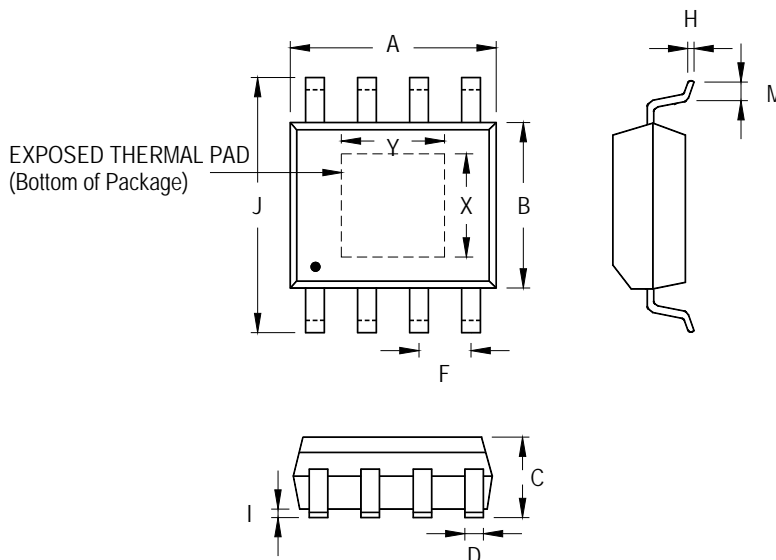


Figure 5 (e). Copper Area = 70mm<sup>2</sup>,  $\theta_{JA} = 49^{\circ}\text{C/W}$

Figure 5. Thermal Resistance vs. Different Copper Area Layout Design

Outline Dimension



| Symbol   | Dimensions In Millimeters |       | Dimensions In Inches |       |       |
|----------|---------------------------|-------|----------------------|-------|-------|
|          | Min                       | Max   | Min                  | Max   |       |
| A        | 4.801                     | 5.004 | 0.189                | 0.197 |       |
| B        | 3.810                     | 4.000 | 0.150                | 0.157 |       |
| C        | 1.346                     | 1.753 | 0.053                | 0.069 |       |
| D        | 0.330                     | 0.510 | 0.013                | 0.020 |       |
| F        | 1.194                     | 1.346 | 0.047                | 0.053 |       |
| H        | 0.170                     | 0.254 | 0.007                | 0.010 |       |
| I        | 0.000                     | 0.152 | 0.000                | 0.006 |       |
| J        | 5.791                     | 6.200 | 0.228                | 0.244 |       |
| M        | 0.406                     | 1.270 | 0.016                | 0.050 |       |
| Option 1 | X                         | 2.000 | 2.300                | 0.079 | 0.091 |
|          | Y                         | 2.000 | 2.300                | 0.079 | 0.091 |
| Option 2 | X                         | 2.100 | 2.500                | 0.083 | 0.098 |
|          | Y                         | 3.000 | 3.500                | 0.118 | 0.138 |

8-Lead SOP (Exposed Pad) Plastic Package

Richtek Technology Corporation

Headquarter  
 5F, No. 20, Taiyuen Street, Chupei City  
 Hsinchu, Taiwan, R.O.C.  
 Tel: (8863)5526789 Fax: (8863)5526611

Richtek Technology Corporation

Taipei Office (Marketing)  
 8F, No. 137, Lane 235, Paochiao Road, Hsintien City  
 Taipei County, Taiwan, R.O.C.  
 Tel: (8862)89191466 Fax: (8862)89191465  
 Email: marketing@richtek.com