

# White LED Driver (Charge Pump with Current Source)

## General Description

The RT9360 is a compact, high efficient and high integration charge pump with current matched white LED driver. It can support 1 to 4 White LED's and optimized for Li-Ion battery applications. The four WLEDs current are matched for consistent brightness. User can control WLED on/off via three programming bits. The every WLED channel can support up to 30mA current.

## Ordering Information

- RT9360A/B □ □
- Package Type  
QV : QFN-16L 4x4 (V-Type)
  - Operating Temperature Range  
P : Pb Free with Commercial Standard
  - A : 250kHz
  - B : 1MHz

Note :

RichTek Pb-free products are :

- RoHS compliant and compatible with the current requirements of IPC/JEDEC J-STD-020.
- Suitable for use in SnPb or Pb-free soldering processes.
- 100%matte tin (Sn) plating.

## Marking Information

For marking information, contact our sales representative directly or through a RichTek distributor located in your area, otherwise visit our website for detail.

## Typical Application Circuit

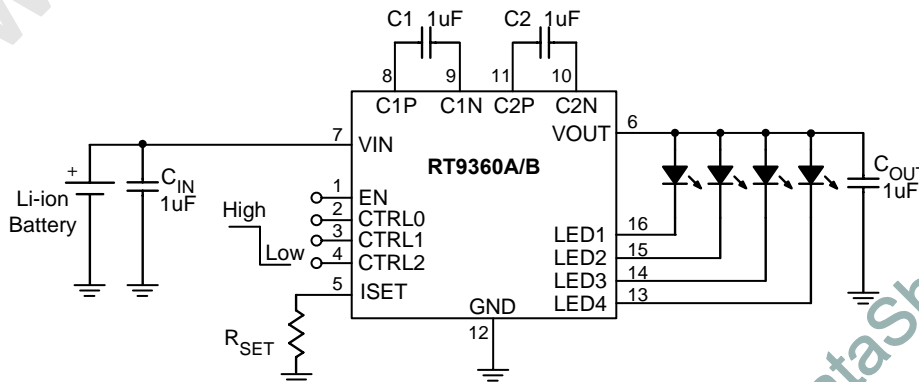


Figure 1. For 4-WLEDs Application Circuit

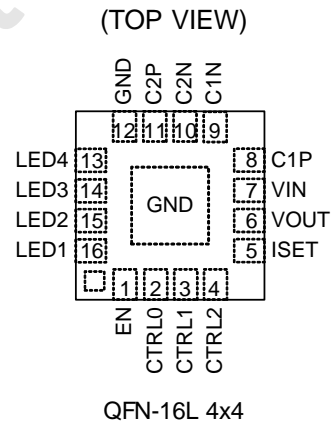
## Features

- Very High Efficiency Over 90% of Battery Life
- Support up to 4 WLEDs
- Soft Start Function
- Short Circuit Protection
- Three Charge Pump Mode: X1, X1.5, X2
- 250kHz/1MHz Fixed Frequency Oscillator
- RoHS Compliant and 100% Lead (Pb)-Free

## Applications

- Mobile phone
- White LED Backlighting
- Camera Flash LED lighting

## Pin Configurations



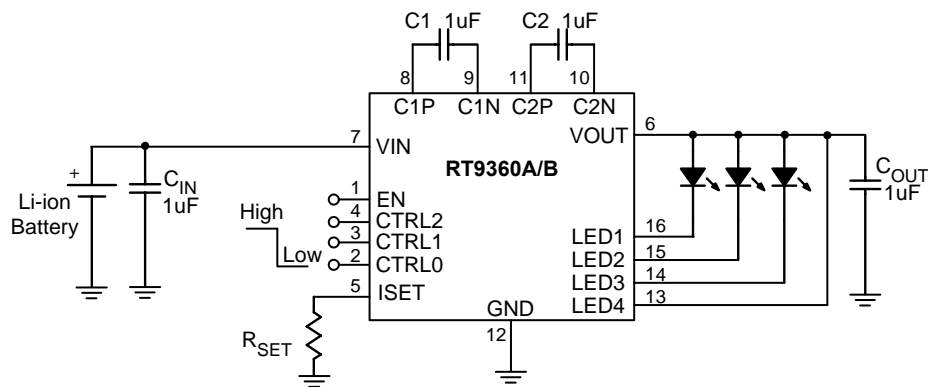


Figure 2. For 3-WLEDs Application Circuit

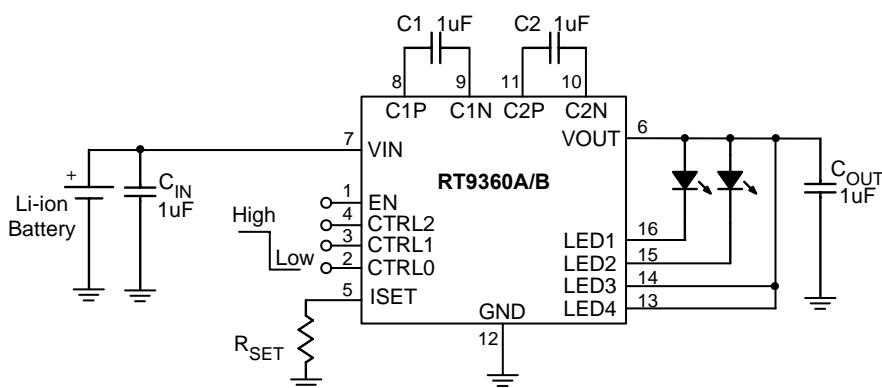


Figure 3. For 2-WLEDs Application Circuit

### Functional Pin Description

Pin Number	Pin Name	Pin Function
1	EN	Chip Enable (Active High). Note that this pin is high impedance. There should be a pull low 100kΩ resistor connected to GND when the control signal is floating.
2	CTRL0	Output Control Bit 0. (See Table 1)
3	CTRL1	Output Control Bit 1. (See Table 1)
4	CTRL2	Output Control Bit 2. (See Table 1)
5	ISET	LED current is set by the value of the resistor R <sub>SET</sub> connected from the ISET pin to ground. Do not short the ISET pin. V <sub>ISET</sub> is typically 1.1V.
6	VOUT	Output Voltage Source for connection to the LED anodes.
7	VIN	Power Input Voltage
8	C1P	Positive Terminal of Bucket Capacitor 1
9	C1N	Negative Terminal of Bucket Capacitor 1
10	C2N	Negative Terminal of Bucket Capacitor 2
11	C2P	Positive Terminal of Bucket Capacitor 2
12	GND	Ground.
13 to 16	LED1 to 4	Current Sink for LED. (If not in use, pin should be connected to V <sub>OUT</sub> )
Exposed Pad	GND	Exposed pad should be soldered to PCB board and connected to GND.

Function Block Diagram

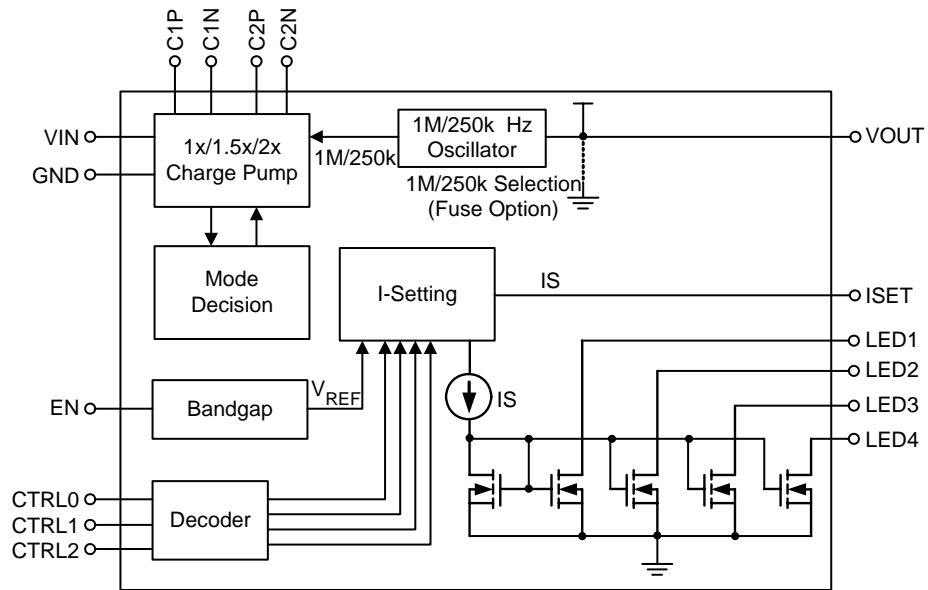


Table 1

Control Inputs			Output Status			
CTRL 2	CTRL 1	CTRL 0	LED 4	LED 3	LED 2	LED 1
0	0	0	OFF	OFF	OFF	ON
0	0	1	OFF	OFF	ON	OFF
0	1	0	OFF	ON	OFF	OFF
0	1	1	ON	OFF	OFF	OFF
1	0	0	OFF	OFF	ON	ON
1	0	1	OFF	ON	ON	ON
1	1	0	ON	ON	ON	ON
1	1	1	OFF	OFF	OFF	OFF

## Operation

The RT9360 is a high efficiency charge pump white LED driver. It provides 4 channels low drop-out voltage current source to regulated 4 white LEDs current. For high efficiency, the RT9360 implements x1/x1.5/x2 mode charge pump. An external  $R_{SET}$  is used to set the current of white LED. RT9360 has a input current regulation to reduce the input ripple.

### Soft Start

The RT9360 includes a soft start circuit to limit the inrush current at power on and mode switching. Soft start circuit holds the input current level long enough for output capacitor  $C_{OUT}$  reaching a desired voltage level. When the soft start off, the RT9360 won't sink spike current from  $V_{IN}$ .

### Mode Decision

The RT9360 uses a smart mode decision method to select the working mode for maximum efficiency. Mode decision circuit senses the output and LED voltage for up/down selection.

### Dimming Control

CTRL0, CTRL1 and CTRL2 are used to control the on-off of White LED. When a external PWM signal is connected to the control pin, brightness of white LED is adjusted by the duty cycle.

### LED Current Setting

The current of white LED connected to RT9360 can be set by  $R_{SET}$ . Every current flows through the white LED is 440 times greater than the current of  $R_{SET}$ . The white LED can be estimated by following equation:

$$I_{LED} = 440 \times \left( \frac{V_{ISET}}{R_{SET}} \right)$$

where  $V_{ISET} = 1.1V$ , and  $R_{SET}$  is the resistance connected from ISET to GND.

### Thermal Shutdown

The RT9360 provides a high current capability to drive 4 white LEDs. A thermal shutdown circuit is needed to protect the chip from thermal damage. When the chip reaches the shutdown temperature  $150^{\circ}C$ , the thermal shutdown circuit turns off the chip to prevent the thermal accumulation in the chip.

### Overvoltage Protection

The RT9360 regulates the output voltage by controlling the input current. When the output voltage reaches the designated level, the RT9360 reduces the input current. And then, the output voltage regulation also serves an overvoltage protection.

### Short Circuit Protection

A current limiting circuit is also included in the RT9360 for short circuit protection. Whenever output source a dangerously high current, the current limiting circuit takes over the output regulation circuit and reduces the output current at an acceptable level.

**Absolute Maximum Ratings** (Note 1)

- Input Voltage ----- -0.3 to 6V
- Output Voltage ----- -0.3 to 6V
- Power Dissipation, P<sub>D</sub> @ T<sub>A</sub> = 25°C  
 QFN-16L 4X4 ----- 2.5W
- Package Thermal Resistance (Note 4)  
 QFN-16L 4x4, θ<sub>JA</sub> ----- 40°C/W
- Junction Temperature ----- 150°C
- Lead Temperature (Soldering, 10 sec.) ----- 260°C
- Junction Temperature Range ----- -40°C to 125°C
- Storage Temperature Range ----- -65°C to 150°C
- ESD Susceptibility (Note 2)  
 HBM (Human Body Mode) ----- 2kV  
 MM (Machine Mode) ----- 200V

**Recommended Operating Conditions** (Note 3)

- Ambient Temperature Range ----- -40°C to 85°C

**Electrical Characteristics**

(V<sub>IN</sub> = 2.85V to 5.5V, C1 = C2 = 1.0μF (ESR = 0.03Ω), T<sub>A</sub> = 25°C, unless otherwise specified)

Parameter	Symbol	Test Conditions	Min	Typ	Max	Units
Input Supply Voltage	V <sub>IN</sub>		2.5		5.5	V
Undervoltage Lockout Threshold		V <sub>IN</sub> rising	1.8	2.2	2.4	V
Undervoltage Lockout Hysteresis			--	50	--	mV
Current into LEDs 1, 2, 3 and 4	I <sub>LED</sub>	R <sub>SET</sub> = 24kΩ	18.5	20	21.5	mA
		R <sub>SET</sub> = 91kΩ	4.5	5	5.5	mA
		2.7V < V <sub>IN</sub> < 5.5V	2	--	20	mA
		3.1V < V <sub>IN</sub> < 5.5V	2	--	30	mA
Quiescent Current	RT9360A	F <sub>OSC</sub> =250KHz, EN = High, No Load	--	1.5	2.0	mA
	RT9360B	F <sub>OSC</sub> =1MHz, EN = High, No Load	--	3	4	mA
	RT9360A/B	V <sub>IN</sub> = 4.2V, EN = Low	--	1	10	uA
I <sub>LED</sub> Accuracy (Note 5)	I <sub>LED-ERR</sub>	2mA < I <sub>LED</sub> < 30mA	--	2	7.5	%
Current Matching (Note 6)	I <sub>LED-LED-ERR</sub>	2mA < I <sub>LED</sub> < 30mA	--	1	5	%
1x mode to 1.5x mode Transition Voltage (V <sub>IN</sub> falling)	V <sub>TRANS1X</sub>	V <sub>LED</sub> = 3.5V, I <sub>OUT</sub> = 80mA I <sub>LED1</sub> = I <sub>LED2</sub> = I <sub>LED3</sub> = I <sub>LED4</sub> = 20mA	--	3.75	3.85	V
1.5x mode to 2x mode Transition Voltage (V <sub>IN</sub> falling)	V <sub>TRANS1.5X</sub>	V <sub>LED</sub> = 3.5V, I <sub>OUT</sub> = 80mA I <sub>LED1</sub> = I <sub>LED2</sub> = I <sub>LED3</sub> = I <sub>LED4</sub> = 20mA	--	2.85	2.95	V
Oscillator Frequency	F <sub>OSC</sub>	RT9360A	200	250	300	kHz
		RT9360B	0.8	1.0	1.2	MHz
Input Current Limit	I <sub>LIMIT</sub>	Short Circuit applied from V <sub>OUT</sub> to GND	250	400	650	mA
Output Over Voltage Protection	V <sub>OV</sub> P	Open circuit at any LED that is programmed to be in the on state	--	5.5	6	V

*To be continued*

Parameter	Symbol	Test Conditions	Min	Typ	Max	Units
Input High Threshold	$V_{IH}$	Input high logic threshold (EN, CTRL0, CTRL1, CTRL2)	1.5	--	--	V
Input Low Threshold	$V_{IL}$	Input low logic threshold (EN, CTRL0, CTRL1, CTRL2)	--	--	0.4	V
Input High Current	$I_{IH}$	$V_{IH} = V_{IN}$	--	--	1	$\mu A$
Input Low Current	$I_{IL}$	$V_{IL} = GND$	--	--	1	$\mu A$
Thermal Shutdown Threshold			140	150	180	$^{\circ}C$
Thermal Shutdown Hysteresis			--	10	--	$^{\circ}C$

**Note 1.** Stresses listed as the above "Absolute Maximum Ratings" may cause permanent damage to the device. These are for stress ratings. Functional operation of the device at these or any other conditions beyond those indicated in the operational sections of the specifications is not implied. Exposure to absolute maximum rating conditions for extended periods may remain possibility to affect device reliability.

**Note 2.** Devices are ESD sensitive. Handling precaution recommended.

**Note 3.** The device is not guaranteed to function outside its operating conditions.

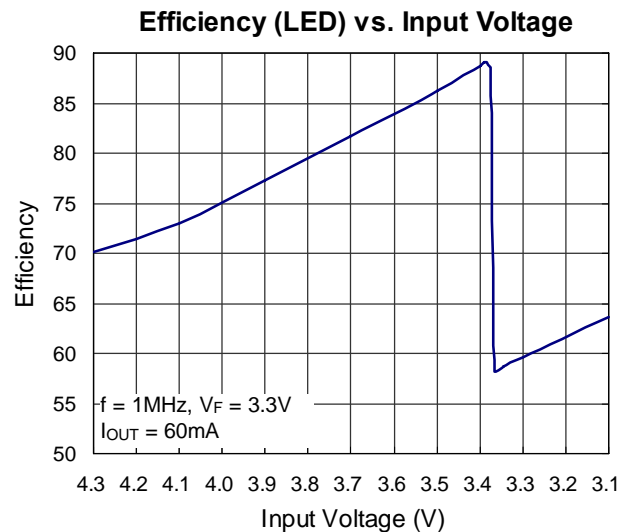
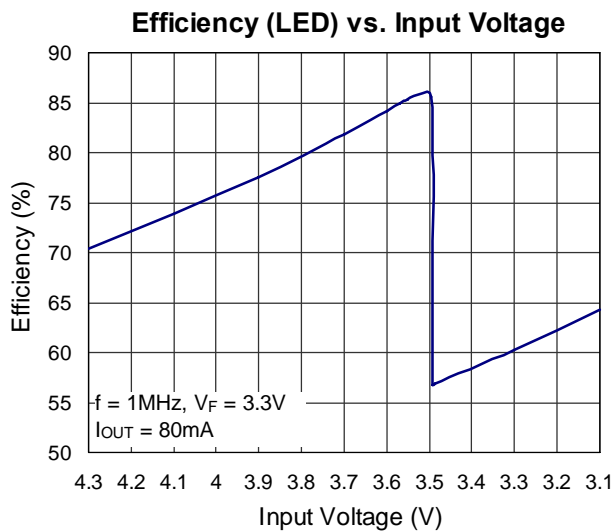
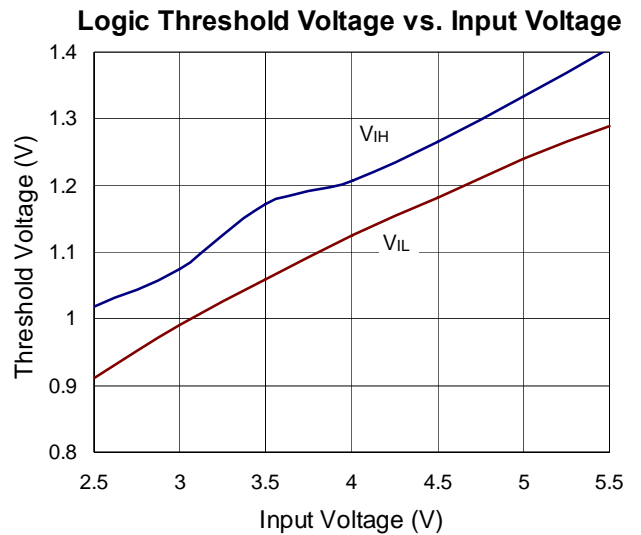
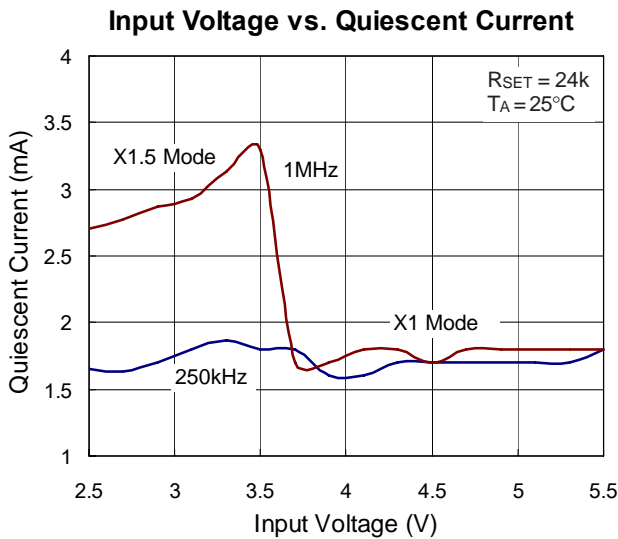
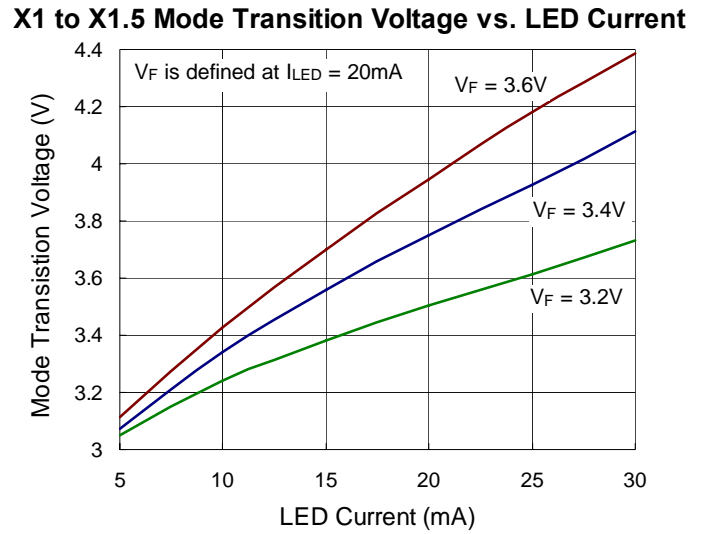
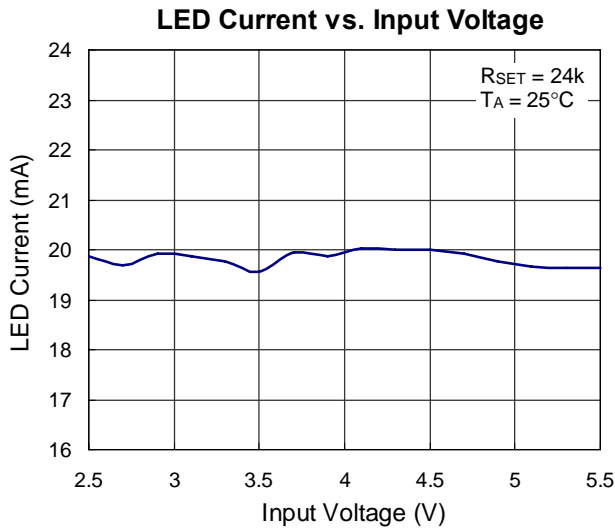
**Note 4.**  $\theta_{JA}$  is measured in the natural convection at  $T_A = 25^{\circ}C$  on a low effective thermal conductivity test board of JEDEC 51-3 thermal measurement standard.

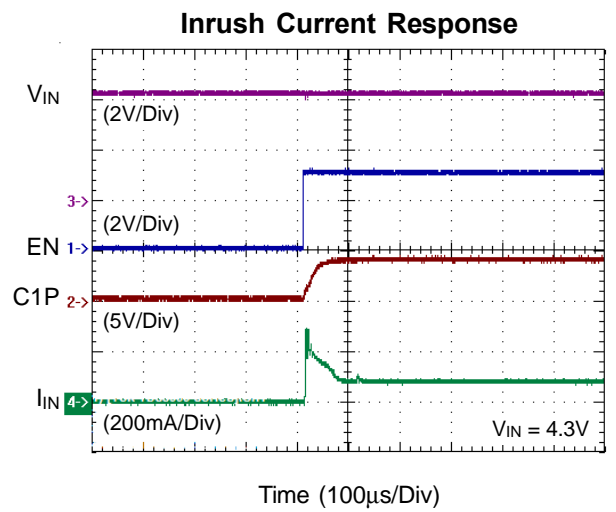
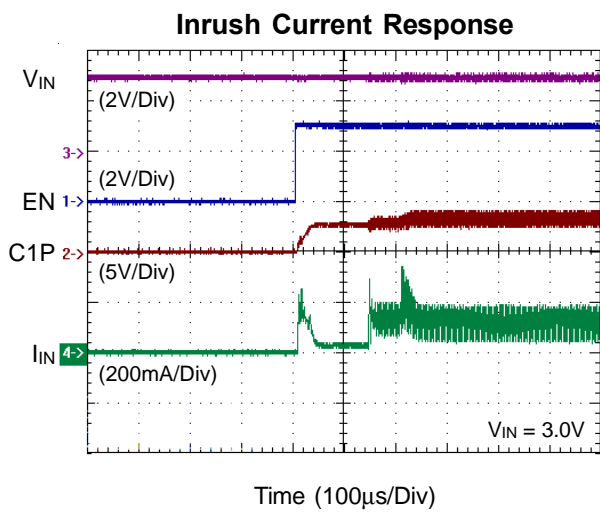
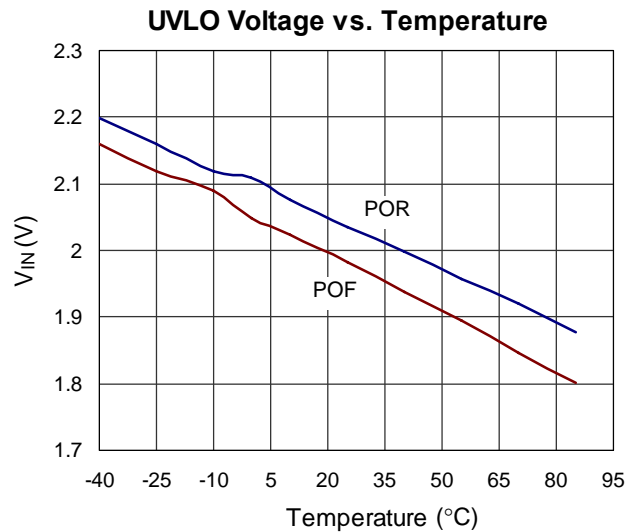
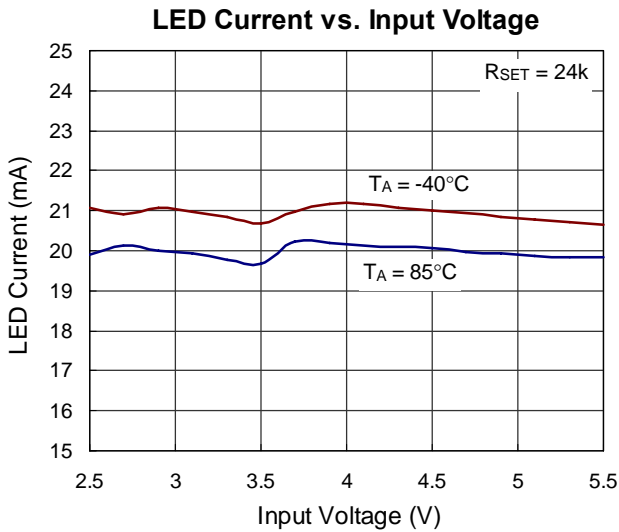
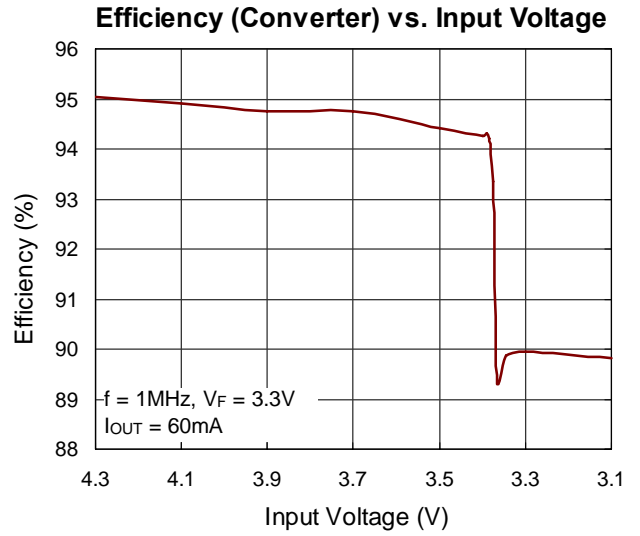
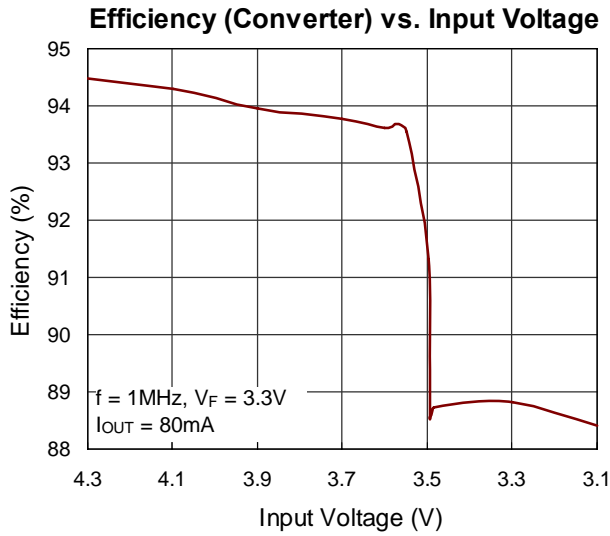
**Note 5.** 
$$I_{LED(ERR)} = \left| \frac{I_{LED(MEA)} - I_{LED(SET)}}{I_{LED(SET)}} \right| \times 100\%$$

**Note 6.** Current Matching refers to the difference in current from on LED to the next.

$$I_{LED} \text{ Current Matching} = \left| \frac{I_{LED(MAX)} - I_{LED(MIN)}}{I_{LED(MAX)} + I_{LED(MIN)}} \right| \times 100\%$$

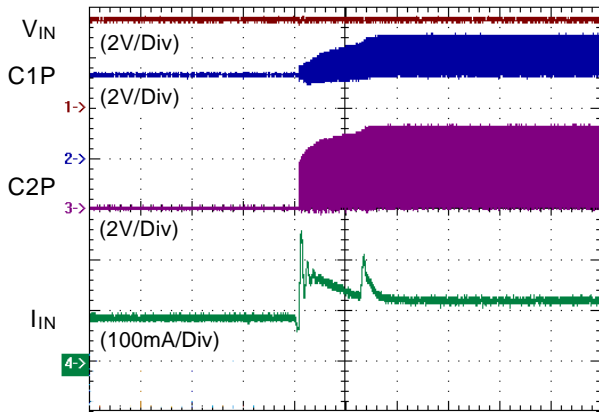
**Typical Operating Characteristics**





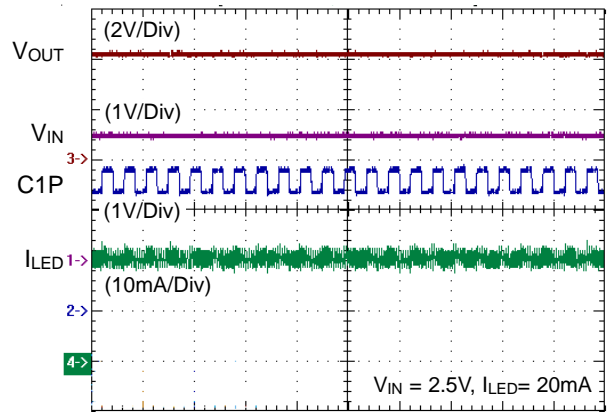


Mode Change Inrush Current (X1 to X1.5)



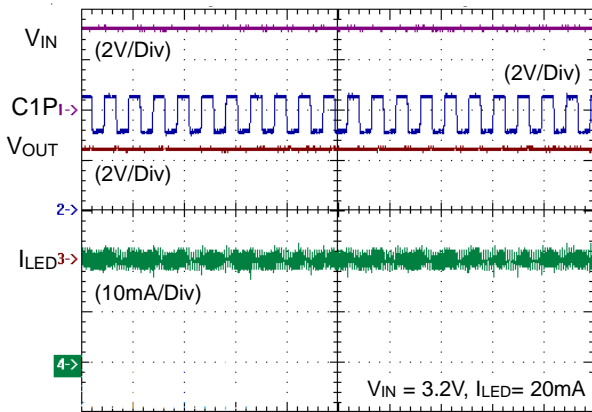
Time (40µs/Div)

Normal Operation



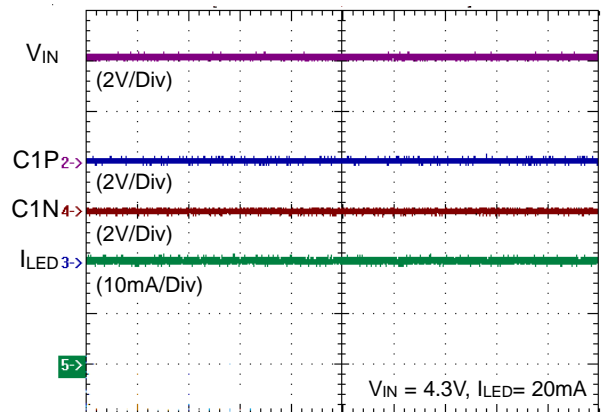
Time (2µs/Div)

Normal Operation



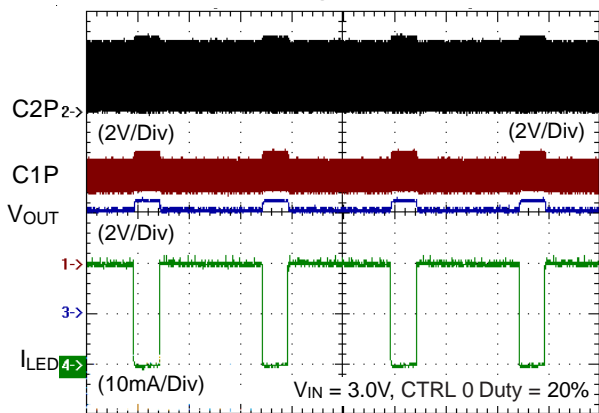
Time (2µs/Div)

Normal Operation



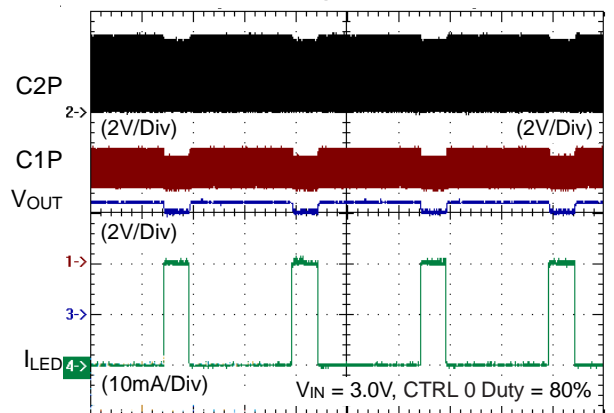
Time (2µs/Div)

Dimming Operation

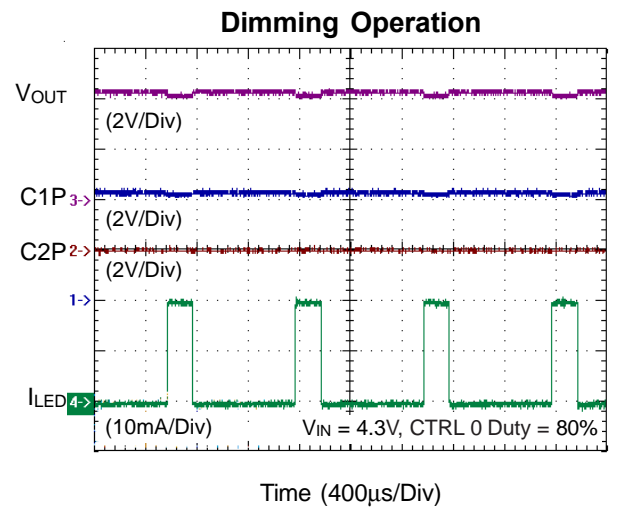
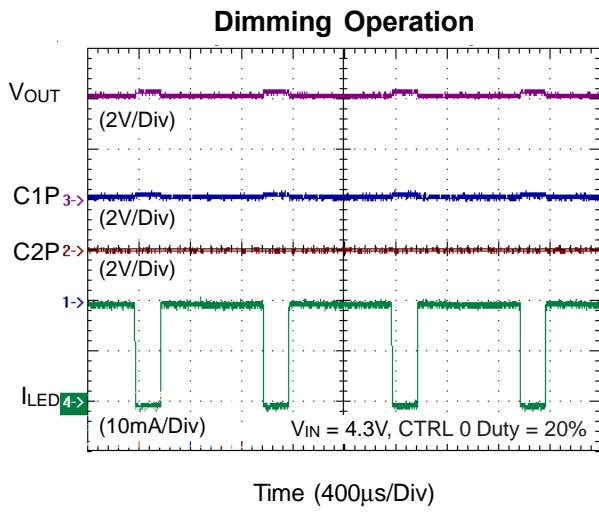


Time (400µs/Div)

Dimming Operation



Time (400µs/Div)



## Applications Information

### Selecting Capacitors

To get the better performance of RT9360, the selecting of peripherally appropriate capacitor and value is very important. These capacitors determine some parameters such as input and output ripple, power efficiency, maximum supply current by charge pump, and start-up time. To reduce the input and output ripple effectively, the low ESR ceramic capacitors are recommended.

Generally, to reduce the output ripple, increasing the output capacitance  $C_{OUT}$  is necessary. However, this will increase the start-up time of output voltage.

For LED driver applications, the input voltage ripple is more important than output ripple. Input ripple is controlled by input capacitor  $C_{IN}$ , increasing the value of input capacitance can further reduce the ripple. Practically, the input voltage ripple depends on the power supply's impedance. If a single input capacitor  $C_{IN}$  cannot satisfy the requirement of application, it is necessary to add a low-pass filter. Figure 1 shows a C-R-C filter used on RT9360A. The input ripple can be reduced less than 30mVp-p when driving 80mA output current.

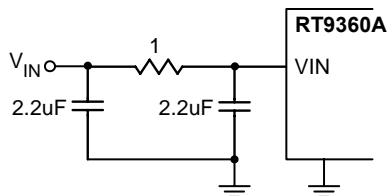


Figure 1. C-R-C filter used to reduce input ripple

The flying capacitor  $C_1$  and  $C_2$  determine the supply current capability of the charge pump and to influence the overall efficiency of system. The lower value will improve efficiency, but it will limit the LED's current at low input voltage. For 4 X 20mA load over the entire input range of 2.7 to 5.5V, a capacitor of 1μF is optimal.

### Setting the LED Current

The RT9360 can be set a fixed LEDs current by a resistor  $R_{SET}$  connected from  $I_{SET}$  to GND.  $R_{SET}$  establishes the reference current and mirrors the current into LED1, LED2, LED3, and LED4. The current into LED is about 440 times of the current flows through the  $R_{SET}$ , the approximate setting formula is given as follows:

$$I_{LED} = \frac{484(V)}{R_{SET}(\Omega)} \quad (1)$$

Figure 2 shows the typical value of  $R_{SET}$  versus average LED current and Table 1 shows the values of  $R_{SET}$  for a fixed LED current.

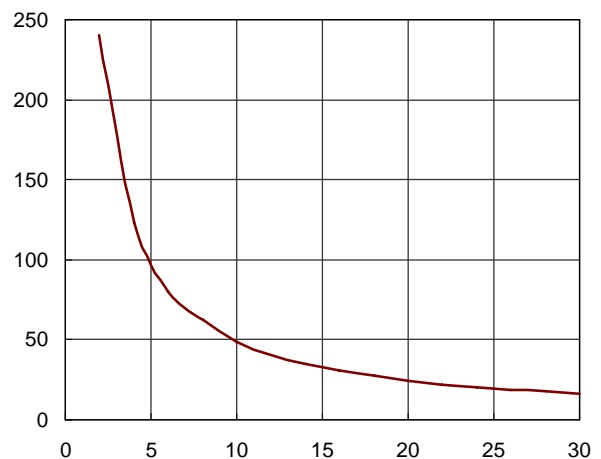


Figure 2. The typical curve of  $R_{SET}$  vs. LED's average current.

Table 1.  $R_{SET}$  Value Selection

$I_{LED}$ (mA)	$R_{SET}$ (kΩ)	Nearest Standard Values for $R_{SET}$ (kΩ)
5	91.0	91.0
10	47.9	47.5
15	32.7	32.4
20	24.0	24.0
25	19.6	19.6
30	16.4	16.5

If maximum accuracy is required, a precision resistor is needed. Equation (2) shows how to calculate the error  $I_{LED(ERR)}$ .

$$I_{LED(ERR)} = \left| \frac{I_{LED(MEA)} - I_{LED(SET)}}{I_{LED(SET)}} \right| \times 100\% \quad (2)$$

Where  $I_{LED(MEA)}$  is practical LED current

$I_{LED(SET)}$  is LED current which is determined by the  $R_{SET}$ .

### • LED current setting with NMOS

LED current setting control can also be achieved by used the external NMOS to change equivalent resistor of ISET pin. Figure 3 shows this application circuit of method. For this example, a 3 bit signals can set 8 kinds of different equivalent resistor of ISET pin, i.e. produce 8 kinds of LED current level. Table 2 shows the relation between equivalent resistor of ISET pin and control signal.

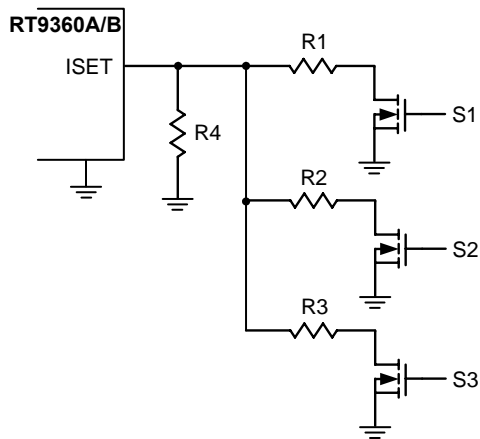


Figure 3. The application circuit of setting LED current which using a NMOS to set  $R_{SET}$ .

Table 2. The relation between control signal and equivalent resistor of ISET pin

S1	S2	S3	Equivalent Resistor of ISET pin ( $R_{SET}$ )
0	0	0	$R_{SET} = R_4$
0	0	1	$R_{SET} = R_3 // R_4$
0	1	0	$R_{SET} = R_2 // R_4$
0	1	1	$R_{SET} = R_2 // R_3 // R_4$
1	0	0	$R_{SET} = R_1 // R_4$
1	0	1	$R_{SET} = R_1 // R_3 // R_4$
1	1	0	$R_{SET} = R_1 // R_2 // R_4$
1	1	1	$R_{SET} = R_1 // R_2 // R_3 // R_4$

### LED Dimming Control Methods

The RT9360 can use two methods to achieve the LED dimming control. These methods are detailed described as following:

#### (1). Dimming using PWM signal into CTRL0, CTRL1, and CTRL2

LED current can be controlled by applying a PWM signal to CTRL0, CTRL1, or CTRL2. Table3 shows the relation between CTRLx and 4 LED's current states. For an example, as the CTRL1 and CTRL2 are pulled logical high and CTRL0 receives a PWM signal, then, four LEDs will be dimmed synchronously. Here, the PWM signal setting the LED's current ON/OFF can achieve the average LED's current which in design. The application circuit is shown in Figure 4. Figure 5, and Figure 6 show 3WLEDs and 2WLEDs PWM dimming application circuit, respectively. During the time of PWM signal logical low, the current is a fixed value and setting by  $R_{SET}$  resistor. So the average LEDs current can be approximated as Equation (3).

$$I_{LED(AVG)} = \frac{T_{OFF} \times I_{LED(ON)}}{T_{PWM}} \quad (3)$$

Where:

$T_{PWM}$  is the period of PWM dimming signal

$T_{OFF}$  is the time of PWM signal at low.

$I_{LED(ON)}$  is LED on state current.

Table 3. The relation between CTRLx and 4 LED's's current states

Control Inputs			Output Status			
CTRL0	CTRL1	CTRL2	LED1	LED2	LED3	LED4
0	0	0	ON	OFF	OFF	OFF
1	0	0	OFF	ON	OFF	OFF
0	1	0	OFF	OFF	ON	OFF
1	1	0	OFF	OFF	OFF	ON
0	0	1	ON	ON	OFF	OFF
1	0	1	ON	ON	ON	OFF
0	1	1	ON	ON	ON	ON
1	1	1	OFF	OFF	OFF	OFF

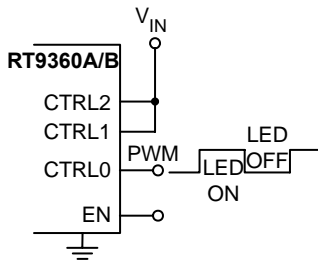


Figure 4. The PWM dimming application circuit for 4WLEDs

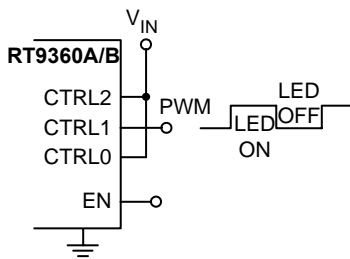


Figure 5. The PWM dimming application circuit for 3WLEDs

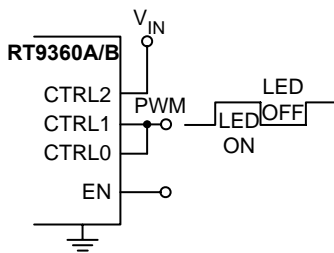


Figure 6. The PWM dimming application circuit for 2WLEDs

Besides, RT9360 has 100us delay time between mode transfer. This delay time makes different dimming frequency corresponds to different maximum duty of CTRLX pin. When the duty cycle of dimming frequency excess maximum duty, the RT9360s can't transfer the mode normally. Equation (4) shows the relation between maximum duty of CTRLX pin and PWM dimming frequency. Table 4 is shown the common dimming frequency and its corresponding maximum duty. For better performance consideration, the maximum PWM dimming frequency is recommended below 1kHz.

$$D_{MAX} = (1 - 100 \times 10^{-6} \times F_D) \tag{4}$$

Where :  $D_{MAX}$  is Maximum Duty of CTRLX

$F_D$  is PWM Dimming Frequency

Table 4. The common dimming frequency and its corresponding maximum duty.

Dimming Frequency (Hz)	CTRLX Maximum Duty	ILED Minimum Duty
1K	0.90	0.10
900	0.91	0.09
800	0.92	0.08
700	0.93	0.07
600	0.94	0.06
500	0.95	0.05
400	0.96	0.04
300	0.97	0.03
200	0.98	0.02

**(2). The PWM dimming by GPIO**

The PWM dimming by GPIO is shown as Figure 7. DZ shall be a Schottky diode with forward voltage less than 0.3V at  $I_F = 1mA$ . C3 is a capacitor to keep the enable pin voltage is higher than the threshold voltage. R1 is discharge resistor and it should be not too high to prevent the off time too long while turned-off. The recommended conditions are shown as following.

1. The recommended value for R1 and C3 are 200kΩ (±5%) and 0.22uF (X7R, ±10%).
2. The forward voltage of the Schottky diode shall be less than 0.3V at 1mA.
3. The output voltage of GPIO should be greater than 2.8V and keep the voltage on EN pin is higher than 1.5V.
4. The PWM frequency should be in the range of 500Hz~1.5kHz or 20kHz~30kHz for audio noise consideration.
5. The PWM duty cycle shall be in the range of 30% to 95%.
6. The driving capability of the GPIO should be greater than 2mA @ 2.8V.
7. The LED current can be obtained by the equation,

$$I_{LED} = 440 \times \frac{V_{ISET}}{R_{SET}} \times (1 - D_{PWM})$$

(The typical value of  $V_{ISET}$  is 1.1V)

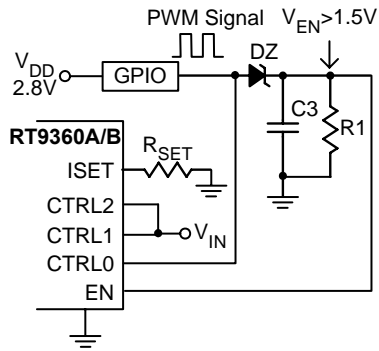


Figure 7. The GPIO PWM dimming application circuit

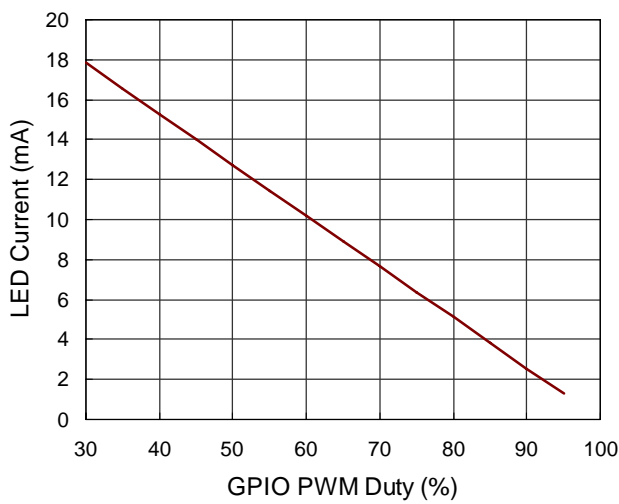
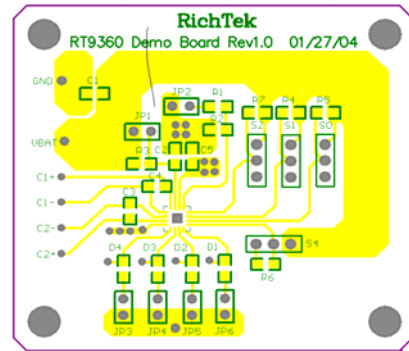


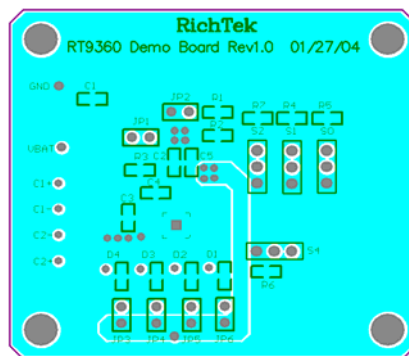
Figure 8. GPIO PWM dimming duty v.s.  $I_{LED}$  current ( $R_{SET} = 19k\Omega$ )

## PCB Board Layout

The RT9360 is a high-frequency switched-capacitor converter. For best performance, place all of the components as close to IC as possible. Besides a solid ground plane is recommended on the bottom layer of the PCB. The ground should be connected  $C_{IN}$  and  $C_{OUT}$  together and as close to the IC as possible. Figure 9 shows the typical layout of RT9360's EVB board.



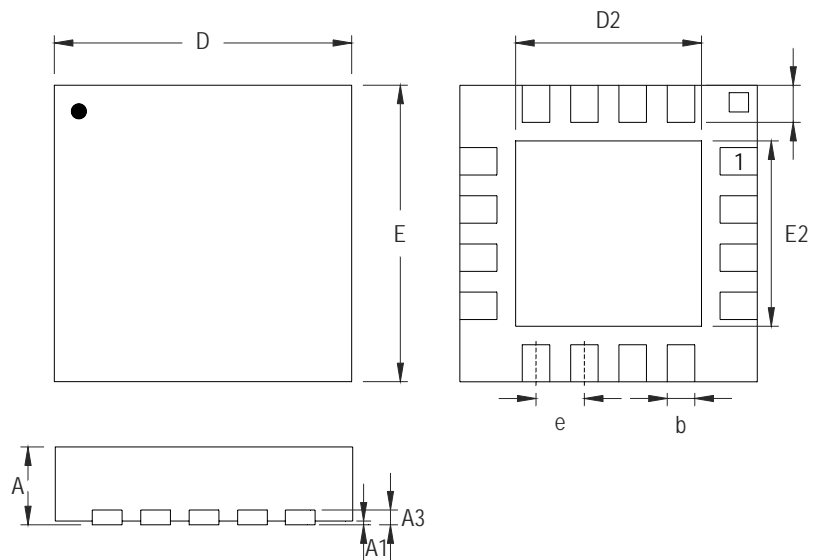
Top Layer



Bottom Layer

Figure 9. The typical layout of RT9360's EVB board

**Outline Dimension**



Symbol	Dimensions In Millimeters		Dimensions In Inches	
	Min	Max	Min	Max
A	0.800	1.000	0.031	0.039
A1	0.000	0.050	0.000	0.002
A3	0.175	0.228	0.007	0.009
b	0.250	0.350	0.010	0.014
D	3.950	4.050	0.156	0.159
D2	2.150	2.350	0.085	0.093
E	3.950	4.050	0.156	0.159
E2	2.150	2.350	0.085	0.093
e	0.650		0.026	
L	0.500	0.600	0.020	0.024

**V-Type 16L QFN 4x4 Package**

**RICHTEK TECHNOLOGY CORP.**

Headquarter

5F, No. 20, Taiyuen Street, Chupei City

Hsinchu, Taiwan, R.O.C.

Tel: (8863)5526789 Fax: (8863)5526611

**RICHTEK TECHNOLOGY CORP.**

Taipei Office (Marketing)

8F-1, No. 137, Lane 235, Paochiao Road, Hsintien City

Taipei County, Taiwan, R.O.C.

Tel: (8862)89191466 Fax: (8862)89191465

Email: marketing@richtek.com