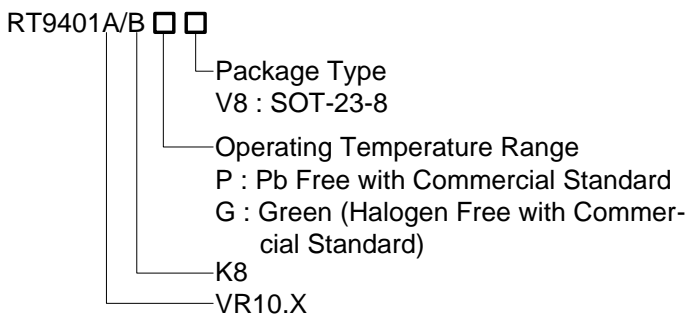


## 5Bit VID Reference Generator

### General Description

The RT9401A/B are digital to analog converters which generate a reference voltage for Intel VR10.x/AMD K8 5-bit VID code respectively. The parts are proposed to pair with a series of RichTek's general purpose PWM controllers dedicated for the desktop microprocessor core power voltage regulation. The reference voltage is within 1% high accuracy. These parts use a small footprint package of SOT-23-8.

### Ordering Information



Note :

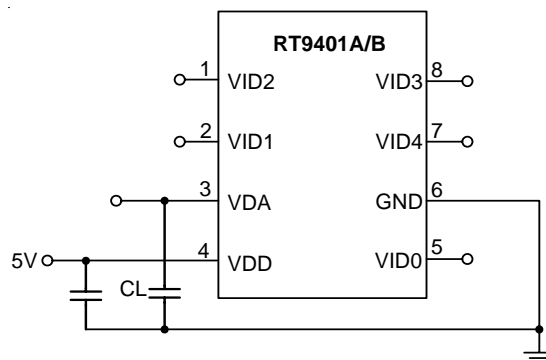
Richtek Pb-free and Green products are :

- ▶ RoHS compliant and compatible with the current requirements of IPC/JEDEC J-STD-020.
- ▶ Suitable for use in SnPb or Pb-free soldering processes.

### Marking Information

For marking information, contact our sales representative directly or through a Richtek distributor located in your area, otherwise visit our website for detail.

### Typical Application Circuit



### Features

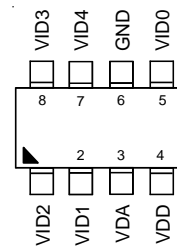
- RT9401A Support 5bit DAC Voltage Conforming to Intel VRD10.x VID Table
- RT9401B Support 5bit DAC Voltage Conforming to AMD K8 VID Table
- 1% High Accuracy of  $V_{REF}$
- Small Footprint Package of SOT-23-8
- RoHS Compliant and 100% Lead (Pb)-Free

### Applications

- Desktop/Motherboard Microprocessor Core Power Regulation
- High Accuracy and Programmable Voltage Power Regulation

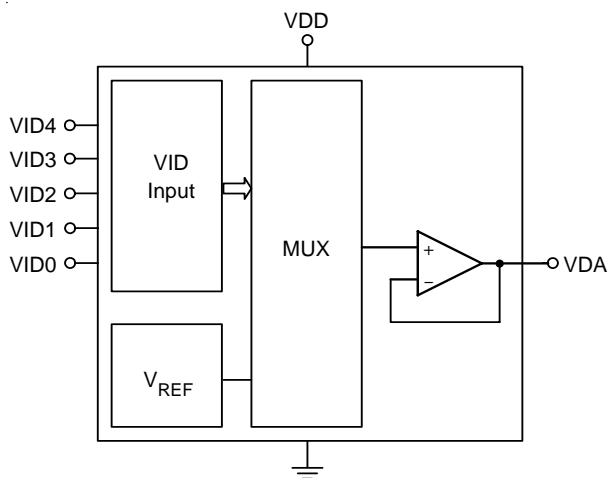
### Pin Configurations

(TOP VIEW)



SOT-23-8

## Function Block Diagram



## Functional Pin Description

Pin Number	Pin Name	Pin Function
1	VID2	DAC Voltage Identification Inputs.
2	VID1	DAC Voltage Identification Inputs.
3	VDA	Digital - to - Analog Voltage Output.
4	VDD	Power Input Pin.
5	VID0	DAC Voltage Identification Inputs.
6	GND	Ground.
7	VID4	DAC Voltage Identification Inputs.
8	VID3	DAC Voltage Identification Inputs.

**Absolute Maximum Ratings** (Note 1)

- Supply Input Voltage,  $V_{DD}$  ----- 7V
- Power Dissipation,  $P_D$  @  $T_A = 25^\circ\text{C}$   
   SOT-23-8 ----- 0.4W
- Package Thermal Resistance (Note 4)  
   SOT-23-8,  $\theta_{JA}$  -----  $250^\circ\text{C/W}$
- Lead Temperature (Soldering, 10 sec.) -----  $260^\circ\text{C}$
- Storage Temperature Range -----  $-65^\circ\text{C}$  to  $150^\circ\text{C}$
- ESD Susceptibility (Note 2)  
   HBM (Human Body Mode) ----- 2kV  
   MM (Machine Mode) ----- 200V

**Recommended Operating Conditions** (Note 3)

- Supply Input Voltage,  $V_{DD}$  -----  $5V \pm 10\%$
- Junction Temperature Range -----  $-40^\circ\text{C}$  to  $125^\circ\text{C}$
- Ambient Temperature Range -----  $-40^\circ\text{C}$  to  $85^\circ\text{C}$

**Electrical Characteristics**

( $V_{DD} = 5V$ ,  $T_A = 25^\circ\text{C}$ , unless otherwise specified)

Parameter	Symbol	Test Conditions	Min	Typ	Max	Units
<b><math>V_{DD}</math> Supply Current</b>						
Nominal Supply Current	$I_{DD}$	VDA open	--	2	5	mA
<b>Reference &amp; DAC</b>						
Output Voltage Program	See Table 1 & Table 2					
DAC Output Voltage Accuracy		$VDA \geq 1V$	-1	--	+1	%
		$VDA < 1V$	-10	--	+10	mV
VID(4:0) Input Low			--	--	0.4	V
VID(4:0) Input High			1.05	--	--	V
VID[4:0] Internal Pull-High Current Source Capability			18	--	--	$\mu\text{A}$
VID[4:0] Internal Pull-High Voltage		When select AMD CPU	2.2	2.4	2.5	V
		When select Intel CPU	1	1.1	1.2	V
<b>Output Buffer</b>						
DC Gain		Capacitor Load Only	--	70	--	dB
Bandwidth	GBW	$CL=1\text{nF}$	--	1.64	--	MHz
Slew Rate	SR	$CL=0.1\mu\text{F}$	--	9.5	--	$\text{mV}/\mu\text{s}$
Impedance	$R_{OUT}$		60	--	110	$\Omega$

**Note 1.** Stresses listed as the above "Absolute Maximum Ratings" may cause permanent damage to the device. These are for stress ratings. Functional operation of the device at these or any other conditions beyond those indicated in the operational sections of the specifications is not implied. Exposure to absolute maximum rating conditions for extended periods may remain possibility to affect device reliability.

**Note 2.** Devices are ESD sensitive. Handling precaution is recommended.

**Note 3.** The device is not guaranteed to function outside its operating conditions.

**Note 4.**  $\theta_{JA}$  is measured in the natural convection at  $T_A = 25^\circ\text{C}$  on a low effective thermal conductivity test board of JEDEC 51-3 thermal measurement standard.

**Table 1. Output Voltage Program (VR 10)**

Pin Name					Nominal Output Voltage VDA
VID4	VID3	VID2	VID1	VID0	
1	1	1	1	1	OFF
0	1	0	0	1	0.850V
0	1	0	0	0	0.875V
0	0	1	1	1	0.900V
0	0	1	1	0	0.925V
0	0	1	0	1	0.950V
0	0	1	0	0	0.975V
0	0	0	1	1	1.000V
0	0	0	1	0	1.025V
0	0	0	0	1	1.050V
0	0	0	0	0	1.075V
1	1	1	1	0	1.100V
1	1	1	0	1	1.125V
1	1	1	0	0	1.150V
1	1	0	1	1	1.175V
1	1	0	1	0	1.200V
1	1	0	0	1	1.225V
1	1	0	0	0	1.250V
1	0	1	1	1	1.275V
1	0	1	1	0	1.300V
1	0	1	0	1	1.325V
1	0	1	0	0	1.350V
1	0	0	1	1	1.375V
1	0	0	1	0	1.400V
1	0	0	0	1	1.425V
1	0	0	0	0	1.450V
0	1	1	1	1	1.475V
0	1	1	1	0	1.500V
0	1	1	0	1	1.525V
0	1	1	0	0	1.550V
0	1	0	1	1	1.575V
0	1	0	1	0	1.600V

Note: (1) 0 : Connected to GND  
 (2) 1 : Open

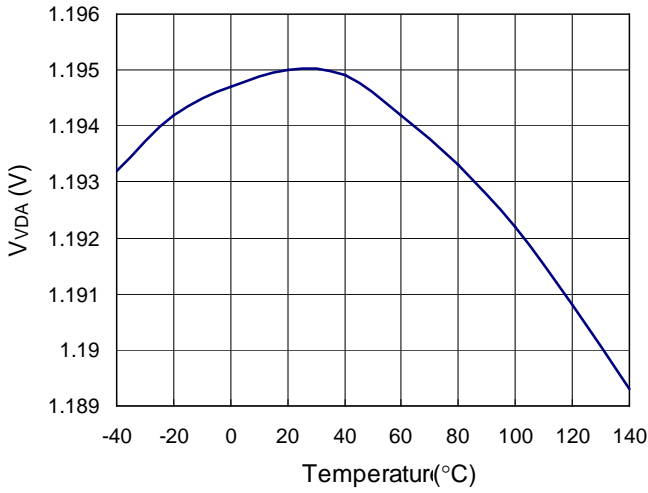
Table 2. Output Voltage Program (K8)

VID4	VID3	VID2	VID1	VID0	Nominal Output Voltage VDA
0	0	0	0	0	1.550
0	0	0	0	1	1.525
0	0	0	1	0	1.500
0	0	0	1	1	1.475
0	0	1	0	0	1.450
0	0	1	0	1	1.425
0	0	1	1	0	1.400
0	0	1	1	1	1.375
0	1	0	0	0	1.350
0	1	0	0	1	1.325
0	1	0	1	0	1.200
0	1	0	1	1	1.275
0	1	1	0	0	1.250
0	1	1	0	1	1.225
0	1	1	1	0	1.200
0	1	1	1	1	1.175
1	0	0	0	0	1.150
1	0	0	0	1	1.125
1	0	0	1	0	1.100
1	0	0	1	1	1.075
1	0	1	0	0	1.050
1	0	1	0	1	1.025
1	0	1	1	0	1.000
1	0	1	1	1	0.975
1	1	0	0	0	0.950
1	1	0	0	1	0.925
1	1	0	1	0	0.900
1	1	0	1	1	0.875
1	1	1	0	0	0.850
1	1	1	0	1	0.825
1	1	1	1	0	0.800
1	1	1	1	1	Shutdown

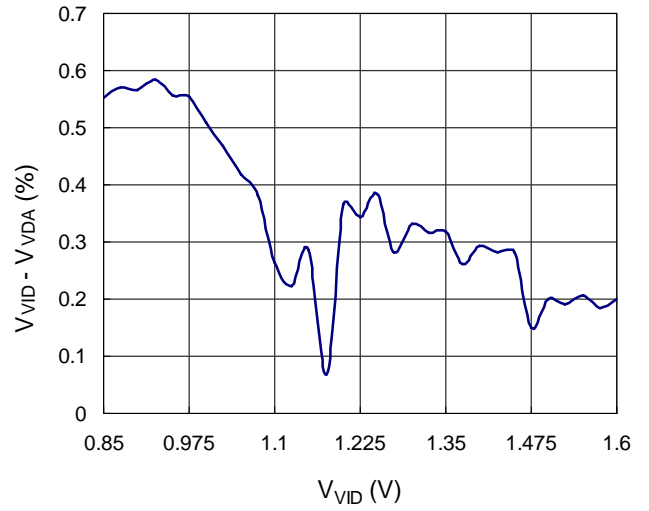
Note: (1) 0 : Connected to GND  
(2) 1 : Open

**Typical Operating Characteristics**

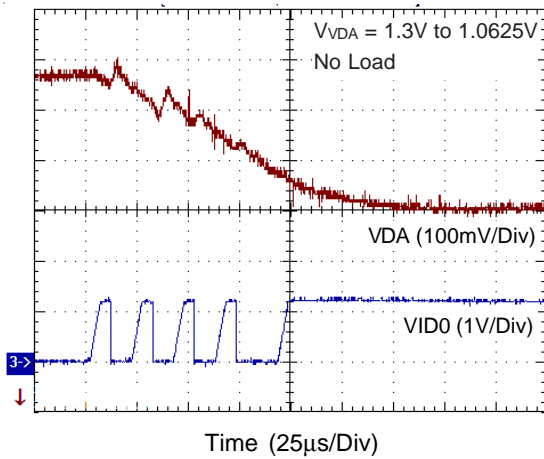
**V<sub>VDA</sub> vs. Temperature**



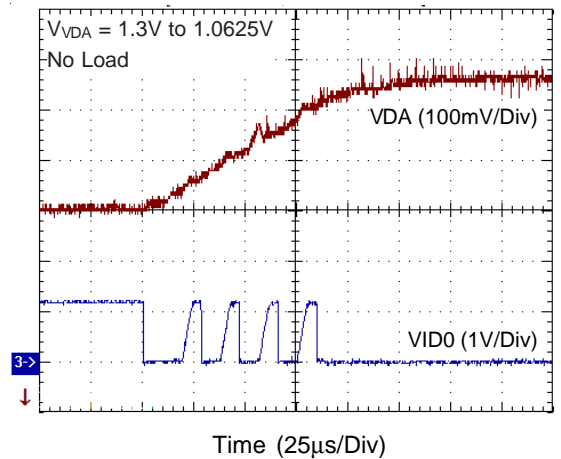
**Error Between V<sub>VID</sub> & V<sub>VDA</sub>**



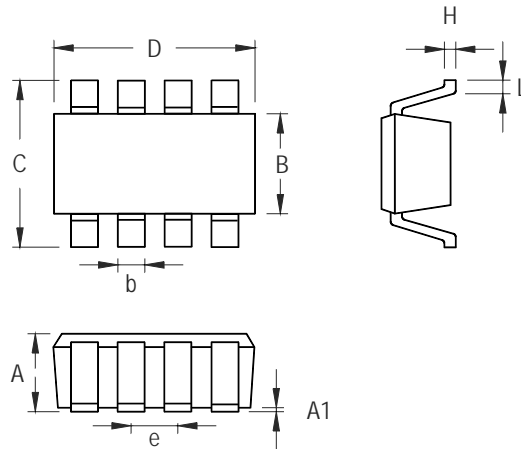
**VID on the Fly Falling**



**VID on the Fly Rising**



Outline Dimension



Symbol	Dimensions In Millimeters		Dimensions In Inches	
	Min	Max	Min	Max
A	1.000	1.450	0.039	0.057
A1	0.000	0.150	0.000	0.006
B	1.500	1.700	0.059	0.067
b	0.220	0.500	0.009	0.020
C	2.600	3.000	0.102	0.118
D	2.800	3.000	0.110	0.118
e	0.585	0.715	0.023	0.028
H	0.100	0.220	0.004	0.009
L	0.300	0.600	0.012	0.024

SOT-23-8 Surface Mount Package

**Richtek Technology Corporation**

Headquarter  
 5F, No. 20, Taiyuen Street, Chupei City  
 Hsinchu, Taiwan, R.O.C.  
 Tel: (8863)5526789 Fax: (8863)5526611

**Richtek Technology Corporation**

Taipei Office (Marketing)  
 8F, No. 137, Lane 235, Paochiao Road, Hsintien City  
 Taipei County, Taiwan, R.O.C.  
 Tel: (8862)89191466 Fax: (8862)89191465  
 Email: marketing@richtek.com

Information that is provided by Richtek Technology Corporation is believed to be accurate and reliable. Richtek reserves the right to make any change in circuit design, specification or other related things if necessary without notice at any time. No third party intellectual property infringement of the applications should be guaranteed by users when integrating Richtek products into any application. No legal responsibility for any said applications is assumed by Richtek.