

## Switch-Mode Single Cell Li-Ion Charger with USB-OTG

### General Description

The RT9460 is a switch-mode single cell Li-Ion/Li-Polymer battery charger for portable applications. It integrates a synchronous PWM controller, power MOSFETs, input current sensing and regulation, and high accuracy voltage regulation and charge termination circuits. Besides, the charging current is regulated through the integrated sensing resistors. The RT9460 also features USB On-The-Go (OTG) support.

The RT9460 optimizes the charging task by using a control algorithm to vary the charge rate via different modes, including pre-charge mode, fast charge mode, and constant voltage mode. The key charge parameters are programmable via the I<sup>2</sup>C interface. The RT9460 resumes the charge cycle whenever the battery voltage falls below an internal recharge threshold, and automatically enters sleep mode when the input power supply is removed.

Other features include under-voltage protection, over-voltage protection, thermal regulation and reverse leakage protection.

The RT9460 is available in the small WL-CSP-25B 2.52x2.52 packages.

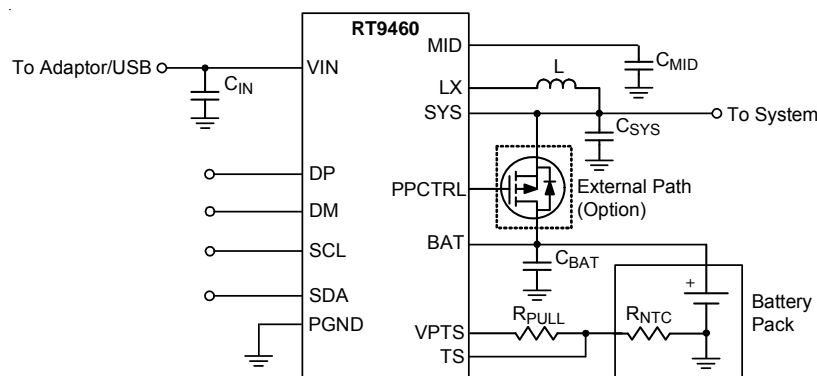
### Applications

- Cellular Telephones
- Personal Information Appliances
- Tablet PC, Power Bank
- Portable Instruments

### Features

- High Accuracy Voltage/Current Regulation
- Average Input Current Regulation (AICR) : 0.1/0.15/0.5/ to 3A per 0.1A
- Minimum Input Voltage Regulation
  - For 5V Adaptor : 4V/4.25V/4.5V/4.75V
  - For 9V Adaptor : 7V/7.5V/8V/8.5V
- Charge Current Regulation Accuracy : ±5%
- Charge Voltage Regulation Accuracy : ±1% (0 to 85°C)
- Integrated Power MOSFETS for up to 3.125A Charge Rate
- Support USB Charging Detection
- Battery Temperature Sensing
- Synchronous 0.75/1.5MHz Fixed Frequency PWM Controller with Up to 95% Duty Cycle
- Reverse Leakage Protection to Prevent Battery Drainage
- Thermal Regulation and Protection
- Over Temperature Protection
- Input Over Voltage Protection
- IRQ Output for Communication with I<sup>2</sup>C
- Automatic Charging
- RoHS Compliant and Halogen Free

### Simplified Application Circuit



## Ordering Information

RT9460 □

Package Type

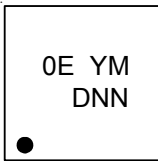
WSC : WL-CSP-25B 2.52x2.52 (BSC)

Note :

Richtek products are :

- ▶ RoHS compliant and compatible with the current requirements of IPC/JEDEC J-STD-020.
- ▶ Suitable for use in SnPb or Pb-free soldering processes.

## Marking Information

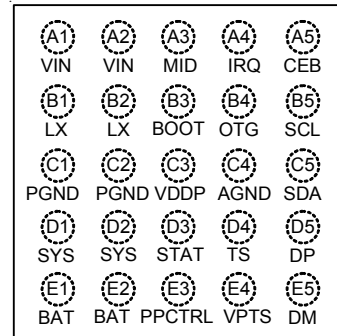


0E : Product Code

YMDNN : Date Code

## Pin Configuration

(TOP VIEW)

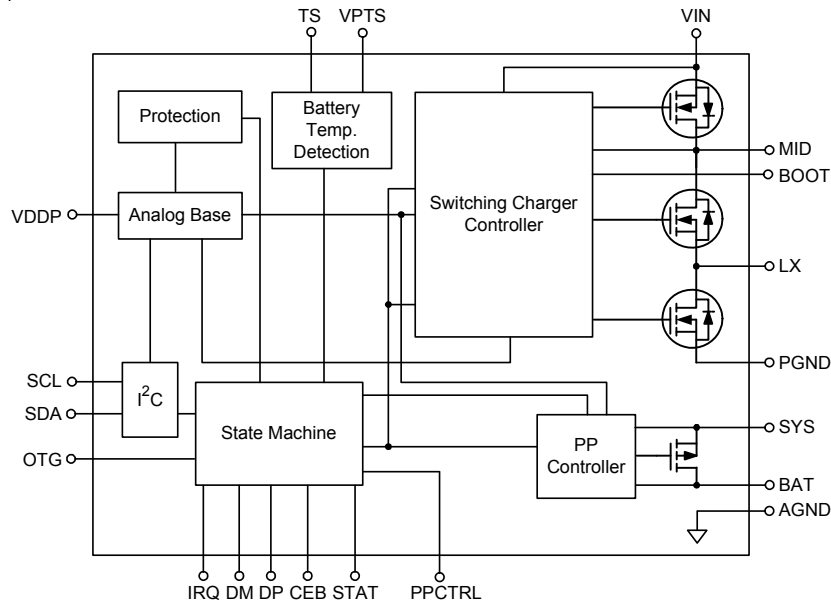


WL-CSP-25B 2.52x2.52 (BSC)

**Functional Pin Description**

Pin No.	Pin Name	Pin Description
A1, A2	VIN	Power input.
A3	MID	Connection point between reverse blocking MOSFET and high-side switching MOSFET.
A4	IRQ	IRQ output node.
A5	CEB	Enable control input. Low active. With internal 102kΩ pull low resistor.
B1, B2	LX	Switch node. Connect to an external inductor.
B3	BOOT	Bootstrap supply for high-side MOSFET. Connect a capacitor between BOOT and LX.
B4	OTG	Setting input pin OTG boost mode. With internal 102kΩ pull low resistor.
B5	SCL	Clock input for I <sup>2</sup> C. Open-drain output. Connect a pull-up resistor.
C1, C2	PGND	Power ground for switching charger.
C3	VDDP	Internal power for power stage.
C4	AGND	Analog ground.
C5	SDA	Data input for I <sup>2</sup> C. Open drain output. Connect a pull-up Resistor.
D1, D2	SYS	System voltage regulator node.
D3	STAT	Charge status indicator (open drain).
D4	TS	Battery temperature detection pin.
D5	DP	USB charger type detection pin.
E1, E2	BAT	Charging current output node. Battery charging voltage regulation feedback pin with power path.
E3	PPCTRL	Power path control pin (connect to external P-MOSFET gate).
E4	VPTS	Supply voltage for battery temperature detection.
E5	DM	USB charger type detection pin.

## Functional Block Diagram



## Operation

The RT9460 is an integrated single cell Li-ion battery switching charger with power path controller.

### Base Circuits

Base circuits provide the internal power, VDDP and reference voltage and bias current.

### Protection Circuits

The protection circuits include the VINOVP, VINUVLO, BATOVP and OTP circuits. The protection circuits turn off the charging when the input power or die temperature is in abnormal level.

### Buck Regulator for charging and Boost Regulator as OTG

The multi-loop controller controls the operation of charging process and current supply to the system. It also controls the circuits as a Boost converter for OTG applications.

### Battery Detection

The RT9460 is capable of doing the battery absence detection. The detection protects the charger when battery is removed accidentally.

### Adaptor Detection

If the poor input power source is connected to RT9460, the operation is shut down by the adaptor detection.

### Power Path Management and Control

Once the battery voltage increase to a defined system minimum regulation voltage, the internal path between SYS and BAT will be fully turned on (Cool PPM operation). That is, a better charging efficiency can be derived. When end of charge occurs, the charging stops and the internal path will be off.

### USB Charger Detection

The RT9460 detects and distinguishes SONY, APPLE NIKON and USB Charger (Standard Charger Port, Charging Downstream Port and Dedicated Charger Port) via DP and DM pins.

### TS Detection

The RT9460 detects the temperature of the battery pack via TS and VPTS pins. The VPTS pin provides a constant voltage source used to drive the voltage divider composed of a pulled-high resistor and a NTC resistor. The RT9460 reports the sensing results via IRQ and status bits for COLD, COOL, WARM and HOT.

### I²C Controller

The key parameters of charging and OTG are programmable through I²C commands.

**Absolute Maximum Ratings** (Note 1)

- Supply Input Voltage, VIN ----- -0.3V to 28V
- MID, BOOT ----- -0.3V to 28V
- LX ----- -0.3V to 20V
- MID – VIN, BOOT – LX ----- -0.3V to 6V
- Other Pins ----- -0.3V to 6V
- Power Dissipation, P<sub>D</sub> @ T<sub>A</sub> = 25°C
  - WL-CSP-25B 2.52x2.52 (BSC) ----- 3.11W
  - WQFN-32L 4x4 ----- 3.59W
- Package Thermal Resistance (Note 2)
  - WL-CSP-25B 2.52x2.52 (BSC), θ<sub>JA</sub> ----- 32.1°C/W
  - WQFN-32L 4x4, θ<sub>JA</sub> ----- 27.8°C/W
  - WQFN-32L 4x4, θ<sub>JC</sub> ----- 7°C/W
- Lead Temperature (Soldering, 10 sec.) ----- 260°C
- Junction Temperature ----- 150°C
- Storage Temperature Range ----- -65°C to 150°C
- ESD Susceptibility (Note 3)
  - HBM (Human Body Model) ----- 2kV
  - MM (Machine Model) ----- 200V

**Recommended Operating Conditions** (Note 4)

- Supply Input Voltage, VIN ----- 4.3V to 9V
- Junction Temperature Range ----- -40°C to 125°C
- Ambient Temperature Range ----- -40°C to 85°C

**Electrical Characteristics**

(VIN = 5V, VBAT = 4.2V, L = 2.2μH, CIN = 2.2μF, CBATS = 10μF, TA = 25°C, unless otherwise specified)

Parameter	Symbol	Test Conditions	Min	Typ	Max	Unit
<b>Protection</b>						
V <sub>IN</sub> OVP Threshold Voltage			15	16	17	V
V <sub>IN</sub> OVP Hysteresis			--	200	--	mV
Battery OVP			110	117	124	%
Battery OVP Hysteresis			--	10	--	%
Over-Temperature Protection	OTP		--	165	--	°C
OTP Hysteresis			--	10	--	°C
Thermal Regulation Threshold		Charge current begins to reduce	--	120	--	°C
System UVP Threshold Voltage	V <sub>sys_UVP</sub>		--	2.4	--	V

Parameter	Symbol	Test Conditions	Min	Typ	Max	Unit
<b>Sleep Mode Comparator</b>						
Sleep Mode Entry Threshold $V_{IN} - V_{BATS}$	$V_{SLP}$	$2.5V < V_{BATx} < V_{BATREG}$ , $V_{IN}$ falling	0	0.04	0.1	V
Sleep Mode Exit Hysteresis $V_{IN} - V_{BATS}$	$V_{SLPEXIT}$	$2.5V < V_{BATx} < V_{BATREG}$	40	100	200	mV
Sleep Mode Deglitch Time	$T_{SLP}$	$V_{IN}$ rising above $V_{SLP} + V_{SLPEXIT}$	--	128	--	ms
<b>Under-Voltage Lockout Threshold</b>						
IC Active Threshold Voltage	$V_{UVLO}$	$V_{IN}$ rising	3.05	3.3	3.55	V
IC Active Hysteresis	$\Delta V_{UVLO}$	$V_{IN}$ falling from UVLO	--	150	--	mV
<b>Input Currents</b>						
VIN Supply Current	$I_Q$	PWM switching, $I_{CHG} = I_{BAT} = 0mA$	--	10	--	mA
		PWM is not switching. $I_{CHG} = I_{BAT} = 0mA$	--	--	5	mA
		High impedance mode	--	--	150	$\mu A$
Leakage Current from Battery	$I_{BAT}$	$V_{IN} = 0V$ , charger off.	--	--	25	$\mu A$
<b>Input Power Regulation</b>						
Input Voltage Regulation	$V_{MIVR}$	I <sup>2</sup> C Programmable refer to Reg0x21[3:0]	4	--	8.5	V
VMIVR Accuracy			-5	--	5	%
Average Input Current Regulation Accuracy	$I_{AICR}$	USB charge mode, $I_{AICR} = 100mA$	80	--	100	mA
		USB charge mode, $I_{AICR} = 500mA$	400	--	500	
		USB charge mode, $I_{AICR} = 1A$	800	--	1000	
<b>Battery Voltage Regulation</b>						
Battery Voltage Regulation	$V_{OREG}$	I <sup>2</sup> C programmable per 20mV.	3.5	--	4.62	V
VBATREG Accuracy		0 to 85°C	-1	--	1	%
Re-Charge Threshold	$V_{RECH}$	$V_{BATx}$ falling, below $V_{BATREG}$	--	125	--	mV
Re-Charge Deglitch	$T_{RECH}$		--	128	--	ms
<b>System Minimum Regulation Voltage</b>						
System Minimum Regulation Voltage	$V_{SYS}$	I <sup>2</sup> C programmable per 0.1V	3.5	--	3.8	V
<b>Charging Current Regulation</b>						
Output Charging Current	$I_{CHG}$	I <sup>2</sup> C programmable per 0.125A	1.25	--	3.125	A
ICHG Accuracy		AICR is disabled	-5	--	5	%
Pre-Charge Threshold	$V_{PREC}$	I <sup>2</sup> C programmable per 0.2V	2	--	3	V
VPREC Accuracy			-5	--	5	%
Pre-Charge Current	$I_{PREC}$	I <sup>2</sup> C programmable per 50mA	100	--	850	mA
IPREC Accuracy			-30	--	30	%

Parameter	Symbol	Test Conditions	Min	Typ	Max	Unit
<b>Charge Termination Detection</b>						
End of Charge Current	I <sub>EOC</sub>	I <sup>2</sup> C programmable per 50mA	100	--	450	mA
Fixed IEOC		As I <sub>AICR</sub> = 100mA	--	50	--	mA
IEOC Accuracy			-100	--	100	mA
Deglitch Time for EOC	T <sub>EOC</sub>	I <sub>CHG</sub> < I <sub>EOC</sub> , V <sub>BAT</sub> > V <sub>REC</sub>	--	2	--	ms
<b>PWM</b>						
High-Side On-Resistance		From VIN to LX, Exclude I <sub>AICR</sub> = 100mA	--	90	150	mΩ
Low-Side On-Resistance		From LX to PGND	--	60	100	mΩ
Charging Efficiency		V <sub>BATx</sub> = 4V, and I <sub>CHG</sub> = 2A,	--	85	--	%
Oscillator Frequency	OSC	I <sup>2</sup> C Programmable 0.75/1.5 MHz	--	1.5	--	MHz
Frequency Accuracy			-10	--	10	%
Maximum Duty Cycle		At minimum voltage input	--	95	--	%
Minimum Duty Cycle			0	--	--	%
Peak OCP as Charger Mode	I <sub>CHGOCP</sub>		--	4.5	--	A
Power Path On-Resistance		From SYS to VBAT	--	35	60	mΩ
<b>Boost Mode Operation</b>						
Output Voltage Level	V <sub>OTG</sub>	To VIN	--	5.05	--	V
Output Voltage Accuracy			-3	--	3	%
Efficiency		V <sub>BATx</sub> = 4V, and I <sub>IN</sub> = 0.8A,	--	85	--	%
MAX Output Current		I <sup>2</sup> C programmable, 0.5A/1A	1	--	--	A
Peak Over-Current Protection			--	4.5	--	A
VIN OVP as OTG Boost			--	6	--	V
VIN OVP Hysteresis			--	250	--	mV
Minimum Battery Voltage for Boost	V <sub>BATMIN</sub>	As boost start-up	--	2.9	--	V
Minimum Battery Voltage Hysteresis			--	400	--	mV
<b>I<sup>2</sup>C Characteristics</b>						
Output Low Voltage	V <sub>OL</sub>	I <sub>DS</sub> = 10mA	--	--	0.4	V
SCL, SDA Input Threshold Voltage	Logic-High	V <sub>IH</sub>	1.3	--	--	V
	Logic-Low	V <sub>IL</sub>	--	--	0.4	
SCL Clock			--	--	400	kHz

Parameter	Symbol	Test Conditions	Min	Typ	Max	Unit
<b>DP DM Detection</b>						
D+ Voltage Source	$V_{DP\_SCR}$		0.5	0.6	0.7	V
D+ Voltage Source Output Current			200	--	--	$\mu A$
D- Current Sink	$I_{DM\_SINK}$		50	100	150	$\mu A$
Input Capacitance	$C_i$	DM pin, switch open	--	4.5	5	$\mu F$
		DP pin, switch open	--	4.5	5	
Input leakage	$I_i$	DM pin, switch open	-1	--	1	$\mu A$
		DP pin, switch open	-1	--	1	
DP Low Comparator Threshold	$V_{DP\_LOW}$		0.8	--	--	V
DM High Comparator Threshold	$V_{DM\_HIGH}$		0.8	--	--	V
DM Low Comparator Threshold	$V_{DM\_LOW}$		--	--	475	mV
<b>NTC Monitor</b>						
HOT Threshold	$V_{VTS\_HOT}$	VTS falling, the ratio of VPTS, $V_{IN} > V_{IN(MIN)}$	29	30	31	%VPTS
WARM Threshold	$V_{VTS\_WARM}$	VTS falling, the ratio of VPTS, $V_{IN} > V_{IN(MIN)}$	37	38	39	%VPTS
COOL Threshold	$V_{VTS\_COOL}$	VTS rising, the ratio of VPTS, $V_{IN} > V_{IN(MIN)}$	55	56	57	%VPTS
COLD Threshold	$V_{VTS\_COLD}$	VTS rising, the ratio of VPTS, $V_{IN} > V_{IN(MIN)}$	59	60	61	%VPTS
Low Temperature Hysteresis	$\Delta V_{VTS}$		--	1	--	%VPTS
Disable Threshold	$V_{VTS\_OFF}$	TS function disable	2	3	4	%VPTS
<b>Control I/O Pin</b>						
Output Low Voltage for STAT	$V_{OL}$	$I_{DS} = 10mA$	--	--	0.4	V
CE Input Threshold Voltage	Logic-High	$V_{IH}$	1.3	--	--	V
	Logic-Low	$V_{IL}$	--	--	0.4	

**Note 1.** Stresses beyond those listed "Absolute Maximum Ratings" may cause permanent damage to the device. These are stress ratings only, and functional operation of the device at these or any other conditions beyond those indicated in the operational sections of the specifications is not implied. Exposure to absolute maximum rating conditions may affect device reliability.

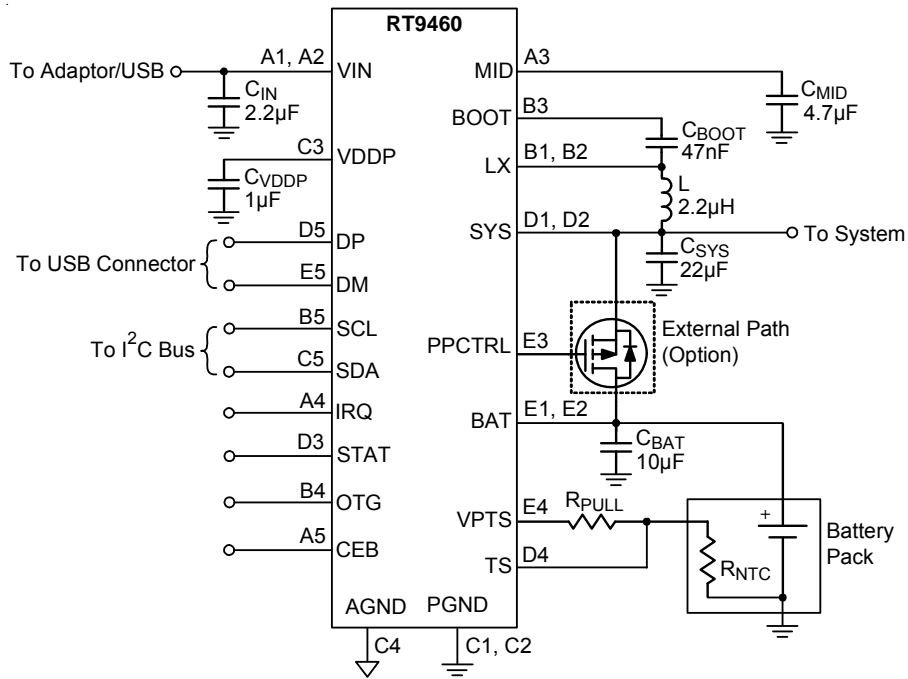
**Note 2.**  $\theta_{JA}$  is measured at  $T_A = 25^\circ C$  on a high effective thermal conductivity four-layer test board per JEDEC 51-7.  $\theta_{JC}$  is measured at the exposed pad of the package.

**Note 3.** Devices are ESD sensitive. Handling precaution is recommended.

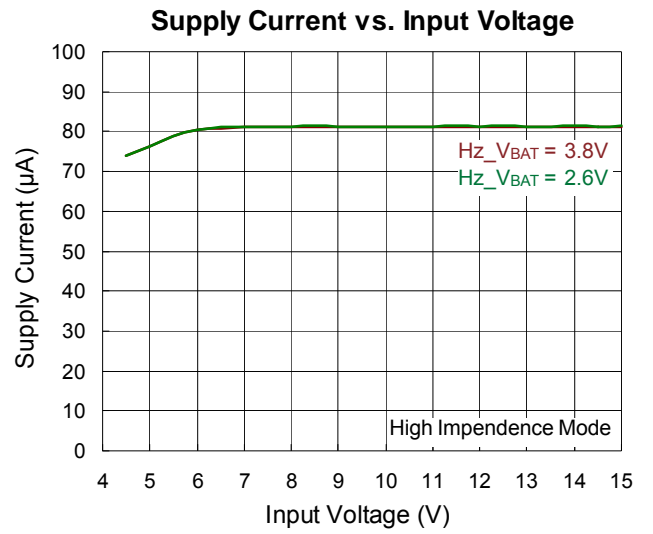
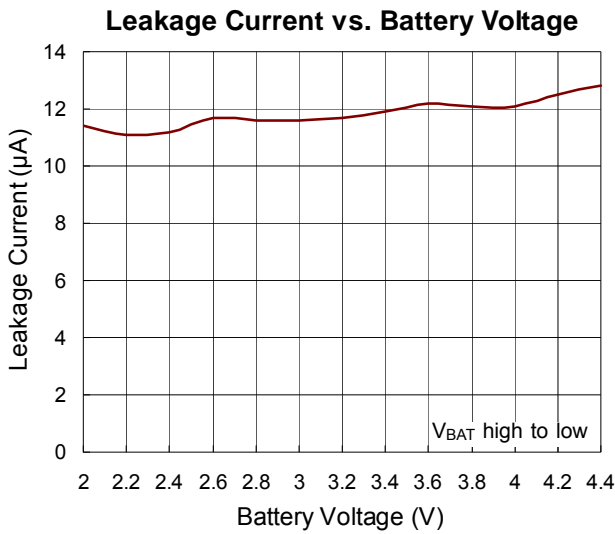
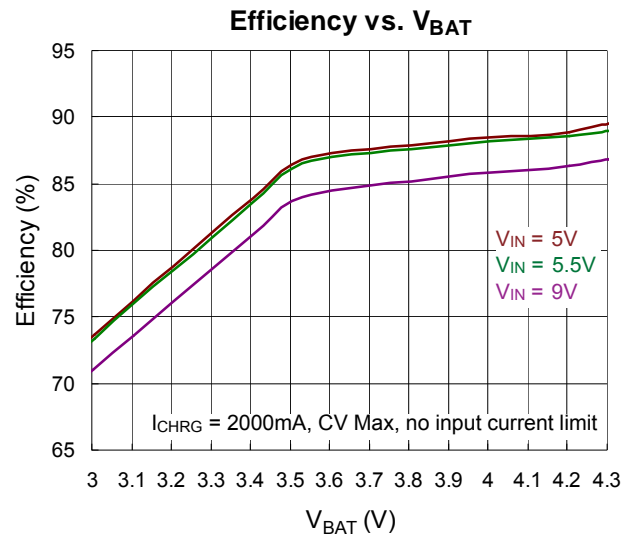
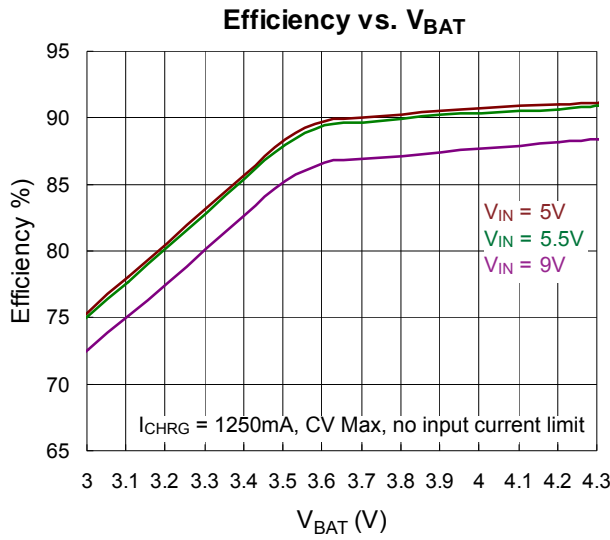
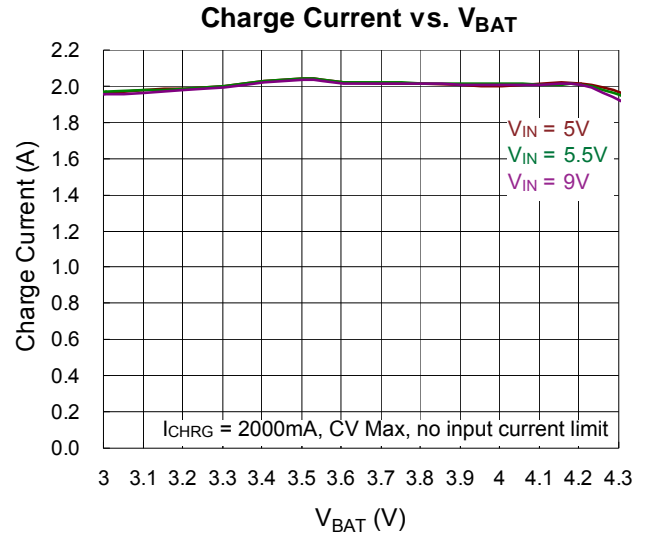
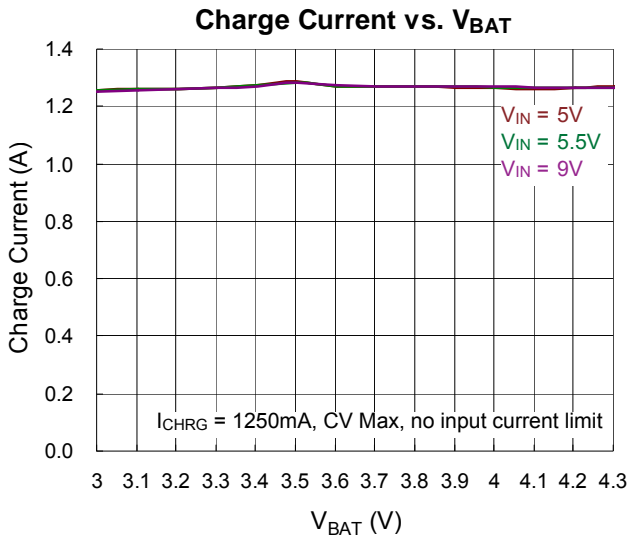
**Note 4.** The device is not guaranteed to function outside its operating conditions.

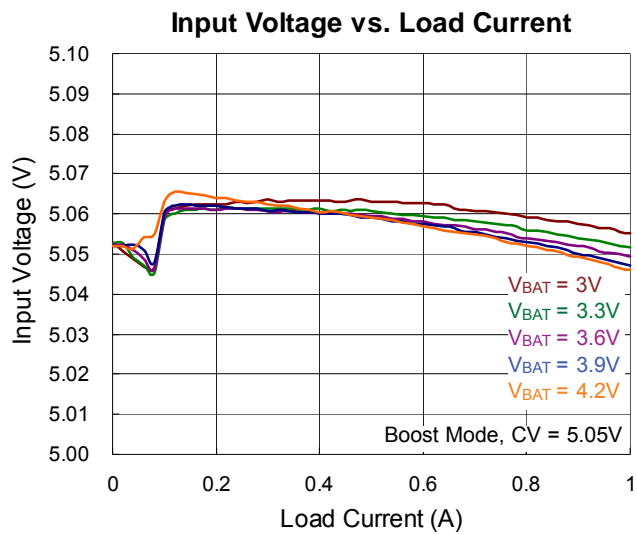
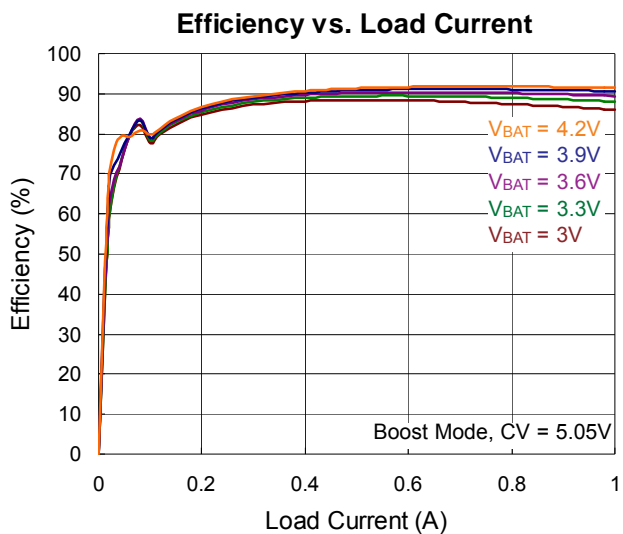


**Typical Application Circuit**



Typical Operating Characteristics





## Applications Information

The RT9460 switching charger integrates a synchronous PWM controller with power MOSFETs to provide input voltage MIVR (Minimum Input Voltage Regulation), input current AICR (Active Input Current Regulation), high accuracy current and voltage regulation, and charge termination. The charger also features USB OTG (On-The-Go).

The RT9460 has three operation modes : charge mode, boost mode (USB OTG), and high impedance mode. In charge mode, the RT9460 supports a precision charging system for single cell. In boost mode, the RT9460 works as the boost converter and boosts the voltage from battery to VIN pin for sourcing the OTG devices. In high impedance mode, the RT9460 stops charging or boosting and operates in a mode with low current from VIN or battery to reduce the power consumption when the portable device is in standby mode.

Notice that the RT9460 integrate input power source (AC adapter or USB input) detection. Thus, the RT9460 can automatically set the charge current by option. The charge current needs to be set via I<sup>2</sup>C interface by the host. The RT9460 application mechanism and I<sup>2</sup>C compatible interface are introduced in later sections.

### Charge Mode Operation

#### Minimum Input Voltage Regulation (MIVR)

The RT9460 features input voltage MIVR function to prevent input voltage drop due to insufficient current provided by the adaptor or USB input. If MIVR function is enabled, the input voltage decreases when the over current of the input power source occurs. VIN is regulated at a predetermined voltage level which can be set as 4V to 8.5V by I<sup>2</sup>C interface. At this time, the current drawn by the RT9460 equals to the maximum current value that the input power can provide at the predetermined voltage level, instead of the set value.

### Charge Profile

The RT9460 provides a precision Li-ion or Li-polymer charging solution for single-cell applications. Input current limit, charge current, termination current, charge voltage and input voltage MIVR are all programmable via the I<sup>2</sup>C interface. In charge mode, the RT9460 has five control loops to regulate input current (AICR), charge current, charge voltage, input voltage (MIVR) and device junction temperature. During the charging process, all five loops (if MIVR is enabled) are enabled and the dominant one will take over the control.

For normal charging process, the Li-ion or Li-polymer battery is charged in three charging modes depending on the battery voltage. At the beginning of the charging process, the RT9460 is in pre-charge mode. When the battery voltage rises above pre-charge threshold voltage ( $V_{PREC}$ ), the RT9460 enters fast-charge mode. Once the battery voltage is close to the regulation voltage ( $V_{OREG}$ ), the RT9460 enters constant voltage mode.

### Pre-Charge Mode

For life-cycle consideration, the battery can not be charged with large current under low battery condition. When the BATS pin voltage is below pre-charge threshold voltage ( $V_{PREC}$ ), the charger is in pre-charge mode with a weak charge current witch equals to the pre-charge current ( $I_{PREC}$ ). There are two control loops in Pre-charge mode. One is the ICC and the other is the MIN\_SYS. If the battery voltage is lower than the SYS voltage, the MOSFET won't fully turn-on to prevent the battery voltage to influence the SYS voltage. It features that the charger can also provide the current to the load from SYS even the battery voltage is too low. In pre-charge mode, the charger basically works as an LDO. The pre-charge current also acts as the current limit when the BATS pin is shorted. The Pre-Charge current levels are 100mA - 850mA programmed by I<sup>2</sup>C.

### Fast-Charge Mode and Settings

As the BAT pin rises above V<sub>PREC</sub>, the charger enters fast-charge mode and starts charging. Notice that the MUIC integrates input power source (AC adapter or USB input) detection. Thus, the switching charger can set the charge current by option automatically. Unlike the linear charger (LDO), the switching charger (Buck converter) is a current amplifier. The current drawn by the switching charger is different from the current into the battery.

The user can set the Average Input Current Regulation (AICR) and output charge current (I<sub>CHRG</sub>) respectively.

### Cycle-by-Cycle Current Limit

The charger of the RT9460 has an embedded cycle-by-cycle current limit for inductor. Once the inductor current touches the threshold (4.5A typ.), the charger stops charging immediately to prevent over current from damaging the device. Notice that, the mechanism can not be disabled by any way.

### Average Input Current Regulation (AICR)

The AICR setting is controlled by I<sup>2</sup>C. The AICR100 mode limits the input current to 100mA. The AICR500 mode limits the input current to 500mA. If the application does not need input current limit, it can be disabled also. The AICR levels programmed by I<sup>2</sup>C and suitable for USB port and several TA types.

### Charge Current (I<sub>CHG</sub>)

The charge current into the battery is determined by the power path sensing R<sub>ON</sub> and ICC setting by I<sup>2</sup>C. The voltage between the SYS and BAT pins is regulated to the voltage control by ICC setting. (I<sub>CC</sub> x R<sub>ON</sub>, R<sub>ON</sub>: power path R<sub>ON</sub>)

At RT9460, the R<sub>ON</sub> is 35mΩ and the Fast-Charge currents is set by the I<sup>2</sup>C interface from 1.25A to 3.125A per 125mA.

### Constant Voltage Mode and Settings

The RT9460 enters constant voltage mode when the BATS voltage is close to the output-charge voltage (V<sub>OREG</sub>). In this mode, the charge current begins to decrease. For default settings (charge current termination is disabled),

the RT9460 does not turn off and always regulates the battery voltage at V<sub>OREG</sub>. However, once the charge current termination is enabled, the charger terminates if the charge current is below termination current (I<sub>EOC</sub>) in constant-voltage mode. The charge current termination function is controlled by the I<sup>2</sup>C interface.

After termination, a new charge cycle restarts when one of the following conditions is detected :

- The BATS pin voltage falls below the V<sub>OREG</sub> - V<sub>RECH</sub> threshold.
- VIN Power On Reset (POR).
- CHG\_EN bit toggle or RST bit is set (via I<sup>2</sup>C interface).

### Output Charge Voltage (V<sub>OREG</sub>)

The output-charge voltage is set by the I<sup>2</sup>C interface from 3.5V to 4.62V per 25mV. The default value is 4V (011001).

### Termination Current (I<sub>EOC</sub>)

If the charger current termination is enabled (TE bit = "1" of REG0x01[3]), the end-of-charge current is determined by both termination current sense voltage (V<sub>EOC</sub>) and power path sense resistor (R<sub>ON</sub>). General R<sub>ON</sub> is 35mΩ, I<sub>EOC</sub> is set by the I<sup>2</sup>C interface from 100mA to 450mA per 50mA.

### Input Voltage Protection in Charge Mode

During charge mode, there are two protection mechanisms against if input power source capability is less than the charging current setting. One is AICR and the other is minimum input voltage regulation. A suitable level of AICR can prevent V<sub>BUS</sub> drop by the insufficient capability. As the AICR setting is not suitable, MIVR will regulate the V<sub>BUS</sub> in the setting level and sink the maximum current of power source.

### Sleep Mode (V<sub>IN</sub> - V<sub>BATS</sub> < V<sub>SLP</sub>)

The RT9460 enters sleep mode if the voltage drop between the VIN and BATS pins falls below V<sub>SLP</sub>. In sleep mode, the reverse blocking switch and PWM are all turned off. This function prevents battery drain during poor or no input power source.

## Input Over Voltage Protection

When VBUS rises above the input over voltage threshold, the switching charger stops charging and sets the fault status bits. The condition is released when VBUS falls below OVP threshold. The switching charger then resumes charging operation.

## Boost Mode Operation (OTG)

### Trigger and Operation

The RT9460 features USB OTG support. When OTG function is enabled, the synchronous boost control loop takes over the power MOSFETs and reverses the power flow from the battery to the VIN pin. In normal boost mode, the VIN pin is regulated to the level controlled by VOREG[5:0] from 4.425V to 5.825 per 25mV. The boost provides up to 1A current to support other OTG devices connected to the USB connector.

## Output Over Voltage Protection

In boost mode, the output over voltage protection is triggered when the VIN voltage is above the output OVP threshold. When OVP occurs, the boost converter stops switching and turns off immediately.

## Output Overload Protection

The RT9460 provides an overload protection to prevent the device and battery from damage when VIN is overload. Once overload condition is detected, the reverse blocking switch operates in linear region to limit the output current while the MID voltage remains in voltage regulation. If the overload condition lasts for more than 32ms, the RT9460 will recognize the overload fault condition and resets registers to the default settings.

## Battery Detection During Normal Charging

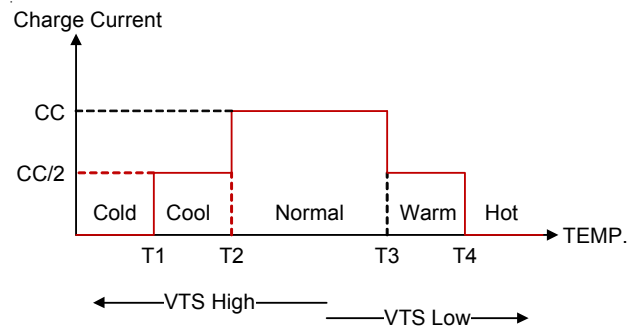
The RT9460 provides a battery absent detection scheme to detect insertion or removal of the battery pack. The battery detection scheme is valid only when both TE = 1 and BATD\_EN = 1.

During normal charging process, once the charge done condition is satisfied ( $V_{BATS} > V_{OREG} - V_{RECH}$  and termination current is detected), the RT9460 turns off the PWM converter and initiates a discharge current (detection current) for a detection time period. After that,

the RT9460 checks the BATS voltage. If it is still above the recharge threshold, the battery is present and charge done is detected. If the BATS voltage is below the recharge threshold, the battery is absent. Thus, the RT9460 stops charging and the charge parameters are reset to the default values. The charge resumes after a period of tDET (2sec. typ.).

## JEITA Protection

To enhance thermal protection of battery, JEITA function is implemented in the RT9460. JEITA guideline was released in 2007. It includes Warm and cool protection (cool section is between T1 and T2; warm section is between T3 and T4, see the figure as below). When battery's temperature is in warm or cool section, the RT9460 will reduce charging current (by a half of CC mode current). The RT9460 stop charging if temperature is lower than T1 or is higher than T4.

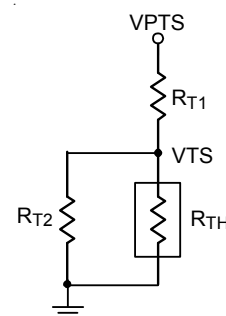


Thermal of battery can be monitored by TS PIN. There are 4 sections should be implemented in JEITA function. Base on  $R_{hot}$  and  $R_{cold}$ , RT1 and RT2 can be determined by equation (1) and equation (2).

( $R_{hot}$  mean that system trigger battery OTP,  $R_{cold}$  mean that system trigger battery low temperature protection.)

$$R_{T1} = V_{PTS} \times [(1/V_{T1} - 1/V_{T4}) / (1/R_{Cold} - 1/R_{Hot})] \quad (1)$$

$$R_{T2} = R_{T1} \times [1 / (V_{PTS} / V_{T1} - R_{T1} / R_{Cold} - 1)] \quad (2)$$



**Thermal Considerations**

For continuous operation, do not exceed absolute maximum junction temperature. The maximum power dissipation depends on the thermal resistance of the IC package, PCB layout, rate of surrounding airflow, and difference between junction and ambient temperature. The maximum power dissipation can be calculated by the following formula :

$$P_{D(MAX)} = (T_{J(MAX)} - T_A) / \theta_{JA}$$

where  $T_{J(MAX)}$  is the maximum junction temperature,  $T_A$  is the ambient temperature, and  $\theta_{JA}$  is the junction to ambient thermal resistance.

For recommended operating condition specifications, the maximum junction temperature is 125°C. The junction to ambient thermal resistance,  $\theta_{JA}$ , is layout dependent. For WL-CSP-25B 2.52x2.52 package, the thermal resistance,  $\theta_{JA}$ , is 32.1°C/W on a standard JEDEC 51-7 four-layer thermal test board. The maximum power dissipation at  $T_A = 25^\circ\text{C}$  can be calculated by the following formula :

$$P_{D(MAX)} = (125^\circ\text{C} - 25^\circ\text{C}) / (32.1^\circ\text{C/W}) = 3.11\text{W for WL-CSP-25B 2.52x2.52 package}$$

The maximum power dissipation depends on the operating ambient temperature for fixed  $T_{J(MAX)}$  and thermal resistance,  $\theta_{JA}$ . The derating curve in Figure 1 allows the designer to see the effect of rising ambient temperature on the maximum power dissipation.

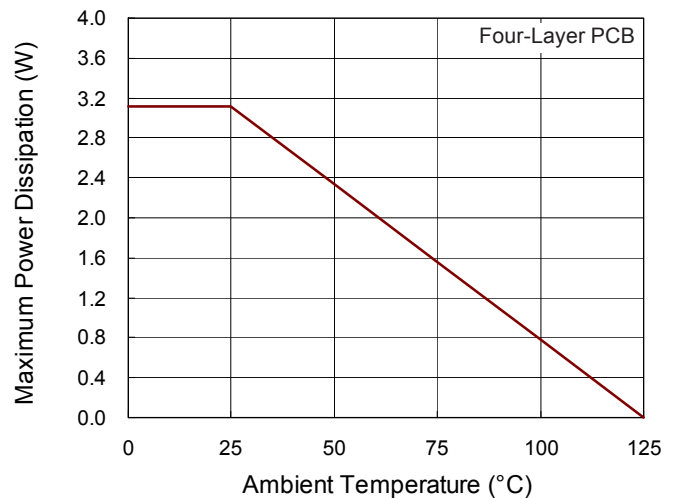


Figure 1. Derating Curve of Maximum Power Dissipation

**Layout Considerations**

- ▶ For AGND noise reduction, PGND and AGND should connect directly at top layer.
- ▶ For AGND noise reduction, PGND and AGND should be connected by ground plane at inner layer1. And this ground plane should be connected to system ground plane by via.
- ▶ VBUS and VMID (capacitor GND) should be connected to IC PGND directly at top layer.
- ▶ The output inductor and bootstrap capacitor should be placed close to the RT9460 and LX pins.

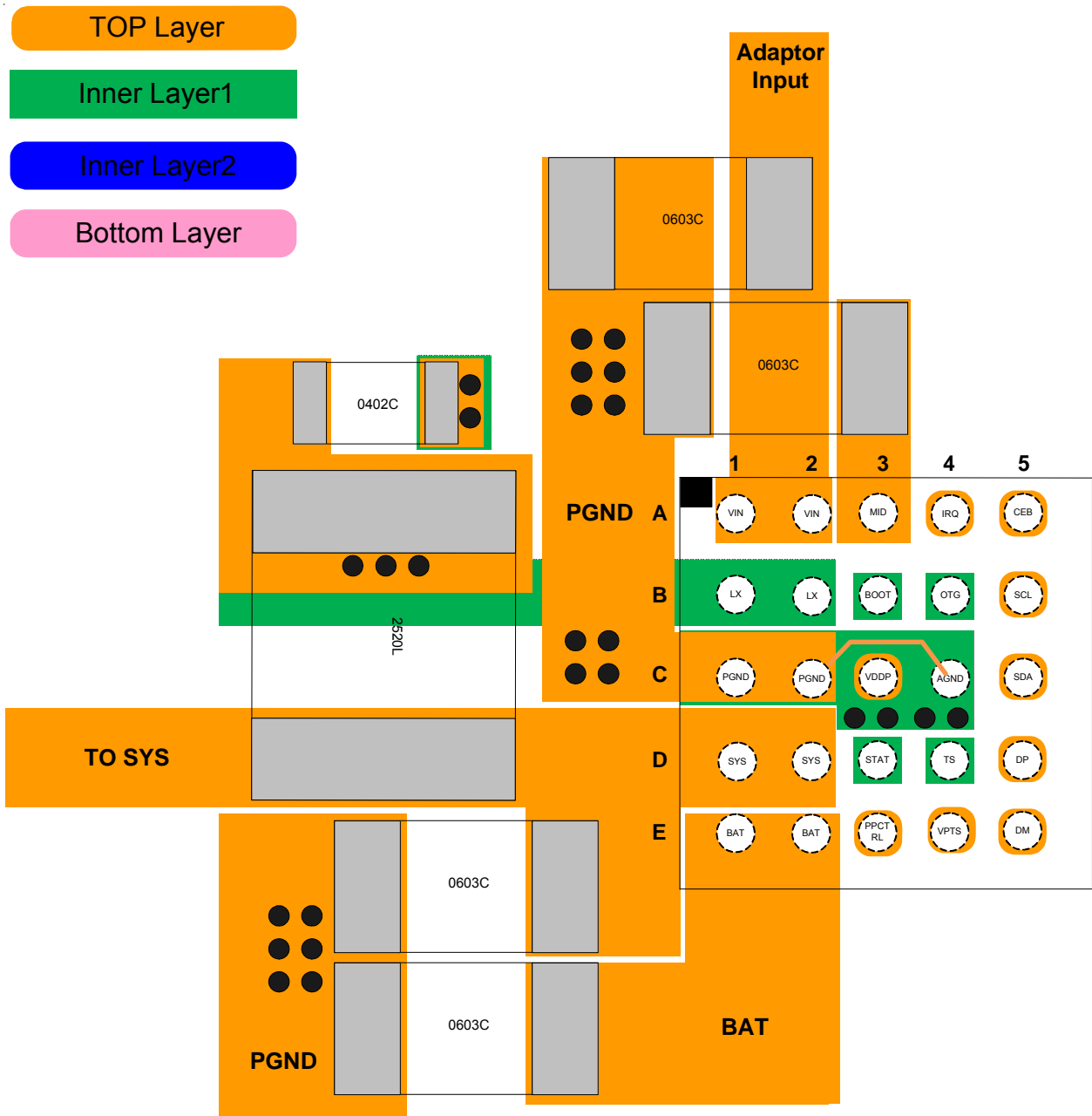


Figure 2. PCB Layout Guide



**Control Register (Control)**

I<sup>2</sup>C Slave Address : 0100101

Address	Name	Bit7	Bit6	Bit5	Bit4	Bit3	Bit2	Bit1	Bit0
0x03	Device ID	VENDOR_ID				CHIP_REV			
	Reset Value	0	1	0	0	0	0	0	0
	Read/Write	R	R	R	R	R	R	R	R
0x00	Control1	Sel_SWFreq	EN_STAT	STAT		BOOST	PWR_Rdy	OTG_PinP	MIVR
	Reset Value	0	1	0	0	0	0	0	0
	Read/Write	R/W	R/W	R	R	R	R	R	R
0x01	Control2	IEOC[2:0]			Higher_OCP	TE	IIN_INT	HZ	OPA_MODE
	Reset Value	0	1	0	0	0	0	0	0
	Read/Write	R/W	R/W	R/W	R/W	R/W	R/W	R/W	R/W
0x02	Control3	VOREG[5:0]						OTG_PL	OTG_EN
	Reset Value	0	1	1	0	0	1	1	0
	Read/Write	R/W	R/W	R/W	R/W	R/W	R/W	R/W	R/W
0x04	Control4	RST	Reserved	Reserved	Reserved	Reserved	Reserved	Reserved	Reserved
	Reset Value	0	0	0	0	0	0	0	0
	Read/Write	R/W	R/W	R/W	R/W	R/W	R/W	R/W	R/W
0x05	Control5	SYSUVP_HW_SEL	OTG_OC	SYS_Min[1:0]		IPREC[3:0]			
	Reset Value	1	0	0	1	0	0	1	1
	Read/Write	R/W	R/W	R/W	R/W	R/W	R/W	R/W	R/W
0x06	Control6	ICHRG[3:0]				EN_OSCSS	VPREC[2:0]		
	Reset Value	0	0	0	0	0	0	1	0
	Read/Write	R/W	R/W	R/W	R/W	R/W	R/W	R/W	R/W
0x07	Control7	CC_JEITA	BATD_EN	Chip_EN	CHG_EN	TS_HOT	TS_WARM	TS_COOL	TS_COLD
	Reset Value	0	0	1	1	0	0	0	0
	Read/Write	R/W	R/W	R/W	R/W	R/W	R/W	R/W	R/W
0x1C	Control8	Reserved	Reserved	Reserved	Reserved	Reserved	PPSenseNode [2:0]		
	Reset Value	1	0	0	1	1	1	0	0
	Read/Write	R/W	R/W	R/W	R/W	R/W	R/W	R/W	R/W
0x08	IRQ1	TSDI	VINOVP	WakeUpI	WatchDogI	Reserved	CHTERM_TMRI	SYSUVP	BATAB
	Reset Value	0	0	0	0	0	0	0	0
	Read/Write	R	R	R	R	R	R	R	R

Address	Name	Bit7	Bit6	Bit5	Bit4	Bit3	Bit2	Bit1	Bit0	
0x09	IRQ2	CHRVPI	CHBADI	CHBATOVI	CHTERMI	CHRCHGI	CHTMRI	CHTREGI	SYSWAKE UPI	
	Reset Value	0	0	0	0	0	0	0	0	
	Read/Write	R	R	R	R	R	R	R	R	
0x0A	IRQ3	BSTVINOVI	BSTOLI	BSTLOWVI	Reserved	Reserved	Reserved	Reserved	Reserved	
	Reset Value	0	0	0	0	0	0	0	0	
	Read/Write	R	R	R	R	R	R	R	R	
0x0B	Mask 1	TSDIM	VINOVPIM	WakeUpIM	WatchDog IM	Reserved	CHTERM_ TMRIM	SYSUVP IM	BATABM	
	Reset Value	0	0	0	0	0	0	0	0	
	Read/Write	R/W	R/W	R/W	R/W	R/W	R/W	R/W	R/W	
0x0C	Mask 2	CHRVPI	CHBADIM	CHBATOVI	CHTERMIM	CHRCHGIM	CHTMRI	CHTREGI	SYSWAKE UPI	
	Reset Value	0	0	0	0	0	0	0	0	
	Read/Write	R/W	R/W	R/W	R/W	R/W	R/W	R/W	R/W	
0x0D	Mask 3	BSTVINOVI	BSTOLIM	BSTLOWVIM	Reserved	Reserved	Reserved	Reserved	Reserved	
	Reset Value	0	0	0	0	0	0	0	0	
	Read/Write	R/W	R/W	R/W	R/W	R/W	R/W	R/W	R/W	
0x0E	Control-DP DM	CHG_TYP[2:0]			IINLMTSEL[1:0]		CHG_2DET	CHG_1DET	CHGRUN	
	Reset Value	0	0	0	1	0	1	1	0	
	Read/Write	R	R	R	R/W	R/W	R/W	R/W	R	
0x21	Control 9	Reserved	PPC_CTRL_SEL	EN_PPCTRL	MIVR_ENB	MIVR_LVL[3:0]				
	Reset Value	0	1	0	0	0	0	0	0	
	Read/Write	R/W	R/W	R/W	R/W	R/W	R/W	R/W	R/W	
0x22	Control 10	CLR_DP	DP_STAT	WT_FC[2:0]			WT_PRC[1:0]		TMR_Pause	
	Reset Value	0	0	0	0	0	0	0		
	Read/Write	R/W	R	R/W	R/W	R/W	R/W	R/W		
0x23	Control 11	AICR[4:0]					Reserved			
	Reset Value	0	0	1	0	1	1	1	1	
	Read/Write	R/W	R/W	R/W	R/W	R/W	R/W	R/W	R/W	

Address	Name	Bit7	Bit6	Bit5	Bit4	Bit3	Bit2	Bit1	Bit0
0x24	Control 12	EOC_Timer[1:0]		WakeUp_Timer[2:0]			WK_Timer_EN	IRQ_Pulse	IRQ_REZ
	Reset Value	0	0	0	0	0	0	0	0
	Read/Write	R/W	R/W	R/W	R/W	R/W	R/W	R/W	R/W
0x25	Control 13	WDT_EN	Reserved	Reserved	TWDTRST	Reserved	Reserved	TWDT[1:0]	
	Reset Value	0	0	0	1	0	0	1	1
	Read/Write	R/W	R/W	R/W	R/W	R/W	R/W	R/W	R/W
0x26	STAT IRQ	TSHOTI	TSWARMI	TSCOOLI	TSCOLDI	PWR_Rdyl	MIVRI	Reserved	Reserved
	Reset Value	0	0	0	0	0	0	0	0
	Read/Write	R/W	R/W	R/W	R/W	R/W	R/W	R/W	R/W
0x27	STAT IRQ Mask	TSHOTIM	TSWARMIM	TSCOOLIM	TSCOLDIM	PWR_RdyIM	MIVRIM	Reserved	Reserved
	Reset Value	0	0	0	0	0	0	0	0
	Read/Write	R/W	R/W	R/W	R/W	R/W	R/W	R/W	R/W

Address	Name	Bit7	Bit6	Bit5	Bit4	Bit3	Bit2	Bit1	Bit0
0x00	Control 1	Sel_SWFreq	EN_STAT	STAT		BOOST	PWR_Rdy	OTG_PinP	MIVR
	Reset Value	0	1	0	0	0	0	0	0
	Read/Write	R/W	R/W	R	R	R	R	R	R
Sel_SWFreq		The switching frequency selection bit (Charger/OTG) 0 : The switching frequency is 1.5MHz 1 : The switching frequency is 750kHz							
EN_STAT		0 : Disable STAT pin function 1 : Enable STAT pin function							
STAT		Charger status bit 00 : Ready 01 : Charge in progress 10 : Charge done 11 : Fault							
BOOST		0 : Not in boost mode 1 : Boost mode							
PWR_Rdy		Power status bit 0 : Input power is bad, VIN > VOVP or VIN < VUVLO or VIN < BATS + VSLP 1 : Input power is good, UVLO < VIN < VOVP & VIN > BATS + VSLP							
OTG_PinP		OTG pin polarity 0 : OTG input pin is low 1 : OTG input pin is high							
MIVR		MIVR status pin : 0 : MIVR regulation is inactive 1 : MIVR regulation is active							
0x01	Control 2	IEOC[2:0]			Higher_OCP	TE	IIN_INT	HZ	OPA_MODE
	Reset Value	0	1	0	0	0	0	0	0
	Read/Write	R/W	R/W	R/W	R/W	R/W	R/W	R/W	R/W
IEOC		EOC current level setting 000 : 100mA 001 : 150mA 010 : 200mA 011 : 250mA 100 : 300mA 101 : 350mA 110 : 400mA 111 : 450mA							
Higher_OCP		Charger/OTG OCP level selection 0 : OCP = 4.5A 1 : OCP = 6A							
TE		Charge current termination detection and IRQ control 0 : Disable charge current termination 1 : Enable charge current termination							

Address	Name	Bit7	Bit6	Bit5	Bit4	Bit3	Bit2	Bit1	Bit0
	IIN_INT	IAICR setting bit 0 : Decided by external OTG pin, 500mA current limit when OTG pin is low and 1A current limit when OTG pin is high 1 : Decided by I <sup>2</sup> C IAICR[4:0] and DPDM results, refer to REG0x0E							
	HZ	0 : Not high impedance mode 1 : High impedance mode							
	OPA_MODE	0 : Charger mode 1 : Boost mode							
0x02	Control 3	VOREG[5:0]						OTG_PL	OTG_EN
	Reset Value	0	1	1	0	0	1	1	0
	Read/Write	R/W	R/W	R/W	R/W	R/W	R/W	R/W	R/W
	VOREG[5:0]	Battery regulation voltage / Boost output voltage. 00 0000 : 3.50V / 4.425V 00 0001 : 3.52V / 4.45V 00 0010 : 3.54V / 4.475V ..... 01 1000 : 3.98V / 5.025 V 01 1001 : 4.00V / 5.05V 01 1010 : 4.02 / 5.075V ..... 10 0111 : 4.28V / 5.4V 10 1000 : 4.30V / 5.425V 10 1001 : 4.32V / 5.45V ..... 10 1110 : 4.42V / 5.575V 10 1111 : 4.44V / 5.6V ..... 11 0110 : 4.58V / 5.775V 11 0111 : 4.60V / 5.8V 11 1000 : 4.62V / 5.825V ..... 11 1111 : 4.62V / 5.825V							
	OTG_PL	0 : Active at low level 1 : Active at High level							
	OTG_EN	0 : Disable OTG Pin 1 : Enable OTG Pin							

Address	Name	Bit7	Bit6	Bit5	Bit4	Bit3	Bit2	Bit1	Bit0
0x03	Device ID	VENDOR_ID				CHIP_REV			
	Reset Value	0	1	0	0	0	0	0	0
	Read/Write	R	R	R	R	R	R	R	R
VENDOR_ID		Vendor Identification : Richtek : 0100b							
CHIP_REV		Chip Revision							
0x04	Control 4	RST	Reserved	Reserved	Reserved	Reserved	Reserved	Reserved	Reserved
	Reset Value	0	0	0	0	0	0	0	0
	Read/Write	R/W	R/W	R/W	R/W	R/W	R/W	R/W	R/W
RST		Write : 1-Charger in reset mode, 0-No effect, Read : always get "0"							
0x05	Control 5	SYSUVP_HW_SEL	OTG_OC	SYS_Min[1:0]		IPREC[3:0]			
	Reset Value	1	0	0	1	0	0	1	1
	Read/Write	R/W	R/W	R/W	R/W	R/W	R/W	R/W	R/W
SYSUVP_HW_SEL		System UV protection selection bit 0 : Switching is not turned off when System UVP 1 : Switching is turned off when System UVP							
OTG_OC		Over current protection threshold 0 : 0.5A 1 : 1A							
SYS_Min[1:0]		System minimum regulation voltage 00 : 3.5V 01 : 3.6V 10 : 3.7V 11 : 3.8V							
IPREC[3:0]		0000 : 100mA 0001 : 150mA 0010 : 200mA 0011 : 250mA 0100 : 300mA 0101 : 350mA 0110 : 400mA 0111 : 450mA 1000 : 500mA 1001 : 550mA 1010 : 600mA 1011 : 650mA 1100 : 700mA 1101 : 750mA 1110 : 800mA 1111 : 850mA							

Address	Name	Bit7	Bit6	Bit5	Bit4	Bit3	Bit2	Bit1	Bit0
0x06	Control 6	ICHRG[3:0]				EN_OSCSS	VPREC[2:0]		
	Reset Value	0	0	0	0	0	0	1	0
	Read/Write	R/W	R/W	R/W	R/W	R/W	R/W	R/W	R/W
	ICHRG[3:0]	Charging current setting (Recommended to set REG0x1C [2:0] = 111) 0000 : 1.25A 0001 : 1.375A 0010 : 1.5A ..... 0110 : 2A ..... 1010 : 2.5A ..... 1110 : 3A 1111 : 3.125A							
	EN_OSCSS	Enable signal of oscillator spread spectrum 0 : Disable spread spectrum 1 : Enable spread spectrum							
	VPREC[2:0]	Pre-Charge voltage threshold 000 : 2V 001 : 2.2V 010 : 2.4V 011 : 2.6V 100 : 2.8V 101 : 3.0V ..... 111 : 3.0V							
0x07	Control 7	CC_JEITA	BATD_EN	CHIP_EN	CHG_EN	TS_HOT	TS_WARM	TS_COOL	TS_COLD
	Reset Value	0	0	1	1	0	0	0	0
	Read/Write	R/W	R/W	R/W	R/W	R	R	R	R
	CC_JEITA	Charging current setting bit 0 : ICHRG 1 : ICHRG/2							
	BATD_EN	Battery detection when charge done 0 : Disable battery detection 1 : Enable battery detection							
	CHIP_EN	Chip enable bit 0 : Chip is disabled 1 : Chip is enabled							
	CHG_EN	Charger enable bit : 0 : Charger is disabled 1 : Charger is enabled							
	TS_HOIT	Temperature status read bit 0 : Normal temperature 1 : Temperature is hot							

Address	Name	Bit7	Bit6	Bit5	Bit4	Bit3	Bit2	Bit1	Bit0
	TS_WARM	Temperature status read bit 0 : Normal temperature 1 : Temperature is warm							
	TS_COOL	Temperature status read bit 0 : Normal temperature 1 : Temperature is cool							
	TS_COLD	Temperature status read bit 0 : Normal temperature 1 : Temperature is cold							
0x1C	Control 8	Reserved	Reserved	Reserved	Reserved	Reserved	PPSenseNode [2:0]		
	Reset Value	1	0	0	1	1	1	0	0
	Read/Write	R/W	R/W	R/W	R/W	R/W	R/W	R/W	R/W
	PPSenseNode [2:0]	Power path current sensing adjustment 100 : default setting ..... 111 : recommended setting							
0x08	IRQ 1	TSDI	VINOVPI	WakeUpI	WatchDogI	Reserved	CHTERM_TMRI	SYSUVPI	BATABI
	Reset Value	0	0	0	0	0	0	0	0
	Read/Write	R	R	R	R	R	R	R	R
	TSDI	Thermal shutdown fault. Set if the die temperature exceeds the thermal shutdown threshold							
	VINOVPI	VIN over voltage protection 0 : Normal 1 : VINOVP is detected							
	WakeUpI	WakeUp timer fault 0 : Normal 1 : WakeUp timer is expired							
	WatchDogI	WatchDog timer fault 0 : Normal 1 : WatchDog timer is expired							
	CHTERM_TMRI	EOC timer fault 0 : Normal 1 : EOC timer is expired							
	SYSUVPI	System UVP fault 0 : Normal 1 : SYSUVP is triggered							
	BATABI	Battery absence fault bit 0 : Normal 1 : Battery absence							



Address	Name	Bit7	Bit6	Bit5	Bit4	Bit3	Bit2	Bit1	Bit0
0x09	IRQ 2	CHRVPI	CHBADI	CHBATOVI	CHTERMI	CHRCHGI	CHTMRI	CHTREGI	SYSWAKEUPI
	Reset Value	0	0	0	0	0	0	0	0
	Read/Write	R	R	R	R	R	R	R	R
CHRVPI		Charger fault. Reverse protection (VIN < BATS + VSLP)							
CHBADI		Charger fault. Bad adaptor (Poor Input source or VIN < VUVLO)							
CHBATOVI		Charger fault. Battery OVP							
CHTERMI		Charge terminated							
CHRCHGI		Recharge request (VBATS < VOREG – VRECH)							
CHTMRI		Charger fault. Timer time-out							
CHTREGI		Charger warning. Thermal regulation loop active							
SYSWAKEUPI		Battery voltage is high enough to wakeup system							
0x0A	IRQ 3	BSTVINOVI	BSTOLI	BSTLOWVI	Reserved	Reserved	Reserved	Reserved	Reserved
	Reset Value	0	0	0	0	0	0	0	0
	Read/Write	R	R	R	R	R	R	R	R
BSTVINOVI		Boost fault. VIN OVP (VIN > VIN_BOVP)							
BSTOLI		Boost fault. Over load							
BSTLOWVI		Boost fault. Battery voltage is too low							
0x0B	Mask 1	TSDIM	VINOVPIM	WakeUpIM	WatchDogIM	Reserved	CHTERM_TMRIM	SYSUVPIM	BATABIM
	Reset Value	0	0	0	0	0	0	0	0
	Read/Write	R/W	R/W	R/W	R/W	R/W	R/W	R/W	R/W
TSDIM		TSDI fault interrupt mask 0 : Interrupt is not masked 1 : Interrupt is masked							
VINOVPIM		VIN OVP fault interrupt mask 0 : Interrupt is not masked 1 : Interrupt is masked							
WakeUpIM		WakeUp timer interrupt mask 0 : Interrupt is not masked 1 : Interrupt is masked							
WatchDogIM		WatchDog timer interrupt mask 0 : Interrupt is not masked 1 : Interrupt is masked							
CHTERM_TMRIM		EOC timer interrupt mask 0 : Interrupt is not masked 1 : Interrupt is masked							

Address	Name	Bit7	Bit6	Bit5	Bit4	Bit3	Bit2	Bit1	Bit0
	SYSUVPIM	System UVP fault interrupt mask 0 : Interrupt is not masked 1 : Interrupt is masked							
	BATABIM	Battery absence fault interrupt mask 0 : Interrupt is not masked 1 : Interrupt is masked							
0x0C	Mask 2	CHRVPI IM	CHBAD IM	CHBATO VIM	CHTERM IM	CHRCH GIM	CHTMRI M	CHTREG IM	SYSWAK EUPIM
	Reset Value	0	0	0	0	0	0	0	0
	Read/Write	R	R	R	R	R	R	R	R
	CHRVPI	Charger reverse protection interrupt mask 0 : Interrupt is not masked 1 : Interrupt is masked							
	CHBADIM	Charger Bad adaptor interrupt mask 0 : Interrupt is not masked 1 : Interrupt is masked							
	CHBATO	Charger battery over voltage interrupt mask 0 : Interrupt is not masked, 1 : Interrupt is masked							
	CHTERMIM	Charge terminated interrupt mask 0 : Interrupt is not masked 1 : Interrupt is masked							
	CHRCHGIM	Charger recharge request interrupt mask 0 : Interrupt is not masked 1 : Interrupt is masked							
	CHTMRI	Charger timer timeout interrupt mask 0 : Interrupt is not masked 1 : Interrupt is masked							
	CHTREGIM	Charger thermal regulation loop active interrupt mask 0 : Interrupt is not masked 1 : Interrupt is masked							
	SYSWAKEUPIM	System wakeup interrupt mask 0 : Interrupt is not masked 1 : Interrupt is masked							

Address	Name	Bit7	Bit6	Bit5	Bit4	Bit3	Bit2	Bit1	Bit0
0x0D	Mask 3	BSTVINO VIM	BSTOLI M	BSTLOW VIM	Reserved	Reserved	Reserved	Reserved	Reserved
	Reset Value	0	0	0	0	0	0	0	0
	Read/Write	R	R	R	R	R	R	R	R
BSTVINOVIM		Boost VIN overvoltage interrupt mask 0 : Interrupt is not masked 1 : Interrupt is masked							
BSTOLIM		Boost over load interrupt mask 0 : Interrupt is not masked 1 : Interrupt is masked							
BSTLOWVIM		Boost low battery voltage interrupt mask 0 : Interrupt is not masked 1 : Interrupt is masked							
0x0E	Control DPDM	CHG_TYP[2:0]			IINLMTSEL[1:0]		CHG_2DET	CHG_1DET	CHGRUN
	Reset Value	0	0	0	1	0	1	1	0
	Read/Write	R	R	R	R/W	R/W	R/W	R/W	R
CHG_TYP[2:0]		Charger type indication 000 : Standard USB Charger (SDP) 001 : Sony Charger -1 010 : Sony Charger -2 011 : Apple Charger (0.5A) 100 : Apple Charger (1A) 101 : Nikon Charger (1A) 110 : Charging Downstream Port (CDP) (High Current Host/Hub) 111 : Dedicated Charger (DCP)							
IINLMTSEL[1:0]		Input current limit selection bit 00 : CHG_TYP[2:0] is applied and ignore IAICR[4:0] 01 : IAICR[4:0] is applied and ignore CHG_TYP[2:0] 10 : Input limit is set to the higher level of IAICR[4:0] and CHG_TYP[2:0] results 11 : Input limit is set to the lower level of IAICR[4:0] and CHG_TYP[2:0] results							
CHG_2DET		The CHG_2DET bit is used to enable the secondary charger detection (to distinguish CDP and DCP). Set this bit to 1 in order to enable charger detection. 0 : Secondary Charger Detection is disabled 1 : Secondary Charger Detection is enabled							
CHG_1DET		The CHG_1DET bit is used to enable the primary charger detection and auto-detect charger type when VIN plug in. Toggle this bit value (set to 0 and then set 1) to re-enable charger detection. 0 : Primary Charger Detection is disabled 1 : Primary Charger Detection is enabled							
CHGRUN		The CHGRUN bit is the charger detector status bit. It means the charger detection is running or not. 0 : Charger Detection is not running 1 : Charger Detection is running							

Address	Name	Bit7	Bit6	Bit5	Bit4	Bit3	Bit2	Bit1	Bit0
0x21	Control 9	Reserved	PPC_CTRL_SEL	EN_PPCTRL	MIVR_ENB	MIVR_LVL[3:0]			
	Reset Value	0	1	0	0	0	0	0	0
	Read/Write	R/W	R/W	R/W	R/W	R/W	R/W	R/W	R/W
PPC_CTRL_SEL		Pin-PPCTRL control by Software (SW) or Hardware (HW) 0 : Controlled by SW 1 : Controlled by HW							
EN_PPCTRL		External power-path control signal. It works when PPC_CTRL_SEL = 0 0: PPCTRL pin Internally pulled high to VSYS 1: PPCTRL pin Internally pulled low to PGND							
MIVR_ENB		Control the MIVR regulation 0 : MIVR regulation is enabled 1 : MIVR regulation is disabled							
MIVR_LVL[3:0]		Control the MIVR regulation level 0000 : 4.0V 0001 : 4.25V 0010 : 4.5V 0011 : 4.75V 0100 : 7.0V 0101 : 7.5V 0110 : 8.0V 0111 : 8.5V							

Address	Name	Bit7	Bit6	Bit5	Bit4	Bit3	Bit2	Bit1	Bit0
0x22	Control 10	CLR_DP	DP_STAT	WT_FC[2:0]			WT_PRC[1:0]		TMR_Pause
	Reset Value	0	0	0	0	0	0	0	0
	Read/Write	R/W	R	R/W	R/W	R/W	R/W	R/W	R/W
CLR_DP		Clear DP pin of 0.6V voltage source 0 : Don't care 1 : Release DP pin of 0.6V voltage source							
DP_STAT		DP pin status indication 0 : DP pin is pulled to 0.6V 1 : DP pin is released							
WT_FC[2:0]		Fast charge timer 000 : 4hrs 001 : 6hrs 010 : 8hrs 011 : 10hrs 100 : 12hrs 101 : 14hrs 110 : 16hrs 111 : Timer disabled							
WT_PRC[1:0]		Pre charge timer 00 : 30min 01 : 45min 10 : 60min 11 : Timer disabled							
TMR_Pause		Timer control bit 0 : Timer is active 1 : Timer is paused							

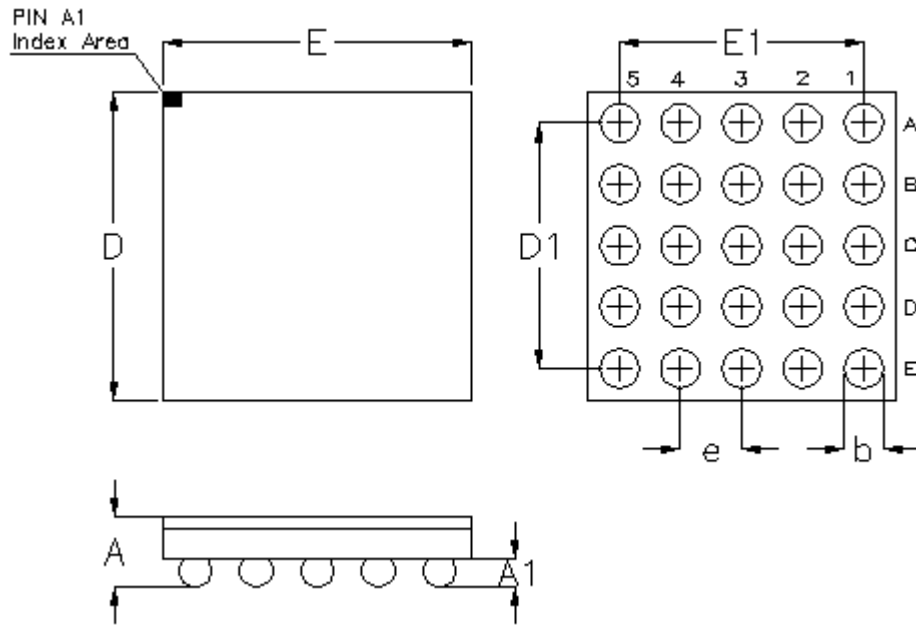
Address	Name	Bit7	Bit6	Bit5	Bit4	Bit3	Bit2	Bit1	Bit0	
0x23	Control 11	IAICR[4:0]					Reserved			
	Reset Value	0	0	1	0	1	1	1	1	
	Read/Write	R/W	R/W	R/W	R/W	R/W	R/W	R/W	R/W	
	IAICR[4:0]	Average Input Current Regulation (AICR) setting 0000X : 100mA 0001X : 150mA 0010X : 500mA 00110 : 600mA 00111 : 700mA ..... 01010 : 1A 01011 : 1.1A ..... 01111 : 1.5A ..... 10100 : 2A ..... 11110 : 3A 11111 : Disable								

Address	Name	Bit7	Bit6	Bit5	Bit4	Bit3	Bit2	Bit1	Bit0
0x24	Control 12	EOC_Timer[1:0]		Wake-up Timer[2:0]			WK_Timer_EN	IRQ_Pulse	IRQ_REZ
	Reset Value	0	0	0	0	0	0	0	0
	Read/Write	R/W	R/W	R/W	R/W	R/W	R/W	R/W	R/W
EOC_Timer[1:0]		The timer of back-charging time 00 : 0 min 01 : 30 min 10 : 45 min 11 : 60min							
Wake-up Timer[2:0]		The periodically timer IRQ to awake 000 : 4s 001 : 8s 010 : 16s 011 : 32s 100 : 64s 101 : 2min 110 : 4min 111 : 8min							
WK_Timer_EN		Control the wake-up timer 0 : Timer is disabled 1 : Timer is enabled							
IRQ_Pulse		Control the IRQ remind function 0 : The IRQ reminding is disabled 1 : The IRQ reminding is enabled. If the IRQ is triggered and no check action, it will be released for 2ms and triggered again							
IRQ_REZ		IRQ release control 0 : No action 1 : Release IRQ pin status. It is auto reset to 0 when release is done							
0x25	Control 13	WDT_EN	Reserved	Reserved	TWD_TRST	Reserved	Reserved	TWDT[1:0]	
	Reset Value	0	0	0	1	0	0	1	1
	Read/Write	R/W	R/W	R/W	R/W	R/W	R/W	R/W	R/W
WDT_EN		Control watch dog timer 0 : Disable timer and reset 1 : Enable timer							
TWDTRST		Waiting timer to reset I <sup>2</sup> C setup after watchdog is asserted 0 : 200ms 1 : 500ms							
TWDT[1:0]		Watch dog timer, from WDTEN is enabled to watchdog IRQ 00 : 1s 01 : 2s 10 : 4s 11 : 8s							

Address	Name	Bit7	Bit6	Bit5	Bit4	Bit3	Bit2	Bit1	Bit0
0x26	STAT IRQ	TSHOTI	TSWARMI	TSCOO LI	TSCOL DI	PWR_ Rdyl	MIVRI	Reserved	Reserved
	Reset Value	0	0	0	0	0	0	0	0
	Read/Write	R	R	R	R	R	R	R	R
TSHOTI		Status IRQ : Interrupt is triggered when TS is entering or exiting HOT region							
TSWARMI		Status IRQ : Interrupt is triggered when TS is entering or exiting WARM region							
TSCOO LI		Status IRQ : Interrupt is triggered when TS is entering or exiting COOL region							
TSCOL DI		Status IRQ : Interrupt is triggered when TS is entering or exiting COLD region							
PWR_ Rdyl		Status IRQ : Interrupt is triggered when PWR_Rdy is from bad to good or from good to bad							
MIVRI		Status IRQ : Interrupt is triggered when MIVR loop is from inactive to activate or from active to inactive							
0x27	STAT Mask	TSHOTIM	TSWARM IM	TSCOO LIM	TSCOL DIM	PWR_ RdyIM	MIVRIM	Reserved	Reserved
	Reset Value	0	0	0	0	0	0	0	0
	Read/Write	R/W	R/W	R/W	R/W	R/W	R/W	R/W	R/W
TSHOTIM		TS in HOT interrupt mask 0 : Interrupt is not masked 1 : Interrupt is masked							
TSWARMIM		TS in WARM interrupt mask 0 : Interrupt is not masked 1 : Interrupt is masked							
TSCOO LIM		TS in COOL interrupt mask 0 : Interrupt is not masked 1 : Interrupt is masked							
TSCOL DIM		TS in COLD interrupt mask 0 : Interrupt is not masked 1 : Interrupt is masked							
PWR_ RdyIM		PWR_Rdy interrupt mask 0 : Interrupt is not masked 1 : Interrupt is masked							
MIVRIM		MIVR interrupt mask 0 : Interrupt is not masked 1 : Interrupt is masked							



**Outline Dimension**



Symbol	Dimensions In Millimeters		Dimensions In Inches	
	Min	Max	Min	Max
A	0.525	0.625	0.021	0.025
A1	0.200	0.260	0.008	0.010
b	0.290	0.350	0.011	0.014
D	2.470	2.570	0.097	0.101
D1	2.000		0.079	
E	2.470	2.570	0.097	0.101
E1	2.000		0.079	
e	0.500		0.020	

**25B WL-CSP 2.52x2.52 Package (BSC)**

**Richtek Technology Corporation**

14F, No. 8, Tai Yuen 1<sup>st</sup> Street, Chupei City  
 Hsinchu, Taiwan, R.O.C.  
 Tel: (8863)5526789

Richtek products are sold by description only. Richtek reserves the right to change the circuitry and/or specifications without notice at any time. Customers should obtain the latest relevant information and data sheets before placing orders and should verify that such information is current and complete. Richtek cannot assume responsibility for use of any circuitry other than circuitry entirely embodied in a Richtek product. Information furnished by Richtek is believed to be accurate and reliable. However, no responsibility is assumed by Richtek or its subsidiaries for its use; nor for any infringements of patents or other rights of third parties which may result from its use. No license is granted by implication or otherwise under any patent or patent rights of Richtek or its subsidiaries.