

承 认 书

SPECIFICATION SHEET

产 品 名 称 DESCRIPTION: MULTI-PURPOSE LCD TV CONTROL BOARD
客 户 型 号 CUSTOMER MODEL: _____
客 户 编 号 CUSTOMER CODE: _____
承 制 方 型 号 MANUFACTURER MODEL: RTD2662
版 本 EDITION: _____
日 期 DATE: _____

FINDER ELECTRONICS CO.,LTD.

CONTENT

PAGE	ITEM
1	CONTENT
1	REVISION HISTORY
2	GENERAL DISCRIPTION
2	FEATURES
3	FUNCTION LAYOUT
3	CONFIGURATION & GENERAL PRECAUTIONS
4	DIMENSIONS
4	IR & KEY BOARD & LED-INDICATOR SCHEMITICS
5	INTERFACE DEFINITION

REVISION HISTORY

VERSION	DATE	PAGE	DISCRIPTION	AUTHOR
1. 0	08.09.10	All	First issued	T

1. GENERAL DESCRIPTION

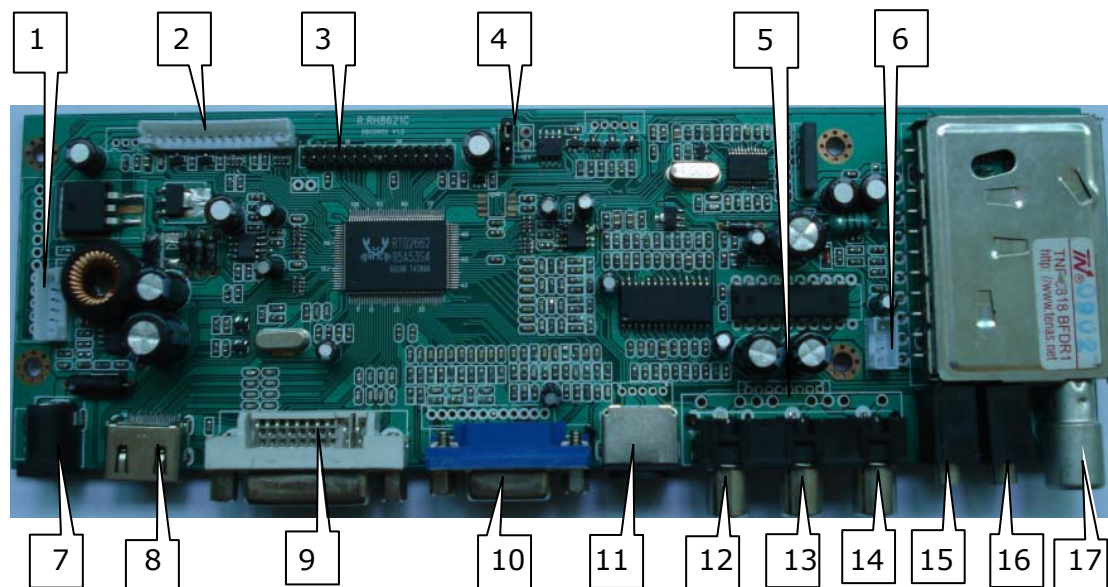
RTD2662 is a control board of LCD TV, it supports LCD panels with LVDS interface, it supports PC-RGB signal with 1920x1200 resolution.

RTD2662 supports TV, HDMI, YPBPR, DVI, VGA, AV, S-VIDEO. It includes an audio amplifier which can support 2X5W (8Ω) output.

2. FEATURES

CHIPSET	RTD2662			
OSD LANGUAGE	English, Simplified/Traditional Chinese, Korean,			
PANEL	Interface	Single/Dual LVDS		
	Resolution	Up to 1920x1200		
TV SYSTEM	PAL			
VIDEO INPUT	PC-RGB	Format	Up to 1920x1200@60Hz	
		H-Frequency	30~80KHz	
		V-Frequency	56~75Hz	
	CVBS	Video System	PAL/NTSC/SECAM	
		Video level	1.0 Vp-p +/-5%	
	S-VIDEO	S-Y:0.714 Vp-p: +/-5% S-C:0.286 Vp-p: +/-5%		
	YPbPr	480i, 480p, 576i, 576p, 720p, 1080i, 1080p		
HDMI	480i, 480p, 576i, 576p, 720p, 1080i, 1080p			
AUDIO INPUT	PC-RGB	Earphone input	0.2 – 2.0 Vrms	
	YUV	L/R RCA input	0.2 – 2.0 Vrms	
	CVBS	L/R RCA input	0.2 – 2.0 Vrms	
	S-VIDEO			
AMPLIFIER	Frequency response	100Hz-15000Hz @±3dB (1KHz 0dB reference signal)		
	Amplifier Output	2X2.6W (4Ω)		
POWER	Input	DC 12V (+/-0.6V), or 12V+5V,		
	To Panel	3.3V, 5V, 12V		
	Management	Standby < 3W		
KEY FUNCTIONS	Source, Menu, VOL+/-, CH+/-, Power			
TERMINALS	INPUT	TV	1 IEC 75Ω	
		HDMI	1 HDMI	
		DVI	1 DVI	
		VGA	1 D-SUB 15Pin (blue)	
		S-VIDEO	1 S-Video (black)	
		CVBS	1 RCA (yellow) OR 1 BNC	
		PC-RGB AUDIO	1 earphone terminal(black)	
		CVBS AUDIO	2RCA (white, red)	
		S-VIDEO AUDIO		
		YPBPR AUDIO		
	OUTPUT	EARPHONE AUDIO	1 earphone terminal(black)	

3. FUNCTION LAYOUT



INTERFACE FUNCTION DESCRIPTION

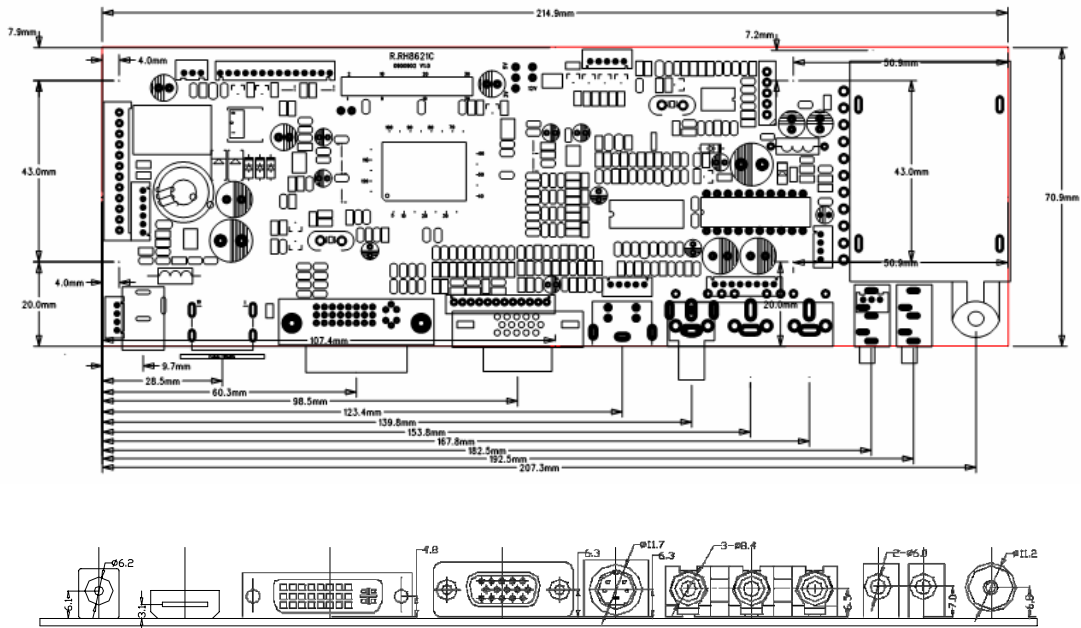
NO.	DESCRIPTION	NO.	DESCRIPTION
1	Inverter Connector	10	VGA Input
2	IR & Keyboard & LED-Indicator Connector	11	S-Video Input
3	LVDS Panel Connector	12	CVBS Input
4	Power Jumper for Panel	13	CVBS/S-Video/YPbPr Audio (Right) Input
5	YPbPr Input Connector	14	CVBS/S-Video/YPbPr Audio (Left) Input
6	Speaker Connector	15	PC-RGB Audio Input
7	Power Input	16	Earphone Output
8	HDMI Input	17	TV Input
9	DVI Input		

4. CONFIGURATION & GENERAL PRECAUTIONS

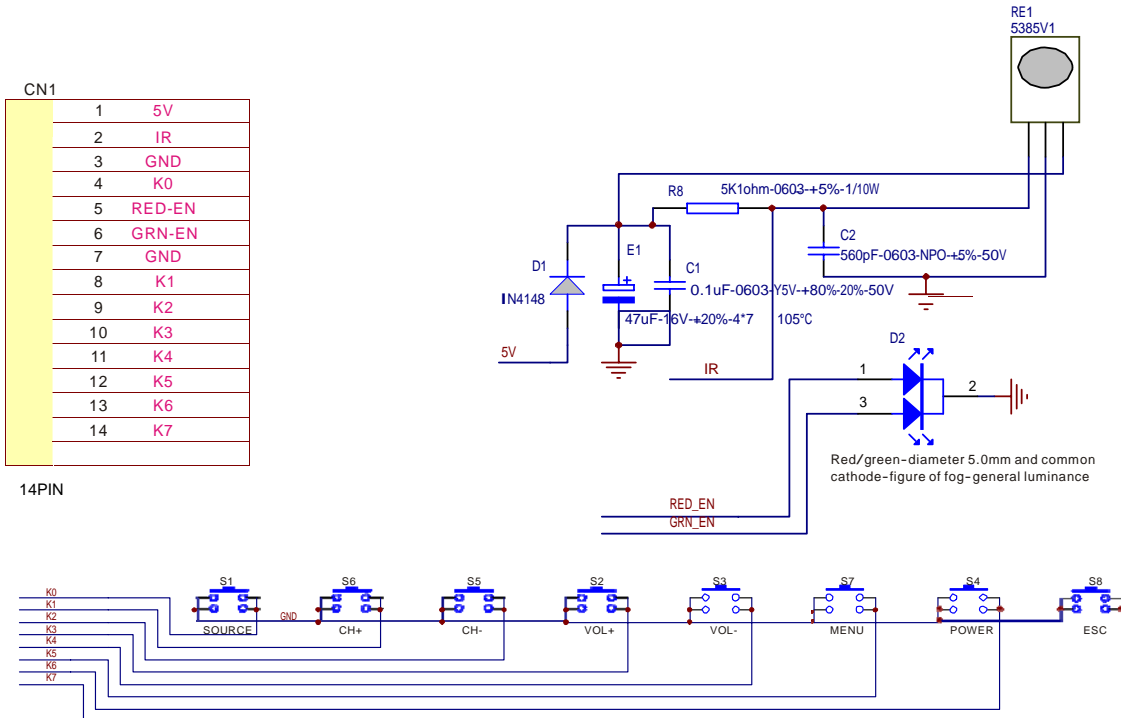
- ③ **Relative humidity: ≤ 80%.**
- ③ **Storage temperature: -10~+60 °C.**
- ③ **Operation temperature: 0~+40 °C.**
- ③ **Protect the control board from static, it may cause damage to the IC.**
- ③ **Disconnect the TV before the power supply of panel is connected correctly.**
- ③ **Do not drop any metal on the control board when it is working.**
- ③ **Do not push or pull the connector when the control board is working.**
- ③ **Do not disassemble the module.**
- ③ **If the surface or the control board is dirty, clean it with soft dry cloth.**
- ③ **Can't be pressed and distorted.**

5. PCB DIMENSION

The height of the control board is 20.0mm.



6. IR & KEYBOARD SCHEMATICS



7. INTERFACE DEFINITION

◆ (6PIN/2.0): INVERTER CONNECTOR

NO.	SYMBOL	DESCRIPTION	
1	12V	12V Power Supply for Inverter	INVERTER
2	12V		
3	BLON	Back-Light ON/OFF Control for Panel	
4	ADJ	Brightness Adjustment for Panel	
5	GND	Ground	
6	GND		

◆ (4PIN/2.0): SPEAKER CONNECTOR

NO.	SYMBOL	DESCRIPTION
1	LO	Audio left channel output
2	GND	Ground
3	GND	
4	RO	Audio right channel output

◆ (14PIN/2.0): IR & KEYBOARD & LED-INDICATOR

NO.	SYMBOL	DESCRIPTION
1	5V	+5V DC Power Output(for IR Receiver)
2	IR	IR Receiver
3	GND	Ground
4	K0	Key 0
5	LED-R	Red Indicator
6	LED-G	Green Indicator
7	GND	Ground
8	K1	Key 1
9	K2	Key 2
10	K3	Key 3
11	K4	Key 4
12	K5	Key 5
13	K6	Key 6
14	K7	Key 7

◆ **(2x 15PIN/2.0): PANEL CONNECTOR**

NO.	SYMBOL	DESCRIPTION
1	VSEL	Power for Panel
2	VSEL	
3	VSEL	
4	GND	Ground
5	GND	
6	GND	
7	RX00-	LVDS ODD 0- Signal
8	RX00+	LVDS ODD 0+ Signal
9	RX01-	LVDS ODD 1- Signal
10	RX01+	LVDS ODD 1+ Signal
11	RX02-	LVDS ODD 2- Signal
12	RX02+	LVDS ODD 2+ Signal
13	GND	Ground
14	GND	
15	RXOC-	LVDS ODD Clock- Signal
16	RXOC+	LVDS ODD Clock+ Signal
17	RX03-	LVDS ODD 3- Signal
18	RX03+	LVDS ODD 3+ Signal
19	RXE0-	LVDS EVEN 0- Signal
20	RXE0+	LVDS EVEN 0+ Signal
21	RXE1-	LVDS EVEN 1- Signal
22	RXE1+	LVDS EVEN 1+ Signal
23	RXE2-	LVDS EVEN 2- Signal
24	RXE2+	LVDS EVEN 2+ Signal
25	GND	Ground
26	GND	
27	RXEC-	LVDS EVEN Clock- Signal
28	RXEC+	LVDS EVEN Clock+ Signal
29	RXE3-	LVDS EVEN 3- Signal
30	RXE3+	LVDS EVEN 3+ Signal