

---

# REALTEK SINGLE CHIP FAST ETHERNET CONTROLLER WITH POWER MANAGEMENT RTL8139B(L)

---

## 1. Features:

- 128 pins QFP/LQFP
- Integrated Fast Ethernet MAC, Physical chip and transceiver in one chip
- 10 Mb/s and 100 Mb/s operation
- Supports 10 Mb/s and 100 Mb/s N-way Auto-negotiation operation
- PCI local bus single-chip Fast Ethernet controller
  - ✧ Compliant to PCI Revision 2.2
  - ✧ Supports PCI clock 16.75MHz-40MHz
  - ✧ Supports PCI target fast back-to-back transaction
  - ✧ Provides PCI bus master data transfers and PCI memory space or I/O space mapped data transfers of RTL8139B(L)'s operational registers
  - ✧ Supports PCI VPD (Vital Product Data)
  - ✧ Supports ACPI, PCI power management
  - ✧ The RTL8139BL works in 3.3V signaling environment mainly, and the RTL8139B is used in 5V signaling environment only. Both need 5-volt working voltage as power source.
- Supports CardBus. The CIS can be stored in 93C56 or expansion ROM
- Supports up to 128K bytes Boot ROM interface for both EPROM and Flash memory
- Supports 25MHz crystal or 50MHz OSC as the internal clock source. The frequency deviation of either crystal or OSC must be within 50 PPM.
- Supports Wake-On-LAN function and remote wake-up (Magic Packet\*, LinkChg and Microsoft® wake-up frame)
- Supports 4 Wake-On-LAN (WOL) signals (active high, active low, positive pulse, and negative pulse)
- Supports auxiliary power-on internal reset, to be ready for remote wake-up when main power still remains off
- Supports auxiliary power auto-detect, and sets the related capability of power management

registers in PCI configuration space.(only rev.F and successors)

- Includes a programmable, PCI burst size and early tx/rx threshold.
- Supports a 32-bit general-purpose timer with the external PCI clock as clock source, to generate timer-interrupt
- Contains two large (2Kbyte) independent receive and transmit FIFO's
- Advanced power saving mode when LAN function or wakeup function is not used
- Uses 93C46 (64\*16-bit EEPROM) or 93C56 (128\*16-bit EEPROM) to store resource configuration, ID parameter, and VPD data.

The 93C56 can also be used to store the CIS data structure for CardBus application.

- Supports LED pins for various network activity indications
- Supports digital and analog loopback capability on both ports
- Half/Full duplex capability
- Supports Full Duplex Flow Control (IEEE 802.3x)

\* Third-party brands and names are the property of their respective owners..

Note: The number of QFP package is RTL8139B. For the LQFP package, the number is RTL8139BL.

## 2. General Description

The Realtek RTL8139B(L) is a highly integrated and cost-effective single-chip Fast Ethernet controller that provides 32-bit performance, PCI bus master capability, and full compliance with IEEE 802.3u 100Base-T specifications and IEEE 802.3x Full Duplex Flow Control. It also supports Advanced Configuration Power management Interface (ACPI), PCI power management for modern operating systems that is capable of Operating System Directed Power Management (OSPM) to achieve the most efficient power management. The RTL8139BL is suitable for the applications of CardBus or mobile with built-in network controller. The CIS data can be stored in either 93C56 EEPROM or expansion ROM. The RTL8139B is suitable for 5V signaling environment only, such as modern Desktop environment.

Besides the ACPI feature, the RTL8139B(L) also supports remote wake-up (including Magic Packet\*, LinkChg, and Microsoft® wake-up frame) in both ACPI and APM environments. Especially, the RTL8139B(L) is capable of performing internal reset whenever there is (auxiliary) power applied to. Once the auxiliary power is on whereas the main power still remains off, the RTL8139B(L) is ready and is waiting for the Magic Packet\* or LinkChnage to wake the system up. Also, the LWAKE pin provides 4 different output signals including active high, active low, positive pulse, and negative pulse. The versatility of the RTL8139B(L) LWAKE pin satisfies all kinds of motherboards with Wake-On-LAN (WOL) function. The RTL8139B(L) also supports Analog Auto-Powerdown, that is, the analog part of the RTL8139B(L) can be shut down temporarily according to the user's requirement or when the RTL8139B(L) is in power down states with the wakeup function disabled. Besides, when the analog part is shut down and the IsolateB pin is low (i.e. the main power is off), then both the analog and digital parts stop functioning and the RTL8139B(L) will achieve the most power saving and consume extremely minor power. [The rev.F and successors of RTL8139B\(L\) also support aux. power auto-detect function, and will auto-configure related bits of their own PCI power management registers in PCI configuration space.](#)

The PCI Vital Product Data (VPD) is also supported to provide the information that uniquely identifies hardware (i.e., the RTL8139B(L) net card). The information may consist of part number, serial number, and other detailed information, and so on.

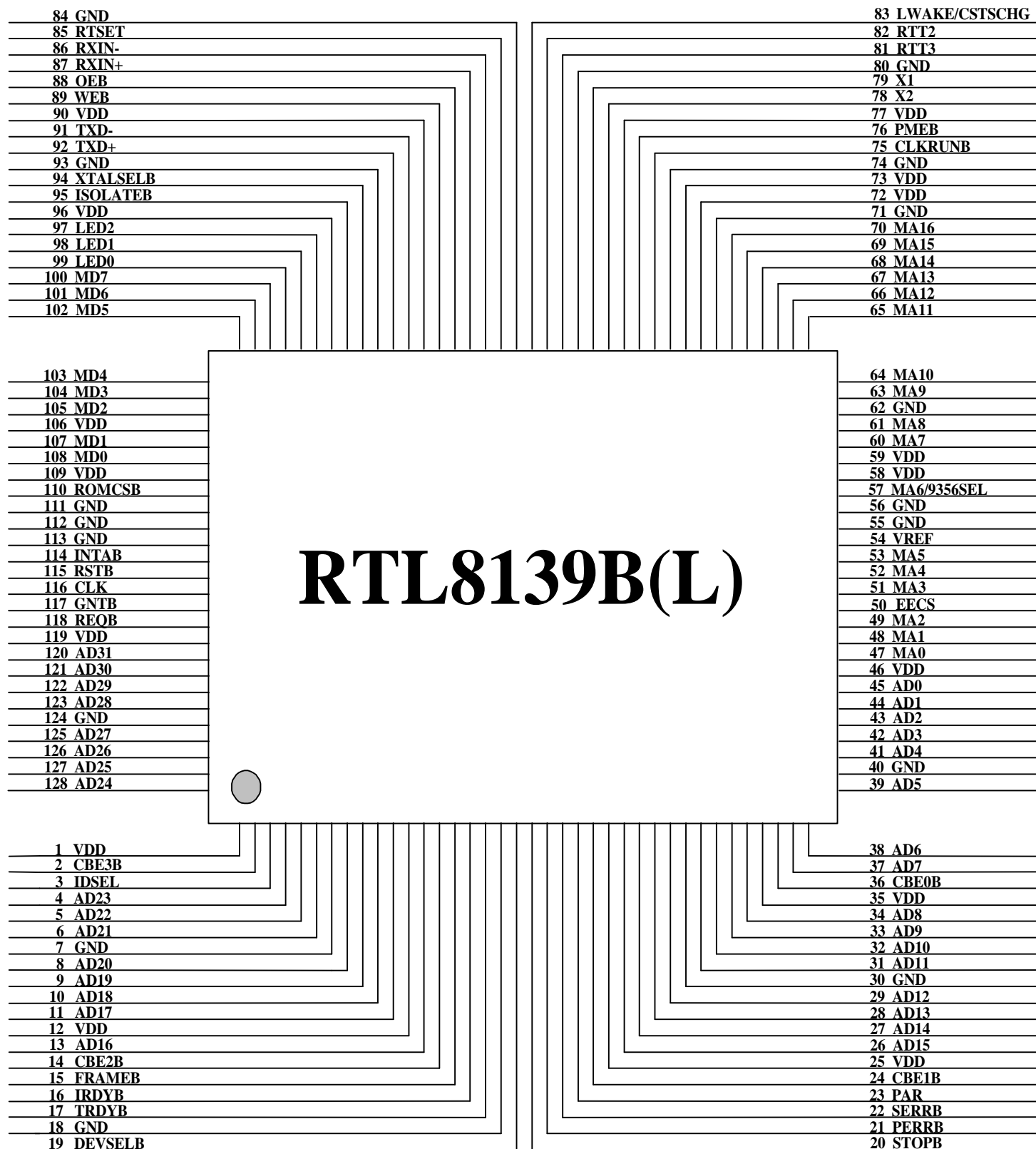
## **RTL8139B(L) Preliminary**

---

For sake of cost-down, the RTL8139B(L) is capable of applying 25MHz crystal as its internal clock source. The 50MHz OSC is still supported, too.

The RTL8139B(L) keeps network maintenance cost low and eliminates usage barriers. It is the easiest way to upgrade a network from 10 to 100Mbps. It also supports full-duplex operation, making possible 200Mbps of bandwidth at no additional cost. The RTL8139B(L) is highly integrated and requires no “glue” logic or external memory. It includes an interface for a boot ROM and can be used in diskless workstations, providing maximum network security and ease of management.

### 3. Pin Assignment



## 4. Pin Descriptions

### 4.1 Power Management/Isolation INTERFACE

Symbol	Type	Pin No	Description
PMEB (PME#)	O/D	76	Power Management Event: Open drain, active low. Used by the RTL8139B(L) to request a change in its current power management state and/or to indicate that a power management event has occurred.
ISOLATEB (ISOLATE#)	I	95	Isolate pin: Active low. Used to isolate RTL8139B(L) from the PCI bus. The RTL8139B(L) does not drive its PCI outputs (excluding PME#) and does not sample its PCI input (including RST# and PCICLK) as long as Isolate pin is asserted.
LWAKE/ CSTSCHG	O	83	<p>LAN WAKE-UP signal (When CardB_En=0, bit2 Config3): This signal is used to inform motherboard to execute wake-up process. The motherboard must support Wake-On-LAN (WOL). There are 4 choices of output, including active high, active low, positive pulse, and negative pulse, that may be asserted from the LWAKE pin. Please refer to LWACT bit in CONFIG1 register and LWPTN bit in CONFIG4 register for the setting of this output signal. The default output is an active high signal. Once there is a PME event having come in, the LWAKE and PME# assert at the same time when the LWPME (bit4, CONFIG4) is set to 0. If the LWPME is set to 1, the LWAKE asserts only when the PME# asserts and the ISOLATEB is low.</p> <p>CSTSCHG signal (When CardB_En=1, bit2 Config3): This signal is used in CardBus application only and is used to inform motherboard to execute wake-up process whenever there is PME event occurs. This is always an active high signal, the setting of LWACT (bit 4, Config1), LWPTN (bit2, Config4), and LWPME (bit4, Config4) means nothing in this case.</p> <p><a href="#">This pin is a 3.3V signaling output pin.</a></p>

### 4.2 PCI INTERFACE

Symbol	Type	Pin No	Description
AD31-0	T/S	120-123, 125-128, 4-6, 8-11, 13, 26-29, 31-34, 37-39, 41-45	PCI address and data multiplexed pins.
C/BE3-0	T/S	2, 14, 24, 36	PCI bus command and byte enables multiplexed pins.
CLK	I	116	Clock provides timing for all transactions on PCI and is input to PCI device.
CLKRUNB	I/O	75	Clock Run: This signal is used by RTL8139B(L) to request starting (or speeding up) the clock, CLK. CLKRUNB also indicates the clock status. For RTL8139B(L), CLKRUNB is an open drain output and also an input. The RTL8139B(L) requests the central resource to start, speed up, or maintain the interface clock by the assertion of CLKRUNB. For the host system, it is an S/T/S signal. The host system (central resource) is responsible for maintaining CLKRUNB asserted, and for driving it high to the negated (deasserted) state.
DEVSELB	S/T/S	19	Device Select: The RTL8139B(L) asserts this signal low when it recognizes its target address after FRAMEB is asserted. As a bus

## RTL8139B(L) Preliminary

			master, the RTL8139B(L) samples this signal to insure that a PCI target recognizes the destination address for the data transfer.
FRAMEB	S/T/S	15	Cycle Frame is driven by the current master to indicate the beginning and duration of an access. FRAMEB is asserted to indicate a bus transaction is beginning. While FRAMEB is asserted, data transfers continue. When FRAMEB is deasserted, the transaction is in the final data phase.
GNTB	I	117	Grant: This signal is asserted low to indicate to the RTL8139B(L) that the central arbiter has granted the ownership of the bus to the RTL8139B(L).
REQB	T/S	118	Request: The RTL8139B(L) will assert this signal low to request the ownership of the bus to the central arbiter.
IDSEL	I	3	Initialization Device Select is used as a chip-select during configuration read and write transactions.
INTAB	O/D	114	INTAB is used to request an interrupt.
IRDYB	S/T/S	16	Initiator Ready indicates the initiating agent's ability to complete the current data phase of the transaction.
TRDYB	S/T/S	17	Target Ready indicates the target agent's ability to complete the current phase of the transaction.
PAR	T/S	23	Parity is even parity across AD31-0 and C/BE3-0.
PERRB	S/T/S	21	Parity Error: When the RTL8139B(L) is the bus master and a parity error is detected, the RTL8139B(L) asserts both SERR bit in ISR and Configuration Space command bit 8 (SERRB enable). Next, it completes the current data burst transaction, then stops operation and resets itself. After the host clears the system error, the RTL8139B(L) continues its operation. When the RTL8139B(L) is the bus target and a parity error is detected, the RTL8139B(L) asserts this PERRB pin.
SERRB	O/D	22	System Error: If an address parity error is detected and Configuration Space Status register bit 15 (detected parity error) is enabled, RTL8139B(L) asserts both SERRB pin and bit 14 of Status register in Configuration Space.
STOPB	S/T/S	20	Stop: Indicates the current target is requesting the master to stop the current transaction.
RSTB	I	115	Reset: When RSTB is asserted low, the RTL8139B(L) performs internal system hardware reset. RSTB must be held for a minimum of 120 ns periods.

### 4.3 FLASH/EEPROM INTERFACE

Symbol	Type	Pin No	Description
MA16-3	O	70-63, 61, 60, 57, 53-51	Boot PROM address bus: These pins are used to access up to 128k-byte flash memory or EPROM.
MA8	I/O	61	Rev.D: Output pin as part of Boot PROM(or Flash) address bus, when Rd_Aux(bit0, Config4) is 0. Input pin as Aux. Power detect pin to detect if Aux. Power exists or not, when Rd_Aux(bit0, Config4) is set to 1. Besides connecting this pin to Boot PROM, it should be pulled high to the Aux. Power via a resistor to detect Aux. Power. If this pin is not pulled high to Aux. Power, the RTL8139B(L) can not detect if there is Aux. Power exists or not, but still can be waken up from ACPI D3cold or APM

MA6/9356SEL	I/O	57	<p>power-down, if aux. power is connected.</p> <p>Rev.F and successors:          Output pin as part of Boot PROM(or Flash) address bus after PCI reset.          Input pin as Aux. Power detect pin to detect if Aux. Power exists or not, when initial power-on or PCI reset is asserted. Besides connecting this pin to Boot PROM, it should be pulled high to the Aux. Power via a resistor to detect Aux. power. If this pin is not pulled high to Aux. Power, the RTL8139B(L) rev.F and successors assumes there is no Aux. power exists. To support wakeup from ACPI D3cold or APM power-down, this pin must be pulled high to aux. power via a resistor.</p> <p>When this pin is pulled high with a 10K<math>\Omega</math> [resistor, the 93C56 EEPROM is used to store the resource data and CIS for the RTL8139B(L). The RTL8139B(L) latches the status of this pin at power-up to determine what EEPROM(93C46 or 93C56) is used, afterwards, this pin is used as MA6.</p> <p>The MA2-0 pins are switched to EESK, EEDI, EEDO in 93C46 (93C56) programming or auto-load mode.</p>
MA2/EESK	O	49	<p>The MA2-0 pins are switched to EESK, EEDI, EEDO in 93C46 (93C56) programming or auto-load mode.</p>
MA1/EEDI	O	48	
MA0/EEDO	O, I	47	
EECS	O	50	93C46 (93C56) chip select
MD0-7	I/O	108, 107, 105-100	Boot PROM data bus
ROMCSB	O	110	ROM Chip Select: This is the chip select signal of the Boot PROM.
OEB	O	88	Output Enable: This enables the output buffer of the Boot PROM or Flash memory during a read operation.
WEB	O	89	Write Enable: This signal strobes data into the Flash memory during a write cycle.

## 4.4 POWER PINS

Symbol	Type	Pin No	Description
VDD	P	1, 12, 25, 35, 46, 58, 59, 72, 73, 77, 90, 96, 106, 109, 119	+5V
GND	P	7, 18, 30, 40, 55, 56, 62, 71, 74, 80, 84, 93, 111, 112, 113, 124	Ground

## 4.5 LED INTERFACE

Symbol	Type	Pin No	Description																				
LED0, 1, 2	O	99, 98, 97	LED pins <table border="1" data-bbox="738 1805 1449 1944"> <thead> <tr> <th>LEDS1-0</th> <th>00</th> <th>01</th> <th>10</th> <th>11</th> </tr> </thead> <tbody> <tr> <td>LED0</td> <td>TX/RX</td> <td>TX/RX</td> <td>TX</td> <td>TX</td> </tr> <tr> <td>LED1</td> <td>LINK100</td> <td>LINK10/100</td> <td>LINK10/100</td> <td>LINK100</td> </tr> <tr> <td>LED2</td> <td>LINK10</td> <td>FULL</td> <td>RX</td> <td>LINK10</td> </tr> </tbody> </table> <p>During power down mode, the LED's are OFF.</p>	LEDS1-0	00	01	10	11	LED0	TX/RX	TX/RX	TX	TX	LED1	LINK100	LINK10/100	LINK10/100	LINK100	LED2	LINK10	FULL	RX	LINK10
LEDS1-0	00	01	10	11																			
LED0	TX/RX	TX/RX	TX	TX																			
LED1	LINK100	LINK10/100	LINK10/100	LINK100																			
LED2	LINK10	FULL	RX	LINK10																			



## 4.6 ATTACHMENT UNIT INTERFACE

Symbol	Type	Pin No	Description
TXD+	O	92	100/10BASE-T transmit (Tx) data.
TXD-	O	91	
RXIN+	I	87	100/10BASE-T receive (Rx) data.
RXIN-	I	86	
X1	I	79	External 50 MHz oscillator input or 25 MHz crystal input.
X2	O	78	Crystal feedback output. This output is used in crystal connection only. It must be left open when X1 is driven with an external 50 MHz oscillator.
XTALSELB	I	94	This pin must be left open when 50 MHz oscillator is used. If 25 MHz crystal is used as the internal clock source, this pin must be pulled low via a 10K $\Omega$ resistor.

## 4.7 TEST AND THE OTHER PINS

Symbol	Type	Pin No	Description
VREF	I	54	For RTL8139BL to generate output 3.3V signaling on PCI interface, this pin must be pulled high to 3.3V. For RTL8139BL to work in a pure PCI 5V environment, this pin should be pulled high to 5V. Either in PCI 3.3V or 5V environment, the VREF pin of RTL8139BL should not be left open. The pull-high resistor is 10K $\Omega$ . For RTL8139B, this pin should be left open to work in PCI 5V signaling environment.
RTT2-3	TEST	81, 82	Chip test pins.
RTSET	I/O	85	This pin must pull low by 1.8K $\Omega$ resistor.

## 5. Register Descriptions

The RTL8139B(L) provides the following set of operational registers mapped into PCI memory space or I/O space.

Offset	R/W	Tag	Description
0000h	R/W	IDR0	ID Register 0, The ID register0-5 are only permitted to read/write by 4-byte access.
0001h	R/W	IDR1	ID Register 1
0002h	R/W	IDR2	ID Register 2
0003h	R/W	IDR3	ID Register 3
0004h	R/W	IDR4	ID Register 4
0005h	R/W	IDR5	ID Register 5
0006h-0007h	-	-	Reserved
0008h	R/W	MAR0	Multicast Register 0, The MAR register0-7 are only permitted to read/write by 4-byte access.
0009h	R/W	MAR1	Multicast Register 1
000Ah	R/W	MAR2	Multicast Register 2
000Bh	R/W	MAR3	Multicast Register 3
000Ch	R/W	MAR4	Multicast Register 4

000Dh	R/W	MAR5	Multicast Register 5
000Eh	R/W	MAR6	Multicast Register 6
000Fh	R/W	MAR7	Multicast Register 7
0010h-0013h	R/W	TSD0	Transmit Status of Descriptor 0
0014h-0017h	R/W	TSD1	Transmit Status of Descriptor 1
0018h-001Bh	R/W	TSD2	Transmit Status of Descriptor 2
001Ch-001Fh	R/W	TSD3	Transmit Status of Descriptor 3
0020h-0023h	R/W	TSAD0	Transmit Start Address of Descriptor0
0024h-0027h	R/W	TSAD1	Transmit Start Address of Descriptor1
0028h-002Bh	R/W	TSAD2	Transmit Start Address of Descriptor2
002Ch-002Fh	R/W	TSAD3	Transmit Start Address of Descriptor3
0030h-0033h	R/W	RBSTART	Receive (Rx) Buffer Start Address
0034h-0035h	R	ERBCR	Early Receive (Rx) Byte Count Register
0036h	R	ERSR	Early Rx Status Register
0037h	R/W	CR	Command Register
0038h-0039h	R/W	CAPR	Current Address of Packet Read
003Ah-003Bh	R	CBR	Current Buffer Address: The initial value is 0000h. It reflects total received byte-count in the rx buffer.
003Ch-003Dh	R/W	IMR	Interrupt Mask Register
003Eh-003Fh	R/W	ISR	Interrupt Status Register
0040h-0043h	R/W	TCR	Transmit (Tx) Configuration Register
0044h-0047h	R/W	RCR	Receive (Rx) Configuration Register
0048h-004Bh	R/W	TCTR	Timer CounT Register: This register contains a 32-bit general-purpose timer. Writing any value to this 32-bit register will reset the original timer and begin to count from zero.
004Ch-004Fh	R/W	MPC	Missed Packet Counter: Indicates the number of packets discarded due to rx FIFO overflow. It is a 24-bit counter. After s/w reset, MPC is cleared. Only the lower 3 bytes are valid. When written any value, MPC will be reset also.
0050h	R/W	9346CR	93C46 (93C56) Command Register
0051h	R/W	CONFIG0	Configuration Register 0
0052h	R/W	CONFIG1	Configuration Register 1
0053H	-	-	Reserved
0054h-0057h	R /W	TimerInt	Timer Interrupt Register. Once having written a nonzero value to this register, the Timeout bit of ISR register will be set whenever the TCTR reaches to this value. The Timeout bit will never be set as long as TimerInt register is zero.
0058h	R/W	MSR	Media Status Register
0059h	R/W	CONFIG3	Configuration register 3
005Ah	R/W	CONFIG4	Configuration register 4
005Bh	-	-	Reserved
005Ch-005Dh	R/W	MULINT	Multiple Interrupt Select
005Eh	R	RERID	PCI Revision ID = 10h.
005Fh	-	-	Reserved
0060h-0061h	R	TSAD	Transmit Status of All Descriptors
0062h-0063h	R/W	BMCR	Basic Mode Control Register
0064h-0065h	R	BMSR	Basic Mode Status Register
0066h-0067h	R/W	ANAR	Auto-Negotiation Advertisement Register
0068h-0069h	R	ANLPAR	Auto-Negotiation Link Partner Register
006Ah-006Bh	R	ANER	Auto-Negotiation Expansion Register
006Ch-006Dh	R	DIS	Disconnect Counter

006Eh-006Fh	R	FCSC	False Carrier Sense Counter
0070h-0071h	R/W	NWAYTR	N-way Test Register
0072h-0073h	R	REC	RX_ER Counter
0074h-0075h	R/W	CSCR	CS Configuration Register
0076-0077h	-	-	Reserved
0078h-007Bh	R/W	PHY1_PARM	PHY parameter 1
007Ch-007Fh	R/W	TW_PARM	Twister parameter
0080h	R/W	PHY2_PARM	PHY parameter 2
0081-0083h	-	-	Reserved
0084h	R/W	CRC0	Power Management CRC register0 for wakeup frame0
0085h	R/W	CRC1	Power Management CRC register1 for wakeup frame1
0086h	R/W	CRC2	Power Management CRC register2 for wakeup frame2
0087h	R/W	CRC3	Power Management CRC register3 for wakeup frame3
0088h	R/W	CRC4	Power Management CRC register4 for wakeup frame4
0089h	R/W	CRC5	Power Management CRC register5 for wakeup frame5
008Ah	R/W	CRC6	Power Management CRC register6 for wakeup frame6
008Bh	R/W	CRC7	Power Management CRC register7 for wakeup frame7
008Ch-0093h	R/W	Wakeup0	Power Management wakeup frame0 (64bit)
0094h-009Bh	R/W	Wakeup1	Power Management wakeup frame1 (64bit)
009Ch-00A3h	R/W	Wakeup2	Power Management wakeup frame2 (64bit)
00A4h-00ABh	R/W	Wakeup3	Power Management wakeup frame3 (64bit)
00ACh-00B3h	R/W	Wakeup4	Power Management wakeup frame4 (64bit)
00B4h-00BBh	R/W	Wakeup5	Power Management wakeup frame5 (64bit)
00BCh-00C3h	R/W	Wakeup6	Power Management wakeup frame6 (64bit)
00C4h-00CBh	R/W	Wakeup7	Power Management wakeup frame7 (64bit)
00CCh	R/W	LSBCRC0	LSB of the mask byte of wakeup frame0 within offset 12 to 75
00CDh	R/W	LSBCRC1	LSB of the mask byte of wakeup frame1 within offset 12 to 75
00CEh	R/W	LSBCRC2	LSB of the mask byte of wakeup frame2 within offset 12 to 75
00CFh	R/W	LSBCRC3	LSB of the mask byte of wakeup frame3 within offset 12 to 75
00D0h	R/W	LSBCRC4	LSB of the mask byte of wakeup frame4 within offset 12 to 75
00D1h	R/W	LSBCRC5	LSB of the mask byte of wakeup frame5 within offset 12 to 75
00D2h	R/W	LSBCRC6	LSB of the mask byte of wakeup frame6 within offset 12 to 75
00D3h	R/W	LSBCRC7	LSB of the mask byte of wakeup frame7 within offset 12 to 75
00D4h-00D7h	R/W	FLASH	Flash memory read/write register
00D8h	R/W	Config5	Configuration register 5(rev.F)/Reserved (rev.D)
00D9h-00EFh	-	-	Reserved
00F0h-00F3h	R/W	FER	Function Event Register (Cardbus only)
00F4h-00F7h	R/W	FEMR	Function Event Mask Register (CardBus only)
00F8h-00FBh	R	FPSR	Function Present State Register (CardBus only)
00FCh-00FFh	W	FFER	Function Force Event Register (CardBus only)

## 5.1 Receive Status Register in Rx packet header

Bit	R/W	Symbol	Description
15	R	MAR	Multicast Address Received: Set to 1 indicates that a multicast packet is received.
14	R	PAM	Physical Address Matched: Set to 1 indicates that the destination address of this packet matches the value written in ID registers.
13	R	BAR	Broadcast Address Received: Set to 1 indicates that a broadcast packet is received. BAR, MAR bit will not be set simultaneously.

12-6	-	-	Reserved
5	R	ISE	Invalid Symbol Error: (100BASE-TX only) An invalid symbol was encountered during the reception of this packet if this bit set to 1.
4	R	RUNT	Runt Packet Received: Set to 1 indicates that the received packet length is smaller than 64 bytes ( i.e. media header + data + CRC < 64 bytes )
3	R	LONG	Long Packet: Set to 1 indicates that the size of the received packet exceeds 4k bytes.
2	R	CRC	CRC Error: When set, indicates that a CRC error occurred on the received packet.
1	R	FAE	Frame Alignment Error: When set, indicates that a frame alignment error occurred on this received packet.
0	R	ROK	Receive OK: When set, indicates that a good packet is received.

## 5.2 Transmit Status Register (TSD0-3)(Offset 0010h-001Fh, R/W)

The read-only bits (CRS, TABT, OWC, CDH, NCC3-0, TOK, TUN) will be cleared by RTL8139B(L) when the Transmit Byte Count (bit12-0) in the corresponding Tx descriptor is written. It is not affected when software writes to these bits. These registers are only permitted to write by double-word access. After software reset, all bits except OWN bit are reset to "0".

Bit	R/W	Symbol	Description
31	R	CRS	Carrier Sense Lost: Set to 1 when the carrier is lost during transmitting a packet.
30	R	TABT	Transmit Abort: Set to 1 if the transmission of a packet was aborted. This bit is read only, writing to this bit is not affected.
29	R	OWC	Out of Window Collision: Set to 1 if the RTL8139B(L) encountered an "out of window" collision during the transmission of a packet.
28	R	CDH	CD Heart Beat: The same as RTL8029(AS). This bit is cleared in the 100 Mbps mode.
27-24	R	NCC3-0	Number of Collision Count: Indicates that the number of collisions encountered during the transmission of a packet.
23-22	-	-	Reserved
21-16	R/W	ERTXTH5-0	Early Tx Threshold: Specifies the threshold level in the Tx FIFO to begin the transmission. When the byte count of the data in the Tx FIFO reaches this level, (or the FIFO contains at least one complete packet) the RTL8139B(L) will transmit this packet. 000000 = 8 bytes These fields count from 000001 to 111111 in unit of 32 bytes. This threshold must be avoided from exceeding 2K byte.
15	R	TOK	Transmit OK: Set to 1 indicates that the transmission of a packet was completed successfully and no transmit underrun occurs.
14	R	TUN	Transmit FIFO Underrun: Set to 1 if the Tx FIFO was exhausted during the transmission of a packet. The RTL8139B(L) can re-transfer data if the Tx FIFO underruns and can also transmit the packet to the wire successfully even though the Tx FIFO underruns. That is, when TSD<TUN>=1, TSD<TOK>=0 and ISR<TOK>=1 (or ISR<TER>=1).
13	R/W	OWN	OWN: The RTL8139B(L) sets this bit to 1 when the Tx DMA operation of this descriptor was completed. The driver must set this bit to 0 when the Transmit Byte Count (bit0-12) is written. The default

			value is 1.
12-0	R/W	SIZE	Descriptor Size: The total size in bytes of the data in this descriptor. If the packet length is more than 1792 byte (0700h), the Tx queue will be invalid, i.e. the next descriptor will be written only after the OWN bit of that long packet's descriptor has been set.

### 5.3 ERSR: Early Rx Status Register (Offset 0036h, R)

Bit	R/W	Symbol	Description
7-4	-	-	Reserved
3	R	ERGood	Early Rx Good packet: This bit is set whenever a packet is completely received and the packet is good. This bit is cleared when writing 1 to it,
2	R	ERBad	Early Rx Bad packet: This bit is set whenever a packet is completely received and the packet is bad. Writing 1 will clear this bit.
1	R	EROVW	Early Rx OverWrite: This bit is set when the RTL8139B(L)'s local address pointer is equal to CAPR. In the early mode, this is different from buffer overflow. It happens that the RTL8139B(L) detected an Rx error and wanted to fill another packet data from the beginning address of that error packet. Writing 1 will clear this bit.
0	R	EROK	Early Rx OK: The power-on value is 0. It is set when the Rx byte count of the arriving packet exceeds the Rx threshold. After the whole packet is received, the RTL8139B(L) will set ROK or RER in ISR and clear this bit simultaneously. Setting this bit will invoke a ROK interrupt.

### 5.4 Command Register (Offset 0037h, R/W)

Bit	R/W	Symbol	Description
7-5	-	-	Reserved
4	R/W	RST	Reset: Setting to 1 forces the RTL8139B(L) to a software reset state which disables the transmitter and receiver, reinitializes the FIFOs, resets the system buffer pointer to the initial value (Tx buffer is at TSAD0, Rx buffer is empty). The values of IDR0-5 and MAR0-7 and PCI configuration space will have no changes. This bit is 1 during the reset operation, and is cleared to 0 by the RTL8139B(L) when the reset operation is complete.
3	R/W	RE	Receiver Enable
2	R/W	TE	Transmitter Enable
1	-	-	Reserved
0	R	BUFE	Buffer Empty: Rx Buffer Empty. There is no packet stored in the Rx buffer ring.

### 5.5 Interrupt Mask Register (Offset 003Ch-003Dh, R/W)

Bit	R/W	Symbol	Description
15	R/W	SERR	System Error Interrupt: 1 => Enable, 0 => Disable.
14	R/W	TimeOut	Time Out Interrupt: 1 => Enable, 0 => Disable.
13	R/W	LenChg	Cable Length Change Interrupt: 1 => Enable, 0 => Disable.

12-7	-	-	Reserved
6	R/W	FOVW	Rx FIFO Overflow Interrupt: 1 => Enable, 0 => Disable.
5	R/W	PUN/LinkChg	Packet Underrun/Link Change Interrupt: 1 => Enable, 0 => Disable.
4	R/W	RXOVW	Rx Buffer Overflow Interrupt: 1 => Enable, 0 => Disable.
3	R/W	TER	Transmit Error Interrupt: 1 => Enable, 0 => Disable.
2	R/W	TOK	Transmit OK Interrupt: 1 => Enable, 0 => Disable.
1	R/W	RER	Receive Error Interrupt: 1 => Enable, 0 => Disable.
0	R/W	ROK	Receive OK Interrupt: 1 => Enable, 0 => Disable.

## 5.6 Interrupt Status Register (Offset 003Eh-003Fh, R/W)

Bit	R/W	Symbol	Description
15	R/W	SERR	System Error: Set to 1 when the RTL8139B(L) signals a system error on the PCI bus.
14	R/W	TimeOut	Time Out: Set to 1 when the TCTR register reaches to the value of the TimerInt register.
13	R/W	LenChg	Cable Length Change: Cable length is changed after Receiver is enabled.
12 - 7	-	-	Reserved
6	R/W	FOVW	Rx FIFO Overflow
5	R/W	PUN/LinkChg	Packet Underrun/Link Change: Set to 1 when CAPR is written but Rx buffer is empty, or when link status is changed.
4	R/W	RXOVW	Rx Buffer Overflow: Set when receive (Rx) buffer ring storage resources have been exhausted.
3	R/W	TER	Transmit (Tx) Error: Indicates that a packet transmission was aborted, due to excessive collisions, according to the TXRR's setting
2	R/W	TOK	Transmit (Tx) OK: Indicates that a packet transmission is completed successfully.
1	R/W	RER	Receive (Rx) Error: Indicates that a packet has either CRC error or frame alignment error (FAE). The collided frame will not be recognized as CRC error if the length of this frame is shorter than 16 byte.
0	R/W	ROK	Receive (Rx) OK: In normal mode, indicates the successful completion of a packet reception. In early mode, indicates that the Rx byte count of the arriving packet exceeds the early Rx threshold.

## 5.7 Transmit Configuration Register (Offset 0040h-0043h, R/W)

Bit	R/W	Symbol	Description
31	-	-	Reserved
30-28	R	HWVER	Hardware Version number: 7 for RTL8139A and RTL8139B(L) 6 for RTL8139
27	R	BLID	RTL8139B(L) ID = 1
26	-	-	Reserved
25-24	R/W	IFG1, 0	Interframe Gap Time: This field allows the user to adjust the interframe gap time below the standard: 9.6 us for 10Mbps, 960 ns for 100Mbps. The time can be programmed from 9.6 us to 8.4 us (10Mbps) and 960ns to 840ns (100Mbps). Note that any value other than zero will violate the IEEE 802.3 standard. The formula for the inter frame gap is:

## RTL8139B(L) Preliminary

			10 Mbps 100 Mbps	8.4us + 0.4(IFG(1:0)) us 840ns + 40(IFG(1:0)) ns
23-19	-	-	Reserved	
18, 17	R/W	LBK1, LBK0	Loopback test. There will be no packet on the TX+/- lines under the Loopback test condition. The loopback function must be independent of the link state. 00 : normal operation 01 : MAC Loopback 10 : PHY Loopback 11 : Twister Loopback	
16	R/W	CRC	Append CRC: Setting to 1 means that there's no CRC appended at the end of a packet. Setting to 0 means that there's CRC appended at the end of a packet.	
15-11	-	-	Reserved	
10-8	R/W	MXDMA2, 1, 0	Max DMA Burst Size per Tx DMA Burst: This field sets the maximum size of transmit DMA data bursts according to the following table: 000 = 16 bytes 001 = 32 bytes 010 = 64 bytes 011 = 128 bytes 100 = 256 bytes 101 = 512 bytes 110 = 1024 bytes 111 = 2048 bytes	
7-4	R/W	TXRR	Tx Retry Count: These are used to specify additional transmission retries in multiple of 16(IEEE 802.3 CSMA/CD retry count). If the TXRR is set to 0, the transmitter will re-transmit 16 times before aborting due to excessive collisions. If the TXRR is set to a value greater than 0, the transmitter will re-transmit a number of times equals to the following formula before aborting: $\text{Total retries} = 16 + (\text{TXRR} * 16)$ The TER bit in the ISR register or transmit descriptor will be set when the transmission fails and reaches to this specified retry count.	
3-1	-	-	Reserved	
0	W	CLRABT	Clear Abort: Setting this bit to 1 causes the RTL8139B(L) to retransmit the packet at the last transmitted descriptor when this transmission was aborted, Setting this bit is only permitted in the transmit abort state.	

### 5.8 Receive Configuration Register (Offset 0044h-0047h, R/W)

Bit	R/W	Symbol	Description
31-28	-	-	Reserved
27-24	R/W	ERTH3, 2, 1, 0	Early Rx threshold bits: These bits are used to select the Rx threshold multiplier of the whole packet that has been transferred to the system buffer in early mode when the frame protocol is under the RTL8139B(L)'s definition. 0000 = no early rx threshold                      0001 = 1/16 0010 = 2/16                                              0011 = 3/16 0100 = 4/16                                              0101 = 5/16

## RTL8139B(L) Preliminary

			0110 = 6/16 1000 = 8/16 1010 = 10/16 1100 = 12/16 1110 = 14/16	0111 = 7/16 1001 = 9/16 1011 = 11/16 1101 = 13/16 1111 = 15/16
23-18	-	-	Reserved	
17	R/W	MulERINT	Multiple early interrupt select: When this bit is set, any received packet invokes early interrupt according to MULINT<MISR[11:0]> setting in early mode. When this bit is reset, the packets of familiar protocol (IPX, IP, NDIS, etc) invoke early interrupt according to RCR<ERTH[3:0]> setting in early mode. The packets of unfamiliar protocol will invoke early interrupt according to the setting of MULINT<MISR[11:0]>.	
16	R/W	RER8	The RTL8139B(L) receives the error packet whose length is larger than 8 bytes after setting the RER8 bit to 1. The RTL8139B(L) receives the error packet larger than 64-byte long when the RER8 bit is cleared. The power-on default is zero. If AER or AR is set, the RER will be set when the RTL8139B(L) receives an error packet whose length is larger than 8 bytes. The RER8 is "Don't care" in this situation.	
15-13	R/W	RXFTH2, 1, 0	Rx FIFO Threshold: Specifies Rx FIFO Threshold level. When the number of the received data bytes from a packet, which is being received into the RTL8139B(L)'s Rx FIFO, has reached to this level (or the FIFO has contained a complete packet), the receive PCI bus master function will begin to transfer the data from the FIFO to the host memory. This field sets the threshold level according to the following table: 000 = 16 bytes 001 = 32 bytes 010 = 64 bytes 011 = 128 bytes 100 = 256 bytes 101 = 512 bytes 110 = 1024 bytes 111 = no rx threshold. The RTL8139B(L) begins the transfer of data after having received a whole packet in the FIFO.	
12-11	R/W	RBLN1, 0	Rx Buffer Length: This field indicates the size of the Rx ring buffer. 00 = 8k + 16 byte 01 = 16k + 16 byte 10 = 32K + 16 byte 11 = 64K + 16 byte	
10-8	R/W	MXDMA2, 1, 0	Max DMA Burst Size per Rx DMA Burst: This field sets the maximum size of the receive DMA data bursts according to the Following table: 000 = 16 bytes 001 = 32 bytes 010 = 64 bytes 011 = 128 bytes 100 = 256 bytes 101 = 512 bytes 110 = 1024 bytes 111 = unlimited	
7	R/W	WRAP	When set to 0: The RTL8139B(L) will transfer the rest of the packet	



			<p>data into the beginning of the Rx buffer if this packet has not been completely moved into the Rx buffer and the transfer has arrived at the end of the Rx buffer.</p> <p>When set to 1: The RTL8139B(L) will keep moving the rest of the packet data into the memory immediately after the end of the Rx buffer, if this packet has not been completely moved into the Rx buffer and the transfer has arrived at the end of the Rx buffer. The software driver must reserve at least 1.5K bytes buffer to accept the remainder of the packet. We assume that the remainder of the packet is X bytes. The next packet will be moved into the memory from the X byte offset at the top of the Rx buffer.</p> <p>This bit is invalid when Rx buffer is selected to 64K bytes.</p>
6	R	9356SEL	<p>This bit reflects what type of EEPROM is used.</p> <p>1: The EEPROM used is 9356.</p> <p>0: The EEPROM used is 9346.</p>
5	R/W	AER	<p>Accept Error Packet: When set to 1, all packets with CRC error, alignment error, and/or collided fragments will be accepted. When set to 0, all packets with CRC error, alignment error, and/or collided fragments will be rejected.</p>
4	R/W	AR	<p>Accept Runt: This bit allows the receiver to accept packets that are smaller than 64 bytes. The packet must be at least 8 bytes long to be accepted as a runt. Set to 1 to accept runt packets.</p>
3	R/W	AB	<p>Set to 1 to accept broadcast packets, 0 to reject.</p>
2	R/W	AM	<p>Set to 1 to accept multicast packets, 0 to reject.</p>
1	R/W	APM	<p>Set to 1 to accept physical match packets, 0 to reject.</p>
0	R/W	AAP	<p>Set to 1 to accept all packets with physical destination address, 0 to reject.</p>

## 5.9 9346CR: 93C46 (93C56) Command Register (Offset 0050h, R/W)

Bit	R/W	Symbol	Description															
7-6	R/W	EEM1-0	<p>These 2 bits select the RTL8139B(L) operating mode.</p> <table border="1"> <thead> <tr> <th>EEM1</th> <th>EEM0</th> <th>Operating Mode</th> </tr> </thead> <tbody> <tr> <td>0</td> <td>0</td> <td>Normal (RTL8139B(L) network/host communication mode)</td> </tr> <tr> <td>0</td> <td>1</td> <td>Auto-load: Entering this mode will make the RTL8139B(L) load the contents of 93C46 (93C56) like when the RSTB signal is asserted. This auto-load operation will take about 2 ms. After it is completed, the RTL8139B(L) goes back to the normal mode automatically (EEM1 = EEM0 = 0) and all the other registers are reset to default values.</td> </tr> <tr> <td>1</td> <td>0</td> <td>93C46 (93C56) programming: In this mode, both network and host bus master operations are disabled. The 93C46 (93C56) can be directly accessed via bit3-0 which now reflect the states of EECS, EESK, EEDI, &amp; EEDO pins respectively.</td> </tr> <tr> <td>1</td> <td>1</td> <td>Config register write enable: Before writing to CONFIG0, 1, 3, 4 registers, and bit13, 12, 8 of BMCR(offset 62h-63h), the RTL8139B(L) must be placed in this mode. This will prevent RTL8139B(L)'s configurations from accidental change.</td> </tr> </tbody> </table>	EEM1	EEM0	Operating Mode	0	0	Normal (RTL8139B(L) network/host communication mode)	0	1	Auto-load: Entering this mode will make the RTL8139B(L) load the contents of 93C46 (93C56) like when the RSTB signal is asserted. This auto-load operation will take about 2 ms. After it is completed, the RTL8139B(L) goes back to the normal mode automatically (EEM1 = EEM0 = 0) and all the other registers are reset to default values.	1	0	93C46 (93C56) programming: In this mode, both network and host bus master operations are disabled. The 93C46 (93C56) can be directly accessed via bit3-0 which now reflect the states of EECS, EESK, EEDI, & EEDO pins respectively.	1	1	Config register write enable: Before writing to CONFIG0, 1, 3, 4 registers, and bit13, 12, 8 of BMCR(offset 62h-63h), the RTL8139B(L) must be placed in this mode. This will prevent RTL8139B(L)'s configurations from accidental change.
EEM1	EEM0	Operating Mode																
0	0	Normal (RTL8139B(L) network/host communication mode)																
0	1	Auto-load: Entering this mode will make the RTL8139B(L) load the contents of 93C46 (93C56) like when the RSTB signal is asserted. This auto-load operation will take about 2 ms. After it is completed, the RTL8139B(L) goes back to the normal mode automatically (EEM1 = EEM0 = 0) and all the other registers are reset to default values.																
1	0	93C46 (93C56) programming: In this mode, both network and host bus master operations are disabled. The 93C46 (93C56) can be directly accessed via bit3-0 which now reflect the states of EECS, EESK, EEDI, & EEDO pins respectively.																
1	1	Config register write enable: Before writing to CONFIG0, 1, 3, 4 registers, and bit13, 12, 8 of BMCR(offset 62h-63h), the RTL8139B(L) must be placed in this mode. This will prevent RTL8139B(L)'s configurations from accidental change.																

4-5	-	-	Reserved
3	R/W	EECS	These bits reflect the state of EECS, EESK, EEDI & EEDO pins in auto-load or 93C46 (93C56) programming mode and are valid only when Flash bit is cleared. Note: EESK, EEDI and EEDO is valid after boot ROM complete.
2	R/W	EESK	
1	R/W	EEDI	
0	R	EEDO	

## 5.10 CONFIG 0: Configuration Register 0 (Offset 0051h, R/W)

Bit	R/W	Symbol	Description																																				
7	R	SCR	Scrambler Mode: Always 0.																																				
6	R	PCS	PCS Mode: Always 0.																																				
5	R	T10	10 Mbps Mode: Always 0.																																				
4-3	R	PL1, PL0	Select 10 Mbps medium type: Always (PL1, PL0) = (1, 0)																																				
2-0	R	BS2, BS1, BS0	Select Boot ROM size <table border="1" data-bbox="721 846 1449 1176"> <thead> <tr> <th>BS2</th> <th>BS1</th> <th>BS0</th> <th>Description</th> </tr> </thead> <tbody> <tr> <td>0</td> <td>0</td> <td>0</td> <td>No Boot ROM</td> </tr> <tr> <td>0</td> <td>0</td> <td>1</td> <td>8K Boot ROM</td> </tr> <tr> <td>0</td> <td>1</td> <td>0</td> <td>16K Boot ROM</td> </tr> <tr> <td>0</td> <td>1</td> <td>1</td> <td>32K Boot ROM</td> </tr> <tr> <td>1</td> <td>0</td> <td>0</td> <td>64K Boot ROM</td> </tr> <tr> <td>1</td> <td>0</td> <td>1</td> <td>128K Boot ROM</td> </tr> <tr> <td>1</td> <td>1</td> <td>0</td> <td>unused</td> </tr> <tr> <td>1</td> <td>1</td> <td>1</td> <td>unused</td> </tr> </tbody> </table>	BS2	BS1	BS0	Description	0	0	0	No Boot ROM	0	0	1	8K Boot ROM	0	1	0	16K Boot ROM	0	1	1	32K Boot ROM	1	0	0	64K Boot ROM	1	0	1	128K Boot ROM	1	1	0	unused	1	1	1	unused
BS2	BS1	BS0	Description																																				
0	0	0	No Boot ROM																																				
0	0	1	8K Boot ROM																																				
0	1	0	16K Boot ROM																																				
0	1	1	32K Boot ROM																																				
1	0	0	64K Boot ROM																																				
1	0	1	128K Boot ROM																																				
1	1	0	unused																																				
1	1	1	unused																																				

## 5.11 CONFIG 1: Configuration Register 1 (Offset 0052h, R/W)

Bit	R/W	Symbol	Description													
7-6	R/W	LEDS1-0	Refer to LED PIN definition. These bits initial value com from 93C46/93C56.													
5	R/W	DVRLOAD	Driver Load: Software maybe use this bit to make sure that the driver has been loaded. Writing 1 is 1. Writing 0 is 0. When the command register bits IOEN, MEMEN, BMEN of PCI configuration space are written, the RTL8139B(L) will clear this bit automatically.													
4	R/W	LWACT	<p>LWAKE active mode: The LWACT bit and LWPTN bit in CONFIG4 register are used to program the LWAKE pin's output signal. According to the combination of these two bits, there may be 4 choices of LWAKE signal, i.e., active high, active low, positive (high) pulse, and negative (low) pulse. The output pulse width is about 150 ms. In CardBus application, the LWACT and LWPTN have no meaning.</p> <p>The default value of each of these two bits is 0, i.e., the default output signal of LWAKE pin is an active high signal.</p> <table border="1" data-bbox="673 1809 1433 1980"> <thead> <tr> <th colspan="2" rowspan="2">LWAKE output</th> <th colspan="2">LWACT</th> </tr> <tr> <th>0</th> <th>1</th> </tr> </thead> <tbody> <tr> <th rowspan="2">LWPTN</th> <td>0</td> <td>Active high*</td> <td>Active low</td> </tr> <tr> <td>1</td> <td>Positive pulse</td> <td>Negative pulse</td> </tr> </tbody> </table> <p>* Default value.</p>	LWAKE output		LWACT		0	1	LWPTN	0	Active high*	Active low	1	Positive pulse	Negative pulse
LWAKE output		LWACT														
		0	1													
LWPTN	0	Active high*	Active low													
	1	Positive pulse	Negative pulse													
3	R	MEMMAP	Memory Mapping: The operational registers are mapped into PCI memory													

			space.						
2	R	IOMAP	I/O Mapping: The operational registers are mapped into PCI I/O space.						
1	R/W	VPD	Set to enable Vital Product Data. The VPD data is stored in 93C46 or 93C56 from within offset 40h-7Fh.						
0	R/W	PMEn	<p>Power Management Enable</p> <p>Writable only when 93C46CR register EEM1=EEM0=1</p> <p>Let A denote the New_Cap bit (bit 4 of the Status Register) in the PCI Configuration space offset 06H.</p> <p>Let B denote the Cap_Ptr register in the PCI Configuration space offset 34H.</p> <p>Let C denote the Cap_ID (power management) register in the PCI Configuration space offset 50H.</p> <p>Let D denote the power management registers in the PCI Configuration space offset from 52H to 57H.</p> <p>Let E denote the Next_Ptr (power management) register in the PCI Configuration space offset 51H.</p> <table border="1" style="margin-left: 20px;"> <thead> <tr> <th>PMEn</th> <th>Description</th> </tr> </thead> <tbody> <tr> <td>0</td> <td>A=B=C=E=0, D not valid</td> </tr> <tr> <td>1</td> <td>A=1, B=50h, C=01h, D valid, E=0</td> </tr> </tbody> </table>	PMEn	Description	0	A=B=C=E=0, D not valid	1	A=1, B=50h, C=01h, D valid, E=0
PMEn	Description								
0	A=B=C=E=0, D not valid								
1	A=1, B=50h, C=01h, D valid, E=0								

## 5.12 Media Status Register (Offset 0058h, R/W)

Bit	R/W	Symbol	Description																		
7	R/W	TXFCE/ LdTXFCE	<p>Tx Flow Control Enable: The flow control is valid in full-duplex mode only. This register's default value comes from 93C46 (93C56).</p> <table border="1" style="margin-left: 20px;"> <thead> <tr> <th>RTL8139B(L)</th> <th>Remote</th> <th>TXFCE/LdTXFCE</th> </tr> </thead> <tbody> <tr> <td>ANE = 1</td> <td>NWAY FLY mode</td> <td>R/O</td> </tr> <tr> <td>ANE = 1</td> <td>NWAY mode only</td> <td>R/W</td> </tr> <tr> <td>ANE = 1</td> <td>No NWAY</td> <td>R/W</td> </tr> <tr> <td>ANE = 0 &amp; full-duplex mode</td> <td>-</td> <td>R/W</td> </tr> <tr> <td>ANE = 0 &amp; half-duplex mode</td> <td>-</td> <td>invalid</td> </tr> </tbody> </table> <p>NWAY FLY mode : NWAY with flow controo capability            NWAY mode only : NWAY without flow control capability</p>	RTL8139B(L)	Remote	TXFCE/LdTXFCE	ANE = 1	NWAY FLY mode	R/O	ANE = 1	NWAY mode only	R/W	ANE = 1	No NWAY	R/W	ANE = 0 & full-duplex mode	-	R/W	ANE = 0 & half-duplex mode	-	invalid
RTL8139B(L)	Remote	TXFCE/LdTXFCE																			
ANE = 1	NWAY FLY mode	R/O																			
ANE = 1	NWAY mode only	R/W																			
ANE = 1	No NWAY	R/W																			
ANE = 0 & full-duplex mode	-	R/W																			
ANE = 0 & half-duplex mode	-	invalid																			
6	R/W	RXFCE	RX Flow control Enable: The flow control is enabled in full-duplex mode only. The default value comes from 93C46 (93C56).																		
5	-	-	Reserved																		
4	R	Aux_Status	<p>Aux. Power present Status:</p> <p>1: The Aux. Power is present.</p> <p>0: The Aux. Power is absent.</p> <p><i>For rev.D, this bit is valid only when Rd_Aux (bit0, Config4) is set to 1.</i></p> <p><i>For rev.F and successors, there is no need to set Rd_Aux bit. The value of this bit is fixed after each PCI reset.</i></p>																		
3	R	SPEED_10	Set, when current media is 10 Mbps mode. Reset, when current media is 100 Mbps mode.																		
2	R	LINKB	Inverse of Link status. 0 = Link OK. 1 = Link Fail.																		
1	R	TXPF	Set, when RTL8139B(L) sends pause packet. Reset, when RTL8139B(L) sends timer done packet.																		

0	R	RXPF	Pause Flag: Set, when RTL8139B(L) is in backoff state because a pause packet received. Reset, when pause state is clear.
---	---	------	--------------------------------------------------------------------------------------------------------------------------

### 5.13 CONFIG 3: Configuration Register3 (Offset 0059h, R/W)

Bit	R/W	Symbol	Description
7	R	GNTSel	Gnt Select: Select the Frame's asserted time after the Grant signal has been asserted. The Frame and Grant are the PCI signals. 0: No delay 1: delay one clock from GNT assertion.
6	R/W	PARAM_En	Parameter Enable: (These parameters are used in 100Mbps mode.) Setting to 0 and 9346CR register EEM1=EEM0=1 enable the PHY1_PARM, PHY2_PARM, TW_PARM be written via software. Setting to 1 will allow parameters auto-loaded from 93C46 (93C56) and disable writing to PHY1_PARM, PHY2_PARM and TW_PARM registers via software. The PHY1_PARM and PHY2_PARM can be auto-loaded from EEPROM in this mode. The TW_PARM parameter can also be auto-loaded when the PARAM_En2 (bit1, Config4) is set to 0. Once the PARAM_En2 is set to 1, the value of TW_PARM is determined by the twister parameter auto-scan mechanism of the RTL8139B(L). Please refer to PARAM_En2 bit in CONFIG4. The parameter auto-load process is executed every time when the Link is ok in 100Mbps mode.
5	R/W	Magic	Magic Packet*: This bit is valid when the PWEn bit of CONFIG1 register is set. The RTL8139B(L) will assert the PME_B signal to wakeup the operating system when the Magic Packet* is received. Once the RTL8139B(L) has been enabled for Magic Packet* wakeup and has been put into adequate state, it scans all incoming packets addressed to the node for a specific data sequence, which indicates to the controller that this is a Magic Packet* frame. A Magic Packet* frame must also meet the basic requirements: Destination address + Source address + data + CRC The destination address may be the node ID of the receiving station or a multicast address, which includes the broadcast address. The specific sequence consists of 16 duplications of 6 byte ID registers, with no breaks or interrupts. This sequence can be located anywhere within the packet, but must be preceded by a synchronization stream, 6 bytes of FFh. The device will also accept a multicast address, as long as the 16 duplications of the IEEE address match the address of the ID registers. If the Node ID is 11h 22h 33h 44h 55h 66h, then the magic frame's format is like the following: Destination address + source address + MISC + FF FF FF FF FF FF + MISC + 11 22 33 44 55 66 + 11 22 33 44 55 66 + 11 22 33 44 55 66 + 11 22 33 44 55 66 + 11 22 33 44 55 66 + 11 22 33 44 55 66 + 11 22 33 44 55 66 + 11 22 33 44 55 66 + 11 22 33 44 55 66 + 11 22 33 44 55 66 + 11 22 33 44 55 66 + 11 22 33 44 55 66 + 11 22 33 44 55 66 + 11 22 33 44 55 66 + 11 22 33 44 55 66 + 11 22 33 44 55 66 + 11 22 33 44 55 66 + MISC + CRC
4	R/W	LinkUp	Link Up: This bit is valid when the PWEn bit of CONFIG1 register is set. The

			RTL8139B(L), in adequate power state, will assert the PMEB signal to wakeup the operating system when the cable connection is re-established.
3	R	CardB_En	Card Bus Enable: Set to 1 to enable CardBus related registers and functions. Set to 0 to disable CardBus related registers and functions.
2	R	CLKRUN_En	CLKRUN Enable: Set to 1 to enable CLKRUN. Set to 0 to disable CLKRUN.
1	R	FuncRegEn	Functions Registers Enable (CardBus only): Set to 1 to enable the 4 Function Registers (Function Event Register, Function Event Mask Register, Function Present State Register, and Function Force Event Register) for CardBus application. Set to 0 to disable the 4 Function Registers for CardBus application.
0	R	FBtBEn	Fast Back to Back Enable; Set to 1 to enable Fast Back to Back.

## 5.14 CONFIG 4: Configuration Register4 (Offset 005Ah, R/W)

Bit	R/W	Symbol	Description
7	R/W	RxFIFOAutoClr	Set to 1, the RTL8139B(L) will clear Rx FIFO overflow automatically.
6	R/W	AnaOff	Analog Power Off: This bit can not be auto-loaded from EEPROM (9346 or 9356). 0: Normal working state. This is also power-on default value. 1: Turn off the analog power of the RTL8139B(L) internally.
5	R/W	LongWF	Long Wake-up Frame: Set to 0: The RTL8139B(L) supports up to 8 wake-up frames, each with masked bytes selected from offset 12 to 75. Set to 1: The RTL8139B(L) supports up to 5 wake-up frames. The wake-up frame 0 and 1 are the same as above, the wake-up frame 2 and 3 are merged into one long wake-up frame respectively with masked bytes selected from offset 12 to 139. The wake-up frame 4 and 5, 6 and 7 are merged respectively into another 2 long wake-up frames. Please refer to 7.4 PCI Power Management functions for detailed description.
4	R/W	LWPME	LANWAKE vs PMEB: Set to 0: The LWAKE and PMEB are asserted at the same time. Set to 1: The LWAKE can only be asserted when the PMEB is asserted and the ISOLATEB is low. In CardBus application, this bit has no meaning.
3	R/W	MSWFB	Microsoft® Wake-up Frame: This bit is valid when the PWEn bit of CONFIG1 register is set. Set to 0: The RTL8139B(L) supports Microsoft® Wake-up Frame. Set to 1: Disable Wake-up Frame support. P.s.: This bit does not participate in EEPROM auto-load process. The initial power-on value is 1, i.e. Wakeup Frame is not supported at initial power-on. Driver is responsible to enable Wakeup Frame support. This bit is no longer supported by rev.F. For rev.F, Wakeup Frame support is disabled at power-on. Once a set of Wakeup Frame mask byte registers is written by software, that set of Wakeup Frame is enabled automatically by rev.F.
2	R/W	LWPTN	LWAKE pattern: Please refer to LWACT bit in CONFIG1 register.

1	R/W	PARM_En2	<p>Parameter Enable2: This bit is valid only when the PARM_En(bit6, Config1) is set to 1.</p> <p>Set to 0: The value of TW_PARM is auto-loaded from EEPROM directly.</p> <p>Set to 1: The value of TW_PARM is determined by twister parameter auto-scan mechanism of the RTL8139B(L), each time when Link is ok in 100Mbps mode. The twister parameters used by auto-scan mechanism are built-in in the RTL8139B(L).</p>
0	R/W	Rd_Aux	<p><b>Rev.D:</b></p> <p><b>Read Aux. Power Status Command:</b></p> <p>Reset to 0: Normal operation.</p> <p>Set to 1: MA8 is used as an input pin to detect if Aux. Power exists or not. The Aux. Power present status is reflected to Aux_Status bit (bit4, MSR). The Aux_Status is valid only when Rd_Aux is set to 1. After detecting Aux. Power, the Rd_Aux bit should be reset to 0 to continue normal operation of MA8 pin.</p> <p><b>Rev.F and successors:</b></p> <p>This bit is reserved. Read/Write to this bit is meaningless.</p>

## 5.15 Multiple Interrupt Select Register (Offset 005Ch-005Dh, R/W)

If the received packet data is not the familiar protocol (IPX, IP, NDIS, etc.) to RTL8139B(L), RCR<ERTH[3:0]> won't be used to transfer data in early mode. This register will be written to the received data length in order to make early rx interrupt for the unfamiliar protocol.

Bit	R/W	Symbol	Description
15-12	-	-	Reserved
11-0	R/W	MISR11-0	<p>Multiple Interrupt Select: Indicates that the RTL8139B(L) makes an rx interrupt after RTL8139B(L) has transferred the byte data into the system memory. If the value of these bits is zero, there will be no early interrupt as soon as the RTL8139B(L) prepares to execute the first PCI transaction of the received data. Bit1, 0 must be zero.</p> <p>The ERTH3-0 bits should not be set to 0 when the multiple interrupt select register is used.</p>

- The above is true when MulERINT=0 (bit17, RCR). When MulERINT=1, any received packet invokes early interrupt according to MISR[11:0] setting in early mode.

## 5.16 PCI Revision ID (Offset 005Eh, R)

Bit	R/W	Symbol	Description
7-0	R	Revision ID	The value in PCI Configuration Space offset 08h is 10h.

## 5.17 Transmit Status of All Descriptors (TSAD) Register (Offset 0060h-0061h, R/W)

Bit	R/W	Symbol	Description
-----	-----	--------	-------------

15	R	TOK3	TOK bit of Descriptor 3
14	R	TOK2	TOK bit of Descriptor 2
13	R	TOK1	TOK bit of Descriptor 1
12	R	TOK0	TOK bit of Descriptor 0
11	R	TUN3	TUN bit of Descriptor 3
10	R	TUN2	TUN bit of Descriptor 2
9	R	TUN1	TUN bit of Descriptor 1
8	R	TUN0	TUN bit of Descriptor 0
7	R	TABT3	TABT bit of Descriptor 3
6	R	TABT2	TABT bit of Descriptor 2
5	R	TABT1	TABT bit of Descriptor 1
4	R	TABT0	TABT bit of Descriptor 0
3	R	OWN3	OWN bit of Descriptor 3
2	R	OWN2	OWN bit of Descriptor 2
1	R	OWN1	OWN bit of Descriptor 1
0	R	OWN0	OWN bit of Descriptor 0

### 5.18 Basic Mode Control Register (Offset 0062h-0063h, R/W)

Bit	Name	Description/Usage	Default/Attribute
15	Reset	This bit sets the status and control registers of the PHY(register 0062-0074H) in a default state. This bit is self-clearing. 1 = software reset; 0 = normal operation.	0, RW
14	-	Reserved	-
13	Spd_Set	This bit sets the network speed. 1 = 100Mbps; 0 = 10Mbps. This bit's initial value comes from 93C46 (93C56).	0, RW
12	Auto Negotiation Enable (ANE)	This bit enables/disables the NWay auto-negotiation function. Set to 1 to enable auto-negotiation, bit13 will be ignored. Set to 0 disables auto-negotiation, bit13 and bit8 will determine the link speed and the data transfer mode, respectively. This bit's initial value comes from 93C46 (93C56).	0, RW
11-10	-	Reserved	-
9	Restart Auto Negotiation	This bit allows the NWay auto-negotiation function to be reset. 1 = re-start auto-negotiation; 0 = normal operation.	0, RW
8	Duplex Mode	This bit sets the duplex mode. 1 = full-duplex; 0 = normal operation. This bit's initial value comes from 93C46 (93C56). If bit12 = 1, read = status write = register value. If bit12 = 0, read = write = register value.	0, RW
7-0	-	Reserved	-

### 5.19 Basic Mode Status Register (Offset 0064h-0065h, R)

Bit	Name	Description/Usage	Default/Attribute
15	100Base-T4	1 = enable 100Base-T4 support; 0 = suppress 100Base-T4 support.	0, RO
14	100Base_TX_FD	1 = enable 100Base-TX full duplex support; 0 = suppress 100Base-TX full duplex support.	1, RO

13	100BASE_TX_H D	1 = enable 100Base-TX half-duplex support; 0 = suppress 100Base-TX half-duplex support.	1, RO
12	10Base_T_FD	1 = enable 10Base-T full duplex support; 0 = suppress 10Base-T full duplex support.	1, RO
11	10_Base_T_HD	1 = enable 10Base-T half-duplex support; 0 = suppress 10Base-T half-duplex support.	1, RO
10-6	-	Reserved	-
5	Auto Negotiation Complete	1 = auto-negotiation process completed; 0 = auto-negotiation process not completed.	0, RO
4	Remote Fault	1 = remote fault condition detected (cleared on read); 0 = no remote fault condition detected.	0, RO
3	Auto Negotiation	1 = Link had not been experienced fail state. 0 = Link had been experienced fail state	1, RD
2	Link Status	1 = valid link established; 0 = no valid link established.	0, RO
1	Jabber Detect	1 = jabber condition detected; 0 = no jabber condition detected.	0, RO
0	Extended Capability	1 = extended register capability; 0 = basic register capability only.	1, RO

## 5.20 Auto-negotiation Advertisement Register (Offset 0066h-0067h, R/W)

Bit	Name	Description/Usage	Default/ Attribute
15	NP	Next Page bit. 0 = transmitting the primary capability data page; 1 = transmitting the protocol specific data page.	0, RO
14	ACK	1 = acknowledge reception of link partner capability data word.	0, RO
13	RF	1 = advertise remote fault detection capability; 0 = do not advertise remote fault detection capability.	0, RW
12-11	-	Reserved	-
10	Pause	1 = flow control is supported by local node. 0 = flow control is not supported by local mode.	The default value comes from EEPROM, RO
9	T4	1 = 100Base-T4 is supported by local node; 0 = 100Base-T4 not supported by local node.	0, RO
8	TXFD	1 = 100Base-TX full duplex is supported by local node; 0 = 100Base-TX full duplex not supported by local node.	1, RW
7	TX	1 = 100Base-TX is supported by local node; 0 = 100Base-TX not supported by local node.	1, RW
6	10FD	1 = 10Base-T full duplex supported by local node; 0 = 10Base-T full duplex not supported by local node.	1, RW
5	10	1 = 10Base-T is supported by local node; 0 = 10Base-T not supported by local node.	1, RW
4-0	Selector	Binary encoded selector supported by this node. Currently only CSMA/ CD <00001> is specified. No other protocols are supported.	<00001>, RW

## 5.21 Auto-Negotiation Link Partner Ability Register



**(Offset 0068h-0069h, R)**

Bit	Name	Description/Usage	Default/Attribute
15	NP	Next Page bit. 0 = transmitting the primary capability data page; 1 = transmitting the protocol specific data page.	0, RO
14	ACK	1 = link partner acknowledges reception of local node's capability data word.	0, RO
13	RF	1 = link partner is indicating a remote fault.	0, RO
12-11	-	Reserved	-
10	Pause	1 = Flow control is supported by link partner , 0 = Flow control is not supported by link partner.	0, RO
9	T4	1 = 100Base-T4 is supported by link partner; 0 = 100Base-T4 not supported by link partner.	0, RO
8	TXFD	1 = 100Base-TX full duplex is supported by link partner; 0 = 100Base-TX full duplex not supported by link partner.	0, RO
7	TX	1 = 100Base-TX is supported by link partner; 0 = 100Base-TX not supported by link partner.	0, RO
6	10FD	1 = 10Base-T full duplex is supported by link partner; 0 = 10Base-T full duplex not supported by link partner.	0, RO
5	10	1 = 10Base-T is supported by link partner; 0 = 10Base-T not supported by link partner.	0, RO
4-0	Selector	Link Partner's binary encoded node selector. Currently only CSMA/ CD <00001> is specified.	<00000>, RO

**5.22 Auto-negotiation Expansion Register (Offset 006Ah-006Bh, R)**

This register contains additional status for NWay auto-negotiation.

Bit	Name	Description/Usage	Default/ Attribute
15-5	-	Reserved, This bit is always set to 0.	-
4	MLF	Status indicating if a multiple link fault has occurred. 1 = fault occurred; 0 = no fault occurred.	0, RO
3	LP_NP_ABLE	Status indicating if the link partner supports Next Page negotiation. 1 = supported; 0 = not supported.	0, RO
2	NP_ABLE	This bit indicates if the local node is able to send additional Next Pages.	0, RO
1	PAGE_RX	This bit is set when a new Link Code Word Page has been received. The bit is automatically cleared when the auto-negotiation link partner's ability register (register 5) is read by management.	0, RO
0	LP_NW_ABLE	1 = link partner supports NWay auto-negotiation.	0, RO

**5.23 Disconnect Counter (Offset 006Ch-006Dh, R)**

Bit	Name	Description/Usage	Default/
-----	------	-------------------	----------

			<b>Attribute</b>
15-0	DCNT	This 16-bit counter increments by 1 for every disconnect event. It rolls over when becomes full. It is cleared to zero by read command.	h'[0000], R

## 5.24 False Carrier Sense Counter (Offset 006Eh-006Fh, R)

<b>Bit</b>	<b>Name</b>	<b>Description/Usage</b>	<b>Default/Attribute</b>
15-0	FCSCNT	This 16-bit counter increments by 1 for each false carrier event. It is cleared to zero by read command.	h'[0000], R

## 5.25 NWay Test Register (Offset 0070h-0071h, R/W)

<b>Bit</b>	<b>Name</b>	<b>Description/Usage</b>	<b>Default/Attribute</b>
15-8	-	Reserved	-
7	NWLPBK	1 = set NWay to loopback mode.	0, RW
6-4	-	Reserved	-
3	ENNWLE	1 = LED0 Pin indicates linkpulse	0, RW
2	FLAGABD	1 = Auto-neg experienced ability detect state	0, RO
1	FLAGPDF	1 = Auto-neg experienced parallel detection fault state	0, RO
0	FLAGLSC	1 = Auto-neg experienced link status check state	0, RO

## 5.26 RX\_ER Counter (Offset 0072h-0073h, R)

<b>Bit</b>	<b>Name</b>	<b>Description/Usage</b>	<b>Default/Attribute</b>
15-0	RXERCNT	This 16-bit counter increments by 1 for each valid packet received . It is cleared to zero by read command.	h'[0000], R

## 5.27 CS Configuration Register (Offset 0074h-0075h, R/W)

<b>Bit</b>	<b>Name</b>	<b>Description/Usage</b>	<b>Default/Attribute</b>
15	Testfun	1 = Auto-neg speeds up internal timer	0,WO
14-10	-	Reserved	-
9	LD	Active low TPI link disable signal. When low, TPI still transmits link pulses and TPI stays in good link state.	1, RW
8	HEART BEAT	1 = HEART BEAT enable, 0 = HEART BEAT disable. HEART BEAT function is only valid in 10Mbps mode.	1, RW
7	JBEN	1 = enable jabber function. 0 = disable jabber function	1, RW
6	F_LINK_100	Used to login force good link in 100Mbps for diagnostic purposes. 1 = DISABLE, 0 = ENABLE.	1, RW
5	F_Connect	Assertion of this bit forces the disconnect function to be bypassed.	0, RW
4	-	Reserved	-

3	Con_status	This bit indicates the status of the connection. 1 = valid connected link detected; 0 = disconnected link detected.	0, RO
2	Con_status_En	Assertion of this bit configures LED1 pin to indicate connection status.	0, RW
1	-	Reserved	-
0	PASS_SCR	Bypass Scramble	0, RW

## 5.28 Flash Memory Read/Write Register (Offset 00D4h-00D7h, R/W)

Bit	R/W	Symbol	Description
31-24	R/W	MD7-MD0	Flash Memory Data Bus: These bits set and reflect the state of the MD7 - MD0 pins, during write and read process respectively.
23-21	-	-	Reserved.
20	W	ROMCSB	Chip Select: This bit sets the state of the ROMCSB pin.
19	W	OEB	Output Enable: This bit sets the state of the OEB pin.
18	W	WEB	Write Enable: This bit sets the state of the WEB pin.
17	W	SWRWEn	Enable software access to flash memory: 0: Disable read/write access to flash memory via software. 1: Enable read/write access to flash memory via software and disable the EEPROM access during flash memory access via software.
16-0	W	MA16-MA0	Flash Memory Address Bus: These bits set the state of the MA16-0 pins.

## 5.29 Config5: Configuration Register 5 (Offset 00D8h, R/W)

Bit	R/W	Symbol	Description
7	-	-	Reserved.
6	R/W	BWF	Broadcast Wakeup Frame: 0: Disable Broadcast Wakeup Frame with mask bytes of only DID field = FF FF FF FF FF FF. 1: Enable Broadcast Wakeup Frame with mask bytes of only DID field = FF FF FF FF FF FF. The power-on default value is 0.
5	R/W	MWF	Mroadcast Wakeup Frame: 0: Disable Multicast Wakeup Frame with mask bytes of only DID field, which is a multicast address. 1: Enable Multicast Wakeup Frame with mask bytes of only DID field, which is a multicast address. The power-on default value is 0.
4	R/W	UWB	Unicast Wakeup Frame: 0: Disable Unicast Wakeup Frame with mask bytes of only DID field, which is its own physical address. 1: Enable Unicast Wakeup Frame with mask bytes of only DID field, which is its own physical address. The power-on default value is 0.
3-0	-	-	Reserved.

➤ For support those Wakeup Frames with mask bytes of only DID field. This short Wakeup Frame

support has nothing to do with original Wakeup Frame support. This is another wakeup capability besides Magic Packet, LinkUp, and Wakeup Frame.

- Config5 register, offset D8h: (SYM\_ERR register is changed to Config5, the function of SYM\_ERR register is no longer supported by RTL8139B.)

### 5.30 Function Event Register (Offset 00F0h-00F3h, R/W)

Bit	R/W	Symbol	Description
31-16	-	-	Reserved.
15	R/W	INTR	Interrupt: Set to 1 when INTR field in the Function Force Event Register is set. Writing a 1 may clear this bit. Writing a 0 has no effect. This bit must not be affected by RST# pin and software reset.
14-5	-	-	Reserved.
4	R/W	GWAKE	General Wakeup: Set to 1 when the GWAKE field in the Function Present State Register changes its state from 0 to 1. This bit can also be set when the GWAKE bit of the Function Force Register is set. Writing a 1 may clear this bit. Writing a 0 has no effect. This bit can not be affected by the RST#.
3-0	-	-	Reserved.

- This register is valid only when Card\_En=1 (bit3, Config3) and FuncRegEn=1 (bit1, Config3).
- The Function Event (Offset F0h), Function Event Mask (Offset F4h), Function Present State (Offset F8h), and Function Force Event (Offset FCh) registers have some corresponding fields with the same names. The GWAKE and INTR bits of these registers reflect the wake-up event signaled on the SCTCSCHG pin. The operation of CSTCSCHG pin is similar to PME# pin except that the CSTCSCHG pin is asserted high.

### 5.31 Function Event Mask Register (Offset 00F4h-00F7h, R/W)

Bit	R/W	Symbol	Description
31-16	-	-	Reserved.
15	R/W	INTR	Interrupt mask: When cleared (0), setting of the INTR bit in either the Function Present State Register or the Function Event Register will neither cause assertion of the INT# signal while the CardBus PC Card interface is powered up, nor the system Wakeup (CSTSCHG) while the interface is powered off. Setting this bit to 1, enables the INTR bit in both the Function Present State Register and the Function Event Register to generate the INT# signal (and the system Wakeup if the corresponding WKUP field in this Function Event Mask Register is also set). This bit is not affected by RST#.
14	R/W	WKUP	Wakeup mask: When cleared (0), the Wakeup function is disabled, i.e., the setting of this bit in the Function Event Register will not assert the CSTSCHG signal. Setting this bit to 1, enables the fields in the Function Event Register to assert the CSTSCHG signal.

			This bit is not affected by RST#.
13-5	-	-	Reserved.
4	R/W	GWAKE	General Wakeup mask: When cleared (0), setting this bit in the Function Event Register will not cause CSTSCHG pin asserted. Setting this bit to 1, enables the GWAKE field in the Function Event Register to assert CSTSCHG pin if bit14 of this register is also set. This bit is not affected by RST#.
3-0	-	-	Reserved.

- This register is valid only when Card\_En=1 (bit3, Config3) and FuncRegEn=1 (bit1, Config3).

### 5.32 Function Present State Register (Offset 00F8h-00FBh, R)

Bit	R/W	Symbol	Description
31-16	-	-	Reserved.
15	R	INTR	Interrupt: This bit is set when one of the ISR register bits has been set to 1. This bit remains set (1), until all of the ISR register bits have been cleared. It is not affected by RST#.
14-5	-	-	Reserved.
4	R	GWAKE	General Wakeup: This bit reflects the current state of the Wakeup event(s), it's just like the PME_Status bit of the PMCSR register. This bit remains set (1), until the PME_Status bit of the PMCSR register is cleared. It is not affected by RST#.
3-0	-	-	Reserved.

- This register is valid only when Card\_En=1 (bit3, Config3) and FuncRegEn=1 (bit1, Config3).
- This read-only register reflects the current state of the function.

### 5.33 Function Force Event Register (Offset 00FCh-00FFh, W)

Bit	R/W	Symbol	Description
31-16	-	-	Reserved.
15	W	INTR	Interrupt: Writing a 1 sets the INTR bit in the Function Event Register. However, the INTR bit in the Function Present State Register is not affected and continues to reflect the current state of the ISR register. Writing a 0 to this bit has no effect.
14-5	-	-	Reserved.
4	W	GWAKE	General Wakeup: Setting this bit to 1, sets the GWAKE bit in the Function Event Register. However, the GWAKE bit in the Function Present State Register is not affected and continues to reflect the current state of the Wakeup request. Writing a 0 to this bit has no effect.
3-0	-	-	Reserved.

- This register is valid only when Card\_En=1 (bit3, Config3) and FuncRegEn=1 (bit1, Config3).

## 6. EEPROM (93C46 or 93C56) Contents

The 93C46 is a 1K-bit EEPROM (the 93C56 is a 2K-bit EEPROM). Although it is actually addressed by words, we list its contents by bytes below for convenience.

After the valid duration of the RSTB pin or auto-load command in 9346CR, the RTL8139B(L) performs a series of EEPROM read operation from the 93C46 (93C56) address 00H to 31H.

- \* If you want to change the Realtek default setting of the content in EEPROM, we suggest that you have Realtek approval.

Bytes	Contents	Description
00h 01h	29h 81h	These 2 bytes contain ID code word for the RTL8139B(L). The RTL8139B(L) will load the contents of EEPROM into the corresponding location if the ID word (8129h) is right, otherwise, the Vendor ID and Device ID of the PCI configuration space are "10ECh" and "8129h".
02h-03h	VID	PCI Vendor ID, PCI configuration space offset 00h-01h.
04h-05h	DID	PCI Device ID, PCI configuration space offset 02h-03h.
06h-07h	SVID	PCI Subsystem Vendor ID, PCI configuration space offset 2Ch-2Dh.
08h-09h	SMID	PCI Subsystem ID, PCI configuration space offset 2Eh-2Fh.
0Ah	MNGNT	PCI Minimum Grant Timer, PCI configuration space offset 3Eh.
0Bh	MXLAT	PCI Maximum Latency Timer, PCI configuration space offset 3Fh.
0Ch	MSRBMCR	Bit7-6 map to the bit7-6 of Media Status register (MSR), Bit5, 4, 0 map to the bit13, 12, 8 of Basic Mode Control register (BMCR), <b>Bit3-2 are reserved. If the network speed is set to AutoDetect mode (i.e. Nway mode), then Bit1=0 means the local RTL8139B(L) supports flow control (IEEE 802.3x) (in this case, Bit10=1 in Auto-negotiation Advertisement Register (offset 66h-67h), and Bit1=1 means the local RTL8139B(L) does not support flow control (in this case, Bit10=0 in Auto-negotiation Advertisement). This is because that there are Nway switch hubs will keep sending flow control pause packets with no reason, if the link partner supports Nway flow control.</b>
0Dh	CONFIG3	RTL8139B(L) Configuration register 3, operational register offset 59H.
0Eh-13h	Ethernet ID	Ethernet ID, After auto-load command or hardware reset, RTL8139B(L) loads Ethernet ID to IDR0-IDR5 of RTL8139B(L)'s.
14h	CONFIG0	RTL8139B(L) Configuration register 0, operational registers offset 51h.
15h	CONFIG1	RTL8139B(L) Configuration register 1, operational registers offset 52h.
16h-17h	PMC	<b>Reserved. Do not change this filed without Realtek approval.</b> Power Management Capabilities. PCI configuration space address 52h and 53h.
18h	PMCSR	<b>Reserved. Do not change this filed without Realtek approval.</b> Power Management Control/Status. PCI configuration space address 55h.
19h	CONFIG4	<b>Reserved. Do not change this filed without Realtek approval.</b> RTL8139B(L) Configuration register 4, operational registers offset 5Ah.
1Ah-1Dh	PHY1_PARM	<b>Reserved. Do not change this filed without Realtek approval.</b> PHY Parameter 1. Operational registers of the RTL8139B(L) are from 78h to 7Bh.
1Eh	PHY2_PARM	<b>Reserved. Do not change this filed without Realtek approval.</b> PHY Parameter 2. Operational register of the RTL8139B(L) is 80h.
1Fh	DELAY	<b>Reserved. Do not change this filed without Realtek approval.</b> Rev.D: Bit2-0: Delay time during twister parameter auto-load process.

		<p>Bit5-4: Used to select the auto-scan interval time of each twister parameter, during the twister parameter auto-scan process.</p> <table border="1"> <thead> <tr> <th colspan="2"></th> <th>Auto-Scan interval for each twister parameter</th> </tr> </thead> <tbody> <tr> <td rowspan="4">( Bit5, Bit4 )</td> <td>( 0, 0 )</td> <td>0.65ms</td> </tr> <tr> <td>( 0, 1 )</td> <td>0.9ms</td> </tr> <tr> <td>( 1, 0 )</td> <td>1.3ms</td> </tr> <tr> <td>( 1, 1 )</td> <td>2.3ms</td> </tr> </tbody> </table> <p>Bit7: Used for software to identify if hardware supports detection of Aux. Power existence.          Set to 1: The hardware supports detection of Aux. Power existence, i.e. MA8 is pulled high to the Aux. Power via a 5.6k resistor.          Set to 0: The hardware does not support detection of Aux. Power existence.</p> <p>Rev.F and successors:          Bit7: Used for software to identify if hardware supports detection of Aux. Power existence.          Set to 1: The hardware supports detection of Aux. Power existence, i.e. MA8 is pulled high to the Aux. Power via a 5.6k resistor.          Set to 0: The hardware does not support detection of Aux. Power existence. I.e. This network card does not support wakeup from D3cold, because of Aux. power auto-detect function of rev.F and successors.</p> <p>Bit1: LANWake signal Enable/Disable          Set to 1: Enable LANWake signal.          Set to 0: Disable LANWake signal.</p> <p>Bit0: PME_Status bit property          Set to 1: The PME_Status bit can be reset by PCI reset or by software if D3cold_support_PME is 0. If D3cold_support_PME=1, the PME_Status bit is a sticky bit.          Set to 0: The PME_Status bit is always a sticky bit and can only be reset by software.</p>			Auto-Scan interval for each twister parameter	( Bit5, Bit4 )	( 0, 0 )	0.65ms	( 0, 1 )	0.9ms	( 1, 0 )	1.3ms	( 1, 1 )	2.3ms
		Auto-Scan interval for each twister parameter												
( Bit5, Bit4 )	( 0, 0 )	0.65ms												
	( 0, 1 )	0.9ms												
	( 1, 0 )	1.3ms												
	( 1, 1 )	2.3ms												
20h-23h	TW1_PARM	Reserved. Do not change this filed without Realtek approval. Twister Parameter 1. Operational registers of the RTL8139B(L) are 7Ch-7Fh, when REG76 >= 0Eh.												
24h-27h	TW2_PARM	Reserved. Do not change this filed without Realtek approval. Twister Parameter 2. Operational registers of the RTL8139B(L) are 7Ch-7Fh, when 0Bh < REG76 < 0Eh.												
28h-2Bh	TW3_PARM	Reserved. Do not change this filed without Realtek approval. Twister Parameter 3. Operational registers of the RTL8139B(L) are 7Ch-7Fh, when 2 < REG76 <= 0Bh.												
2Ch-2Fh	TW4_PARM	Reserved. Do not change this filed without Realtek approval. Twister Parameter 4. Operational registers of the RTL8139B(L) are 7Ch-7Fh, when REG76 <= 2h.												
30h-31h	CISPointer	Reserved. Do not change this filed without Realtek approval. CIS Pointer.												
32h-33h	Checksum	Reserved. Do not change this filed without Realtek approval. Checksum of the EEPROM content.												
34h-3Eh	-	Reserved. Do not change this filed without Realtek approval.												
3Fh	PXE_Para	Reserved. Do not change this filed without Realtek approval. PXE ROM code parameter.												
40h-7Fh	VPD_Data	VPD data filed. Offset 40h is the start address of the VPD data.												
80h-FFh	CIS_Data	CIS data filed. Offset 80h is the start address of the CIS data. (93C56 only).												

## 6.1 Summary of RTL8139B(L)'s registers in the EEPROM

Offset	Name	Type	Bit7	Bit6	Bit5	Bit4	Bit3	Bit2	Bit1	Bit0
00h-05h	IDR0 – IDR5	R/W*								
51h	CONFIG0	R		-	-	-	-	BS2	BS1	BS0
		W*	-	-	-	-	-	-	-	-
52h	CONFIG1	R	LEDS1	LEDS0	DVRLOAD	LWACT	MEMMAP	IOMAP	VPD	PMEN
		W*	LEDS1	LEDS0	DVRLOAD	LWACT	-	-	VPD	PMEN
58h	MSRBMCR	R	TxFCE	RxFCE	-	-	-	-		
		W*	TxFCE	RxFCE	-	-	-	-		
63h	MSRBMCR	R	-	-	Spd_Set	ANE	-	-	-	FUDUP
		W*	-	-	Spd_Set	ANE	-	-	-	FUDUP
59h	CONFIG3	R	GNTDel	PARM_EN	Magic	LinkUp	CardB_En	CLKRU N_En	FuncReg En	FBtBen
		W*	-	PARM_EN	Magic	LinkUp	-	-	-	-
5Ah	CONFIG4	R/W*	RxFIFO AutoClr	AnaOff	LongWF	LWPME	MSWFB (rev.D only)	LWPTN	PARM_En2	PME_Mode
78h-7Bh	PHY1_PARM	R/W**	32 bit Read Write							
7Ch-7Fh	TW1_PARM	R/W**	32 bit Read Write							
	TW2_PARM	R/W**	32 bit Read Write							
80h	PHY2_PARM	R/W**	8 bit Read Write							

\* The registers marked with type = 'W\*' can be written only if bits EEM1=EEM0=1.

\*\* The registers marked with type = 'W\*\*' can be written only if bits EEM1=EEM0=1 and CONFIG3<PARM\_EN> = 0.

## 6.2 Summary of Power Management registers in the EEPROM

Configuration Space offset	Name	Type	Bit7	Bit6	Bit5	Bit4	Bit3	Bit2	Bit1	Bit0
52h	PMC	R	Aux_I_b1	Aux_I_b0	DSI	Reserved	PMECLK	Version		
53h		R	PME_D3_cold	PME_D3_hot	PME_D2	PME_D1	PME_D0	D2	D1	Aux_I_b2
55h	PMCSR	R	PME_Status	-	-	-	-	-	-	PME_En
		W	PME_Status	-	-	-	-	-	-	PME_En

## 7. PCI Configuration Space Registers

### 7.1 PCI Configuration Space Table

No.	Name	Type	Bit7	Bit6	Bit5	Bit4	Bit3	Bit2	Bit1	Bit0
00h	VID	R	VID7	VID6	VID5	VID4	VID3	VID2	VID1	VID0
01h		R	VID15	VID14	VID13	VID12	VID11	VID10	VID9	VID8
02h	DID	R	DID7	DID6	DID5	DID4	DID3	DID2	DID1	DID0
03h		R	DID15	DID14	DID13	DID12	DID11	DID10	DID9	DID8
04h	Command	R	0	PERRSP	0	0	-	BMEN	MEMEN	IOEN
		W	-	PERRSP	-	-	-	BMEN	MEMEN	IOEN
05h		R	0	0	0	0	0	0	FBTBEN	SERREN



		W	-	-	-	-	-	-	-	SERREN
06h	Status	R	FBBC	0	0	NewCap	0	0	0	0
07h		R	DPERR	SSERR	RMABT	RTABT	STABT	DST1	DST0	DPD
		W	DPERR	SSERR	RMABT	RTABT	STABT	-	-	DPD
08h	Revision ID	R	0	0	0	0	0	0	0	0
09h	PIFR	R	0	0	0	0	0	0	0	0
0Ah	SCR	R	0	0	0	0	0	0	0	0
0Bh	BCR	R	0	0	0	0	0	0	1	0
0Ch	CLS	R	0	0	0	0	0	0	0	0
0Dh	LTR	R	LTR7	LTR6	LTR5	LTR4	LTR3	LTP2	LTR1	LTR0
		W	LTR7	LTR6	LTR5	LTR4	LTR3	LTP2	LTR1	LTR0
0Eh	HTR	R	0	0	0	0	0	0	0	0
0Fh	BIST	R	0	0	0	0	0	0	0	0
10h	IOAR	R	0	0	0	0	0	0	0	IOIN
		W	-	-	-	-	-	-	-	-
11h		R/W	IOAR15	IOAR14	IOAR13	IOAR12	IOAR11	IOAR10	IOAR9	IOAR8
12h		R/W	IOAR23	IOAR22	IOAR21	IOAR20	IOAR19	IOAR18	IOAR17	IOAR16
13h		R/W	IOAR31	IOAR30	IOAR29	IOAR28	IOAR27	IOAR26	IOAR25	IOAR24
14h	MEMAR	R	0	0	0	0	0	0	0	MEMIN
		W	-	-	-	-	-	-	-	-
15h		R/W	MEM15	MEM14	MEM13	MEM12	MEM11	MEM10	MEM9	MEM8
16h		R/W	MEM23	MEM22	MEM21	MEM20	MEM19	MEM18	MEM17	MEM16
17h		R/W	MEM31	MEM30	MEM29	MEM28	MEM27	MEM26	MEM25	MEM24
18h-27h	RESERVED									
28h-2Bh	CISPtr	Cardbus CIS Pointer								
2Ch	SVID	R	SVID7	SVID6	SVID5	SVID4	SVID3	SVID2	SVID1	SVID0
		R	SVID15	SVID14	SVID13	SVID12	SVID11	SVID10	SVID9	SVID8
2Eh	SMID	R	SMID7	SMID6	SMID5	SMID4	SMID3	SMID2	SMID1	SMID0
		R	SMID15	SMID14	SMID13	SMID12	SMID11	SMID10	SMID9	SMID8
30h	BMAR	R	0	0	0	0	0	0	0	BROMEN
		W	-	-	-	-	-	-	-	-
31h		R	BMAR15	BMAR14	BMAR13	BMAR12	BMAR11	0	0	0
		W	BMAR15	BMAR14	BMAR13	BMAR12	BMAR11	-	-	-
32h		R/W	BMAR23	BMAR22	BMAR21	BMAR20	BMAR19	BMAR18	BMAR17	BMAR16
33h		R/W	BMAR31	BMAR30	BMAR29	BMAR28	BMAR27	BMAR26	BMAR25	BMAR24
34h	Cap_Ptr	R	0	1	0	1	0	0	0	0
35h-3Bh	RESERVED									
3Ch	ILR	R/W	IRL7	ILR6	ILR5	ILR4	ILR3	ILR2	ILR1	ILR0
3Dh	IPR	R	0	0	0	0	0	0	0	1
3Eh	MNGNT	R	0	0	1	0	0	0	0	0
3Fh	MXLAT	R	0	0	1	0	0	0	0	0
40h-4Fh	RESERVED									
50h	PMID	R	0	0	0	0	0	0	0	1
51h	NextPtr	R	0	0	0	0	0	0	0	0
52h	PMC	R	Aux_I_b1	Aux_I_b0	DSI	Reserved	PMECLK	Version		
53h		R	PME_D3 <sub>cold</sub>	PME_D3 <sub>hot</sub>	PME_D2	PME_D1	PME_D0	D2	D1	Aux_I_b2
54h	PMCSR	R	0	0	0	0	0	0	Power State	

		W	-	-	-	-	-	-	-	Power State
55h		R	PME_Status	-	-	-	-	-	-	PME_En
		W	PME_Status	-	-	-	-	-	-	PME_En
56h-5Fh	RESERVED									
60h	VPDID	R	0	0	0	0	0	0	1	1
61h	NextPtr	R	0	0	0	0	0	0	0	0
62h	Flag VPD Address	R/W	VPDADDR 7	VPDADDR 6	VPDADD R5	VPDADD R4	VPDADD R3	VPDADD R2	VPDADD R1	VPDADD R0
63h		R/W	Flag	VPDADDR 14	VPDADD R13	VPDADD R12	VPDADD R11	VPDADD R10	VPDADD R9	VPDADD R8
64h	VPD Data	R/W	Data7	Data6	Data5	Data4	Data3	Data2	Data1	Data0
65h		R/W	Data15	Data14	Data13	Data12	Data11	Data10	Data9	Data8
66h		R/W	Data23	Data22	Data21	Data20	Data19	Data18	Data17	Data16
67h		R/W	Data31	Data30	Data29	Data28	Data27	Data26	Data25	Data24
68h-FFh	RESERVED									

## 7.2 PCI Configuration Space functions

The PCI configuration space is intended for configuration, initialization, and catastrophic error handling functions. The functions of RTL8139B(L)'s configuration space are described below.

**VID:** Vendor ID. This field will be set to a value corresponding to PCI Vendor ID in the external EEPROM. If there is no EEPROM, this field will default to a value of 10ECh which is Realtek Semiconductor's PCI Vendor ID.

**DID:** Device ID. This field will be set to a value corresponding to PCI Device ID in the external EEPROM. If there is no EEPROM, this field will default to a value of 8129h.

**Command:** The command register is a 16-bit register used to provide coarse control over a device's ability to generate and respond to PCI cycles.

Bit	Symbol	Description
15-10	-	Reserved
9	FBTBEN	Fast Back-To-Back Enable: Config3<FBtBEN>=0:Read as 0. Write operation has no effect. The RTL8139B(L) will not generate Fast Back-to-back cycles. When Config3<FbtBEN>=1, This read/write bit controls whether or not a master can do fast back-to-back transactions to different devices. Initialization software will set the bit if all targets are fast back-to-back capable. A value of 1 means the master is allowed to generate fast back-to-back transaction to different agents. A value of 0 means fast back-to-back transactions are only allowed to the same agent. This bit's state after RST# is 0.
8	SERREN	System Error Enable: When set to 1, the RTL8139B(L) asserts the SERRB pin when it detects a parity error on the address phase (AD<31:0> and CBEB<3:0> ).
7	ADSTEP	Address/Data Stepping: Read as 0, write operation has no effect. The RTL8139B(L) never make address/data stepping.
6	PERRSP	Parity Error Response: When set to 1, RTL8139B(L) will assert the PERRB pin on the detection of a data parity error when acting as the target, and will sample the PERRB pin as the master. When set to 0, any detected parity error is ignored and the RTL8139B(L) continues normal operation. Parity checking is disabled after hardware reset (RSTB).
5	VGASNOOP	VGA palette SNOOP. Read as 0, write operation has no effect.

## RTL8139B(L) Preliminary

4	MWIEN	Memory Write and Invalidate cycle Enable: Read as 0, write operation has no effect.
3	SCYCEN	Special Cycle Enable: Read as 0, write operation has no effect. The RTL8139B(L) ignores all special cycle operation.
2	BMEN	Bus Master Enable: When set to 1, the RTL8139B(L) is capable of acting as a bus master. When set to 0, it is prohibited from acting as a PCI bus master. For the normal operation, this bit must be set by the system BIOS.
1	MEMEN	Memory Space Access: When set to 1, the RTL8139B(L) responds to memory space accesses. When set to 0, the RTL8139B(L) ignores memory space accesses.
0	IOEN	I/O Space Access: When set to 1, the RTL8139B(L) responds to IO space access. When set to 0, the RTL8139B(L) ignores I/O space accesses.

**Status:** The status register is a 16-bit register used to record status information for PCI bus related events. Reads to this register behave normally. Writes are slightly different in that bits can be reset, but not set.

Bit	Symbol	Description
15	DPERR	Detected Parity Error: When set indicates that the RTL8139B(L) detected a parity error, even if parity error handling is disabled in command register PERRSP bit.
14	SSERR	Signaled System Error: When set indicates that the RTL8139B(L) asserted the system error pin, SERRB. Writing a 1 clears this bit to 0.
13	RMABT	Received Master Abort: When set indicates that the RTL8139B(L) terminated a master transaction with master abort. Writing a 1 clears this bit to 0.
12	RTABT	Received Target Abort: When set indicates that the RTL8139B(L) master transaction was terminated due to a target abort. Writing a 1 clears this bit to 0.
11	STABT	Signaled Target Abort: Set to 1 whenever the RTL8139B(L) terminates a transaction with target abort. Writing a 1 clears this bit to 0.
10-9	DST1-0	Device Select Timing: These bits encode the timing of DEVSELB. They are set to 01b (medium), indicating the RTL8139B(L) will assert DEVSELB two clocks after FRAMEB is asserted.
8	DPD	Data Parity error Detected: This bit sets when the following conditions are met: The RTL8139B(L) asserts parity error(PERRB pin) or it senses the assertion of PERRB pin by another device. <ul style="list-style-type: none"> <li>• °The RTL8139B(L) operates as a bus master for the operation that caused the error.</li> <li>• °The Command register PERRSP bit is set.</li> </ul> Writing a 1 clears this bit to 0.
7	FBBC	Fast Back-To-Back Capable: Config3<FbtBEn>=0, Read as 0, write operation has no effect. Config3<FbtBEn>=1, Read as 1.
6	UDF	User Definable Features Supported: Read as 0, write operation has no effect. The RTL8139B(L) does not support UDF.
5	66MHz	66 MHz Capable: Read as 0, write operation has no effect. The RTL8139B(L) has no 66MHz capability.
4	NewCap	New Capability: Config3<PMEn>=0, Read as 0, write operation has no effect. Config3<PMEn>=1, Read as 1.
0-3	-	Reserved

### RID: Revision ID Register

The Revision ID register is an 8-bit register that specifies the RTL8139B(L) controller revision number.

### PIFR: Programming Interface Register

The programming interface register is an 8-bit register that identifies the programming interface of the RTL8139B(L) controller. The PCI specification revision 2.1 doesn't define any other specific value for network devices. So PIFR = 00h.

**SCR:** Sub-Class Register

The Sub-class register is an 8-bit register that identifies the function of the RTL8139B(L). SCR = 00h indicates that the RTL8139B(L) is an Ethernet controller.

**BCR:** Base-Class Register

The Base-class register is an 8-bit register that broadly classifies the function of the RTL8139B(L). BCR = 02h indicates that the RTL8139B(L) is a network controller.

**CLS:** Cache Line Size

Reads will return a 0, writes are ignored.

**LTR:** Latency Timer Register

Specifies, in units of PCI bus clocks, the value of the latency timer of the RTL8139B(L).

When the RTL8139B(L) asserts FRAMEB, it enables its latency timer to count. If the RTL8139B(L) deasserts FRAMEB prior to count expiration, the content of the latency timer is ignored. Otherwise, after the count expires, the RTL8139B(L) initiates transaction termination as soon as its GNTB is deasserted. Software is able to read or write, and the default value is 00H.

**HTR:** Header Type Register

Reads will return a 0, writes are ignored.

**BIST:** Built-in Self Test

Reads will return a 0, writes are ignored.

**IOAR:** This register specifies the BASE IO address which is required to build an address map during configuration. It also specifies the number of bytes required as well as an indication that it can be mapped into IO space.

Bit	Symbol	Description
31-7	IOAR31-7	BASE IO Address: This is set by software to the Base IO address for the operational register map.
6-2	IOSIZE	Size Indication: Read back as 0. This allows the PCI bridge to determine that the RTL8139B(L) requires 128 bytes of IO space.
1	-	Reserved
0	IOIN	IO Space Indicator: Read only. Set to 1 by the RTL8139B(L) to indicate that it is capable of being mapped into IO space.

**MEMAR:** This register specifies the base memory address for memory accesses to the RTL8139B(L) operational registers. This register must be initialized prior to accessing any RTL8139B(L)'s register with memory access.

Bit	Symbol	Description
31-7	MEM31-7	Base Memory Address: This is set by software to the base address for the operational register map.
6-4	MEMSIZE	Memory Size: These bits return 0, which indicates that the RTL8139B(L) requires 128 bytes of Memory Space.
3	MEMPF	Memory Prefetchable: Read only. Set to 0 by the RTL8139B(L).
2-1	MEMLOC	Memory Location Select: Read only. Set to 0 by the RTL8139B(L). This indicates that the base register is 32-bit wide and can be placed anywhere in the 32-bit memory space.
0	MEMIN	Memory Space Indicator: Read only. Set to 0 by the RTL8139B(L) to indicate that it is capable of being mapped into memory space.

**CISPtr:** CardBus CIS Pointer. This field is valid only when CardB\_En (bit3, Config3) = 1. The value of this register is auto-loaded from 93C46 or 93C56 (from offset 30h-31h).

- Bit 2-0: Address Space Indicator

Bit2-0	Meaning
0	Not supported. (CIS begins in device-dependent configuration space.)
1-6	The CIS begins in the memory address governed by one of the six Base Address Registers. Ex., if the value is 2, then the CIS begins in the memory address space governed by Base Address Register 2.
7	The CIS begins in the Expansion ROM space.

- Bit27-3: Address Space Offset

- Bit31-28: ROM Image number

Bit2-0	Space Type	Address Space Offset Values
0	Configuration space	Not supported.
X; 1≤X≤6	Memory space	0h≤value≤FFFF FFF8h. This is the offset into the memory address space governed by Base Address Register X. Adding this value to the value in the Base Address Register gives the location of the start of the CIS. For RTL8139B(L), the value is 100h.
7	Expansion ROM	0≤image number≤Fh, 0h≤value≤0FFF FFF8h. This is the offset into the expansion ROM address space governed by the Expansion ROM Base Register. The image number is in the uppermost nibble of the CISPtr register. The value consists of the remaining bytes. For RTL8139B(L), the image number is 0h.

- This read-only register points to where the CIS begins, in one of the following spaces:
  - i. Memory space --- The CIS may be in any of the memory spaces from offset 100h and up after being auto-loaded from 93C56. The CIS is stored in 93C56 EEPROM physically from offset 80h-FFh.
  - ii. Expansion ROM space --- The CIS is stored in expansion ROM physically within the 128KB max.

**SVID:** Subsystem Vendor ID. This field will be set to a value corresponding to PCI Subsystem Vendor ID in the external EEPROM. If there is no EEPROM, this field will default to a value of 11ECh which is Realtek Semiconductor's PCI Subsystem Vendor ID.

**SMID:** Subsystem ID. This field will be set to value corresponding to PCI Subsystem ID in the external EEPROM. If there is no EEPROM, this field will default to a value of 8129h.

**BMAR:** This register specifies the base memory address for memory accesses to the RTL8139B(L) operational registers. This register must be initialized prior to accessing any RTL8139B(L)'s register with memory access.

Bit	Symbol	Description
31-18	BMAR31-18	Boot ROM Base Address

17-11	ROMSIZE	These bits indicate how many Boot ROM spaces to be supported. The Relationship between Config 0 <BS2:0> and BMAR17-11 is the following: <b>BS2 BS1 BS0 Description</b> 0 0 0 No Boot ROM, BROMEN=0 (R) 0 0 1 8K Boot ROM, BROMEN (R/W), BMAR12-11 = 0 (R), BMAR17-13 (R/W) 0 1 0 16K Boot ROM, BROMEN (R/W), BMAR13-11 = 0 (R), BMAR17-14 (R/W) 0 1 1 32K Boot ROM, BROMEN (R/W), BMAR14-11 = 0 (R), BMAR17-15 (R/W) 1 0 0 64K Boot ROM, BROMEN (R/W), BMAR15-11 = 0 (R), BMAR17-16 (R/W) 1 0 1 128K Boot ROM, BROMEN(R/W), BMAR16-11=0 (R), BMAR17 (R/W) 1 1 0 unused 1 1 1 unused
10-1	-	Reserved (read back 0)
0	BROMEN	Boot ROM Enable: This is used by the PCI BIOS to enable accesses to Boot ROM.

**ILR: Interrupt Line Register**

The Interrupt Line Register is an 8-bit register used to communicate with the routing of the interrupt. It is written by the POST software to set interrupt line for the RTL8139B(L).

**IPR: Interrupt Pin Register**

The Interrupt Pin register is an 8-bit register indicating the interrupt pin used by the RTL8139B(L). The RTL8139B(L) uses INTA interrupt pin. Read only. IPR = 01H.

**MNGNT: Minimum Grant Timer: Read only**

Specifies how long a burst period the RTL8139B(L) needs at 33 MHz clock rate in units of 1/4 microsecond. This field will be set to a value from the external EEPROM. If there is no EEPROM, this field will default to a value of 20h.

**MXLAT: Maximum Latency Timer: Read only**

Specifies how often the RTL8139B(L) needs to gain access to the PCI bus in unit of 1/4 microsecond. This field will be set to a value from the external EEPROM. If there is no EEPROM, this field will default to a value of 20h.

## 7.3 The Default Value after Power-on (RSTB asserted)

### PCI Configuration Space Table

No.	Name	Type	Bit7	Bit6	Bit5	Bit4	Bit3	Bit2	Bit1	Bit0
00h	VID	R	1	1	1	0	1	1	0	0
01h		R	0	0	0	1	0	0	0	0
02h	DID	R	0	0	1	0	1	0	0	1
03h		R	1	0	0	0	0	0	0	1
04h	Command	R	0	0	0	0	0	0	0	0
		W	-	PERRSP	-	-	-	BMEN	MEMEN	IOEN
05h		R	0	0	0	0	0	0	0	0
		W	-	-	-	-	-	-	-	SERREN
06h	Status	R	0	0	0	NewCap	0	0	0	0
07h		R	0	0	0	0	0	0	1	0
		W	DPERR	SSERR	RMABT	RTABT	STABT	-	-	DPD
08h	Revision ID	R	0	0	0	0	0	0	0	0
09h	PIFR	R	0	0	0	0	0	0	0	0
0Ah	SCR	R	0	0	0	0	0	0	0	0

0Bh	BCR	R	0	0	0	0	0	0	1	0
0Ch	CLS	R	0	0	0	0	0	0	0	0
0Dh	LTR	R	0	0	0	0	0	0	0	0
		W	LTR7	LTR6	LTR5	LTR4	LTR3	LTP2	LTR1	LTR0
0Eh	HTR	R	0	0	0	0	0	0	0	0
0Fh	BIST	R	0	0	0	0	0	0	0	0
10h	IOAR	R	0	0	0	0	0	0	0	1
11h		R/W	0	0	0	0	0	0	0	0
12h		R/W	0	0	0	0	0	0	0	0
13h		R/W	0	0	0	0	0	0	0	0
14h	MEMAR	R	0	0	0	0	0	0	0	0
15h		R/W	0	0	0	0	0	0	0	0
16h		R/W	0	0	0	0	0	0	0	0
17h		R/W	0	0	0	0	0	0	0	0
18h   27h	-	RESERVED(ALL 0)								
28h	CISPtr	R	0	0	0	0	0	0	0	0
29h		R	0	0	0	0	0	0	0	0
2Ah		R	0	0	0	0	0	0	0	0
2Bh		R	0	0	0	0	0	0	0	0
2Ch	SVID	R	1	1	1	0	1	1	0	0
2Dh		R	0	0	0	1	0	0	0	1
2Eh	SMID	R	0	0	1	0	1	0	0	1
2Fh		R	1	0	0	0	0	0	0	1
30h	BMAR	R	0	0	0	0	0	0	0	0
		W	-	-	-	-	-	-	-	BROMEN
31h		R	0	0	0	0	0	0	0	0
		W	BMAR15	BMAR14	BMAR13	BMAR12	BMAR11	-	-	-
32h		R/W	0	0	0	0	0	0	0	0
33h		R/W	0	0	0	0	0	0	0	0
34h	Cap-Ptr	R	Ptr7	Ptr6	Ptr5	Ptr4	Ptr3	Ptr2	Ptr1	Ptr0
35h   3Bh	-	RESERVED(ALL 0)								
3Ch	ILR	R/W	0	0	0	0	0	0	0	0
3Dh	IPR	R	0	0	0	0	0	0	0	1
3Eh	MNGNT	R	0	0	1	0	0	0	0	0
3Fh	MXLAT	R	0	0	1	0	0	0	0	0
40h   FFh	-	RESERVED(ALL 0)								

## 7.4 PCI Power Management functions

The RTL8139B(L) is compliant to ACPI (Rev 1.0), PCI Power Management (Rev 1.0), and Device Class Power Management Reference Specification (V1.0a), such as to support OS Directed Power Management (OSPM) environment. To support this, the RTL8139B(L) provides the following capabilities:

- The RTL8139B(L) can monitor the network for a Wakeup Frame, a Magic Packet\*, or a Link Change, and notify the system via PME# when such a packet or event arrives. Then, the whole system can restore to working state to process the incoming jobs.
- The RTL8139B(L) can be isolated from the PCI bus automatically with the auxiliary power circuit when the PCI bus is in B3 state, i.e. the power on the PCI bus is removed. When in the application of motherboard with built-in RTL8139B(L) single-chip fast ethernet controller, the RTL8139B(L) can be disabled when needed by pulling low the isolate pin to 0V.

When the RTL8139B(L) is in power down mode (D1 ~ D3),

- ◆ The Rx state machine is stopped, and the RTL8139B(L) keeps monitoring the network for wakeup event such Magic Packet\*, Wakeup Frame, and/or Link Change, in order to wake up the system. When in power down mode, the RTL8139B(L) will not reflect the status of any incoming packet in the ISR register and will not receive any packet into Rx FIFO.
- ◆ The FIFO status and the packets which are already received into Rx FIFO before entering into power down mode, are kept by the RTL8139B(L) during power down mode
- ◆ The transmission is stopped. The action of PCI bus master mode is stopped, too. The Tx FIFO is kept.
- ◆ After restoring to D0 state, the PCI bus master mode continues to transfer the data, which is not yet moved into Tx FIFO from the last break. The packet that was not transmitted completely last time is transmitted again.

D3cold\_support\_PME bit(bit15, PMC register) & Aux\_I\_b2:0 (bit8:6, PMC register) in PCI configuration space (for rev.F only)

If 9346 D3cold\_support\_PME bit(bit15, PMC) = 1, the above 4 bits depend on the existence of Aux power.

If 9346 D3cold\_support\_PME bit(bit15, PMC) = 0, the above 4 bits are all 0's.

Ex.:

1. If 9346 D3c\_support\_PME = 1,
  - Aux. power exists, then PMC in PCI config space is the same as 9346 PMC, i.e. if 9346 PMC = C2 F7, then PCI PMC = C2 F7.
  - Aux. power is absent, then PMC in PCI config space is the same as 9346 PMC except the above 4 bits are all 0's. I.e. if 9346 PMC = C2 F7, the PCI PMC = 02 76.
    - \* In this case, user wants wakeup to be supported when main power is off, we suggest that the 9346 PMC to be C2 F7 (RT 9346 default value), we still do not recommend that customer sets D0\_support\_PME bit to "1".
2. If 9346 D3c\_support\_PME = 0,
  - Aux. power exists, then PMC in PCI config space is the same as 9346 PMC. I.e. if 9346 PMC = C2 77, then PCI PMC = C2 77.
  - Aux. power is absent, then PMC in PCI config space is the same as 9346 PMC except the above 4 bits are all 0's. I.e. if 9346 PMC = C2 77, the PCI PMC = 02 76.
    - \* In this case, user does not want wakeup to be supported when main power is off, we suggest that the 9346 PMC to be 02 76, we still do not recommend that customer sets D0\_support\_PME bit to "1".

Link Wakeup occurs only when the following conditions are approved,



- ◆ The LinkUp bit (CONFIG3#4) is set to 1, the PMEn bit (CONFIG1#0) is set to 1, and the RTL8139B(L) is in isolation state, or the PME# can be asserted in current power state.
- ◆ The Link status is re-established.

Magic Packet\* Wakeup occurs only when the following conditions are approved,

- ◆ The destination address of the received Magic Packet\* matches.
- ◆ The received Magic Packet\* does not contain CRC error.
- ◆ The Magic bit (CONFIG3#5) is set to 1, the PMEn bit (CONFIG1#0) is set to 1, and the RTL8139B(L) is in isolation state, or the PME# can be asserted in current power state.
- ◆ The Magic Packet\* pattern matches, i.e. 6 \* FFh + MISC(can be none)+ 16 \* DID(Destination ID) in any part of a valid (Fast) Ethernet packet.

Wakeup Frame event occurs only when the following conditions are approved,

- ◆ The MSWFB bit (CONFIG4#3) is set to 0(rev.D only). For rev.F, this bit is reserved.
- ◆ The destination address of the received Wakeup Frame matches.
- ◆ The received Wakeup Frame does not contain CRC error.
- ◆ The PMEn bit (CONFIG1#0) is set to 1.
- ◆ The *8-bit CRC\** of the received Wakeup Frame matches with the *8-bit CRC\** of the sample Wakeup Frame pattern received from the local machine's OS.
- ◆ The *last masked byte\*\** of the received Wakeup Frame matches with the *last masked byte\*\** of the sample Wakeup Frame pattern provided by the local machine's OS.

- \* **8-bit CRC:** This 8-bit CRC logic is to generate an 8-bit CRC from the masked bytes of the received Wakeup Frame packet within offset 12 to 75 (or offset 12 to 139, for Long Wakeup Frames), i.e., the 64 (or 128) bytes starting from the byte of Type/Length field. Software should calculate the 8-bit Power Management CRC for each specific sample wakeup frame and store the calculated CRC in the corresponding CRC register for the RTL8139B(L) to check if there is Wakeup Frame packet coming in.

*Long Wakeup Frame:* The RTL8139B(L) also supports 3 long Wakeup Frames. If the range of mask bytes of the sample Wakeup Frame, passed down by the OS to the driver, exceeds the range from offset 12 to 75, the related registers of wakeup frame 2 and 3 can be merged to support one long wakeup frame by setting the LongWF (bit0, CONFIG4). Thus, the range of effective mask bytes extends from offset 12 to 139. The calculated 8-bit CRC and the last masked byte from the long sample wakeup frame should be put into register CRC2 and LSBCRC2 respectively. The mask bytes (16 bytes) should be store to register Wakeup2 and Wakeup3. The CRC3 and LSBCRC3 have no meaning in this case and should be reset to 0. So as the long Wakeup Frame pairs, wakeup frame 4 and 5, wakeup frame 6 and 7. The CRC5, CRC7, LSBCRC5, and LSBCRC7 have no meaning in this case and should be reset to 0, if the RTL8139B(L) is set to

support long Wakeup Frame. In this case, the RTL8139B(L) support 5 wakeup frames, that are 2 normal wakeup frames and 3 long wakeup frames.

- \*\* last masked byte:** The last byte of the masked bytes of the received Wakeup Frame packet within offset 12 to 75 (or offset 12 to 139, in Long Wakeup Frame mode) should matches with the last byte of the masked bytes of the sample Wakeup Frame provided by the local machine's OS.

The PME# signal is asserted only when the following are approved,

- ◆ The PMEn bit (bit0, CONFIG1) is set to 1.
  - ◆ The PME\_En bit (bit8, PMCSR) in PCI Configuration Space is set to 1.
  - ◆ The RTL8139B(L) may assert PME# in current power state, or the RTL8139B(L) is in isolation state. Refer to PME\_Support(bit15-11) of the PMC register in PCI Configuration Space.
  - ◆ Magic Packet\*, LinkUp, or Wakeup Frame has occurred.
- \* Writing a 1 to the PME\_Status (bit15) of PMCSR register in the PCI Configuration Space will clear this bit and cause the RTL8139B(L) to stop asserting a PME# (if enabled).

When the RTL8139B(L) is in power down mode, ex. D1-D3, the IO, MEM, and Boot ROM space are all disabled. After RST# asserted, the power state must be changed to D0 if the original power state is D3<sub>cold</sub>. There is no hardware enforced delays at RTL8139B(L)'s power state. When in ACPI mode, the RTL8139B(L) does not support PME from D0 (owing to the setting of PMC register. This setting comes from EEPROM).

The RTL8139B(L) also supports LAN WAKE-UP function. The LWAKE pin is used to notify the motherboard to execute wake-up process whenever the RTL8139B(L) receives a wakeup event, such as Magic Packet\*.

The LWAKE signal is asserted according the following setting.

- ◆ LWPME bit (bit4, CONFIG4):
  - 0: The LWAKE is asserted whenever there is wakeup event occurs.
  - 1: The LWAKE can only be asserted when the PMEB is asserted and the ISOLATEB is low.
- ◆ Bit1 of DELAY byte(offset 1Fh, EEPROM): (only Rev.F and successors)
  - 0: LWAKE signal is disabled.
  - 1: LWAKE signal is enabled

## 7.5 VPD (Vital Product Data)

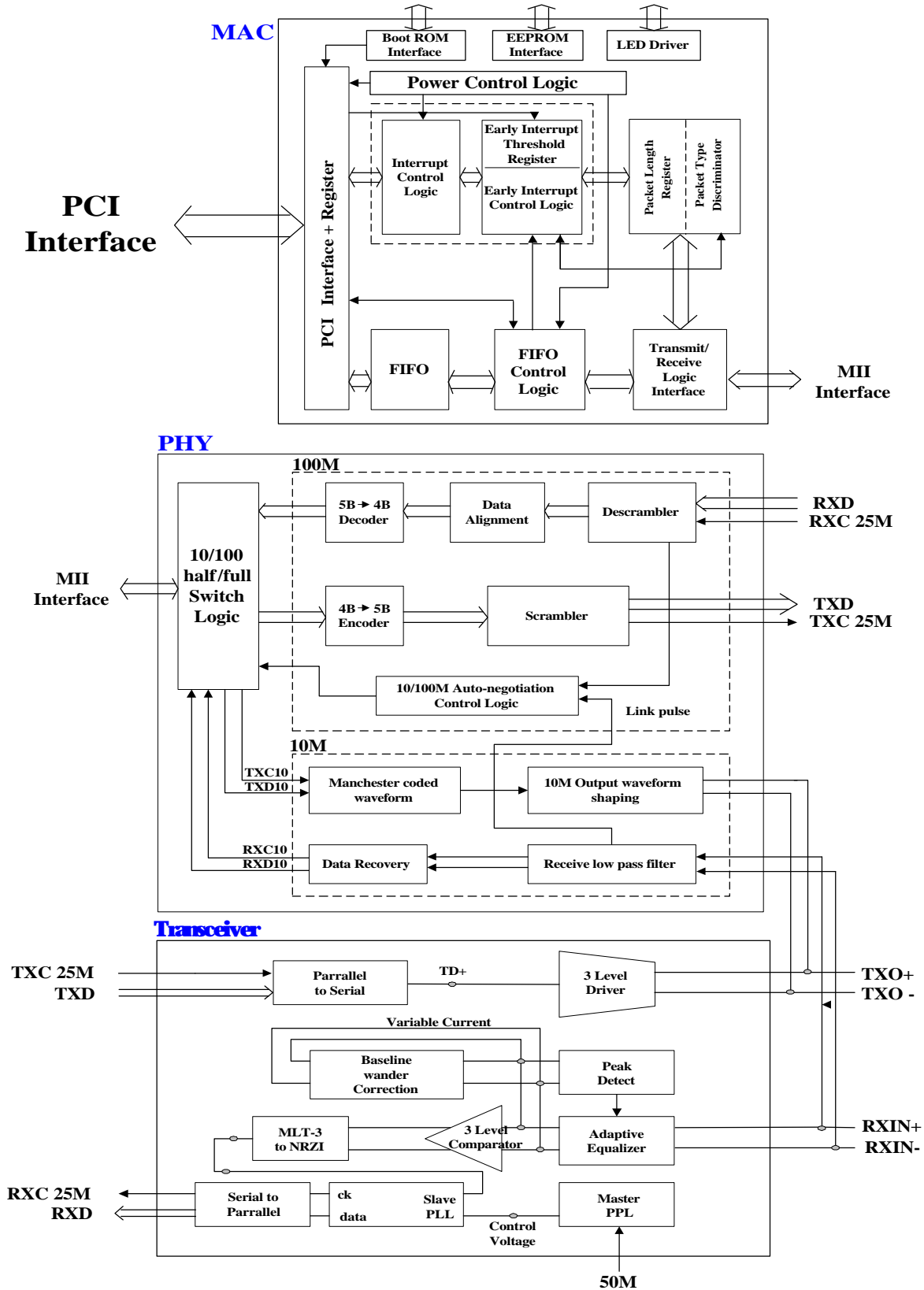
Bit 31 of the VPD is used to issue VPD read/write command and is also a flag used to indicate whether the transfer of data between the VPD data register and the 93C46/93C56 is completed or not.

1. Write VPD register: (write data to 93C46/93C56)

Write the flag bit to a one (at the same time the VPD address is written). When the flag bit is set to zero by the RTL8139B(L), the VPD data (all 4 bytes) has been transferred from the VPD data register to 93C46/93C56.

2. Read VPD register: (read data from 93C46/93C56)

Write the flag bit to a zero at the same time the VPD address is written). When the flag bit is Set to one by the RTL8139B(L), the VPD data (all 4 bytes) has been transferred from 93C46/93C56 to the VPD data register.

**8. Block Diagram**


## 9. Functional Description

### 9.1 Transmit operation

The host CPU initiates a transmit by storing an entire packet of data in one of the descriptors in the main memory. When the entire packet has been transferred to the Tx buffer, the RTL8139B(L) is instructed to move the data from the Tx buffer to the internal transmit FIFO in PCI bus master mode. When the transmit FIFO contains a complete packet or is filled to the programmed threshold level, the RTL8139B(L) begins packet transmission.

### 9.2 Receive operation

The incoming packet is placed in the RTL8139B(L)'s Rx FIFO. Concurrently, the RTL8139B(L) performs address filtering of multicast packets according to its hash algorithms. When the amount of data in the Rx FIFO reaches the level defined in the Receive Configuration Register, the RTL8139B(L) requests the PCI bus to begin transferring the data to the Rx buffer in **PCI bus master mode**.

### 9.3 Loopback Operation

The RTL8139B(L) supports **three** loopback modes : **Digital** loopback, **PHY** loopback and **Twister** loopback.

#### 9.3.1 Digital Loopback Mode

**Digital** loopback mode is normally used to verify that the internal **digital** logic functions correctly. In loopback mode, the RTL8139B(L) takes frames from the transmit descriptor and loops them back internally to the receive descriptor. In loopback mode, the RTL8139B(L) disconnects from the Ethernet cable.

#### 9.3.2 PHY Loopback Mode

**PHY** loopback mode is normally used to verify that the logic operations up to the **internal PHY layer** function correctly. In **PHY** loopback mode for 100Mbps, the RTL8139B(L) takes frames from the transmit descriptor and transmits them to clock generator/recovery interface.

#### 9.3.3 Twister Loopback Mode

**Twister** loopback mode is normally used to verify that the logic operations up to the Ethernet cable function correctly. In **Twister** loopback mode for 100Mbps, the RTL8139B(L) takes frames from the transmit descriptor and transmits them **up to internal Twister logic**.

### 9.4 Tx Encapsulation

While operating either in 100Base-Tx mode, the RTL8139B(L) encapsulates the frames that it transmits according to the 4B/5B code-groups table. The changes of the original packet data are listed as follows :

1. The first byte of the preamble in the MAC frame is replaced with the JK symbol pair.

2. After the CRC, the TR symbol pair is inserted.

## 9.5 Collision

If the RTL8139B(L) is not in the full-duplex mode, a collision event occurs when the receive input is not idle while the RTL8139B(L) transmits. If the collision was detected during the preamble transmission, the jam pattern is transmitted after completing the preamble (including the JK symbol pair).

## 9.6 Rx Decapsulation

The RTL8139B(L) continuously monitors the network when reception is enabled. When activity is recognized it starts to process the incoming data.

After detecting receive activity on the line, the RTL8139B(L) starts to process the preamble bytes based on the mode of operation.

While operating in 100Base-Tx mode, the RTL8139B(L) expects the frame to start with the symbol pair JK in the first byte of the 8-byte preamble.

The RTL8139B(L) checks the CRC bytes and checks if the packet data ends with the TR symbol pair, if not, the RTL8139B(L) reports an CRC error RSR.

The RTL8139B(L) reports a RSR<CRC> error in any of the following cases :

1. In the 100Base-Tx mode, one of the following occur.
  - a. An invalid symbol (4B/5B Table) is received in the middle of the frame.  
RSR<ISE> bit also sets.
  - b. The frame does not end with the TR symbol pair.

## 9.7 Flow Control

The RTL8139B(L) supports IEEE802.3X flow control to improve performance in full-duplex mode. It detects PAUSE packet to achieve flow control task.

### 9.7.1. Control Frame Transmission

When RTL8139B(L) detects its free receive buffer less than 3K bytes, it sends a **PAUSE packet with pause\_time(=FFFFh)** to inform the source station to stop transmission for the specified period of time. After the driver has processed the packets in the receive buffer and updated the boundary pointer, the RTL8139B(L) sends the other **PAUSE packet with pause\_time(=0000h)** to wake up the source station to restart transmission.

### 9.7.2. Control Frame Reception

RTL8139B(L) enters backoff state for the specified period of time when it receives a valid **PAUSE packet with pause\_time(=n)**. If the PAUSE packet is received while RTL8139B(L) is transmitting, RTL8139B(L) starts to backoff after current transmission completes. RTL8139B(L) frees to transmit next packets again when it receives a valid **PAUSE packet with pause\_time(=0000h)** or the **backoff timer(=n\*512 bit time)** elapses.

Note: The PAUSE operation cannot be used to inhibit transmission of MAC Control frames (e.g. PAUSE packet). The N-way flow control capability can be disabled, please refer to Section 6. EEPROM (93C46 or 93C56) Contents for detailed description.

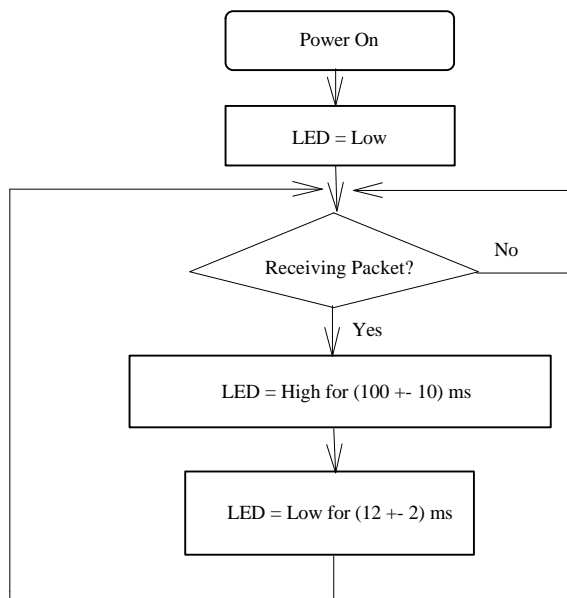
## 9.8 LED Functions

### 9.8.1 10/100 Mbps Link Monitor

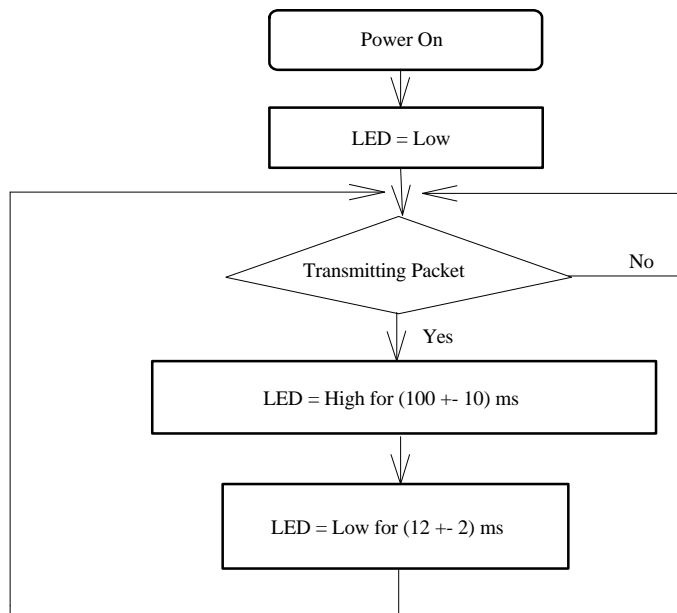
The Link Monitor senses the link integrity or if a station is down.

### 9.8.2 LED\_RX

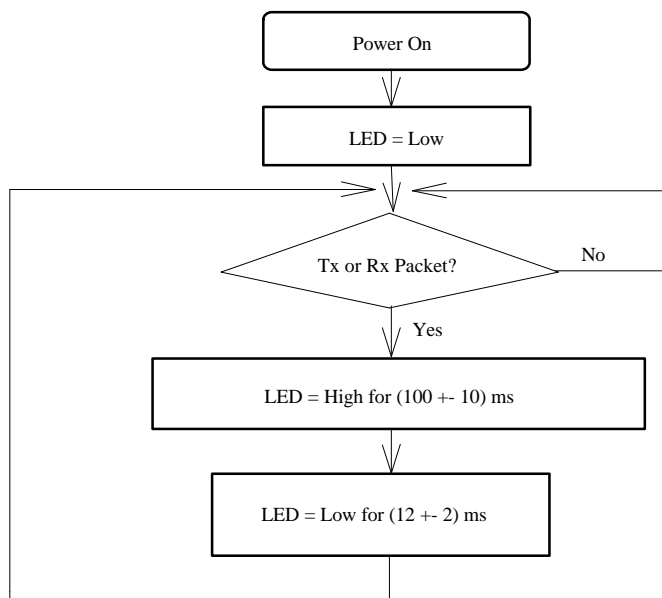
In 10/100 Mbps mode, the LED function is like RTL8129.



### 9.8.3 LED\_TX

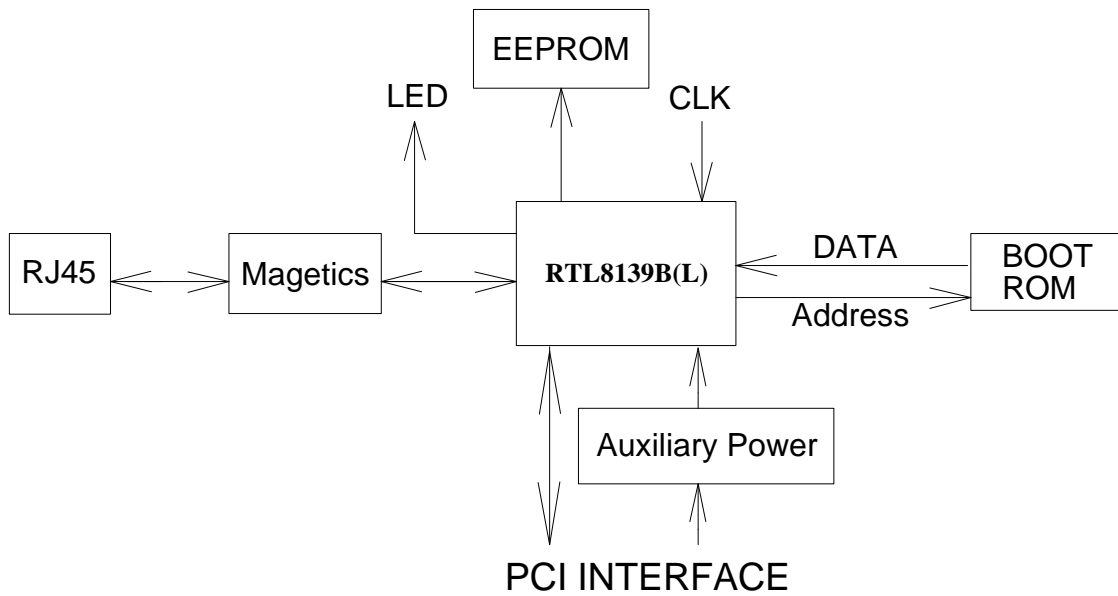


### 9.8.4 LED\_TX+LED\_RX





## 10. Application Diagram



## 11. ELECTRICAL CHARACTERISTICS

### 11.1 Temperature Limit Ratings:

Parameter	Minimum	Maximum	Units
Storage temperature	-55	+125	°C
Operating temperature	0	70	°C

### 11.2 DC CHARACTERISTICS:

#### 11.2.1 Supply voltage $V_{cc} = 5V \pm 5\%$

Symbol	Parameter	Conditions	Minimum	Maximum	Units
$V_{OH}$	Minimum High Level Output Voltage	$I_{OH} = -8mA$	3	$V_{cc}$	V
$V_{OL}$	Maximum Low Level Output Voltage	$I_{OL} = 8mA$		0.4	V
$V_{IH}$	Minimum High Level Input Voltage		2.0	$V_{cc} + 0.5$	V
$V_{IL}$	Maximum Low Level Input Voltage		-0.5	0.8	V
$I_{IN}$	Input Current	$V_{IN} = V_{CC}$ or GND	-1.0	1.0	uA
$I_{OZ}$	Tri-State Output Leakage Current	$V_{OUT} = V_{CC}$ or GND	-10	10	uA
$I_{CC}$	Average Operating Supply Current	$I_{OUT} = 0mA$ ,		330	mA

#### 11.2.2 Supply voltage $V_{cc}^* = 3.0V$ min. to $3.6V$ max.

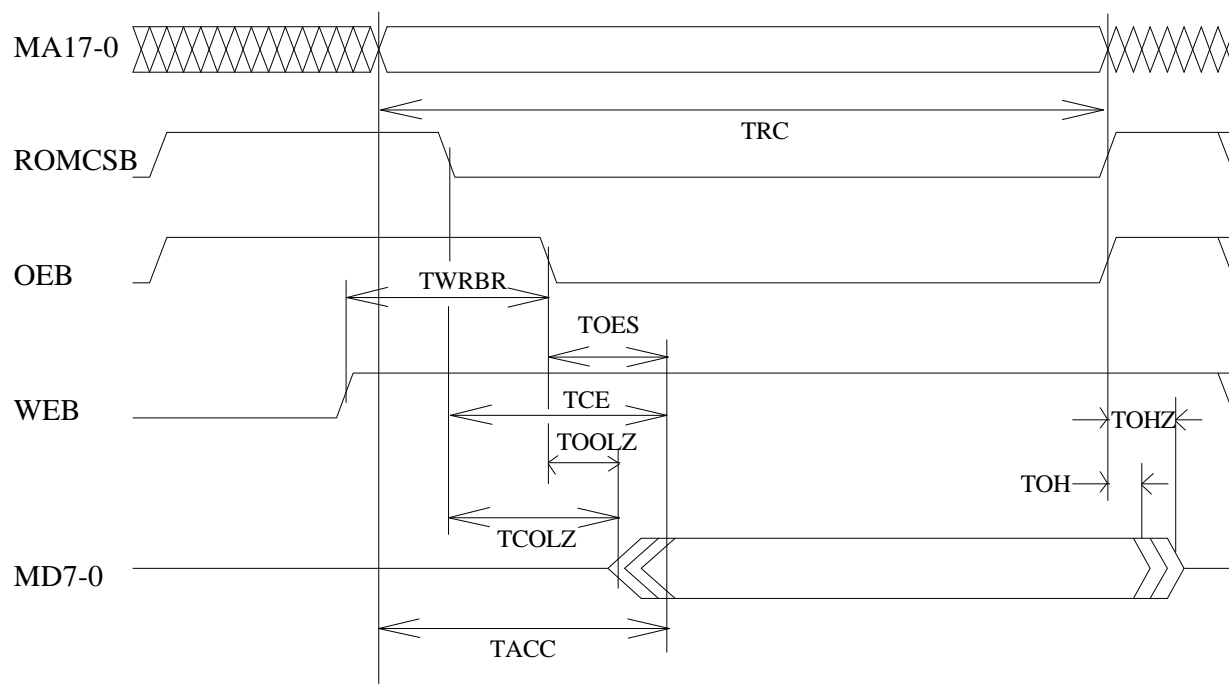
Symbol	Parameter	Conditions	Minimum	Maximum	Units
$V_{OH}$	Minimum High Level Output Voltage	$I_{OH} = -8mA$	$0.9 * V_{cc}$	$V_{cc}$	V
$V_{OL}$	Maximum Low Level Output Voltage	$I_{OL} = 8mA$		$0.1 * V_{cc}$	V
$V_{IH}$	Minimum High Level Input Voltage		$0.5 * V_{cc}$	$V_{cc} + 0.5$	V
$V_{IL}$	Maximum Low Level Input Voltage		-0.5	$0.3 * V_{cc}$	V
$I_{IN}$	Input Current	$V_{IN} = V_{CC}$ or GND	-1.0	1.0	uA
$I_{OZ}$	Tri-State Output Leakage Current	$V_{OUT} = V_{CC}$ or GND	-10	10	uA
$I_{CC}$	Average Operating Supply Current	$I_{OUT} = 0mA$ ,		330	mA

\* In 3.3V signaling environment, the supply voltage  $V_{cc}$  comes from PCI bus and should be converted to 5V to supply the required power to RTL8139B(L). The RTL8139B(L) uses VREF (pin54) to determine its PCI I/O signaling. The VREF pin should be pulled high to 3.3V via a resistor in 3.3V signaling environment, and may be left open in 5V signaling.

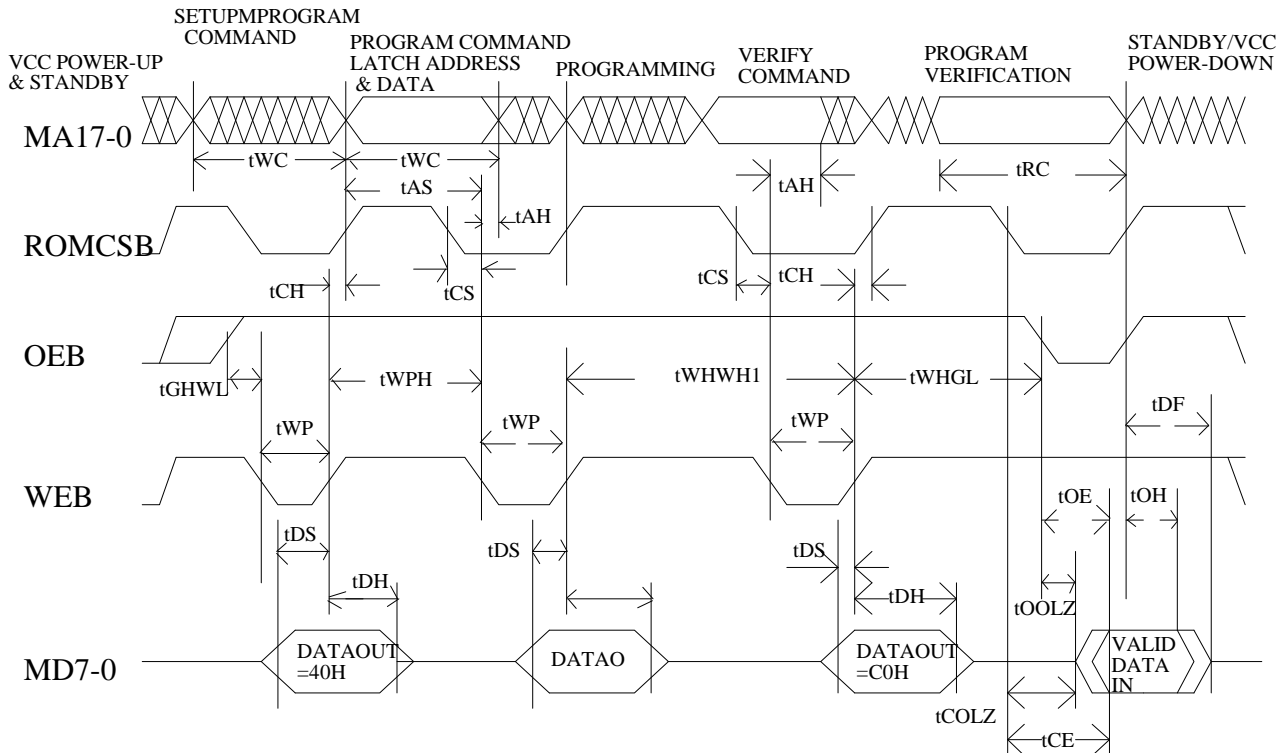
## 11.3 AC CHARACTERISTICS

### 11.3.1 FLASH/BOOT ROM Timing

#### 11.3.1.1 FLASH/BOOT ROM - Read



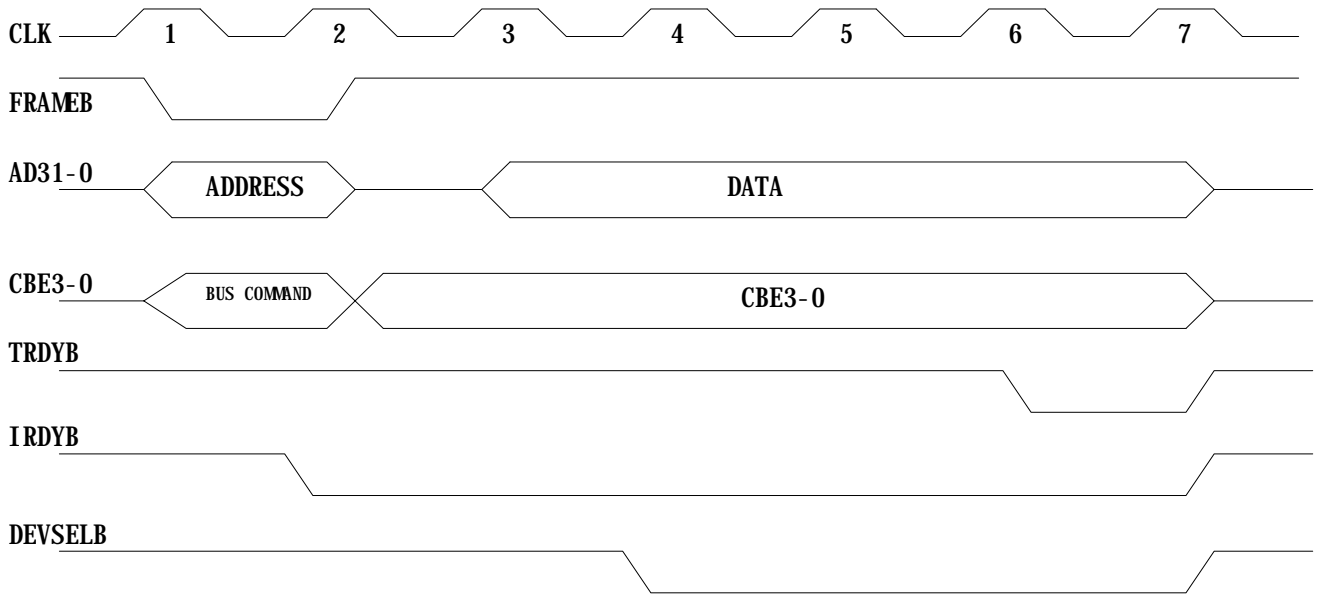
Symbol	Description	Minimum	Typical	Maximum	Units
TRC	Read Cycle	135	-	-	ns
TCE	Chip Enable Access Time	-	-	200	ns
TACC	Address Access Time	-	-	200	ns
TOES	Output Enable Access Time	-	-	60	ns
TCOLZ	Chip Enable to Output in Low Z	0	-	-	ns
TOOLZ	Output Enable to Output in Low Z	0	-	-	ns
TOHZ	Output Disable to Output in High Z	-	-	40	ns
TOH	Output Hold from Address, ROMCSB, or OEB	0	-	0	ns
TWRBR	Write Recovery time Before Read	6	-	-	us

**11.3..2 FLASH MEMORY - Write**


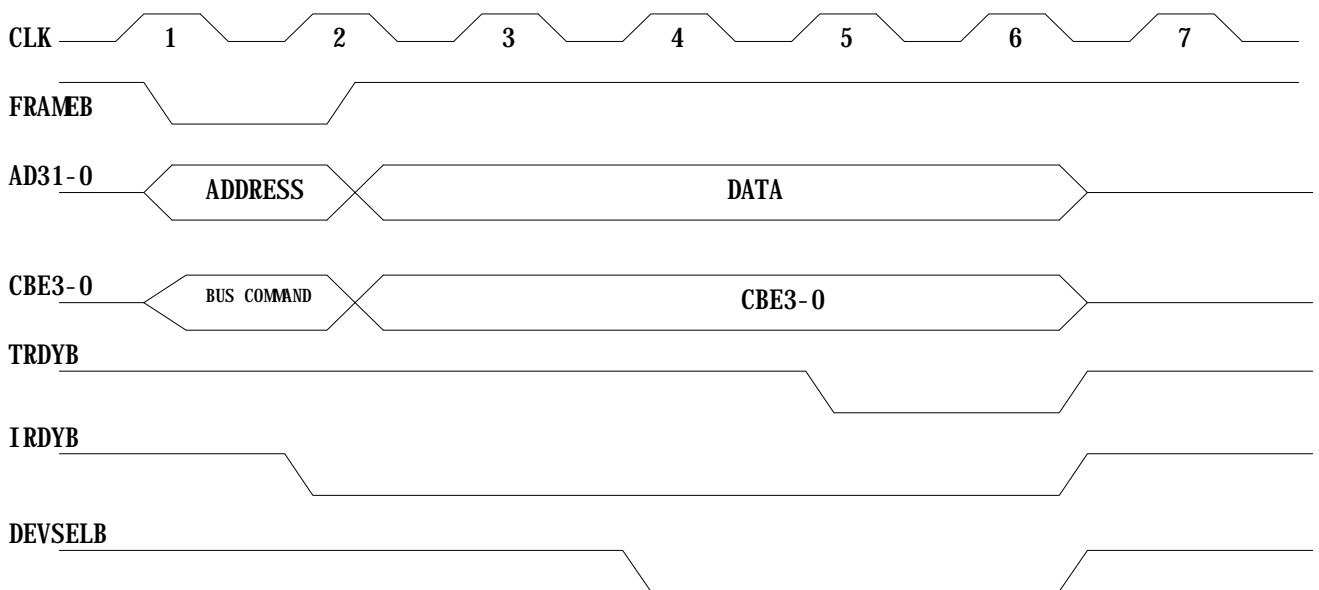
Symbol	Description	Minimum	Typical	Maximum	Units
TWC	Write Cycle Time	135	-	-	ns
TAS	Address Set-up Time	0	-	-	ns
TAH	Address Hold Time	60	-	-	ns
TDS	Data Set-up Time	50	-	-	ns
TDH	Data Hold Time	10	-	-	ns
TWHGL	Write Recovery Time before Read	6	-	-	us
TGHWL	Read Recovery Time before Write	0	-	-	us
TCS	Chip Enable Set-up Time before Write	20	-	-	ns
TCH	Chip Enable Hold Time	0	-	-	us
TWP	Write Pulse Width	50	-	-	ns
TWPH	Write Pulse Width High	20	-	-	ns
TWHWH1	Duration of Programming Operation	10	-	25	us

### 11.3.2 PCI Bus Operation Timing:

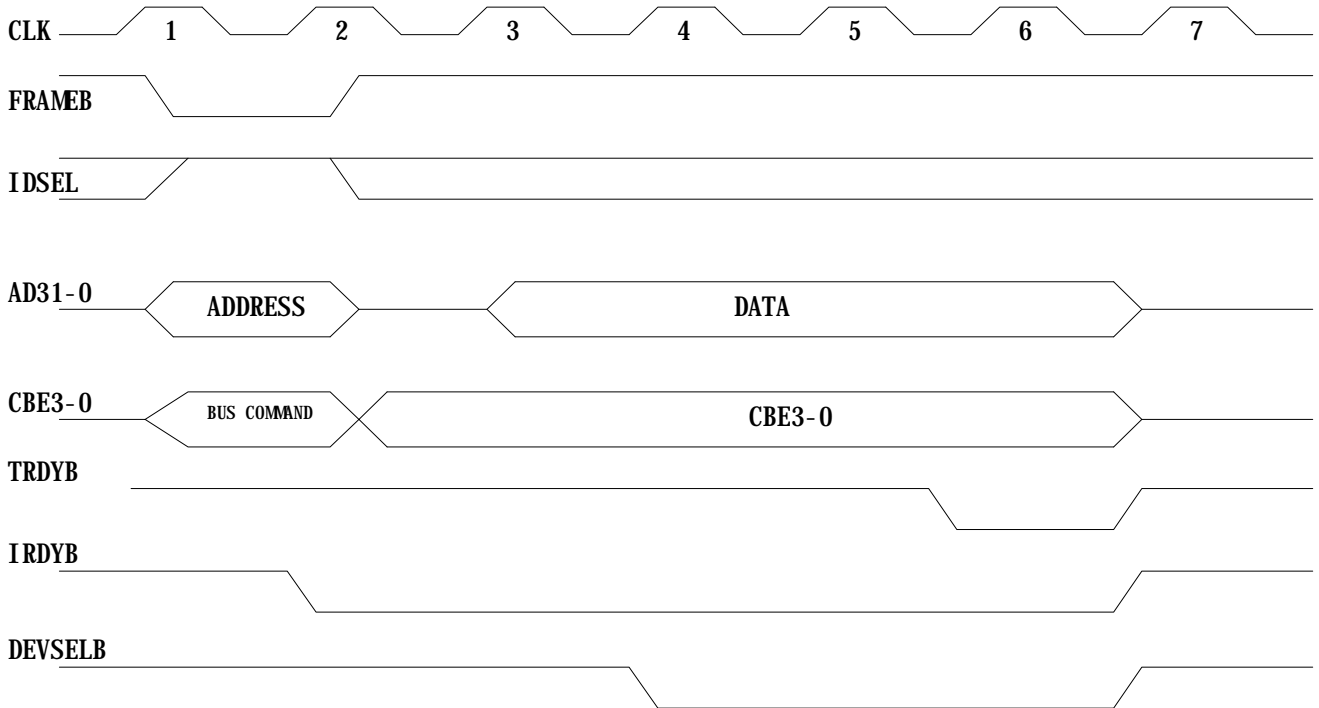
#### Target Read



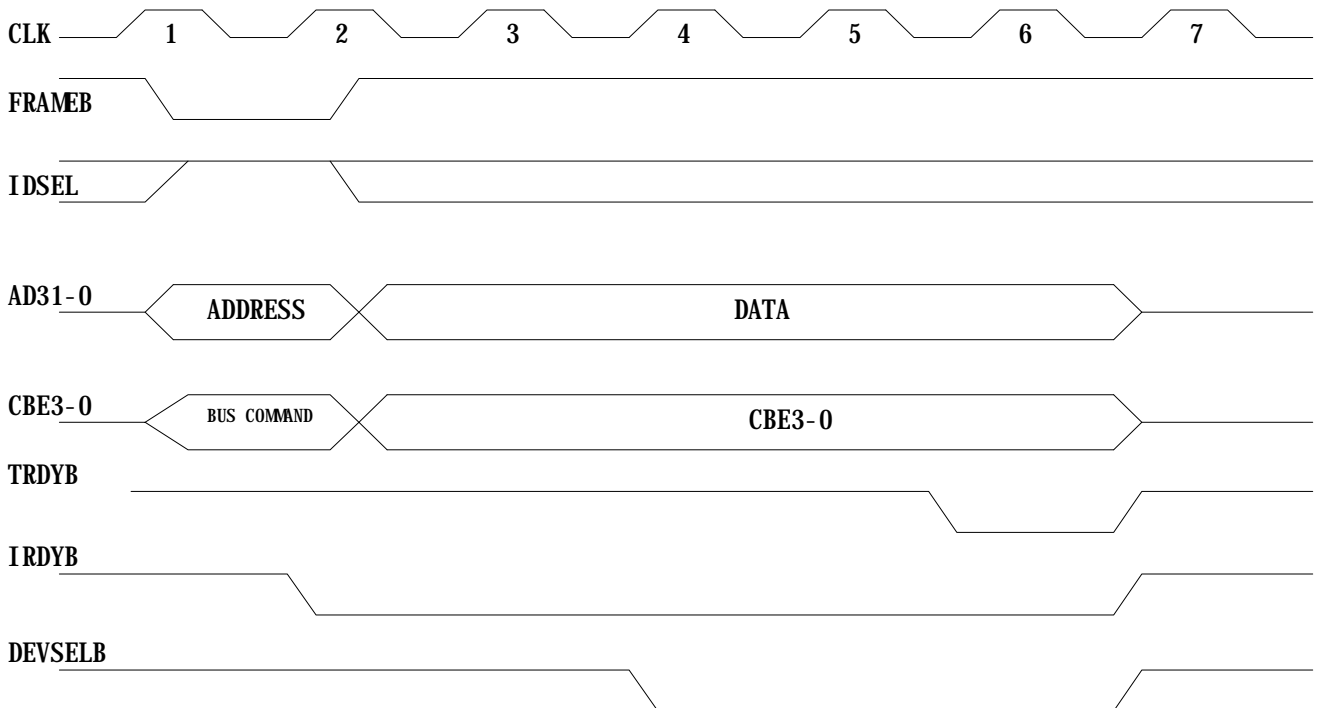
#### Target Write



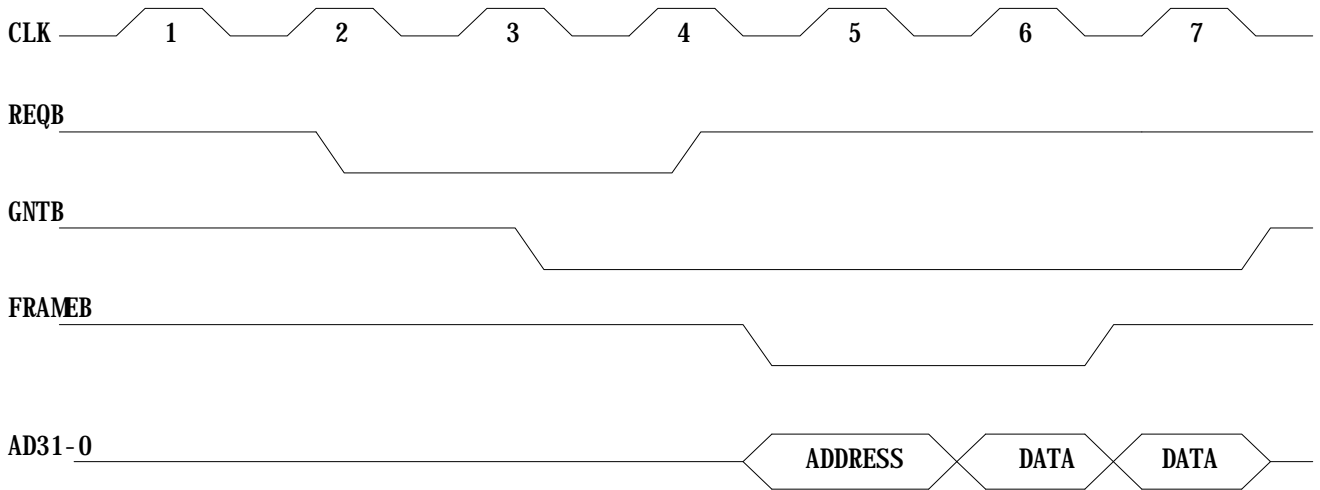
**Configuration Read**



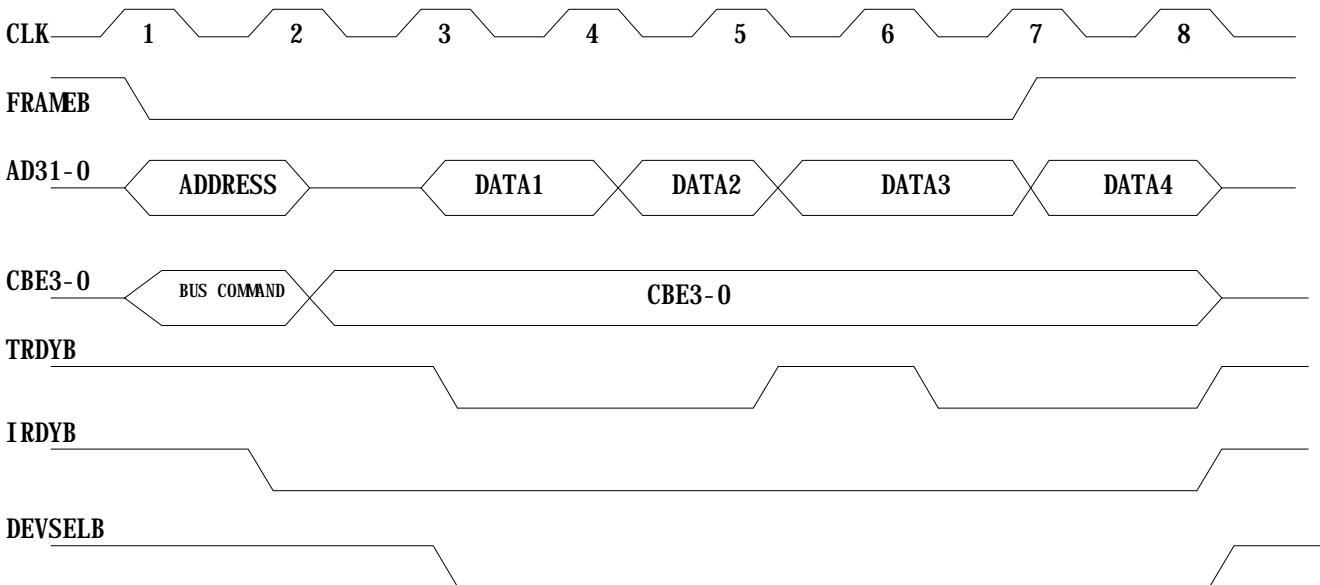
**Configuration Write**



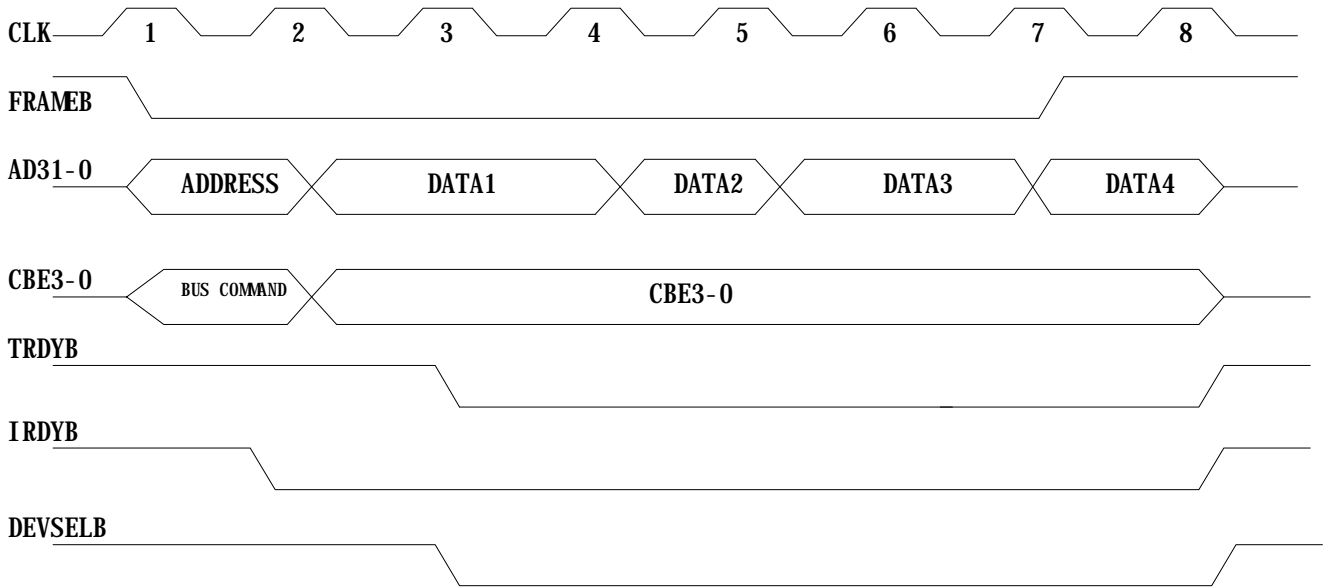
### BUS Arbitration



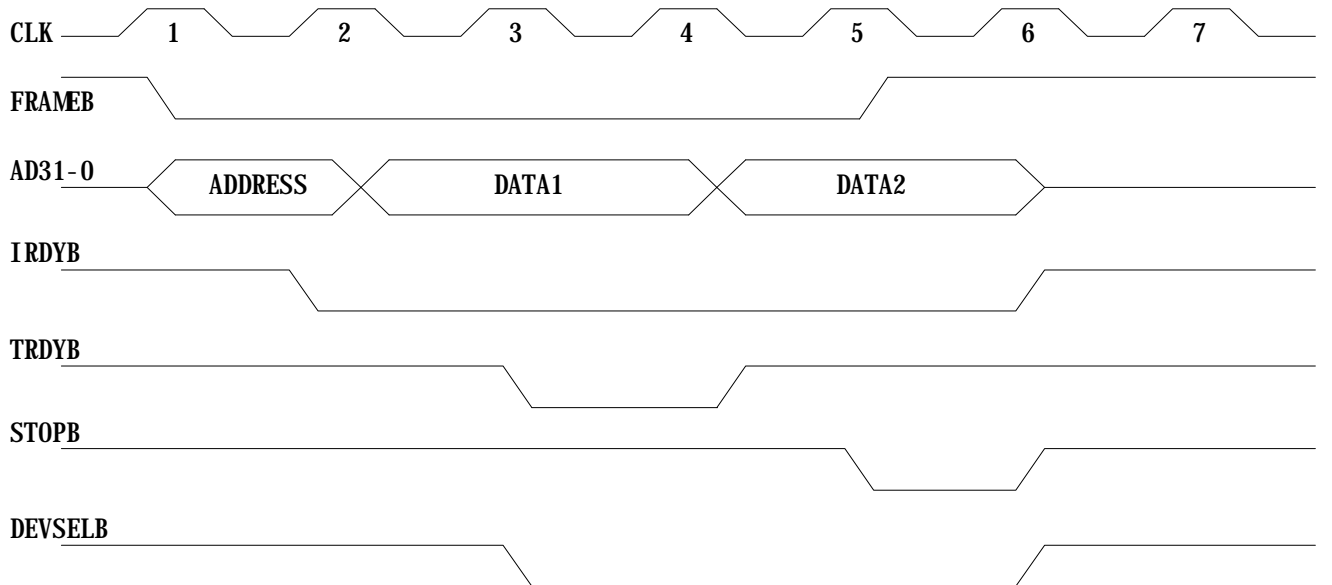
### Memory Read



**Memory Write**

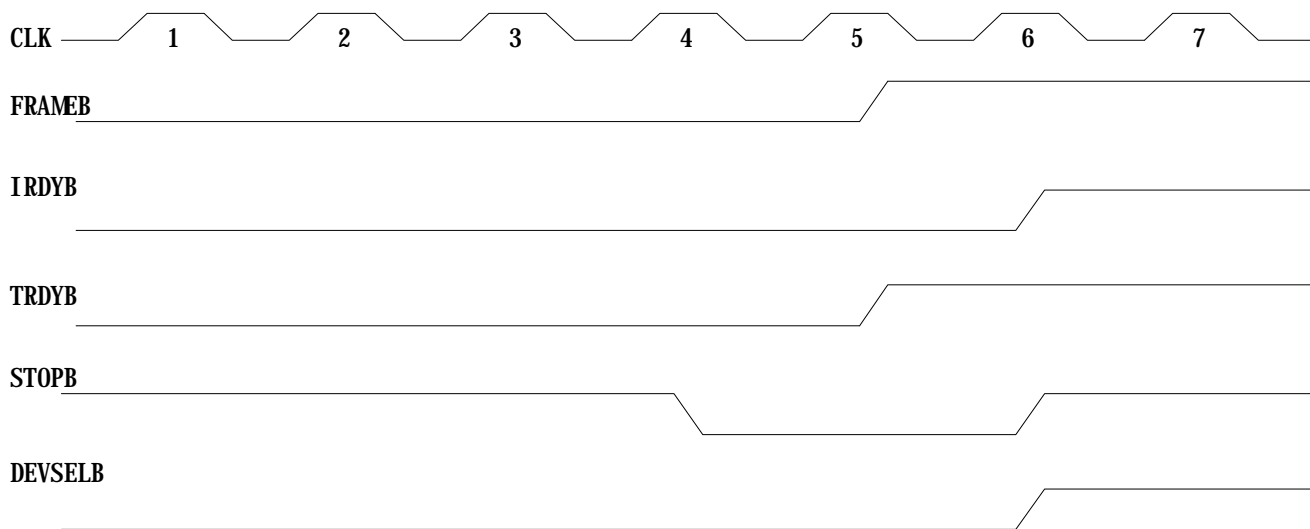


**Target Initiated Termination - Retry**

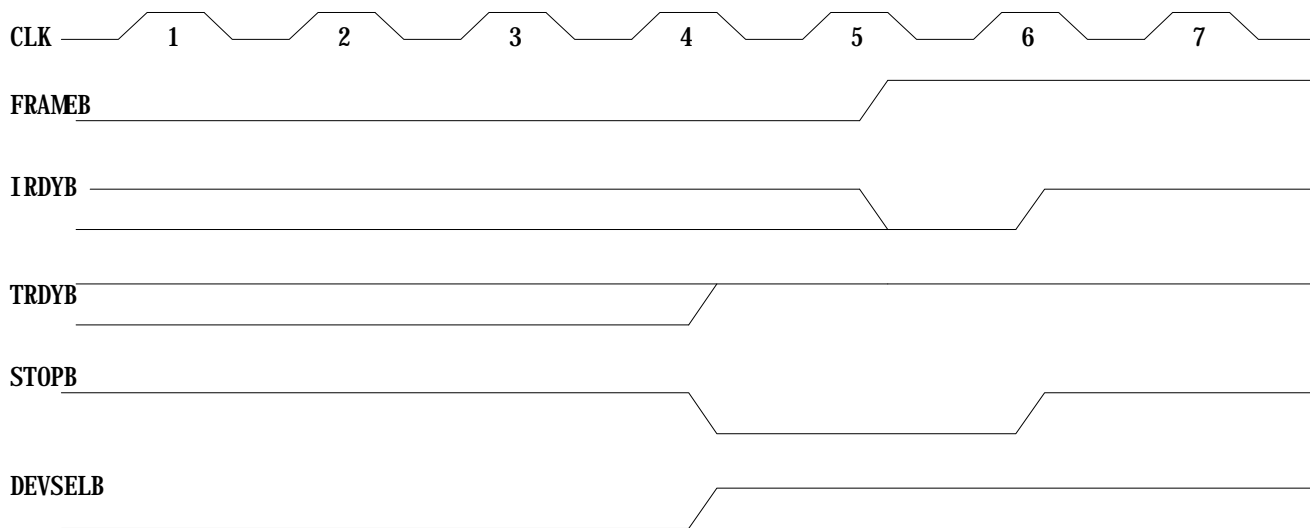




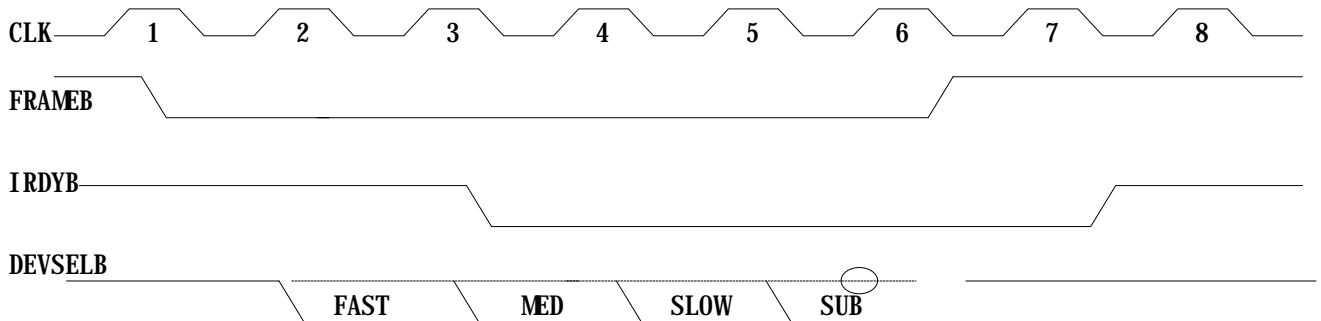
**Target Initiated Termination - Disconnect**



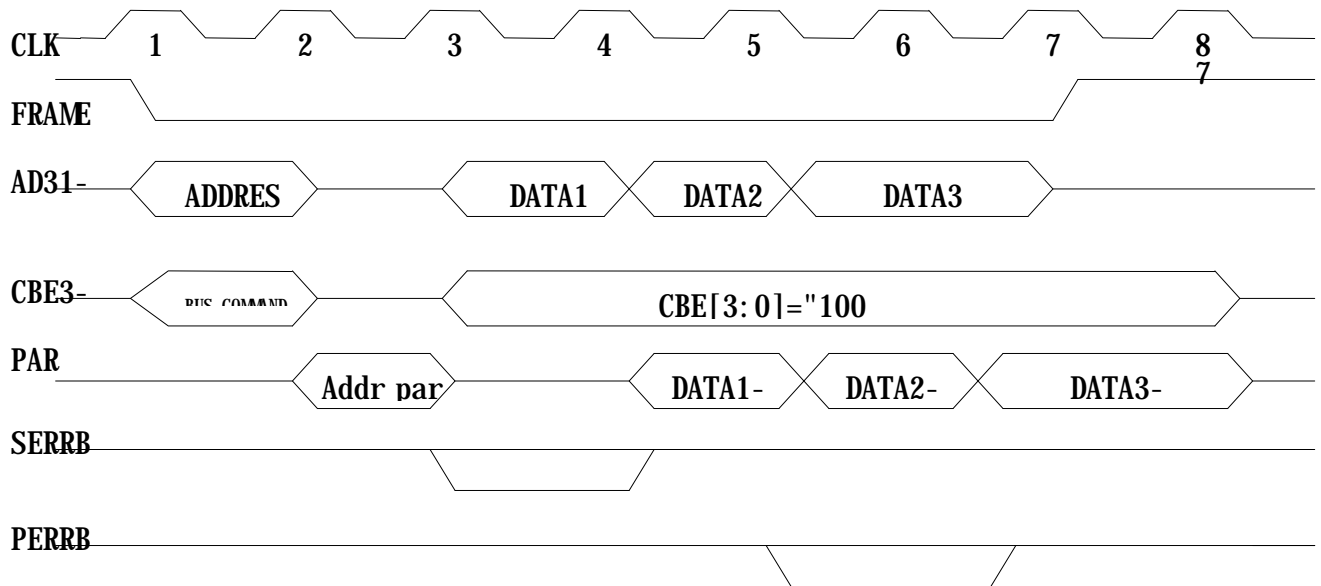
**Target Initiated Termination - Abort**



**Master Initiated Termination - Abort**



**Parity Operation - one example**



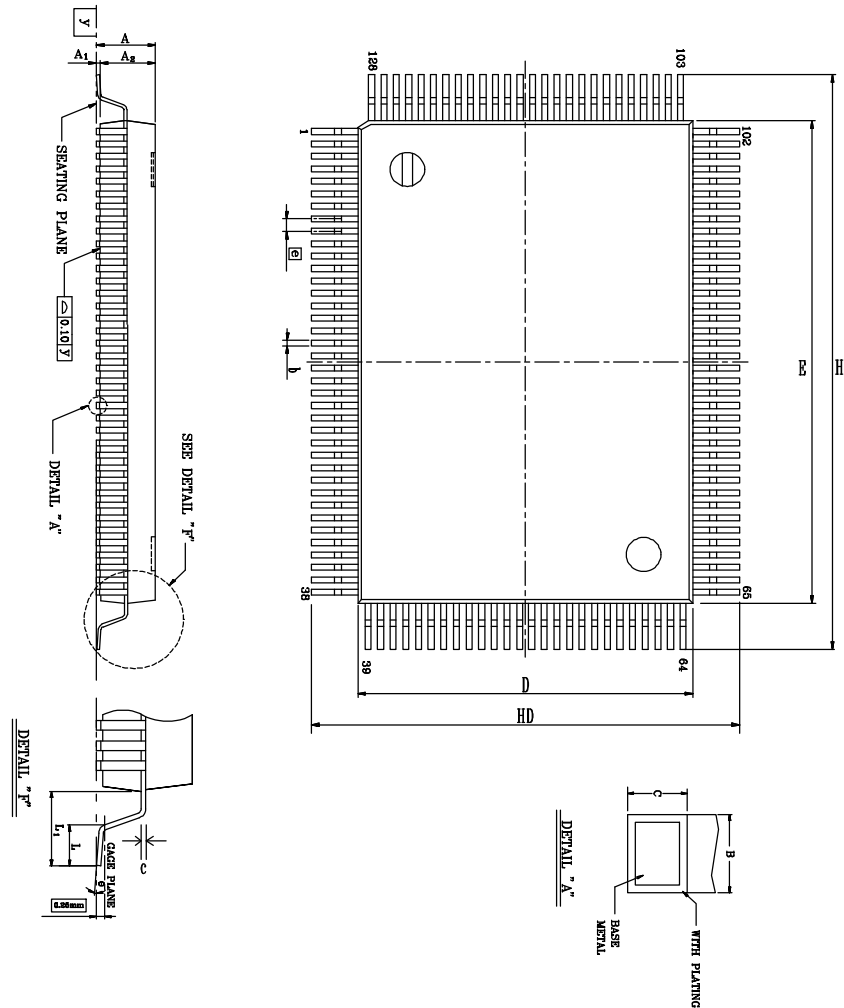
**Realtek Communication Product Division**

**Headquarters**

1F, No. 2, Industry East Road IX, Science-based  
Industrial Park, Hsinchu, 300, Taiwan, R.O.C.  
Tel : 886-3-5780211 Fax : 886-3-5776047

**Taipei Sales Office**

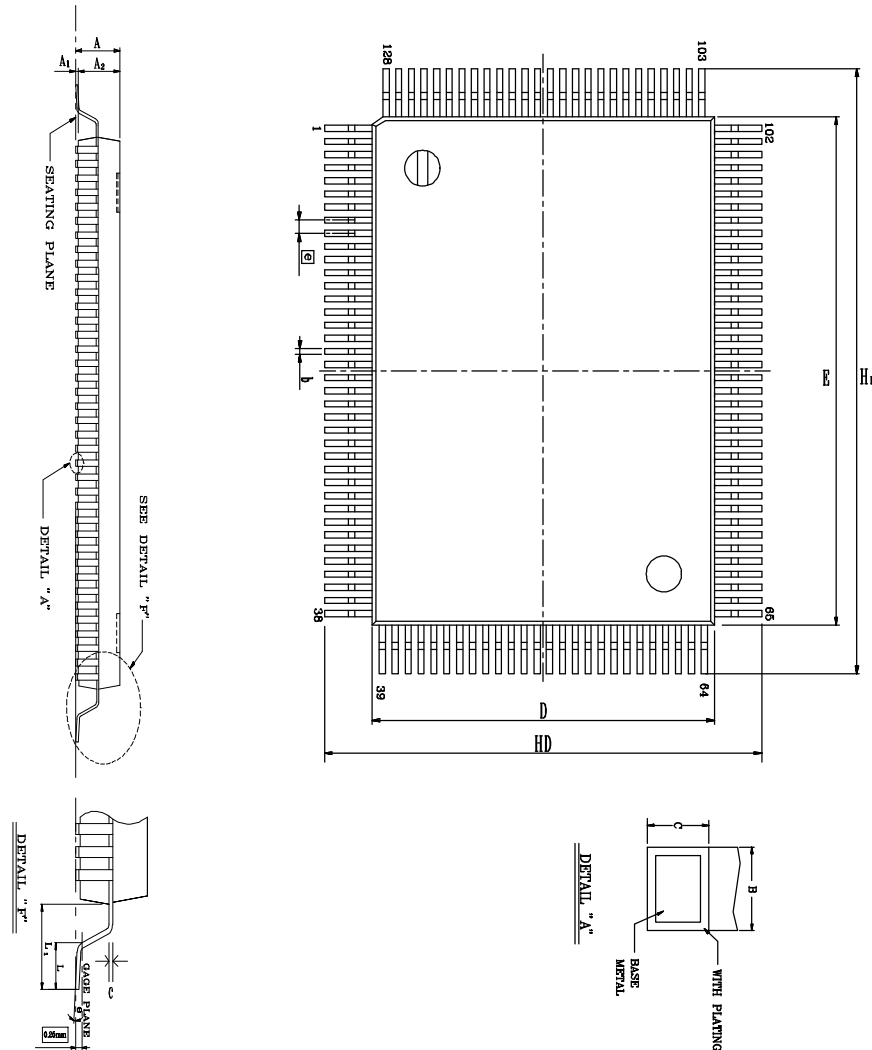
3F, No. 56, Wu-Kung 6 Road, Wu-Ku  
Industrial Park, Taipei Hsien, Taiwan, R.O.C.  
Tel : 886-2-2980098 Fax : 886-2-2980097


**Note :**

1. Dimension D & E do not include interlead flash.
2. Dimension b does not include dambar protrusion/intrusion.
3. Controlling dimension : Millimeter
4. General appearance spec. should be based on final visual inspection spec.

Symbol	Dimension in inch			Dimension in mm		
	Min	Type	Max	Min	Type	Max
<b>A</b>	$i \text{ } \bar{\Delta}$		0.134	$i \text{ } \bar{\Delta}$	$i \text{ } \bar{\Delta}$	3.40
<b>A1</b>	0.004	0.010	0.036	0.10	<b>0.25</b>	0.91
<b>A2</b>	0.102	0.112	0.122	2.60	<b>2.85</b>	3.10
<b>b</b>	0.005	0.009	0.013	0.12	<b>0.22</b>	0.32
<b>c</b>	0.002	0.006	0.010	0.05	<b>0.15</b>	0.25
<b>D</b>	0.541	0.551	0.561	13.75	<b>14.00</b>	14.25
<b>E</b>	0.778	0.787	0.797	19.75	<b>20.00</b>	20.25
<b>e</b>	0.010	0.020	0.030	0.25	<b>0.5</b>	0.75
<b>HD</b>	0.665	0.677	0.689	16.90	<b>17.20</b>	17.50
<b>HE</b>	0.902	0.913	0.925	22.90	<b>23.20</b>	23.50
<b>L</b>	0.027	0.035	0.043	0.68	<b>0.88</b>	1.08
<b>L1</b>	0.053	0.063	0.073	1.35	<b>1.60</b>	1.85
<b>y</b>	-	-	0.004	-	-	0.10
<b>q</b>	0°	-	12°	0°	-	12°

<b>TITLE : 128 QFP (14x20 mm ) PACKAGE OUTLINE</b> -CU L/F, FOOTPRINT 3.2 mm			
<b>LEADFRAME MATERIAL :</b>			
APPROVE		DOC. NO.	530-ASS-P004
		VERSION	1
		PAGE	OF
CHECK		DWG NO.	Q128 - 1
		DATE	Oct. 08 1998
<b>REALTEK SEMI-CONDUCTOR CO., LTD</b>			


**Note:**

- 1.Dimension b does not include dambar protrusion/intrusion
- 2.Controlling dimension: Millimeter
- 3.General appearance spec. should be based on final visual inspection spec.

Symbol	Dimension in inch			Dimension in mm		
	Min	Type	Max	Min	Type	Max
<b>A</b>	i $\bar{D}$	i $\bar{D}$	0.067	i $\bar{D}$	i $\bar{D}$	1.70
<b>A1</b>	0.000	0.004	0.008	0.00	i $\bar{D}$	0.25
<b>A2</b>	0.051	0.055	0.059	1.30	<b>1.40</b>	1.50
<b>b</b>	0.006	0.009	0.011	0.15	<b>0.22</b>	0.29
<b>c</b>	0.004	i $\bar{D}$	0.006	0.09	i $\bar{D}$	0.20
<b>D</b>	0.541	0.551	0.561	13.75	<b>14.00</b>	14.25
<b>E</b>	0.778	0.787	0.797	19.75	<b>20.00</b>	20.25
<b>e</b>		0.020	BSC		0.50	BSC
<b>HD</b>	0.620	0.630	0.640	15.90	<b>16.00</b>	16.30
<b>HE</b>	0.855	0.866	0.877	21.70	<b>22.00</b>	23.30
<b>L</b>	0.016	0.024	0.031	0.45	<b>0.60</b>	0.75
<b>L1</b>		0.039	REF		1.00	REF
<b>q</b>	0°	3.5°	9°	0°	3.5°	9°

TITLE : 128LD LQFP ( 14x20x1.4 mm*2 ) PACKAGE OUTLINE			
-CU L/F, FOOTPRINT 2.0 mm			
LEADFRAME MATERIAL:			
APPROVE	DOC. NO.	530-ASS-P004	
	VERSION	1	
	PAGE	OF	
CHECK	DWG NO.	LQ128 - 1	
	DATE	Oct. 08.1998	
<b>REALTEK SEMI-CONDUCTOR CO., LTD</b>			

Note; The **RED** Font indicates the updated part.(From V2.1 to V2.2)  
The **PINK** Font indicates the updated part.(From V2.2 to V2.3)  
The **BLUE** Font indicates the updated part.(From V2.3 to V2.4)