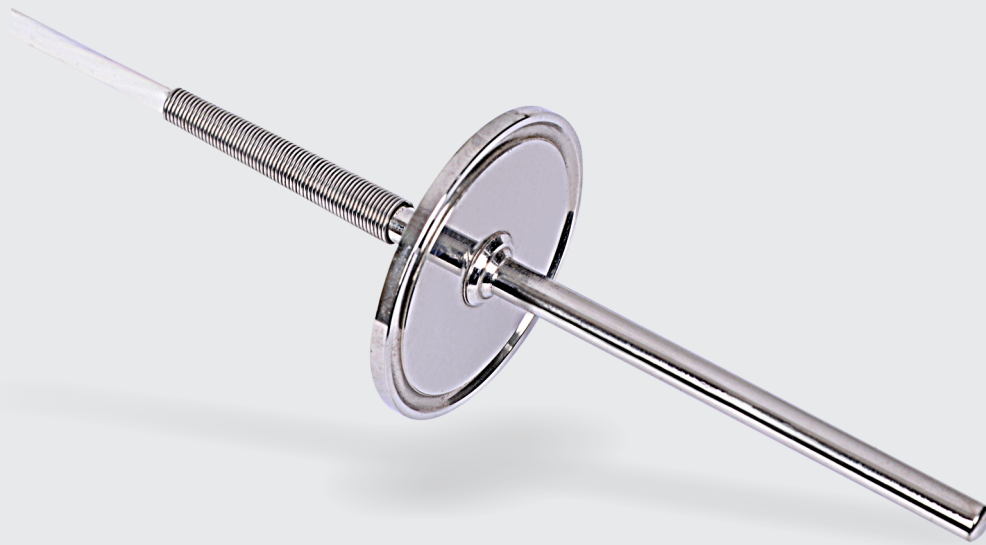


SANITARY RTDs

RTD With Triclover Connection & Integral Cable

RTS600



Pt100/Pt1000, 3-wire/4-wire
Simplex/Duplex



Range
-50 to 250°C (-58 to 482°F)



Accuracy
Class A / AA



Roughness Value (Ra) $\leq 0.8 \mu\text{m}$ &
 $\leq 0.4 \mu\text{m}$ for Non-wetted
and Wetted Parts Respectively

RTD With Triclover Connection & Integral Cable

ABOUT RTS600

RTS600 model is used for temperature measurement in sanitary, hygienic, clean-in-place (CIP), food, dairy, beverage, bio-pharmaceutical & chemical processes where contamination / cleanliness is of great concern. It is compatible with 3 and 4-wire RTD instruments and transmitters. It complies with industry standards for sanitary applications.

SPECIFICATIONS

RTD type	Pt100/Pt1000, 3-wire/4-wire
No. of elements	Simplex/Duplex/Triplex
Accuracy	Class A / AA (1/3 DIN) to IEC 60751
Sheath diameter	See Ordering Information
Sheath length	See Ordering Information
Sheath material	SS316L (1.4404)
Tip rating	-50 to 250°C (-58 to 482°F)
Process connection	Triclover connection in 1/2" (25.0 mm), 3/4" (25.0 mm), 1/1.5" (50.4 mm), 2" (64 mm) & 2.5" (77.5 mm) sizes
Termination	Cable with lugs - See Table 2
Cable length	See Ordering Information
Cable type	See Ordering Information

TABLE 1 : WIRING DIAGRAMS

3-WIRE, SIMPLEX	4-WIRE, SIMPLEX	3-WIRE, DUPLEX	4-WIRE, DUPLEX

TABLE 2 : CABLE END TERMINATION LUGS

 BR - BARE LEADS	 PN - PIN TYPE	 FR - FORK TYPE LUGS	 FL - FLAT LUGS
---------------------	-------------------	-------------------------	--------------------

TABLE 3 : CONSTRUCTION mm (inch)

Fig 1 : Fixed triclover with reduced tip [SL < 50 mm (2")]

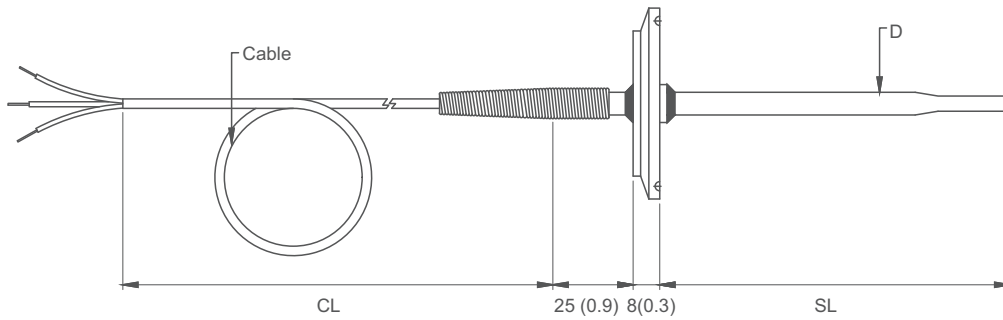


Fig 2 : Fixed triclover [SL > 50 mm (2")]

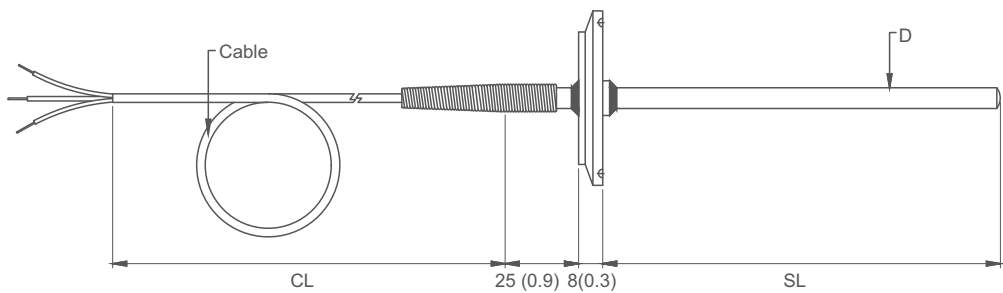
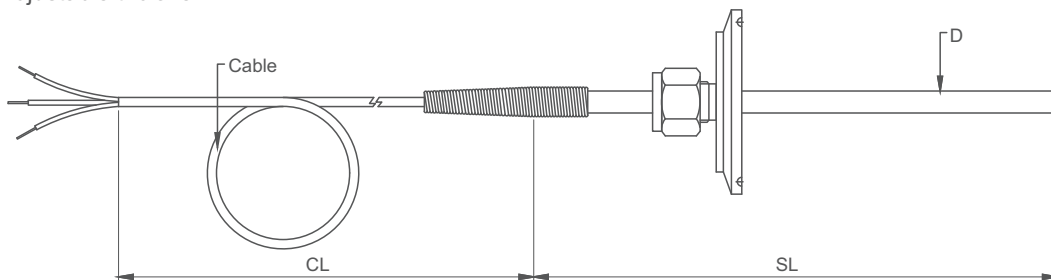


Fig 3 : Adjustable triclover



Abbreviations

D - Sheath Diameter, SL - Sheath Length, CL - Cable Length

TECHNICAL DATA

Accuracy			
Pt100 (IEC 60751)	Class B	$\pm 0.3^{\circ}\text{C at } 0^{\circ}\text{C} \pm (0.3 + 0.005 \times t)^{\circ}\text{C}$	$\pm 0.54^{\circ}\text{F at } 32^{\circ}\text{F} \pm (0.54 + 0.005 \times t)^{\circ}\text{F}$
	Class A	$\pm 0.15^{\circ}\text{C at } 0^{\circ}\text{C} \pm (0.15 + 0.002 \times t)^{\circ}\text{C}$	$\pm 0.27^{\circ}\text{F at } 32^{\circ}\text{F} \pm (0.27 + 0.002 \times t)^{\circ}\text{F}$
	1/3 DIN	$\pm 0.1^{\circ}\text{C at } 0^{\circ}\text{C} \pm 1/3 \times (0.3 + 0.005 \times t)^{\circ}\text{C}$	$\pm 0.18^{\circ}\text{F at } 32^{\circ}\text{F} \pm 1/3 \times (0.54 + 0.005 \times t)^{\circ}\text{F}$
	1/5 DIN	$\pm 0.06^{\circ}\text{C at } 0^{\circ}\text{C} \pm 1/5 \times (0.3 + 0.005 \times t)^{\circ}\text{C}$	$\pm 0.108^{\circ}\text{F at } 32^{\circ}\text{F} \pm 1/5 \times (0.54 + 0.005 \times t)^{\circ}\text{F}$
Pt1000 (IEC 60751)	Class B	$\pm 0.3^{\circ}\text{C at } 0^{\circ}\text{C} \pm (0.3 + 0.005 \times t)^{\circ}\text{C}$	$\pm 0.54^{\circ}\text{F at } 32^{\circ}\text{F} \pm (0.54 + 0.005 \times t)^{\circ}\text{F}$
	Class A	$\pm 0.15^{\circ}\text{C at } 0^{\circ}\text{C} \pm (0.15 + 0.002 \times t)^{\circ}\text{C}$	$\pm 0.27^{\circ}\text{F at } 32^{\circ}\text{F} \pm (0.27 + 0.002 \times t)^{\circ}\text{F}$
Surface finish of wetted parts	Ra \leq 0.4 μm		

FEATURES SUMMARY

- Light in weight & easy to install
- Triclover made of SS316L
- -50 to 250°C (-58 to 482°F) range
- CE certification & NABL calibrations options

ORDERING INFORMATION (See Preferred Order Codes - Table 4 also)

CODE	SPECIFICATIONS	1	2	3	4	5	6	7	8	9	10	11	12	13	14	15
RTS600																
1	Construction (See Table 3)															
	Fixed Triclover with reduced tip [SL <50 mm (2")]	1														
	Fixed Triclover [SL >50 mm (2")]	2														
	Adjustable Triclover	3														
2	No. of elements															
	Simplex		S													
	Duplex		D													
	Triplex		T													
3	RTD type															
	Pt100, 3-wire			A												
	Pt100, 4-wire			B												
	Pt1000, 3-wire			C												
	Pt1000, 4-wire			D												

continued ...

SANITARY RTDs

RTS600

RTD With Triclover Connection & Integral Cable

... continued

ORDERING INFORMATION (See Preferred Order Codes - Table 4 also)

CODE	SPECIFICATIONS	1	2	3	4	5	6	7	8	9	10	11	12	13	14	15	16
RTS600																	
4	Accuracy																
	Class A				1												
	Class B				2												
	1/3 DIN*				3												
	1/5 DIN*#				4												
5	Process connection (Triclover)																
	1/2" (25.0 mm)					12											
	3/4" (25.0 mm)					19											
	1/1.5" (50.4 mm)					25											
	2" (64 mm)					50											
	2.5" (77.5 mm)					63											
6	Sheath diameter (D - See Table 3)																
	3 mm (0.11")						003										
	4 mm (0.15")						004										
	6 mm (0.23")						006										
	6 mm (0.23") reduced to 4 mm (0.15")						06R										
	8 mm (0.31")						008										
	8 mm (0.31") reduced to 5 mm (0.19")						08R										
	9.5 mm (0.37")						095										
	10 mm (0.39")						010										
	12 mm (0.47")						012										
	10 mm (0.39") reduced to 6 mm (0.23")						10R										
	12 mm (0.47") reduced to 8 mm (0.31")						12R										
7	Sheath length (SL - See Table 3)																
	30 mm (1.18")							0030									
	50 mm (1.96")							0050									
	60 mm (2.36")							0060									
	75 mm (2.95")							0075									
	100 mm (3.93")							0100									
	150 mm (5.90")							0150									
	200 mm (7.87")							0200									
	1000 mm (39.37")							1000									
	Customer to specify							XXXX									
8	Cable length (CL - See Table 3)																
	1 m (3.28 ft)								01								
	3 m (9.84 ft)								03								
	5 m (16.4 ft)								05								
	7 m (23 ft)								07								
	10 m (32.80 ft)								10								
	Customer to specify								XX								
9	Cable insulation																
	PTFE / PTFE									TT							
	PFA insulated cable									PF							
	Teflon silicone rubber									SI							

* Note 1 : Not offered in Pt1000 assemblies

Note 2 : 1/5 DIN is available for limited configurations/construction/design

continued ...

RTD With Triclover Connection & Integral Cable

... continued

ORDERING INFORMATION (See Preferred Order Codes - Table 4 also)

CODE	SPECIFICATIONS	1	2	3	4	5	6	7	8	9	10	11	12	13	14	15	16
RTS600																	
	ACCESSORIES																
10	Cable end termination lugs																
	Bare leads											BR					
	Pin type											PN					
	Fork type											FR					
	Flat type											FL					
11	CE certification											CE					
12	Calibration type																
	NABL-traceable calibration												TR				
	NABL-accredited calibration												NB				
13	No. of calibration points (For 12)																
	3 point													3			
	5 Point													5			
14	Tag plate															TA	
15	Future parameters A																
	For future use																FA
16	Future parameters B																
	For future use																FB

CODE | 1 | 2 | 3 | 4 | 5 | 6 | 7 | 8 | 9 | 10 | 11 | 12 | 13 | 14 | 15 | 16

Order Code Format : XXXXXX-X-X-X-X-XX-XXX-XXXX-XX-XX-XX-XX-XX-X-XX-XX-XX

Example

RTS600, Fixed Triclover [SL > 50 mm (2")], Simplex element, Pt100, 3-wire, Class A, 1/1.5" (50.4 mm) Triclover, 6 mm (0.23") sheath diameter, 100 mm (3.93") sheath length, 5 m (16.4 ft) PTFE / PTFE cable length

RTS600-2-S-B-1-2-06-100-5-TT

The Preferred Order Codes in the Table 4 below will be available with shorter deliveries and/or better prices.

TABLE 4 : PREFERRED ORDER CODES

Order code	Construction	No. of elements	Process connection (Triclover)	Sheath diameter	Sheath length	Cable length
RTS600-1-S-B-1-25-6R-30-5-TT	Fixed Triclover with reduced tip	Simplex	1/1.5" (50.4 mm)	6 mm (0.23") reduced to 4 mm (0.16")	30 mm (1.18")	5 m (16.4 ft) PTFE Insulated
RTS600-2-D-B-1-12-6-50-5-TT	Fixed Triclover	Duplex	1/2" (25.4 mm)	6 mm (0.23")	50 mm (2")	5 m (16.4 ft) PTFE Insulated
RTS600-2-D-B-1-25-6-100-5-TT	Fixed Triclover	Duplex	1/1.5" (50.4 mm)	6 mm (0.23")	100 mm (4")	5 m (16.4 ft) PTFE Insulated
RTS600-2-D-B-1-25-6-50-10-TT	Fixed Triclover	Duplex	1/1.5" (50.4 mm)	6 mm (0.23")	50 mm (2")	10 m (30.8 ft) PTFE Insulated
RTS600-2-S-B-1-25-6-100-10-PFA	Fixed Triclover	Simplex	1/1.5" (50.4 mm)	6 mm (0.23")	100 mm (4")	10 m (30.8 ft) PFA Insulated
RTS600-2-S-B-1-25-6-110-3-SI	Fixed Triclover	Simplex	1/1.5" (50.4 mm)	6 mm (0.23")	110 mm (4.3")	3 m (9.84 ft) Teflon Silicone
RTS600-3-S-B-1-19-6-300-5-TT	Adjustable Triclover	Simplex	3/4" (50.4 mm)	6 mm (0.23")	300 mm (11.8")	5 m (16.4 ft) PTFE Insulated
RTS600-3-S-B-1-19-6-600-3-TT	Adjustable Triclover	Simplex	3/4" (50.4 mm)	6 mm (0.23")	600 mm (23.6")	3 m (9.84 ft) PTFE Insulated

SANITARY RTDs

ENQUIRIES

Email : sensors@radix.co.in

Call : + 91 93214 15829

Website : www.radix.co.in

CAT#01R0/A