

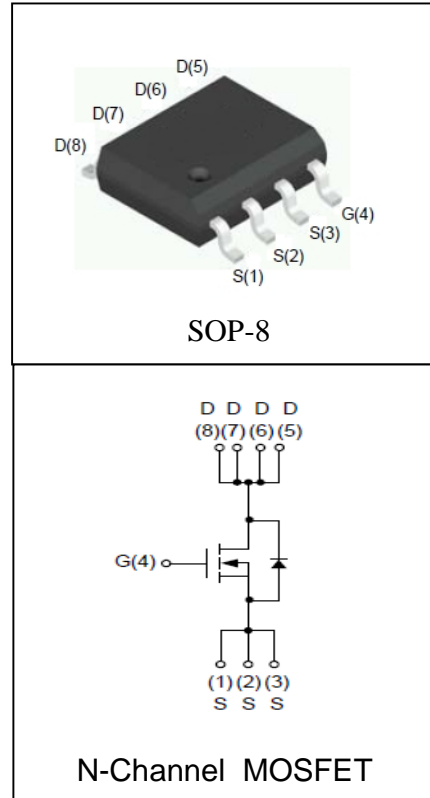
## Features

- 30V/8A,  
 $R_{DS(ON)} = 18m\Omega$  (Typ.) @  $V_{GS} = 10V$   
 $R_{DS(ON)} = 40m\Omega$  (Typ.) @  $V_{GS} = 4.5V$
- Super High Dense Cell Design
- Reliable and Rugged
- Lead Free and Green Available

## Applications

- SMPS

## Pin Description



## Absolute Maximum Ratings

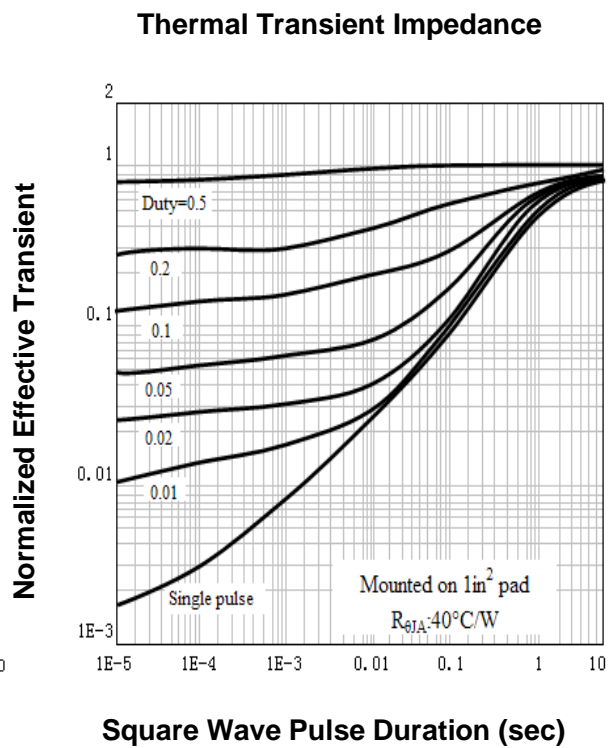
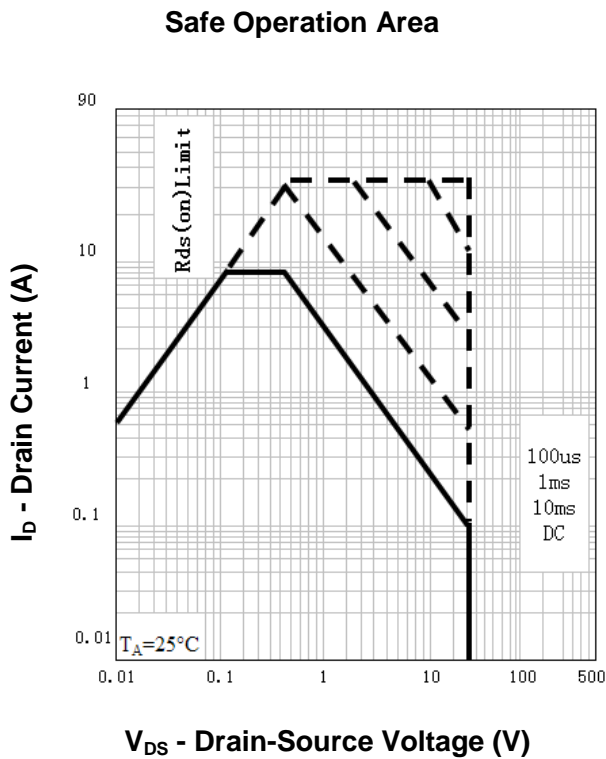
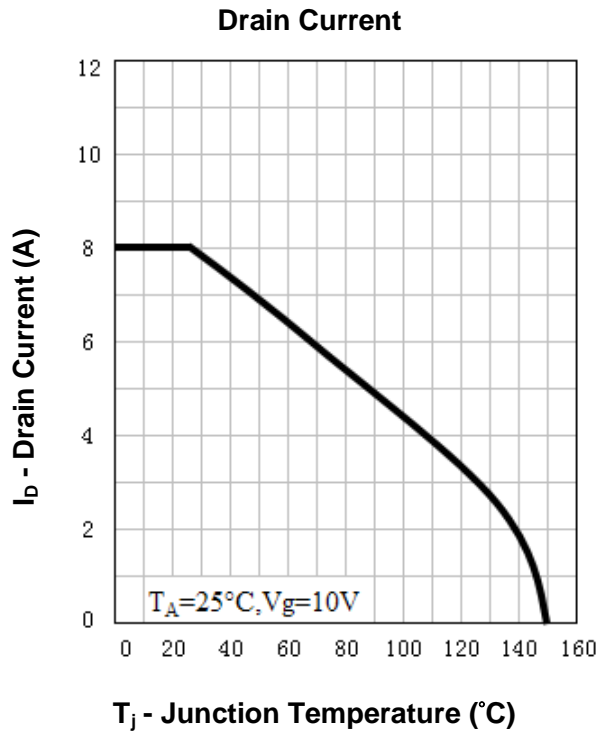
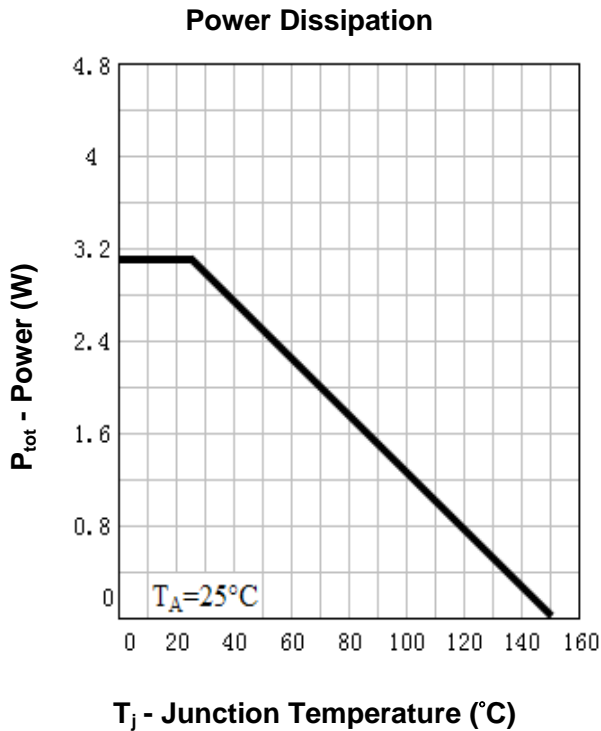
Symbol	Parameter	Rating	Unit
<b>Common Ratings</b> ( $T_A = 25^\circ C$ Unless Otherwise Noted)			
$V_{DSS}$	Drain-Source Voltage	30	V
$V_{GSS}$	Gate-Source Voltage	$\pm 20$	
$T_J$	Maximum Junction Temperature	150	$^\circ C$
$T_{STG}$	Storage Temperature Range	-55 to 150	$^\circ C$
$I_S$	Diode Continuous Forward Current	$T_A = 25^\circ C$ 4	A
<b>Mounted on Large Heat Sink</b>			
$I_{DP}$	300 $\mu s$ Pulse Drain Current Tested	$T_A = 25^\circ C$ 32 <sup>①</sup>	A
$I_D$	Continuous Drain Current ( $V_{GS} = 10V$ )	$T_A = 25^\circ C$	A
		$T_A = 70^\circ C$	
$P_D$	Maximum Power Dissipation	$T_A = 25^\circ C$	W
		$T_A = 70^\circ C$	
$R_{\theta JA}$ <sup>②</sup>	Thermal Resistance-Junction to Ambient	40	$^\circ C/W$

**Electrical Characteristics** ( $T_A=25^\circ\text{C}$  Unless Otherwise Noted)

Symbol	Parameter	Test Condition	RU3010H			Unit
			Min.	Typ.	Max.	
<b>Static Characteristics</b>						
$BV_{DSS}$	Drain-Source Breakdown Voltage	$V_{GS}=0V, I_{DS}=250\mu A$	30			V
$I_{DSS}$	Zero Gate Voltage Drain Current	$V_{DS}=30V, V_{GS}=0V$ $T_J=85^\circ\text{C}$			1 30	$\mu A$
$V_{GS(th)}$	Gate Threshold Voltage	$V_{DS}=V_{GS}, I_{DS}=250\mu A$	1	2	3	V
$I_{GSS}$	Gate Leakage Current	$V_{GS}=\pm 20V, V_{DS}=0V$			$\pm 100$	nA
$R_{DS(on)}^{(3)}$	Drain-Source On-state Resistance	$V_{GS}=10V, I_{DS}=8A$		18	30	m $\Omega$
		$V_{GS}=4.5V, I_{DS}=6A$		40	70	m $\Omega$
<b>Diode Characteristics</b>						
$V_{SD}^{(3)}$	Diode Forward Voltage	$I_{SD}=1A, V_{GS}=0V$			1	V
$t_{rr}$	Reverse Recovery Time	$I_{SD}=8A, dI_{SD}/dt=100A/\mu s$		7		ns
$Q_{rr}$	Reverse Recovery Charge			9		nC
<b>Dynamic Characteristics</b> <sup>(4)</sup>						
$R_G$	Gate Resistance	$V_{GS}=0V, V_{DS}=0V, F=1\text{MHz}$		1.2		$\Omega$
$C_{iss}$	Input Capacitance	$V_{GS}=0V,$ $V_{DS}=15V,$ Frequency=1.0MHz		590		pF
$C_{oss}$	Output Capacitance			120		
$C_{rss}$	Reverse Transfer Capacitance			60		
$t_{d(ON)}$	Turn-on Delay Time	$V_{DD}=15V, R_L=2.1\Omega,$ $I_{DS}=8A, V_{GEN}=10V,$ $R_G=6\Omega$		4		ns
$t_r$	Turn-on Rise Time			10		
$t_{d(OFF)}$	Turn-off Delay Time			18		
$t_f$	Turn-off Fall Time			8		
<b>Gate Charge Characteristics</b> <sup>(4)</sup>						
$Q_g$	Total Gate Charge	$V_{DS}=24V, V_{GS}=10V,$ $I_{DS}=8A$		9	12	nC
$Q_{gs}$	Gate-Source Charge			2		
$Q_{gd}$	Gate-Drain Charge			3		

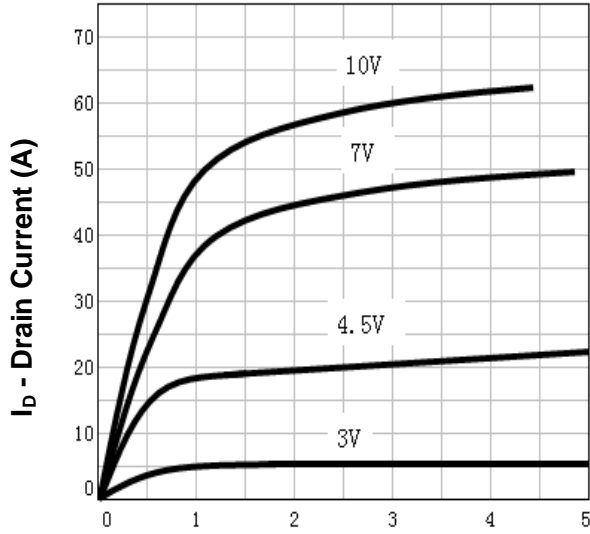
- Notes: ① Pulse width limited by safe operating area.  
 ② When mounted on 1 inch square copper board,  $t \leq 10\text{sec}$ .  
 ③ Pulse test ; Pulse width  $\leq 300\mu s$ , duty cycle  $\leq 2\%$ .  
 ④ Guaranteed by design, not subject to production testing.

**Typical Characteristics**



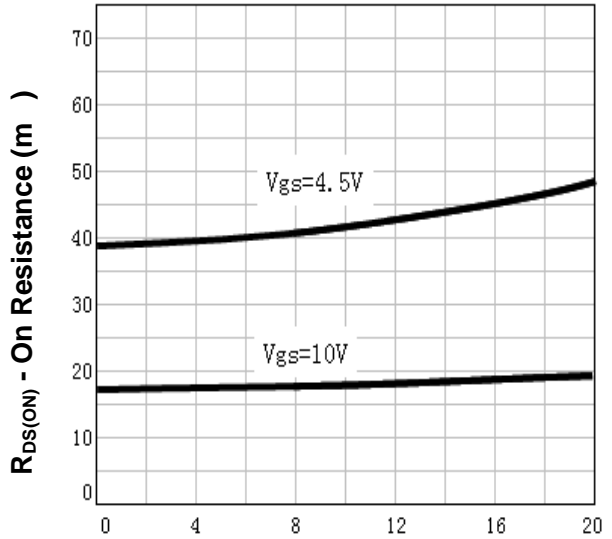
**Typical Characteristics**

**Output Characteristics**



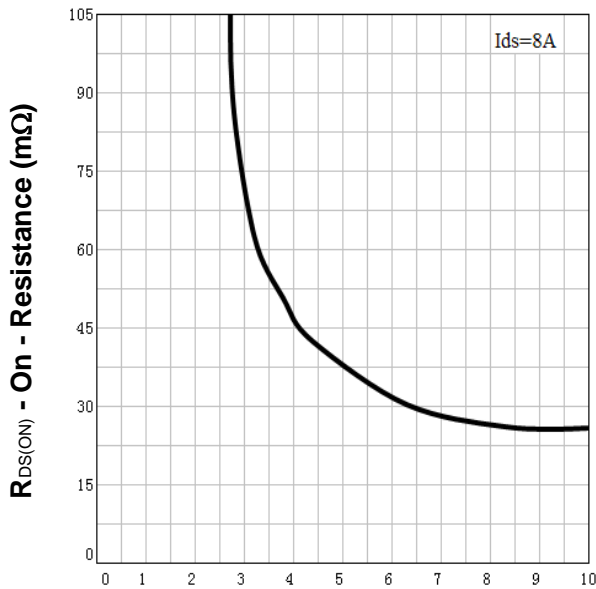
$V_{DS}$  - Drain-Source Voltage (V)

**Drain-Source On Resistance**



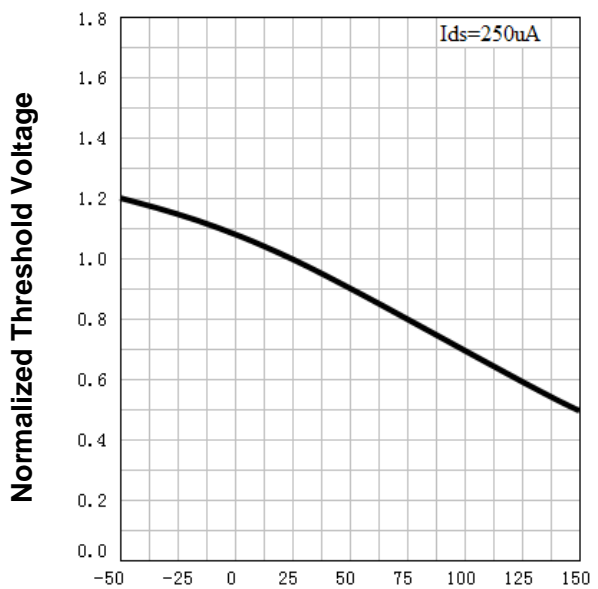
$I_D$  - Drain Current (A)

**Drain-Source On Resistance**



$V_{GS}$  - Gate-Source Voltage (V)

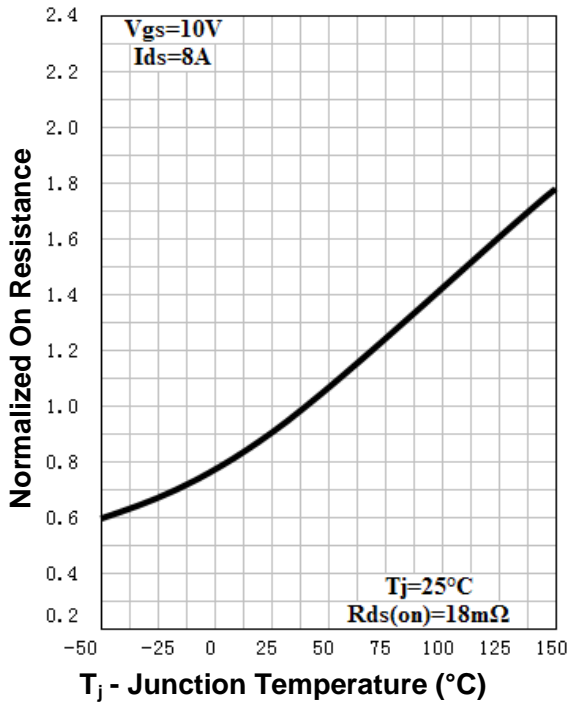
**Gate Threshold Voltage**



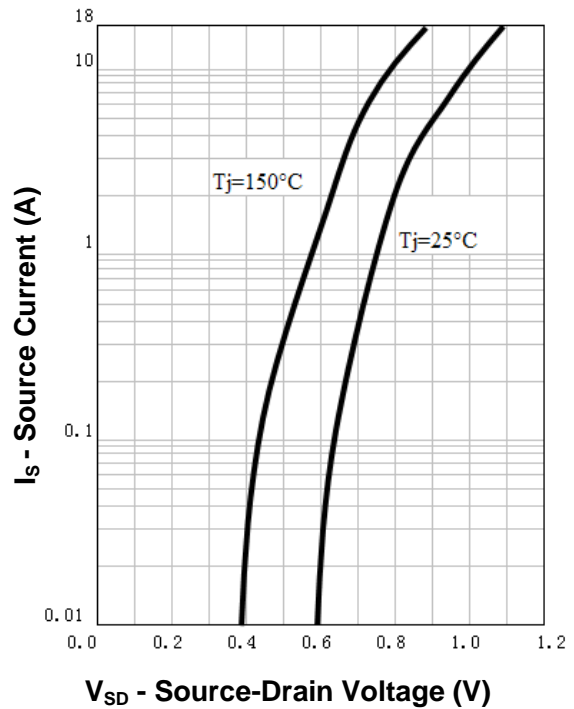
$T_j$  - Junction Temperature (°C)

**Typical Characteristics**

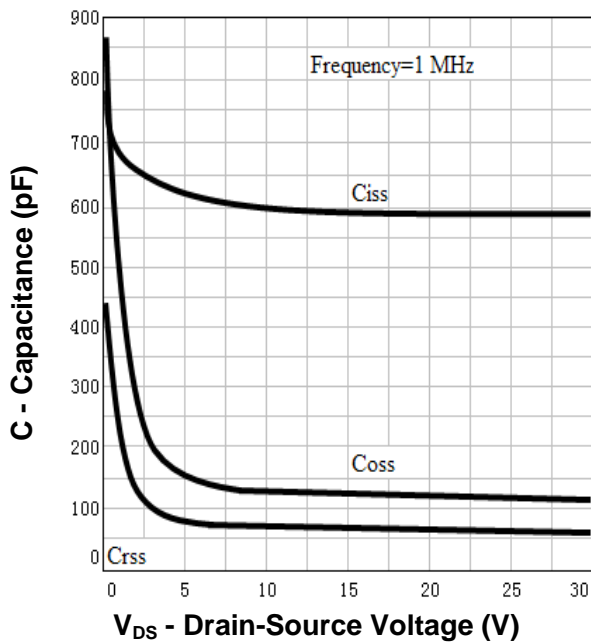
**Drain-Source On Resistance**



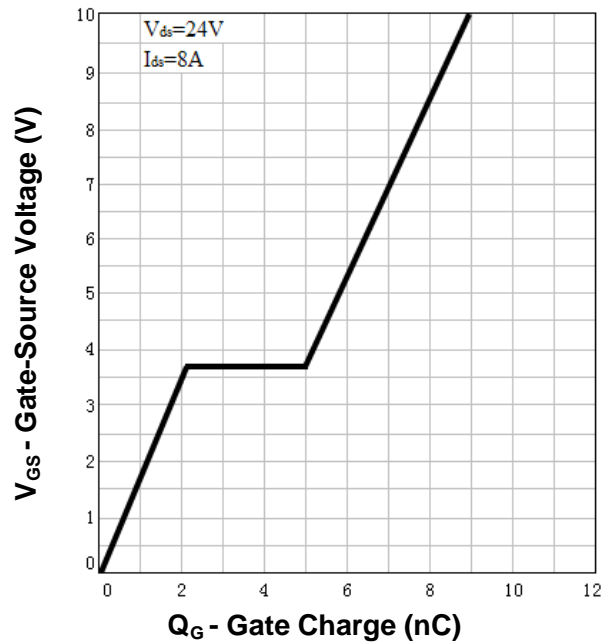
**Source-Drain Diode Forward**



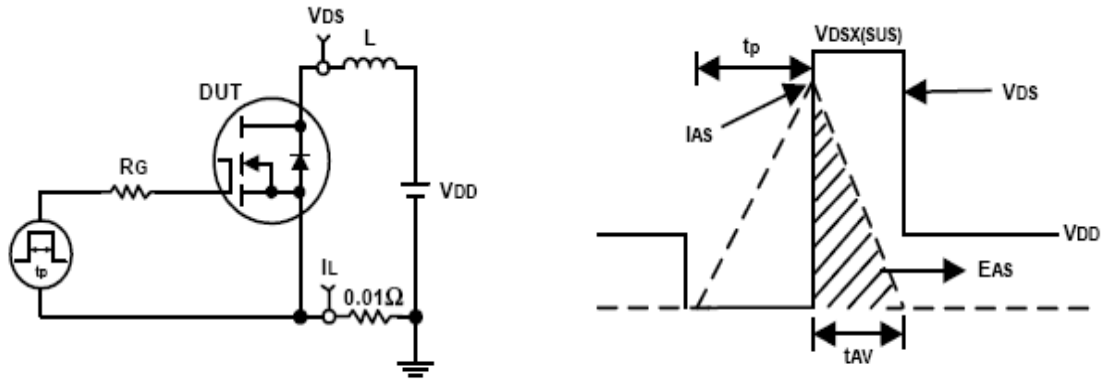
**Capacitance**



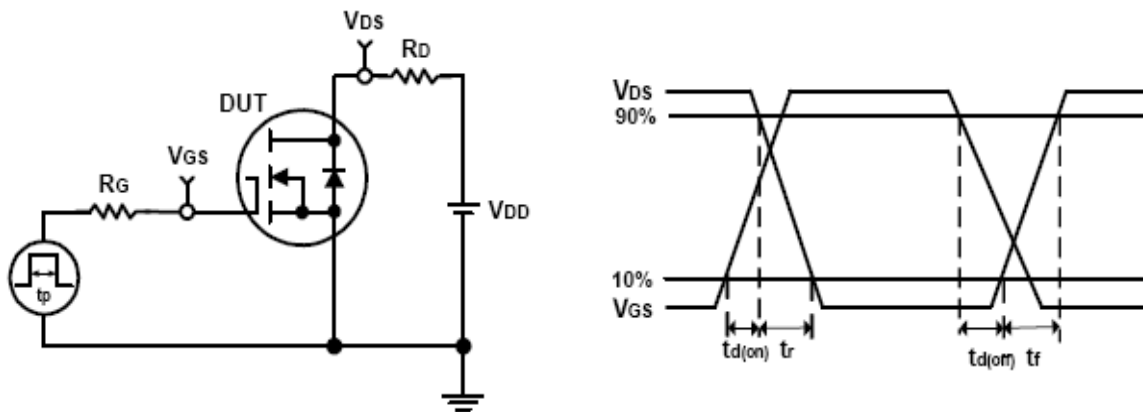
**Gate Charge**



**Avalanche Test Circuit and Waveforms**



**Switching Time Test Circuit and Waveforms**

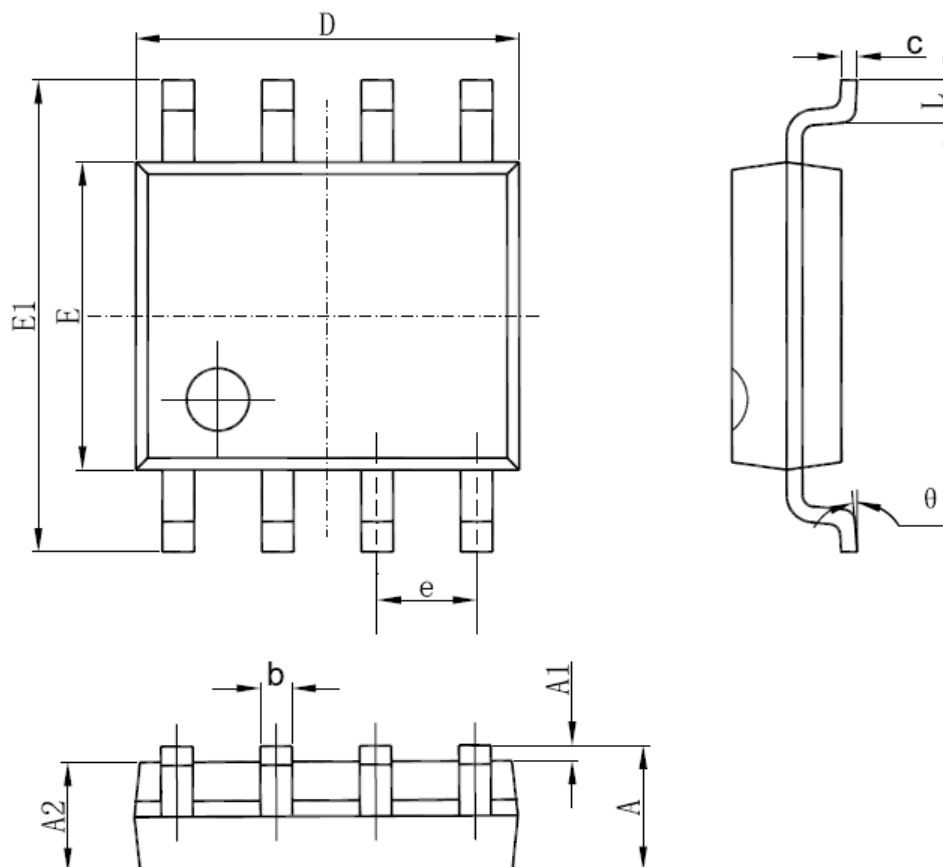


**Ordering and Marking Information**

<b>Device</b>	<b>Marking</b>	<b>Package</b>	<b>Packaging</b>	<b>Quantity</b>	<b>Reel Size</b>	<b>Tape width</b>
RU3010H	RU3010H	SOP-8	Tape&Reel	2500	13''	12mm

**Package Information**

**SOP-8**



SYMBOL	MM		INCH		SYMBOL	MM		INCH	
	MIN	MAX	MIN	MAX		MIN	MAX	MIN	MAX
A	1.350	1.750	0.053	0.069	E	3.800	4.000	0.150	0.157
A1	0.100	0.250	0.004	0.010	E1	5.800	6.200	0.228	0.244
A2	1.350	1.550	0.053	0.061	e	1.270 (BSC)		0.050 (BSC)	
b	0.330	0.510	0.013	0.020	L	0.400	1.270	0.016	0.050
c	0.170	0.250	0.006	0.010	$\theta$	0°	8°	0°	8°
D	4.700	5.100	0.185	0.200					

ALL DIMENSIONS REFER TO JEDEC STANDARD  
DO NOT INCLUDE MOLD FLASH OR PROTRUSIONS



## **Customer Service**

**Worldwide Sales and Service:**

Sales@ruichips.com

**Technical Support:**

Technical@ruichips.com

**Investor Relations Contacts:**

Investor@ruichips.com

**Marcom Contact:**

Marcom@ruichips.com

**Editorial Contact:**

Editorial@ruichips.com

**HR Contact:**

HR@ruichips.com

**Legal Contact:**

Legal@ruichips.com

**Shen Zhen RUICHIPS Semiconductor CO., LTD**

Room 501, the 5floor An Tong Industrial Building,  
NO.207 Mei Hua Road Fu Tian Area Shen Zhen City, CHINA

**TEL:** (86-755) 8311-5334

**FAX:** (86-755) 8311-4278

**E-mail:** Sales-SZ@ruichips.com