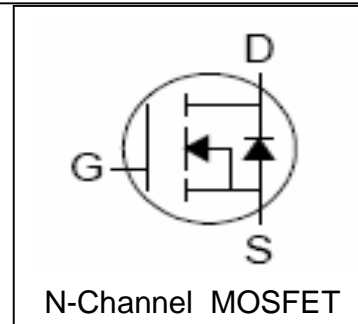
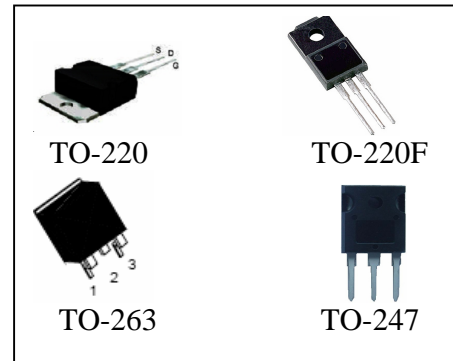


### Features

- 60V/60A,  
 $R_{DS(ON)} = 9m\Omega$  (Type) @  $V_{GS} = 10V, I_{DS} = 30A$
- Ultra Low On-Resistance
- Fast Switching
- 100% avalanche tested
- 175°C Operating Temperature
- Lead Free, RoHS compliant

### Pin Description



### Applications

- Switching Application Systems

### Absolute Maximum Ratings

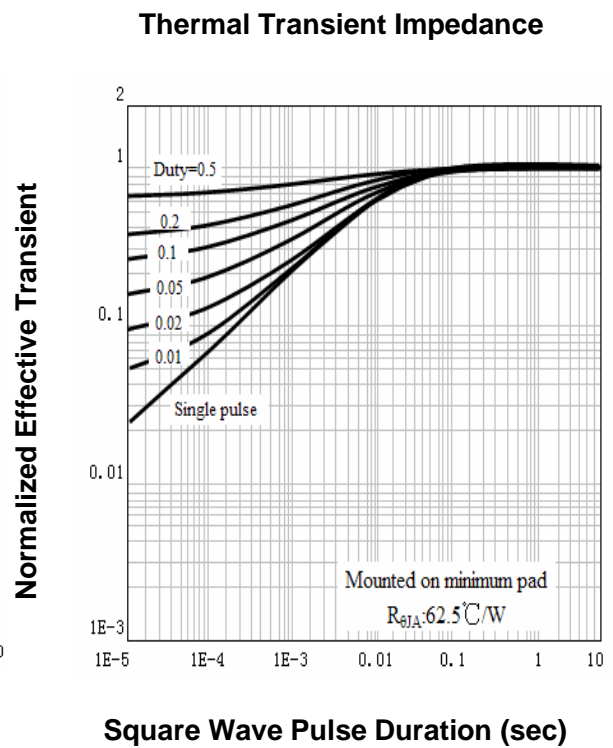
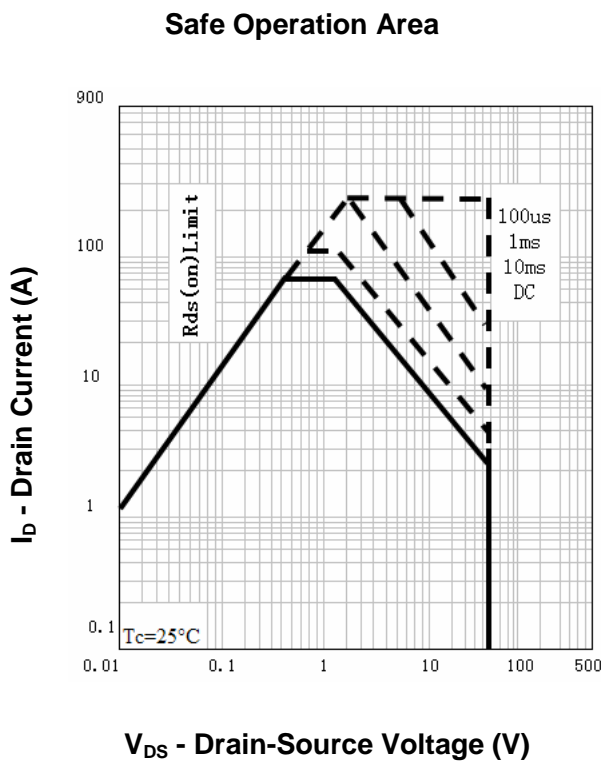
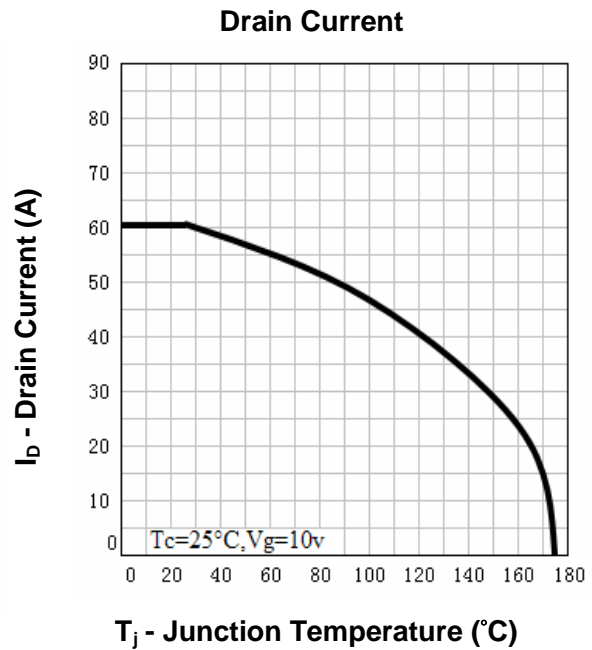
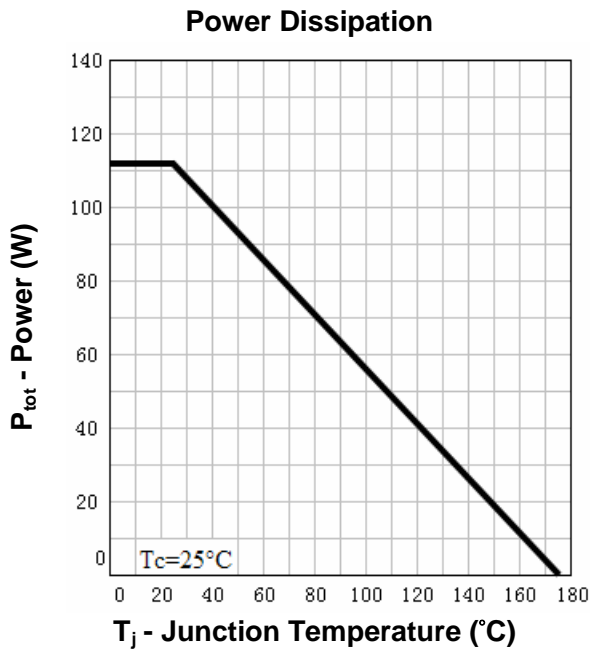
Symbol	Parameter	Rating	Unit
<b>Common Ratings</b> ( $T_A = 25^\circ C$ Unless Otherwise Noted)			
$V_{DSS}$	Drain-Source Voltage	60	V
$V_{GSS}$	Gate-Source Voltage	$\pm 25$	
$T_J$	Maximum Junction Temperature	175	$^\circ C$
$T_{STG}$	Storage Temperature Range	-55 to 175	$^\circ C$
$I_S$	Diode Continuous Forward Current	$T_C = 25^\circ C$ 60	A
<b>Mounted on Large Heat Sink</b>			
$I_{DP}$	300 $\mu s$ Pulse Drain Current Tested	$T_C = 25^\circ C$ 240 <sup>①</sup>	A
$I_D$	Continuous Drain Current	$T_C = 25^\circ C$ 60 <sup>②</sup>	A
		$T_C = 100^\circ C$ 46 <sup>②</sup>	
$P_D$	Maximum Power Dissipation	$T_C = 25^\circ C$ 111	W
		$T_C = 100^\circ C$ 56	
$R_{\theta JC}$	Thermal Resistance-Junction to Case	1.35	$^\circ C/W$
<b>Drain-Source Avalanche Ratings</b>			
$E_{AS}$ <sup>③</sup>	Avalanche Energy, Single Pulsed	324	mJ

**Electrical Characteristics** ( $T_A=25^\circ\text{C}$  Unless Otherwise Noted)

Symbol	Parameter	Test Condition	RU6055R			Unit
			Min.	Typ.	Max.	
<b>Static Characteristics</b>						
$BV_{DSS}$	Drain-Source Breakdown Voltage	$V_{GS}=0V, I_{DS}=250\mu A$	60			V
$I_{DSS}$	Zero Gate Voltage Drain Current	$V_{DS}=60V, V_{GS}=0V$ $T_J=85^\circ\text{C}$			1	$\mu A$
					30	
$V_{GS(th)}$	Gate Threshold Voltage	$V_{DS}=V_{GS}, I_{DS}=250\mu A$	2	3	4	V
$I_{GSS}$	Gate Leakage Current	$V_{GS}=\pm 25V, V_{DS}=0V$			$\pm 100$	nA
$R_{DS(ON)}^{(4)}$	Drain-Source On-state Resistance	$V_{GS}=10V, I_{DS}=30A$		9	12	m $\Omega$
<b>Diode Characteristics</b>						
$V_{SD}^{(4)}$	Diode Forward Voltage	$I_{SD}=30A, V_{GS}=0V$			1.2	V
$t_{rr}$	Reverse Recovery Time	$I_{SD}=30A, di_{SD}/dt=100A/\mu s$		106		ns
$Q_{rr}$	Reverse Recovery Charge			52		nC
<b>Dynamic Characteristics</b> <sup>(5)</sup>						
$R_G$	Gate Resistance	$V_{GS}=0V, V_{DS}=0V, F=1\text{MHz}$		2		$\Omega$
$C_{iss}$	Input Capacitance	$V_{GS}=0V,$ $V_{DS}=30V,$ Frequency=1.0MHz		1800		pF
$C_{oss}$	Output Capacitance			388		
$C_{riss}$	Reverse Transfer Capacitance			105		
$t_{d(ON)}$	Turn-on Delay Time			15		
$t_r$	Turn-on Rise Time	$V_{DD}=30V, R_L=35\Omega,$ $I_{DS}=30A, V_{GEN}=10V,$ $R_G=6\Omega$		94		
$t_{d(OFF)}$	Turn-off Delay Time			46		
$t_f$	Turn-off Fall Time			32		
<b>Gate Charge Characteristics</b> <sup>(5)</sup>						
$Q_g$	Total Gate Charge	$V_{DS}=48V, V_{GS}=10V,$ $I_{DS}=30A$		50	65	nC
$Q_{gs}$	Gate-Source Charge			12		
$Q_{gd}$	Gate-Drain Charge			19		

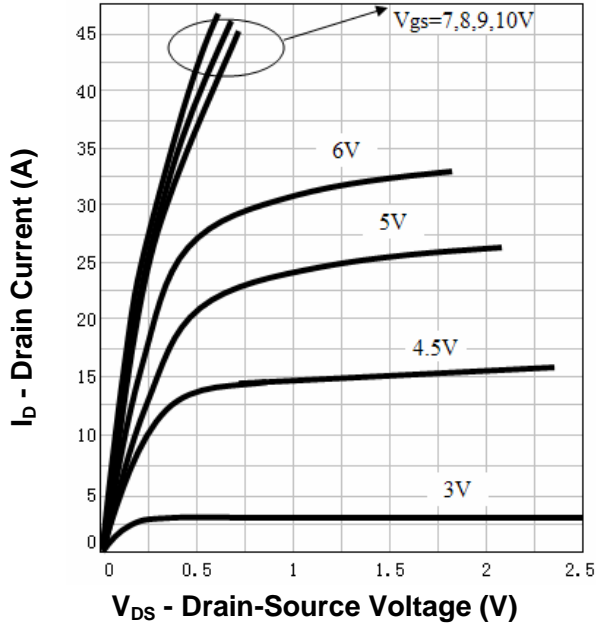
- Notes:
- ① Pulse width limited by safe operating area.
  - ② Calculated continuous current based on maximum allowable junction temperature. Current limited by bond wire.
  - ③ Limited by  $T_{Jmax}, I_{AS}=36A, V_{DD}=48V, R_G=47\Omega$ , Starting  $T_J=25^\circ\text{C}$ .
  - ④ Pulse test; Pulse width  $\leq 300\mu s$ , duty cycle  $\leq 2\%$ .
  - ⑤ Guaranteed by design, not subject to production testing.

**Typical Characteristics**

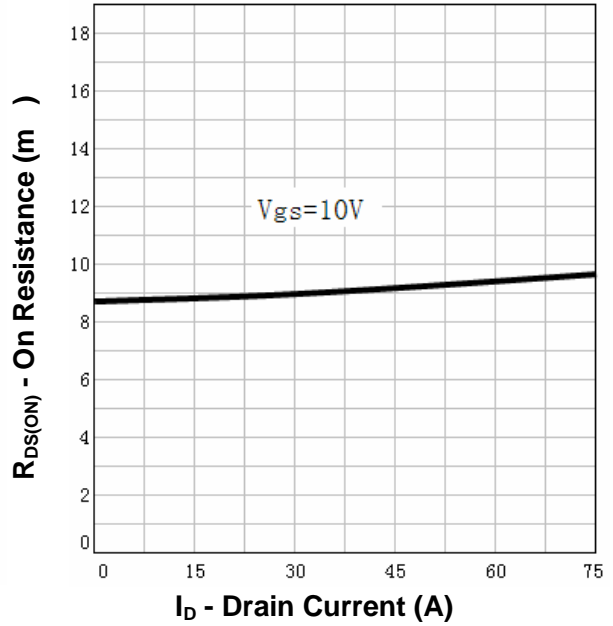


**Typical Characteristics**

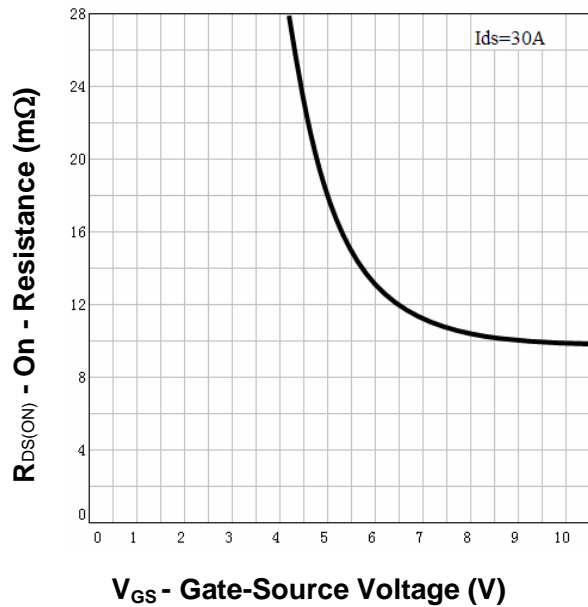
**Output Characteristics**



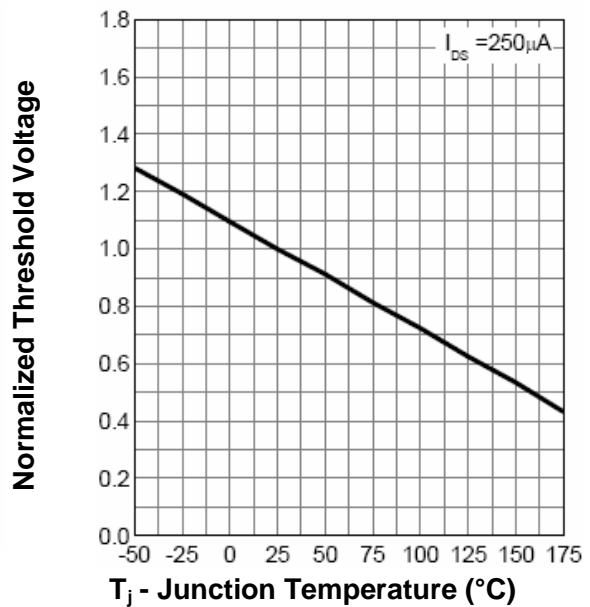
**Drain-Source On Resistance**



**Drain-Source On Resistance**

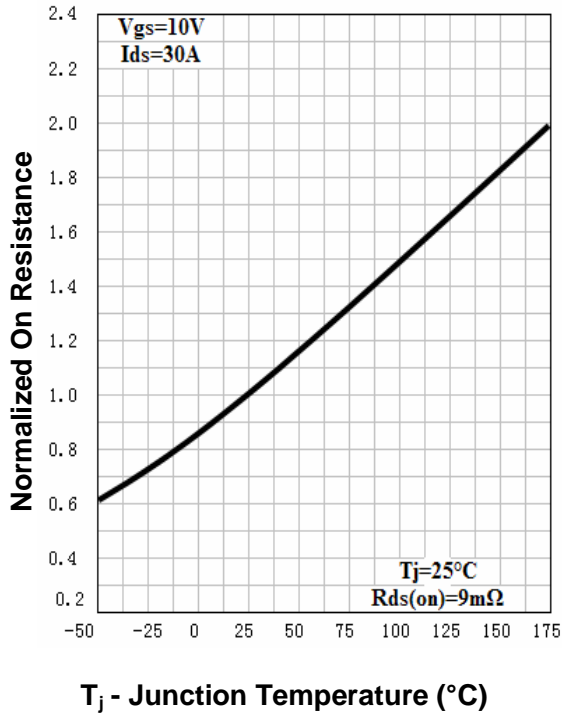


**Gate Threshold Voltage**

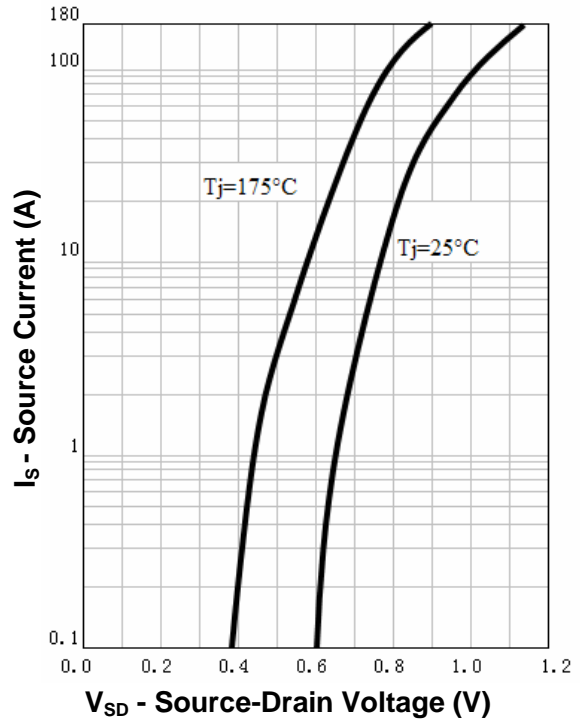


**Typical Characteristics**

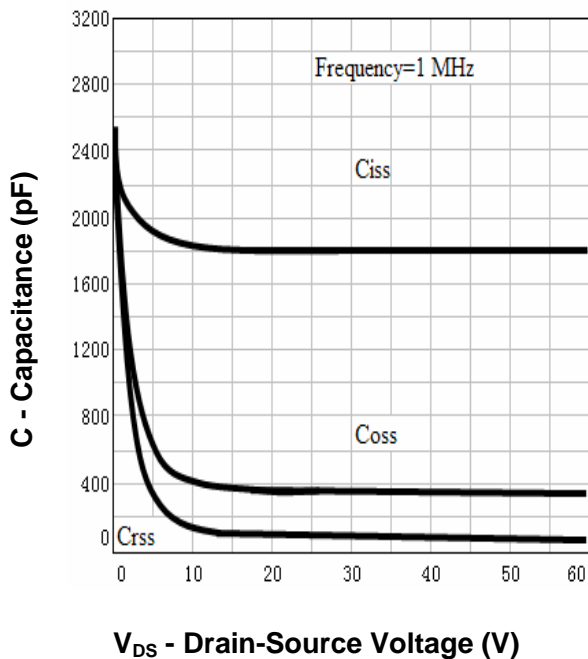
**Drain-Source On Resistance**



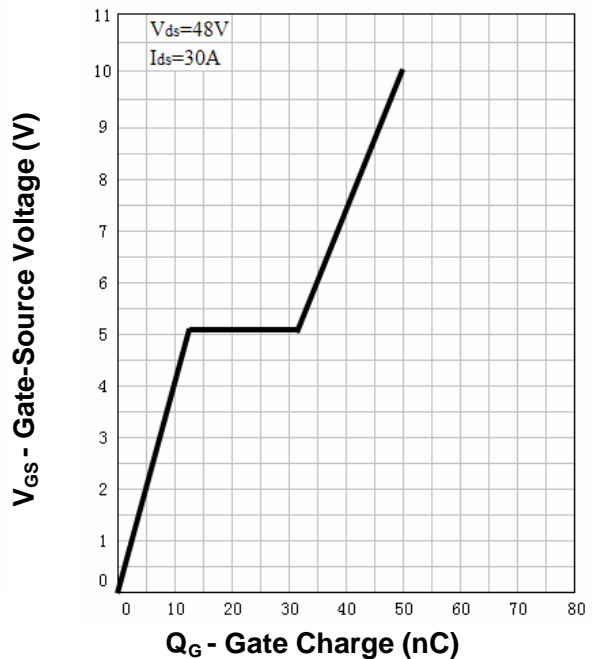
**Source-Drain Diode Forward**



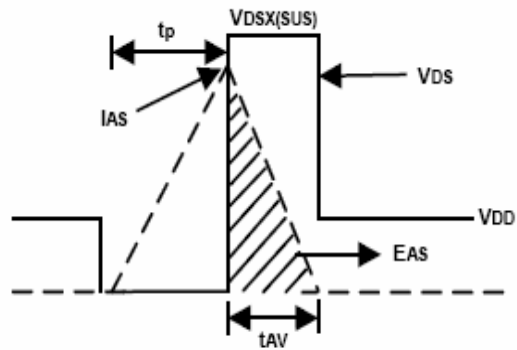
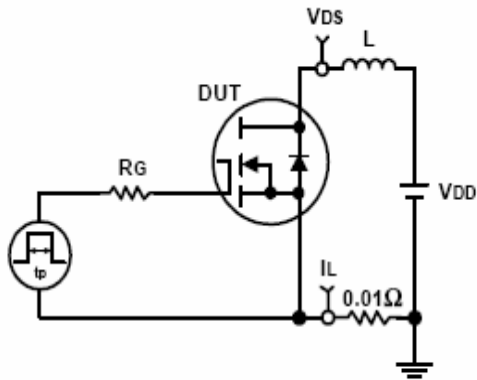
**Capacitance**



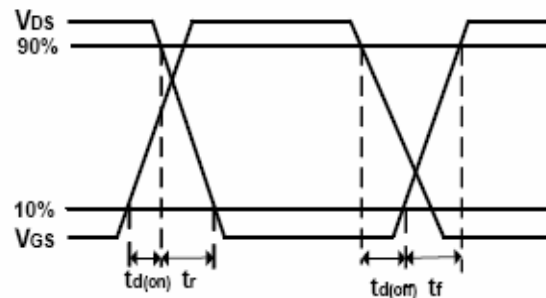
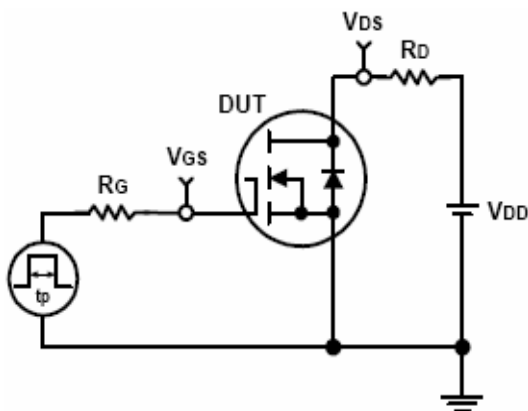
**Gate Charge**



**Avalanche Test Circuit and Waveforms**



**Switching Time Test Circuit and Waveforms**



**Ordering and Marking Information****RU6055****Package (Available)**

R : TO-220; S: TO-263 ; P: TO-220F ; Q:TO-247

**Operating Temperature Range**

C : -55 to 175 °C

**Assembly Material**

G : Green & Lead Free

**Packaging**

T : TUBE

TR : Tape & Reel

**Package Information**

**TO-220FB-3L**

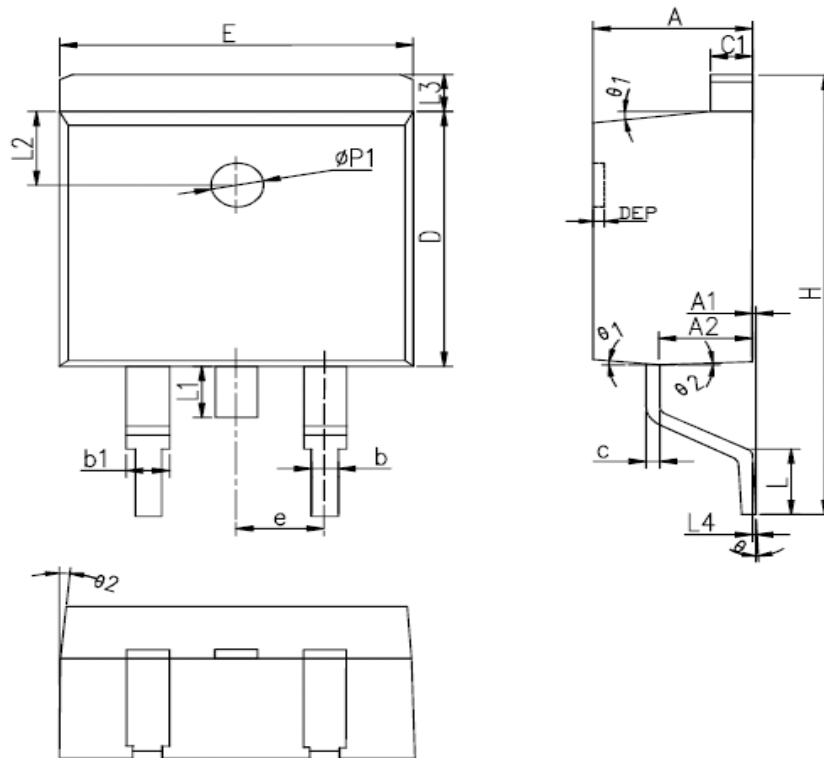


SYMBOL	MM			INCH			SYMBOL	MM			INCH		
	MIN	NOM	MAX	MIN	NOM	MAX		MIN	NOM	MAX	MIN	NOM	MAX
A	4.40	4.57	4.70	0.173	0.180	0.185	$\phi p1$	1.40	1.50	1.60	0.055	0.059	0.063
A1	1.27	1.30	1.33	0.050	0.051	0.052	e	2.54BSC			0.1BSC		
A2	2.35	2.40	2.50	0.093	0.094	0.098	e1	5.08BSC			0.2BSC		
b	0.77	-	0.90	0.030	-	0.035	H1	6.40	6.50	6.60	0.252	0.256	0.260
b2	1.23	-	1.36	0.048	-	0.054	L	12.75	-	13.17	0.502	-	0.519
C	0.48	0.50	0.52	0.019	0.020	0.021	L1	-	-	3.95	-	-	0.156
D	15.40	15.60	15.80	0.606	0.614	0.622	L2	2.50REF.			0.098REF.		
D1	9.00	9.10	9.20	0.354	0.358	0.362	$\phi p$	3.57	3.60	3.63	0.141	0.142	0.143
DEP	0.05	0.10	0.20	0.002	0.004	0.008	Q	2.73	2.80	2.87	0.107	0.110	0.113
E	9.70	9.90	10.10	0.382	0.389	0.398	$\theta 1$	5°	7°	9°	5°	7°	9°
E1	-	8.70	-	-	0.343	-	$\theta 2$	1°	3°	5°	1°	3°	5°
E2	9.80	10.00	10.20	0.386	0.394	0.401							

ALL DIMENSIONS REFER TO JEDEC STANDARD  
DO NOT INCLUDE MOLD FLASH OR PROTRUSIONS



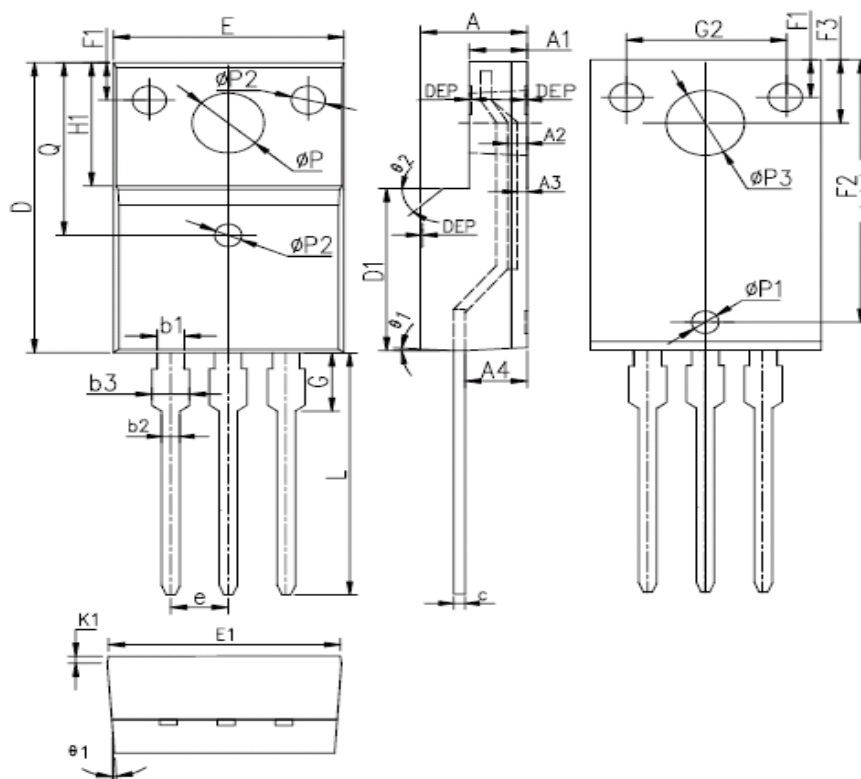
**TO-263-2L**



SYMBOL	MM			INCH			SYMBOL	MM			INCH		
	MIN	NOM	MAX	MIN	NOM	MAX		MIN	NOM	MAX	MIN	NOM	MAX
A	4.40	4.57	4.70	0.173	0.180	0.185	L	2.00	2.30	2.60	0.079	0.090	0.102
A1	0	0.10	0.25	0	0.004	0.010	L3	1.17	1.27	1.40	0.046	0.050	0.055
A2	2.59	2.69	2.79	0.102	0.106	0.110	L1	-	-	1.70	-	-	0.067
b	0.77	-	0.90	0.030	-	0.035	L4	0.25BSC			0.01BSC		
b1	1.23	-	1.36	0.048	-	0.052	L2	2.50REF.			0.098REF.		
c	0.34	-	0.47	0.013	-	0.019	θ	0°	-	8°	0°	-	8°
C1	1.22	-	1.32	0.048	-	0.052	θ 1	5°	7°	9°	5°	7°	9°
D	8.60	8.70	8.80	0.338	0.343	0.346	θ 2	1°	3°	5°	1°	3°	5°
E	10.00	10.16	10.26	0.394	0.4	0.404	DEP	0.05	0.10	0.20	0.002	0.004	0.008
e	2.54BSC			0.1BSC			Øp1	1.40	1.50	1.60	0.055	0.059	0.063
H	14.70	15.10	15.50	0.579	0.594	0.610							

**ALL DIMENSIONS REFER TO JEDEC STANDARD  
DO NOT INCLUDE MOLD FLASH OR PROTRUSIONS**

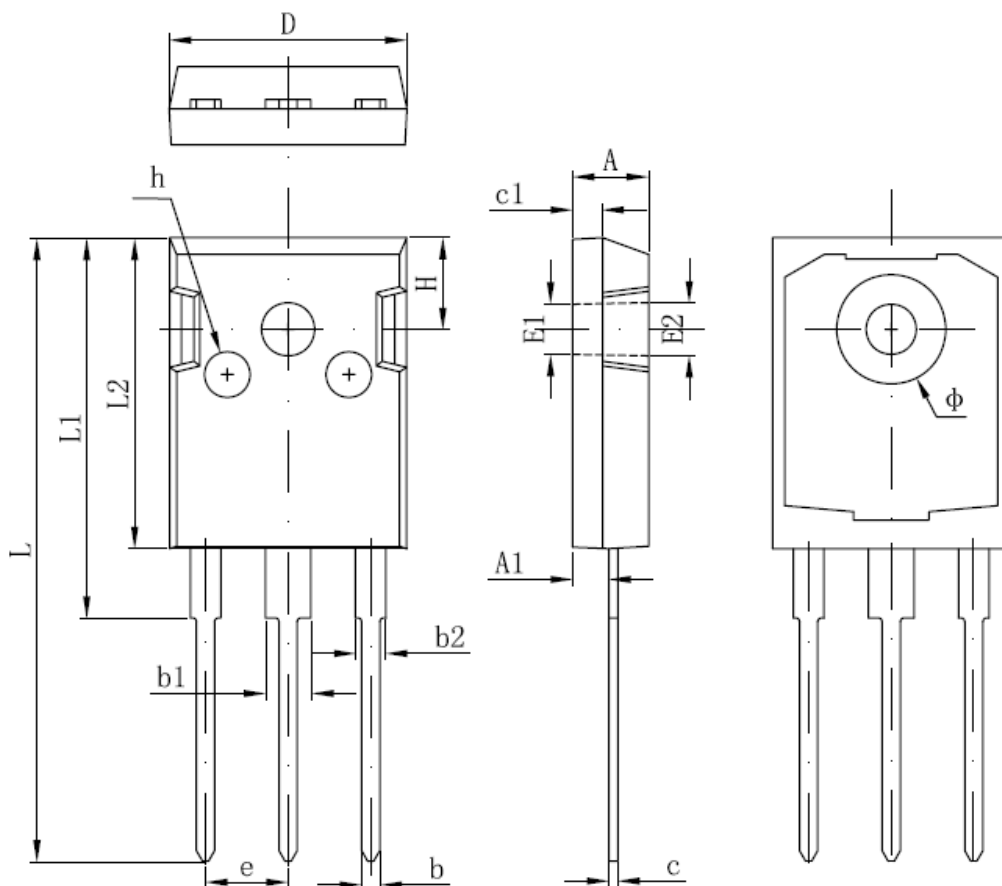
**TO-220F-3L**



SYMBOL	MM			INCH			SYMBOL	MM			INCH		
	MIN	NOM	MAX	MIN	NOM	MAX		MIN	NOM	MAX	MIN	NOM	MAX
E	9.96	10.16	10.36	0.392	0.400	0.408	Øp3	-	3.450	-	-	0.136	-
A	4.50	4.70	4.90	0.177	0.185	0.193	θ 1	5°	7°	9°	5°	7°	9°
A1	2.34	2.54	2.74	0.092	0.100	0.108	θ 2	-	45°	-	-	45°	-
A2	0.95	1.05	1.15	0.037	0.041	0.045	DEP	0.05	0.10	0.15	0.002	0.004	0.006
A3	0.42	0.52	0.62	0.017	0.020	0.024	F1	1.90	2.00	2.10	0.075	0.079	0.083
A4	2.65	2.75	2.85	0.104	0.108	0.112	F2	13.61	13.81	14.01	0.536	0.544	0.552
c	-	0.50	-	-	0.020	-	F3	3.20	3.30	3.40	0.126	0.130	0.134
D	15.67	15.87	16.07	0.617	0.625	0.633	G	3.25	3.45	3.65	0.128	0.136	0.144
Q	8.80	9.00	9.20	0.346	0.354	0.362	G1	5.90	6.00	6.10	0.232	0.236	0.240
H1	6.48	6.68	6.88	0.255	0.263	0.271	G2	6.90	7.00	7.10	0.272	0.276	0.280
e	2.54BSC			0.1BSC			b1	1.17	1.20	1.24	0.046	0.047	0.048
Øp	-	3.183	-	-	0.125	-	b2	0.77	0.8	0.85	0.030	0.031	0.033
L	12.78	12.98	13.18	0.503	0.511	0.519	b3	1.10	1.30	1.50	0.043	0.051	0.059
D1	8.99	9.19	9.39	0.354	0.362	0.370	E1	9.8	10.00	10.20	0.386	0.394	0.412
Øp1	1.40	1.50	1.60	0.055	0.059	0.063	K1	0.75	0.8	0.85	0.030	0.031	0.033
Øp2	1.15	1.20	1.25	0.045	0.047	0.049							

**ALL DIMENSIONS REFER TO JEDEC STANDARD  
DO NOT INCLUDE MOLD FLASH OR PROTRUSIONS**

**TO-247**



SYMBOL	MM		INCH		SYMBOL	MM		INCH	
	MIN	MAX	MIN	MAX		MIN	MAX	MIN	MAX
A	4.850	5.150	0,191	0.200	E2	3.600 REF		0.142 REF	
A1	2.200	2.600	0.087	0.102	L	40.900	41.300	1.610	1.626
B	1.000	1.400	0.039	0.055	L1	24.800	25.100	0.976	0.988
b1	2.800	3.200	0.110	0.126	L2	20.300	20.600	0.799	0.811
b2	1.800	2.200	0.071	0.087	$\Phi$	7.100	7.300	0.280	0.287
c	0.500	0.700	0.020	0.028	e	5.450 TYP		0.215 TYP	
c1	1.900	2.100	0.075	0.083	H	5.980 REF.		0.235 REF.	
D	15.450	15.750	0.608	0.620	h	0.000	0.300	0.000	0.012
E1	3.500 REF.		0.138 REF.						

**ALL DIMENSIONS REFER TO JEDEC STANDARD  
DO NOT INCLUDE MOLD FLASH OR PROTRUSIONS**

## **Customer Service**

**Worldwide Sales and Service:**

Sales@ruichips.com

**Technical Support:**

Technical@ruichips.com

**Investor Relations Contacts:**

Investor@ruichips.com

**Marcom Contact:**

Marcom@ruichips.com

**Editorial Contact:**

Editorial@ruichips.com

**HR Contact:**

HR@ruichips.com

**Legal Contact:**

Legal@ruichips.com

**Shen Zhen RUICHIPS Semiconductor CO., LTD**

Room 501, the 5floor An Tong Industrial Building,  
NO.207 Mei Hua Road Fu Tian Area Shen Zhen City, CHINA

**TEL:** (86-755) 8311-5334

**FAX:** (86-755) 8311-4278

**E-mail:** Sales-SZ@ruichips.com