

Tyco / Electronics
Raychem Circuit Protection
 308 Constitution Drive
 Menlo Park, CA 94025-1164
 Phone: 800-227-4856
 Fax: 800-227-4866

PolySwitch®
PTC Devices
 Overcurrent Protection Device

PRODUCT: RUE300

DOCUMENT: SCD 22054
 PCN: 242761
 REV LETTER: N
 REV DATE: JUNE 23, 2004
 PAGE NO.: 1 OF 1

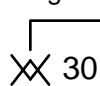
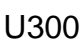
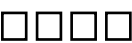
Specification Status: RELEASED

Maximum Electrical Rating at 20°C

30 V_{DC} / 100 A_{DC}
30 V_{AC} / 70 A_{RMS}

Insulating Material:
 Cured, Flame Retardant Epoxy Polymer
 meets UL94 V-0 Requirements

Lead Material:
 20 AWG Tin/Lead Plated Copper

Marking:
 Raychem Logo and Voltage
 U300 Part Identification
 Lot Identification (can be on back)

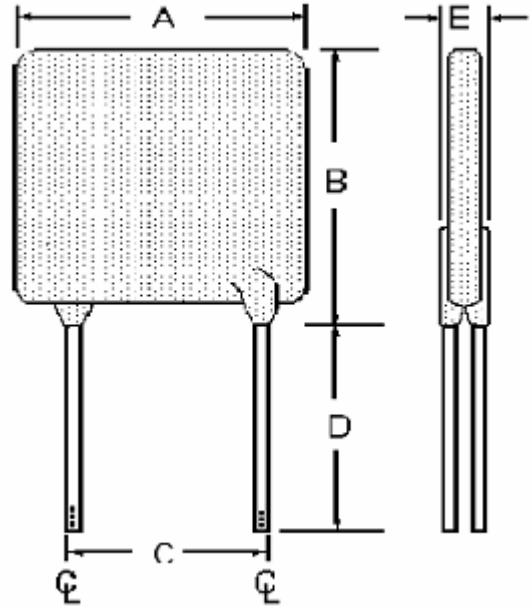


TABLE I. DIMENSIONS:

	A		B		C		D		E	
	MIN	MAX	MIN	MAX	MIN	MAX	MIN	MAX	MIN	MAX
mm:	--	11.4	--	16.5	4.3	5.8	7.6	--	--	3.0
in*:	--	(0.45)	--	(0.65)	(0.17)	(0.23)	(0.30)	--	--	(0.12)

*Rounded off approximation

TABLE II. PERFORMANCE RATINGS:

I HOLD	CURRENT RATINGS		TIME TO TRIP	RESISTANCE		ONE-HOUR POST-TRIP RESISTANCE STANDARD TRIP	NOMINAL TRIPPED POWER DISSIPATION
	AMPS 20°C HOLD	AMPS AT 20°C HOLD TRIP	SECONDS AT 20°C, 15.0A MAX	OHMS AT 20.0° C MIN	OHMS AT 20.0° C MAX	OHMS AT 20°C MAX	WATTS AT 20°C
3.00	3.00	6.00	10.8	0.02	0.05	0.08	2.0

Recognitions: UL, CSA, TUV
 Reference Documents: PS300
 Precedence: This specification takes precedence over documents referenced herein.
 Effectivity: Reference documents shall be the issue in effect on the date of invitation for bid.
 CAUTION: Operation beyond the rated voltage or current may result in rupture, electrical arcing or flame.